



US00D556693S

(12) **United States Design Patent**
Montena

(10) **Patent No.:** **US D556,693 S**

(45) **Date of Patent:** **** Dec. 4, 2007**

(54) **COAXIAL CABLE CONNECTOR**

(75) Inventor: **Noah Montena**, Syracuse, NY (US)

(73) Assignee: **John Mezzalingua Associates, Inc.**,
East Syracuse, NY (US)

(**) Term: **14 Years**

(21) Appl. No.: **29/243,965**

(22) Filed: **Dec. 2, 2005**

(51) **LOC (8) Cl.** **13-03**

(52) **U.S. Cl.** **D13/151; D13/133**

(58) **Field of Classification Search** D13/133,
D13/151, 154, 184, 199; 174/75 C; 439/91,
439/578, 583-585, 805

See application file for complete search history.

(56) **References Cited**

U.S. PATENT DOCUMENTS

D461,778 S *	8/2002	Fox	D13/151
D468,696 S *	1/2003	Montena	D13/151
D475,977 S *	6/2003	Montena	D13/151
D511,498 S *	11/2005	Holliday	D13/151

7,063,565 B2 * 6/2006 Ward 439/578
2006/0172571 A1 * 8/2006 Montena 439/91

* cited by examiner

Primary Examiner—Daniel Bui

(74) *Attorney, Agent, or Firm*—Christopher R. Pastel; Pastel Law Firm

(57) **CLAIM**

The ornamental design for a coaxial cable connector, as shown and described.

DESCRIPTION

FIG. 1 is a top, front, and right perspective view of a coaxial cable connector showing my new design;

FIG. 2 is a front elevation view thereof;

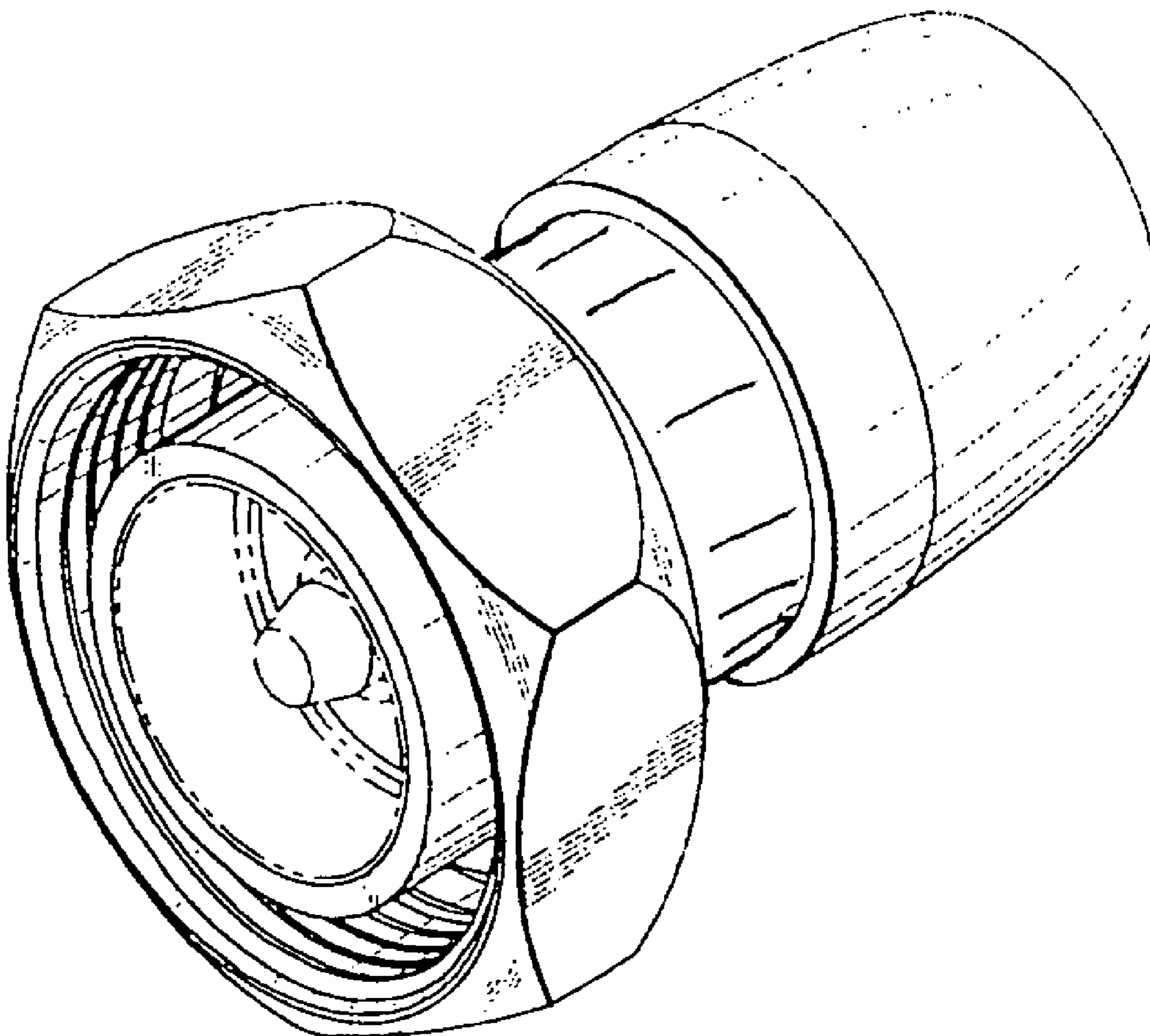
FIG. 3 is a left side elevation view thereof;

FIG. 4 is a right side elevation view thereof; and,

FIG. 5 is a rear elevation view thereof.

The broken line showing of the environment is for illustrative purposes only and forms no part of the claimed design.

1 Claim, 1 Drawing Sheet



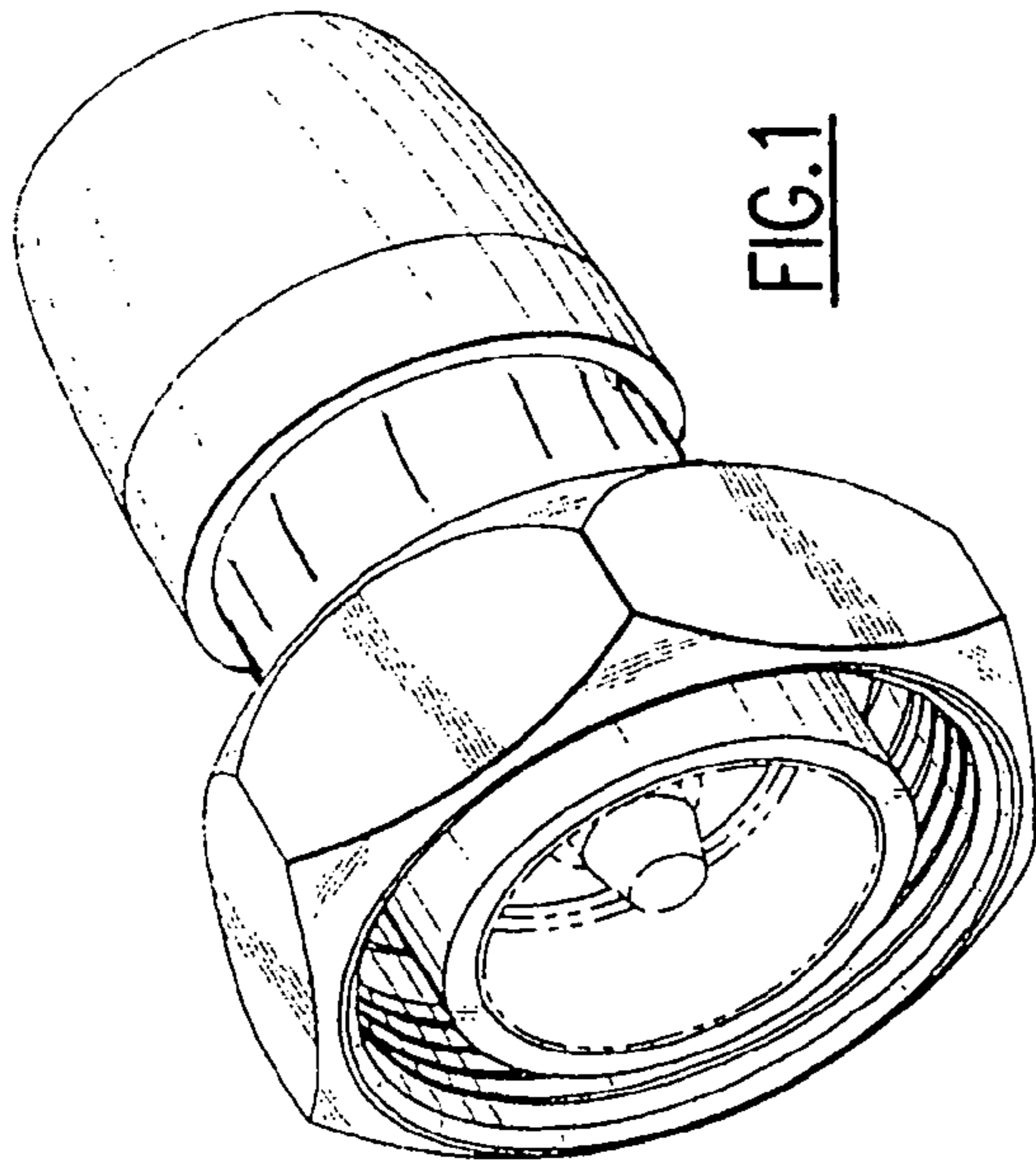


FIG. 1

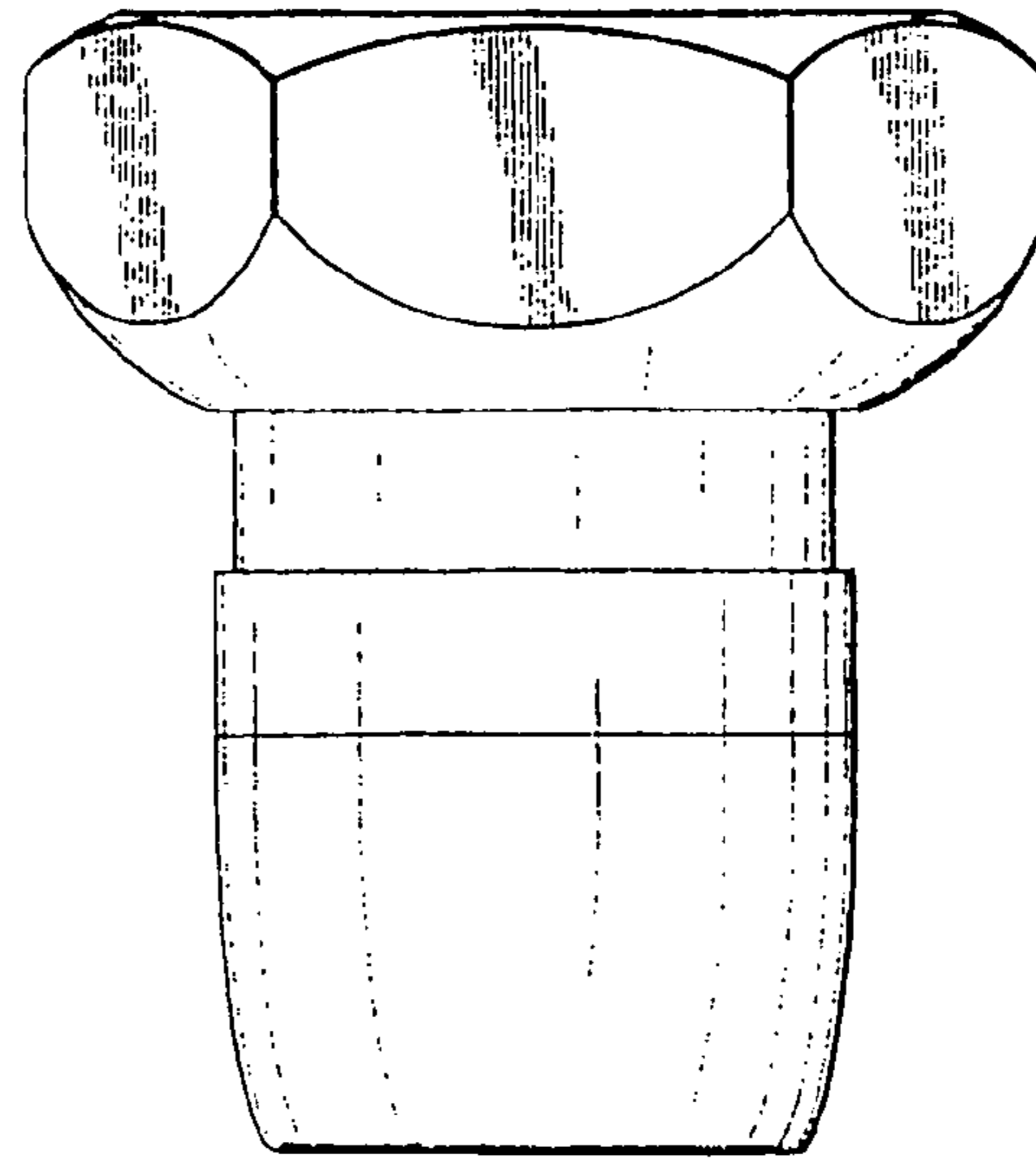


FIG. 3

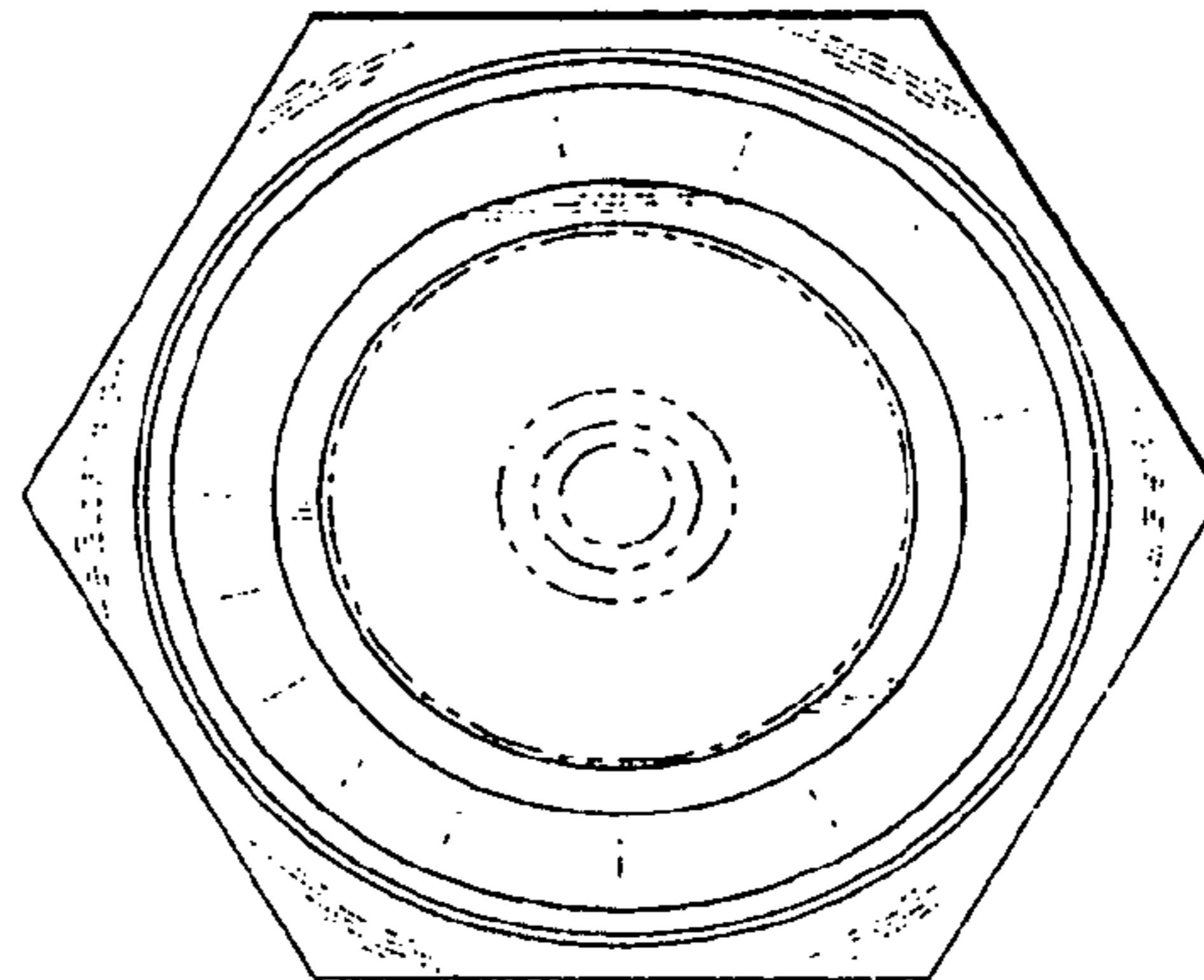


FIG. 2

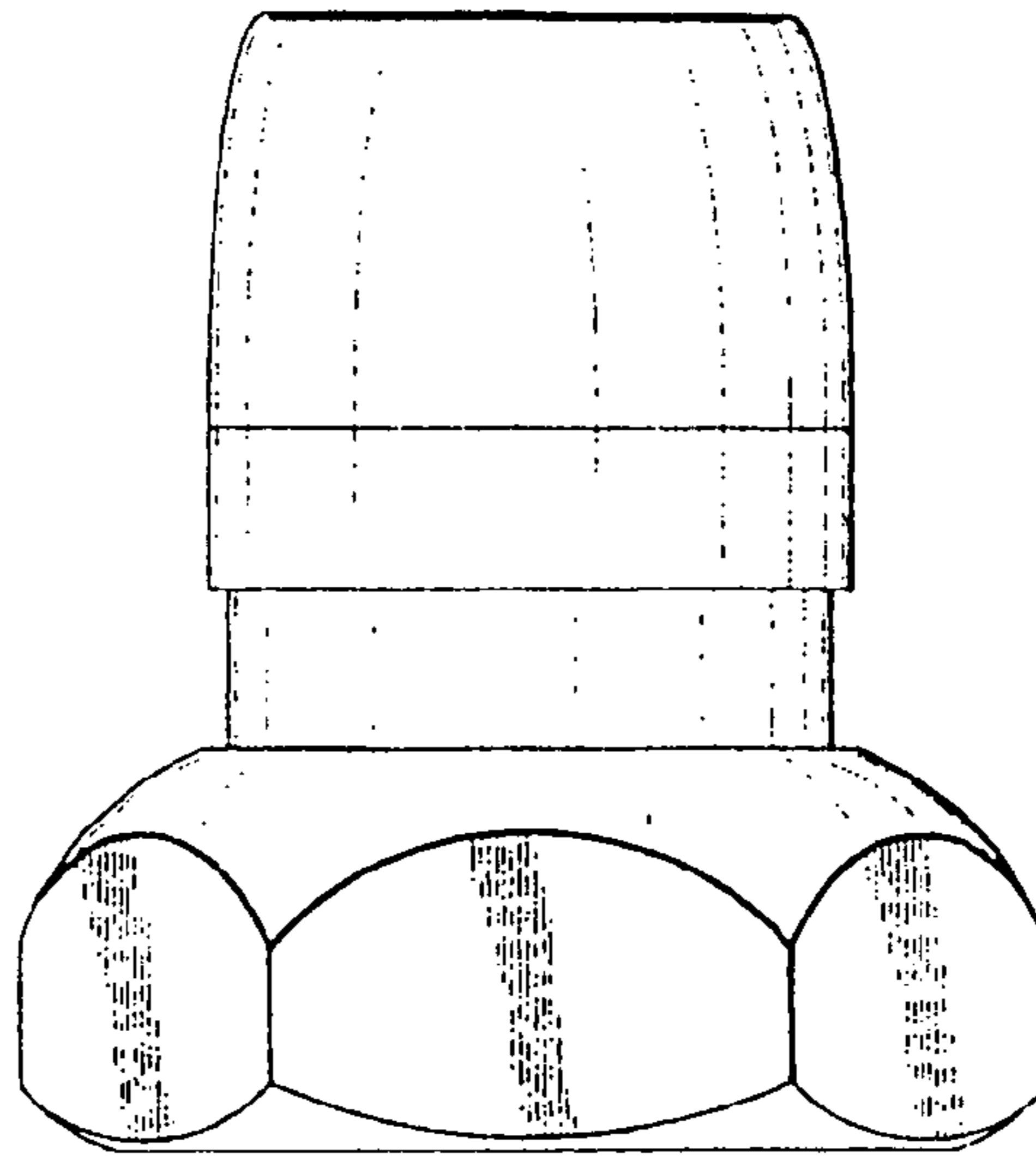


FIG. 4

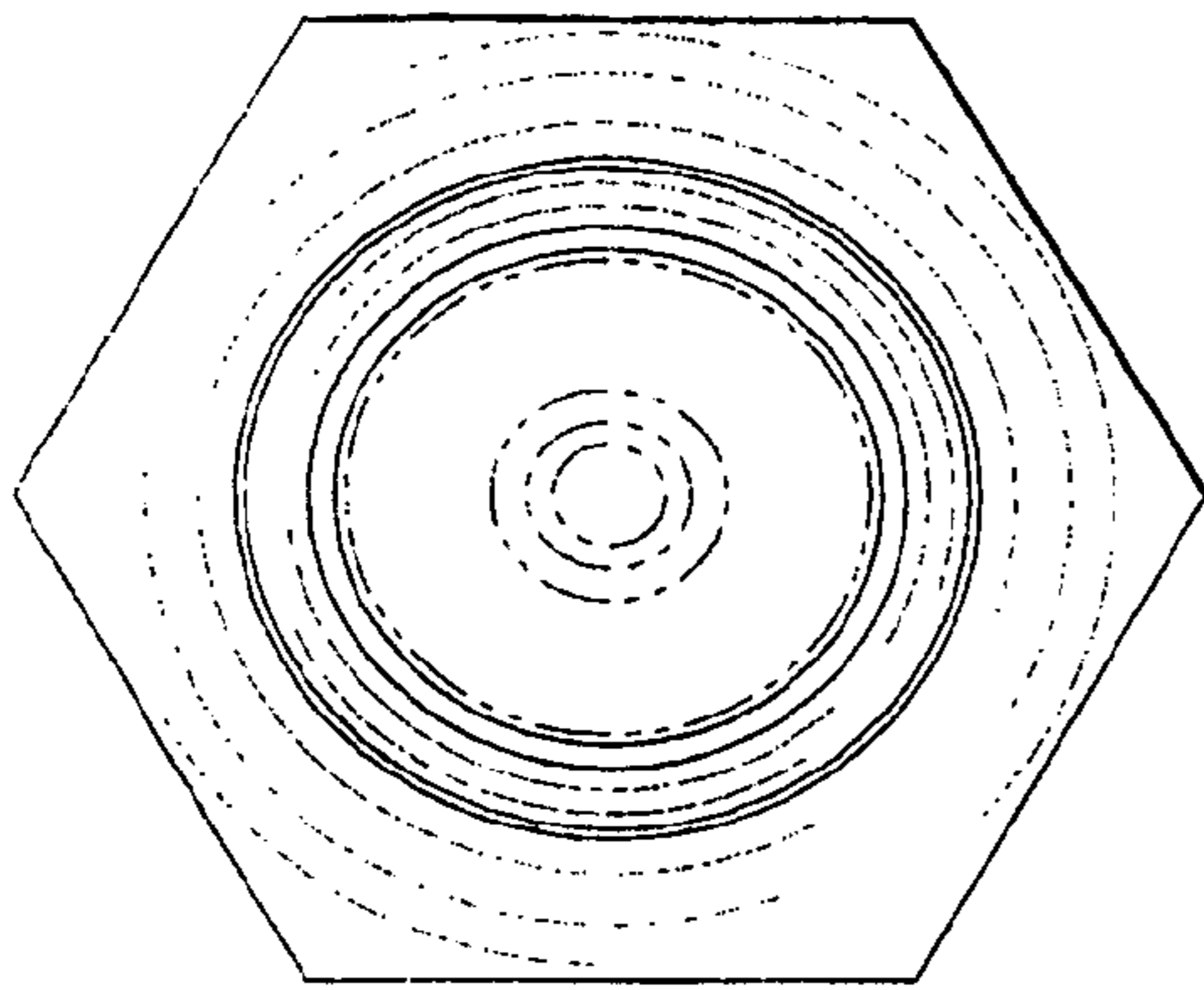


FIG. 5