



US00D556690S

(12) **United States Design Patent**
Ikegami

(10) **Patent No.:** **US D556,690 S**

(45) **Date of Patent:** **** Dec. 4, 2007**

(54) **ELECTRICAL CONNECTOR**

(75) Inventor: **Kenji Ikegami**, Tokyo (JP)

(73) Assignee: **Tyco Electronics AMP K.K.**,
Kanagawa-Ken (JP)

(**) Term: **14 Years**

(21) Appl. No.: **29/250,700**

(22) Filed: **Nov. 28, 2006**

(30) **Foreign Application Priority Data**

Jun. 9, 2006 (JP) 2006-015011

(51) **LOC (8) Cl.** **13-03**

(52) **U.S. Cl.** **D13/147**

(58) **Field of Classification Search** D13/133,
D13/146-147, 154, 184, 194; 439/79, 108,
439/607-610, 660, 668, 680

See application file for complete search history.

(56) **References Cited**

U.S. PATENT DOCUMENTS

- D367,040 S * 2/1996 Hamada D13/147
- D435,244 S * 12/2000 Lok D13/147
- D466,480 S * 12/2002 Yeh D13/147
- D500,737 S * 1/2005 Shao D13/147
- D518,790 S * 4/2006 Nishio et al. D13/147
- D521,938 S * 5/2006 Nishio et al. D13/147

- D525,589 S * 7/2006 Wu D13/147
- D526,621 S * 8/2006 Shang Yen et al. D13/147
- D527,347 S * 8/2006 Shang Yen et al. D13/147

FOREIGN PATENT DOCUMENTS

- JP 2005085469 3/2005
- JP D1247042 6/2005

* cited by examiner

Primary Examiner—Daniel Bui

(74) *Attorney, Agent, or Firm*—Barley Snyder LLC

(57) **CLAIM**

The ornamental design for an electrical connector, as shown and described.

DESCRIPTION

FIG. 1 is a front elevation view of an electrical connector, showing my new design;

FIG. 2 is a top plan view thereof;

FIG. 3 is a right side elevation view thereof;

FIG. 4 is a rear elevation view thereof;

FIG. 5 is a bottom plan view thereof;

FIG. 6 is a top, front and right side perspective view thereof; and,

FIG. 7 is a bottom, rear and left side perspective view thereof.

1 Claim, 7 Drawing Sheets

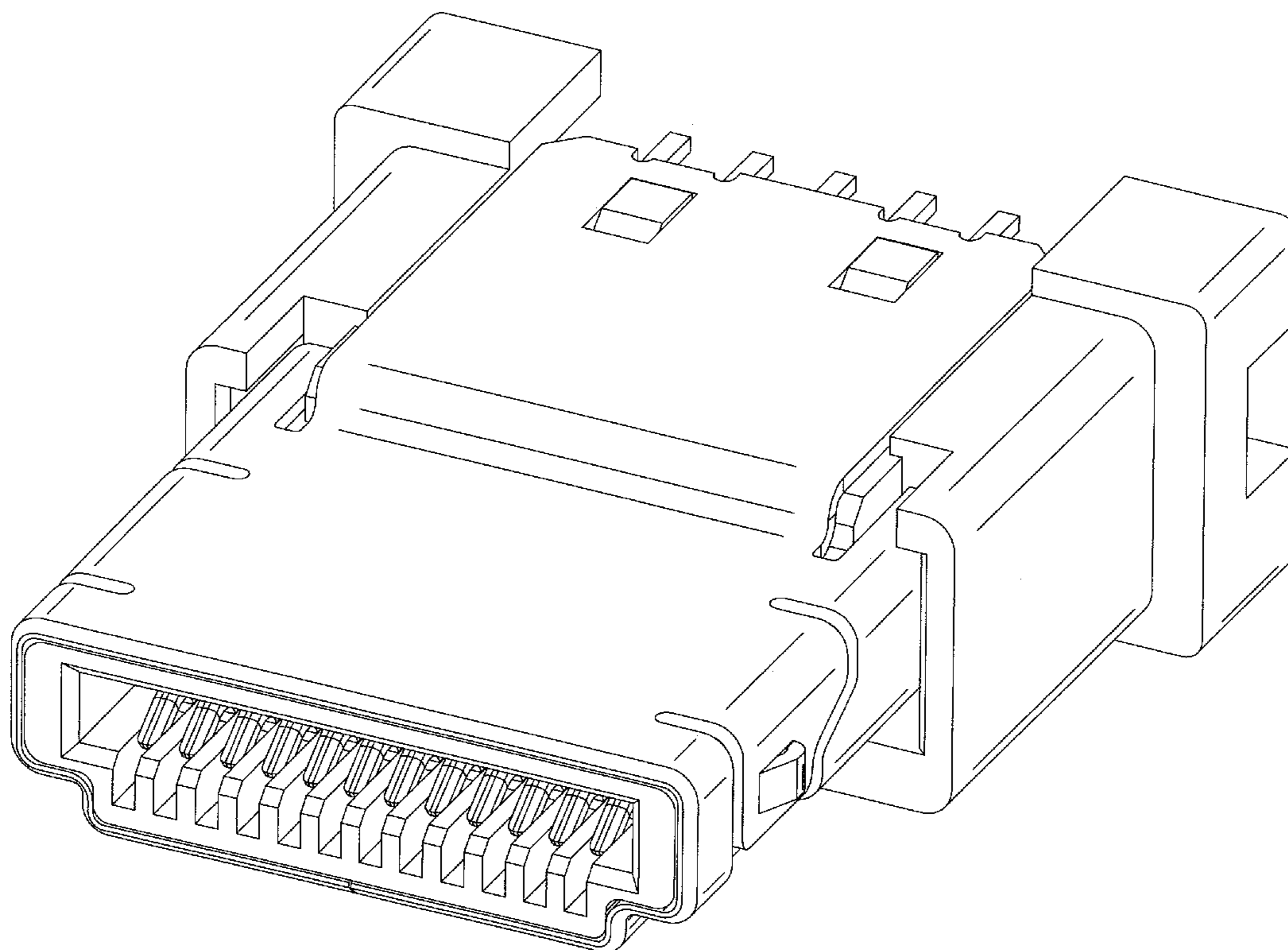


Figure 1

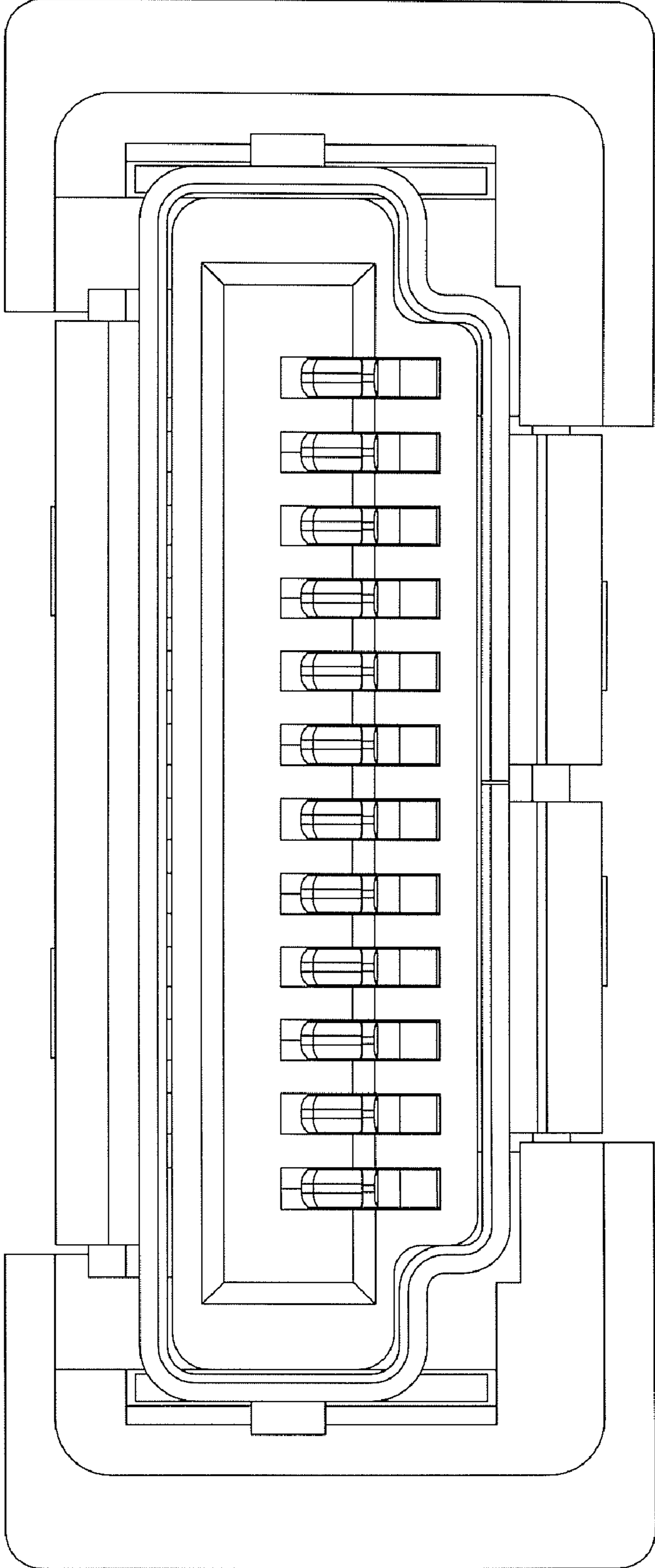


Figure 2

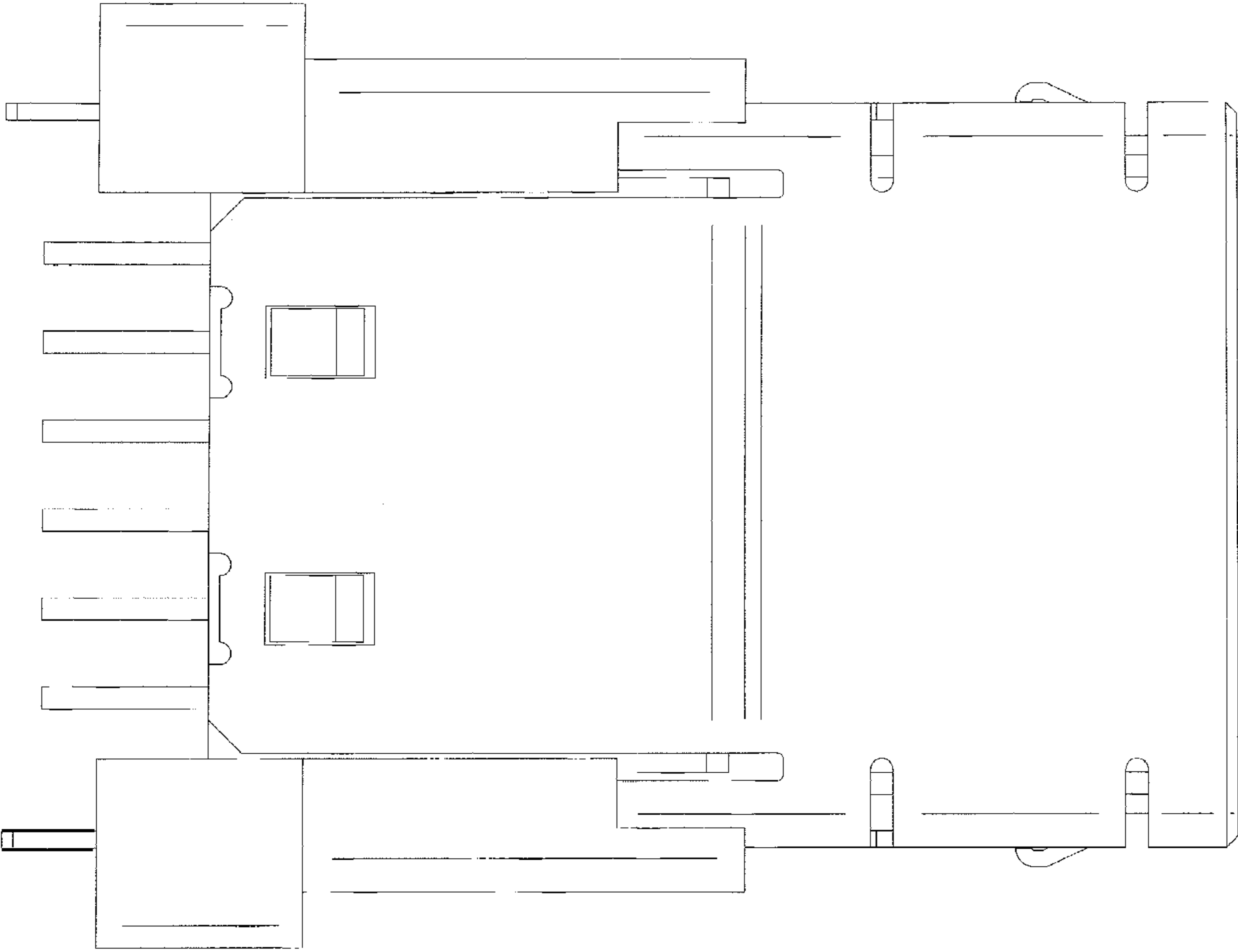


Figure 3

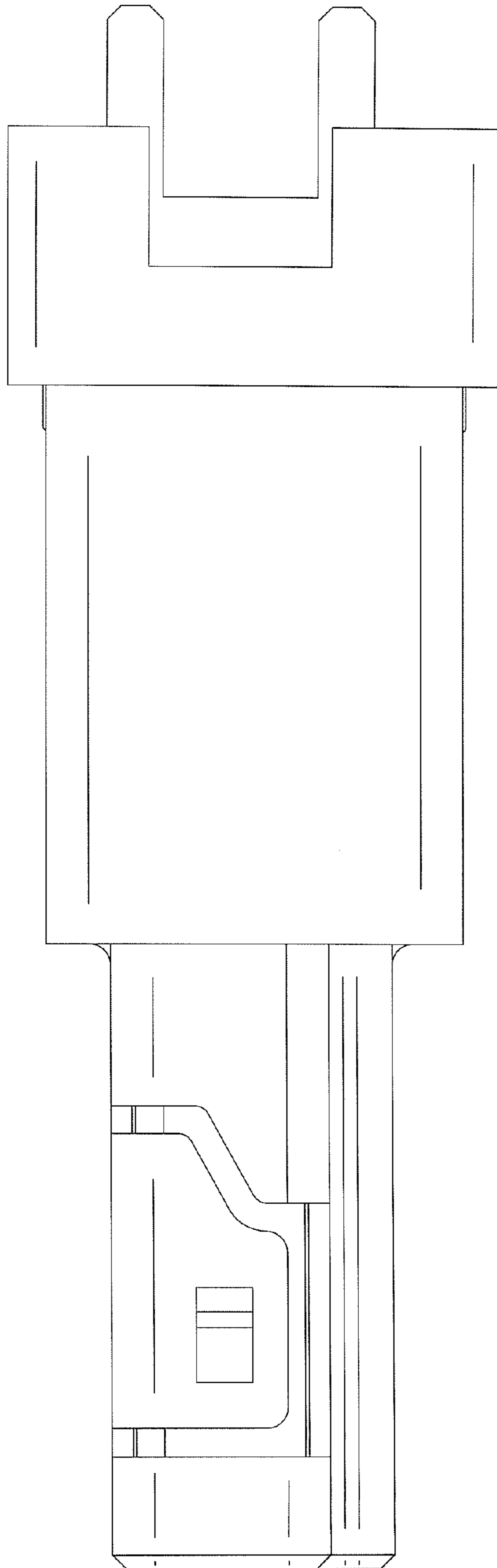


Figure 4

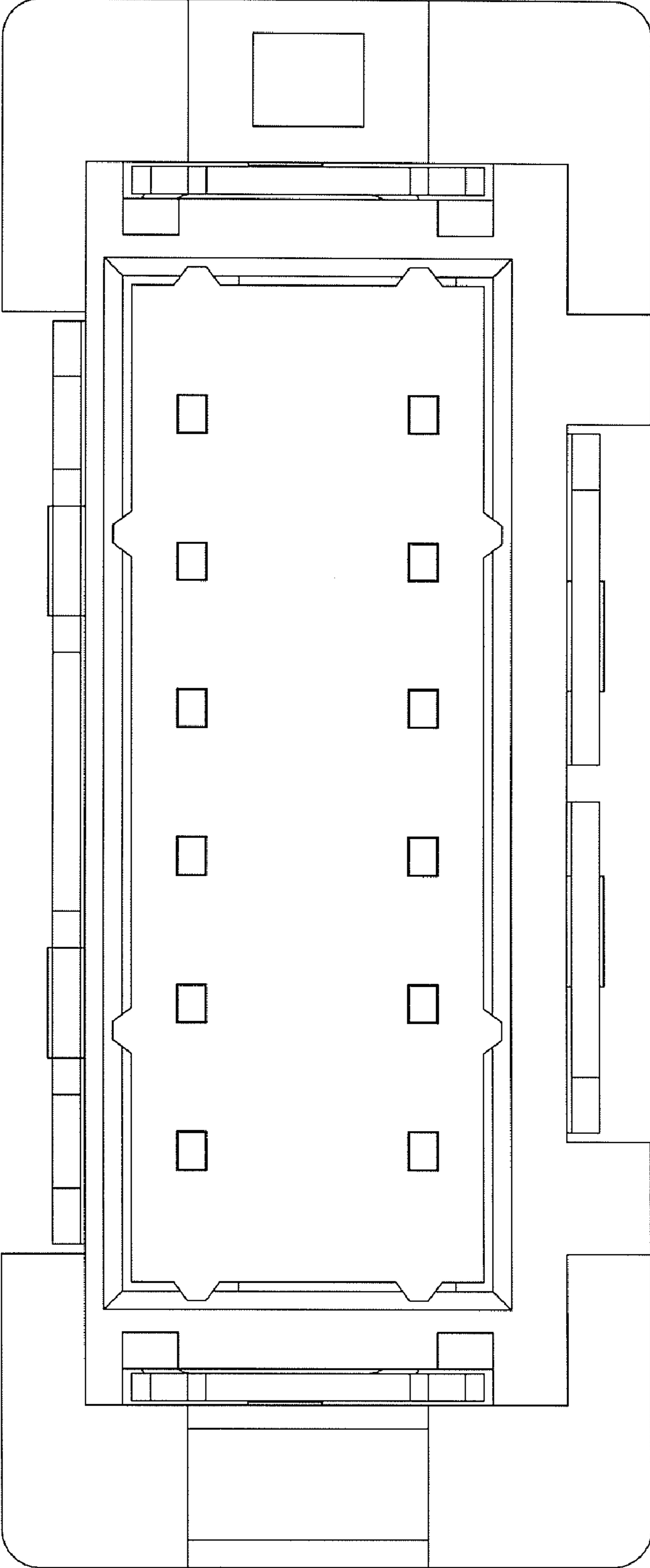


Figure 5

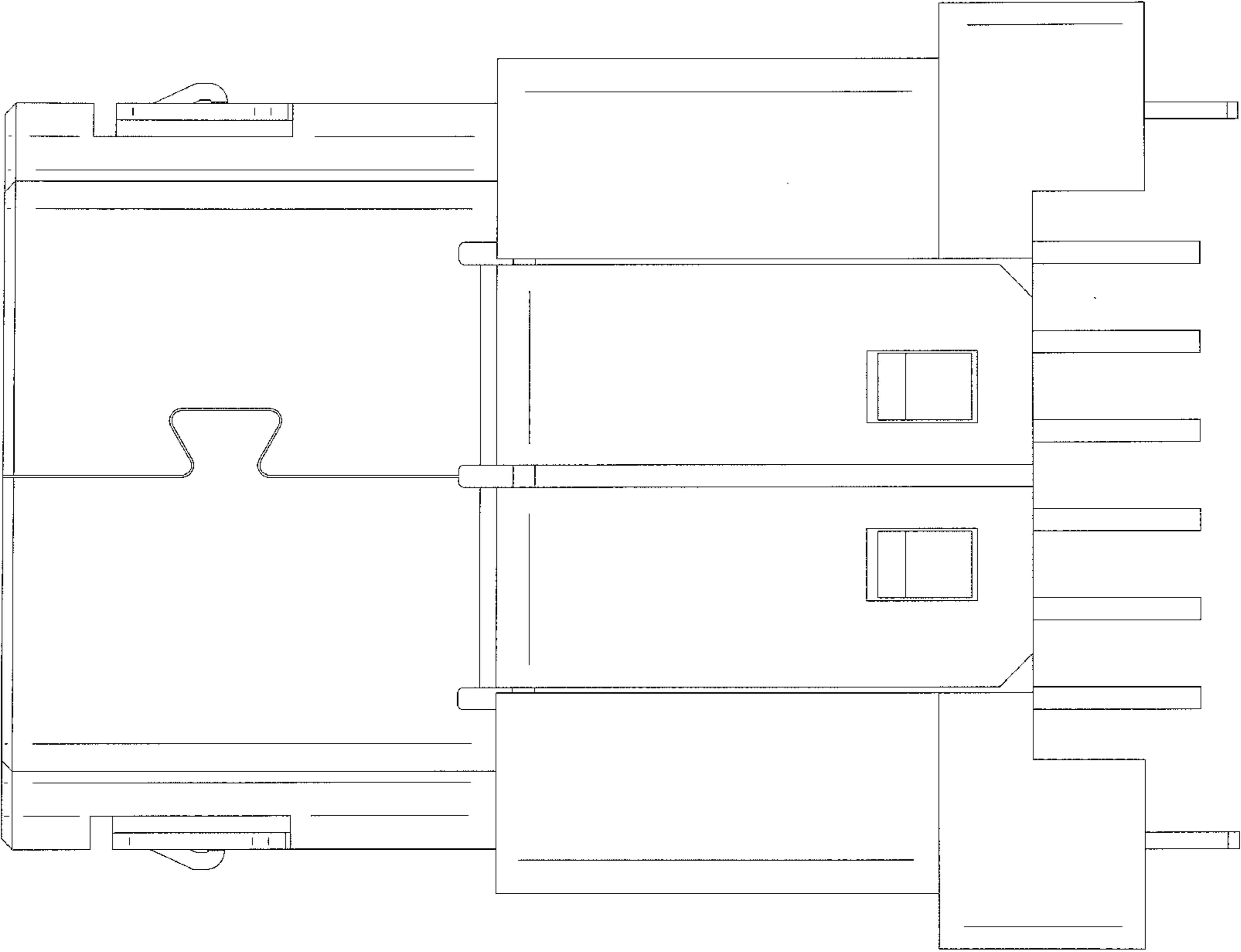


Figure 6

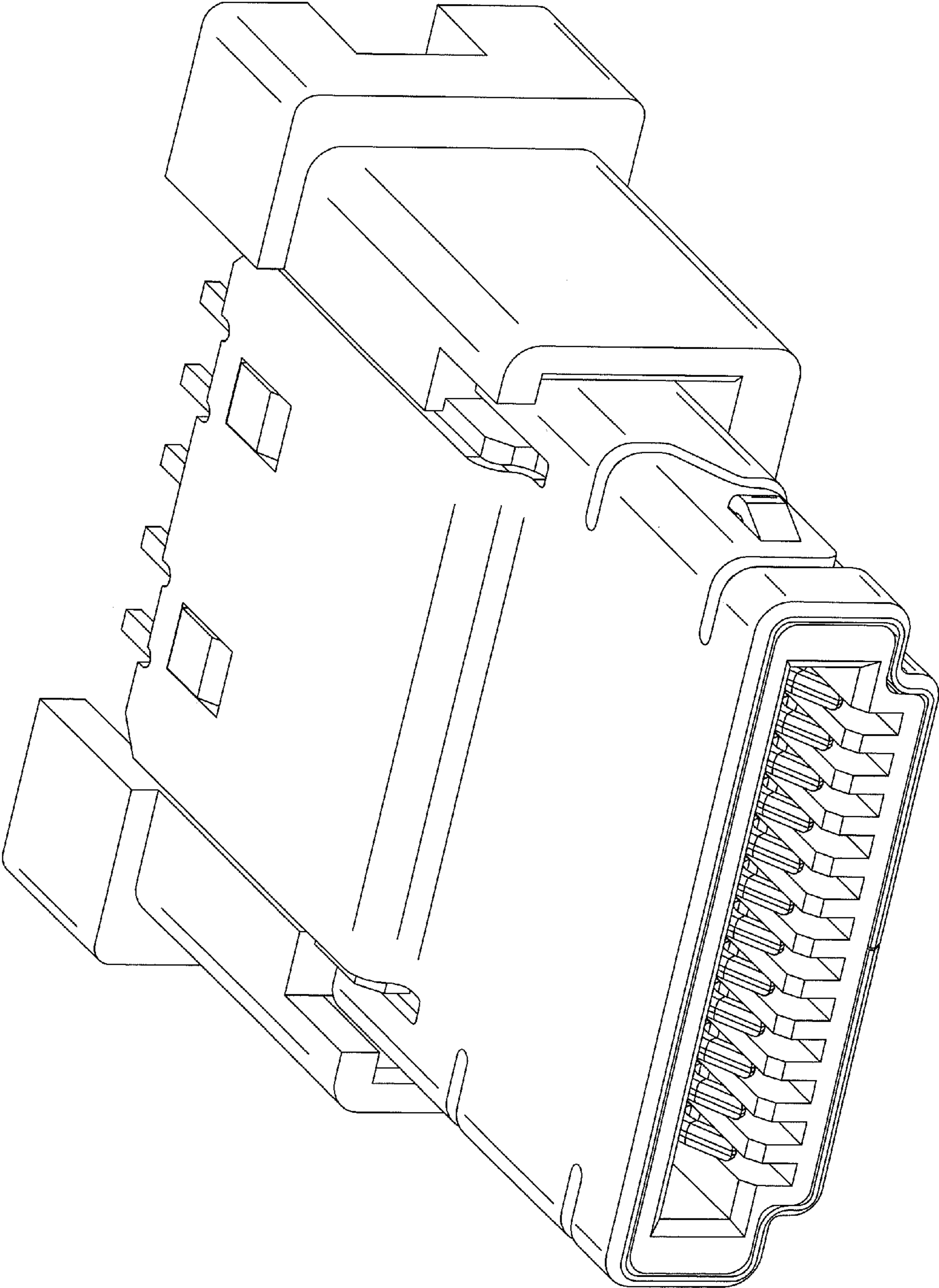


Figure 7

