



US00D556689S

(12) **United States Design Patent**
Lee et al.

(10) **Patent No.:** **US D556,689 S**
(45) **Date of Patent:** **** Dec. 4, 2007**

(54) **TRAVEL POWER STRIP**

(75) Inventors: **Noel Lee**, Las Vegas, NV (US);
Kendrew Lee, Fremont, CA (US)

(73) Assignee: **Monster Cable Products, Inc.**,
Brisbane, CA (US)

(**) Term: **14 Years**

(21) Appl. No.: **29/251,182**

(22) Filed: **Jan. 3, 2006**

(51) **LOC (8) Cl.** **13-03**

(52) **U.S. Cl.** **D13/139.1**

(58) **Field of Classification Search** . D13/139.1-139.8,
D13/124, 160, 162, 164, 178, 184; 361/118-119;
439/106-108, 188, 535, 650-654
See application file for complete search history.

(56) **References Cited**

U.S. PATENT DOCUMENTS

D327,873 S *	7/1992	Luu	D13/139.8
D360,873 S *	8/1995	Starec et al.	D13/139.2
D400,505 S *	11/1998	Yu	D13/139.6

(Continued)

Primary Examiner—Alan P. Douglas

Assistant Examiner—Rosemary K. Tarcza

(74) *Attorney, Agent, or Firm*—LaRiviere, Grubman &
Payne, LLP

(57) **CLAIM**

The ornamental design for a travel power strip, as herein described and as shown in the figures of the accompanying Drawings.

DESCRIPTION

FIG. 1 is a perspective view of a travel power strip, in accordance with the present invention.

FIG. 2 is a top view of a travel power strip, in accordance with the present invention.

FIG. 3 is a side view of a travel power strip, in accordance with the present invention.

FIG. 4 is a bottom view of a travel power strip, in accordance with the present invention.

FIG. 5 is an opposing side view of a travel power strip, in accordance with the present invention.

FIG. 6 is an end view a travel power strip, in accordance with the present invention.

FIG. 7 is an opposing end view of a travel power strip, in accordance with the present invention.

FIG. 8 is a perspective view of a second embodiment of a travel power strip, in accordance with the present invention.

FIG. 9 is a top view of a second embodiment of a travel power strip, in accordance with the present invention.

FIG. 10 side view of a second embodiment of a travel power strip, in accordance with the present invention.

FIG. 11 is a bottom view of a second embodiment of a travel power strip, in accordance with the present invention.

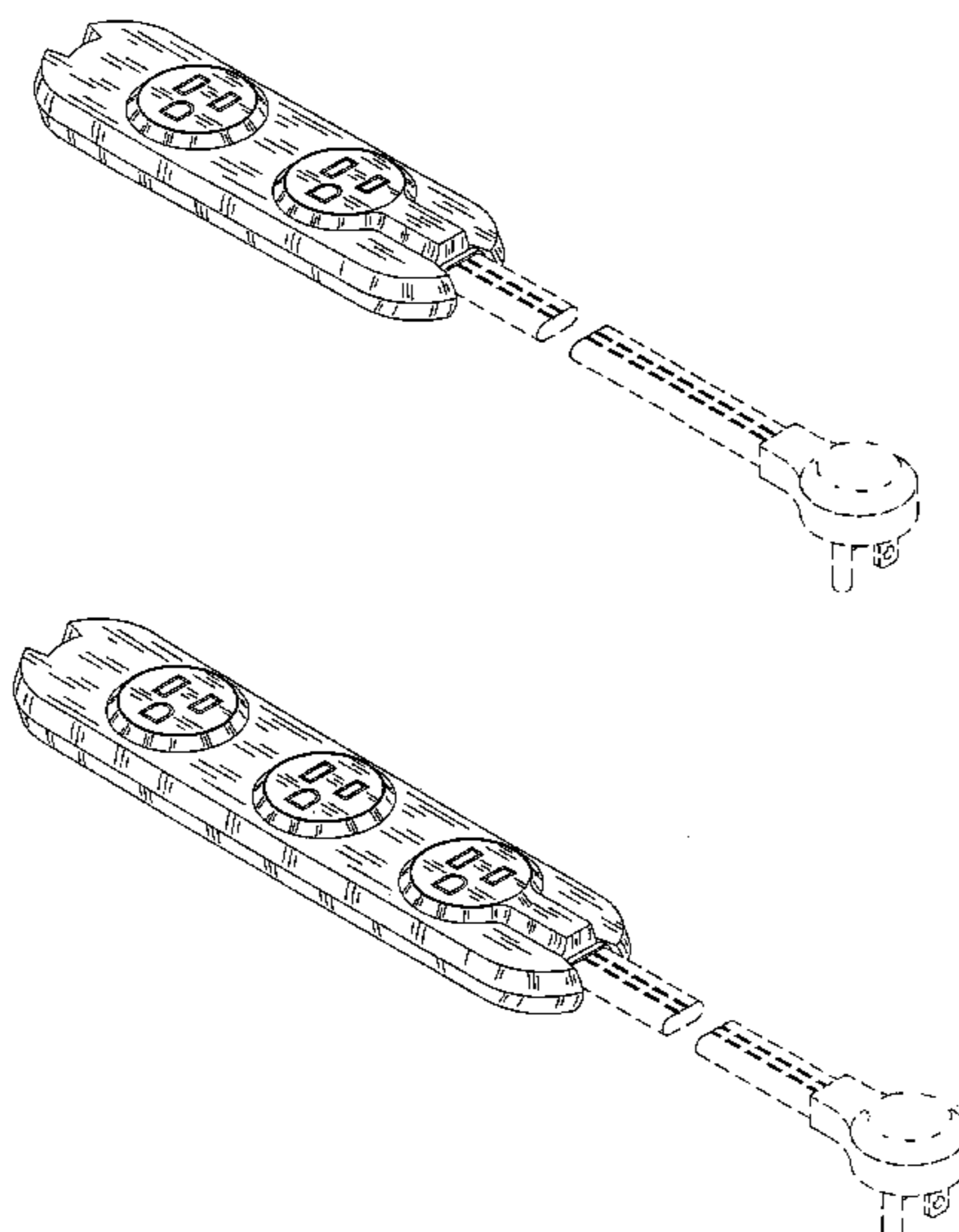
FIG. 12 is an opposing side view of a second embodiment of a travel power strip, in accordance with the present invention.

FIG. 13 is an end view of a second embodiment of a travel power strip, in accordance with the present invention; and,

FIG. 14 is an opposing end view of a second embodiment of a travel power strip, in accordance with the present invention.

The broken lines showing the environment in the Figures are for illustrative purposes only and form no part of the claimed design.

1 Claim, 6 Drawing Sheets



US D556,689 S

Page 2

U.S. PATENT DOCUMENTS

5,866,846 A *	2/1999	Huag	174/67	6,406,308 B1 *	6/2002	Wang	439/145
D435,515 S *	12/2000	Stekelenburg	D13/139.6	D466,079 S *	11/2002	Stekelenburg	D13/139.8
D436,923 S *	1/2001	Stekelenburg	D13/139.8	6,750,410 B2 *	6/2004	Lee	200/51.03
D443,591 S *	6/2001	Tong et al.	D13/139.8	6,940,015 B2 *	9/2005	Fang	174/53
D444,770 S *	7/2001	Tong et al.	D13/139.8	2005/0105235 A1 *	5/2005	Yu	361/118

* cited by examiner

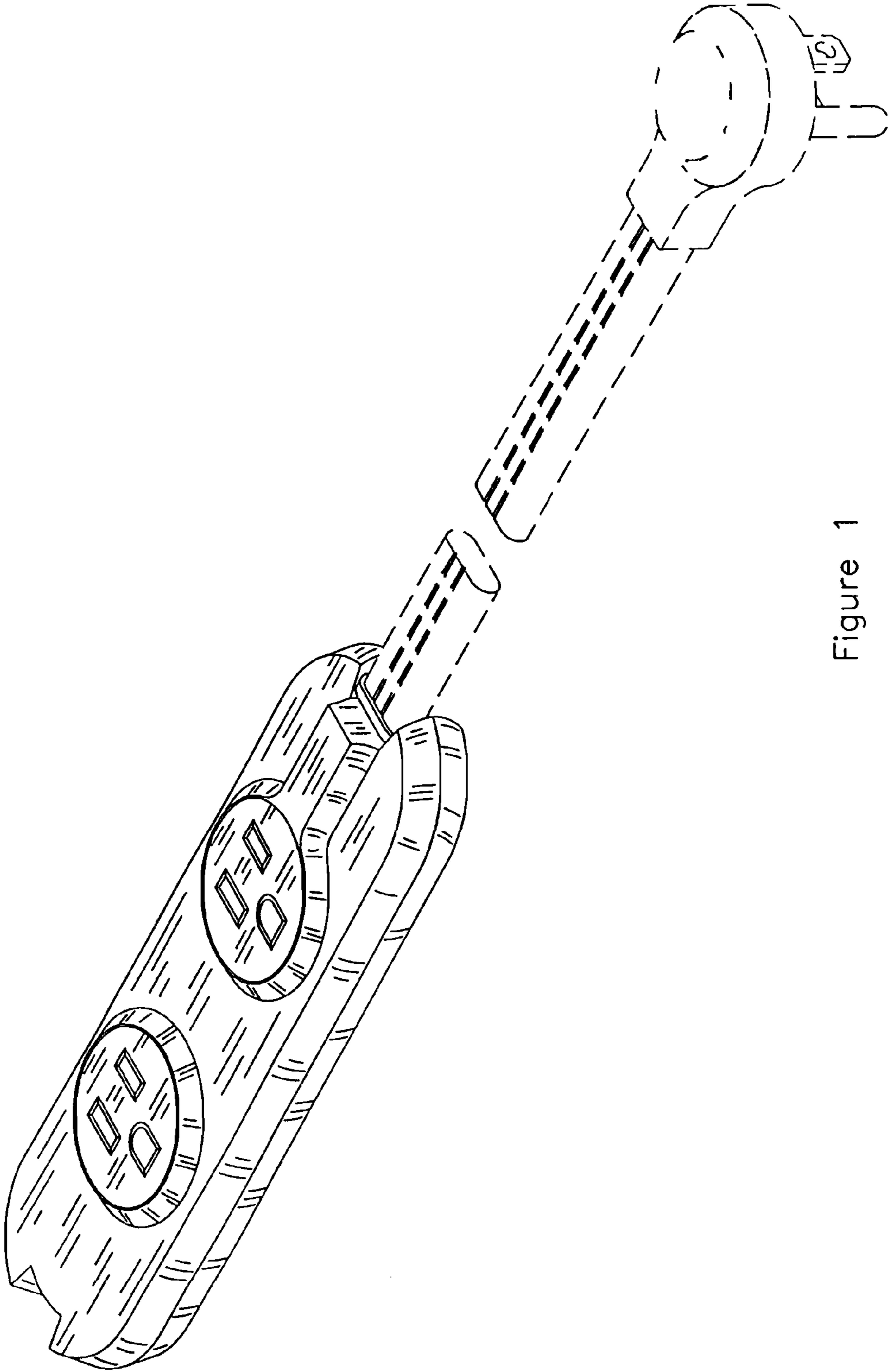


Figure 1

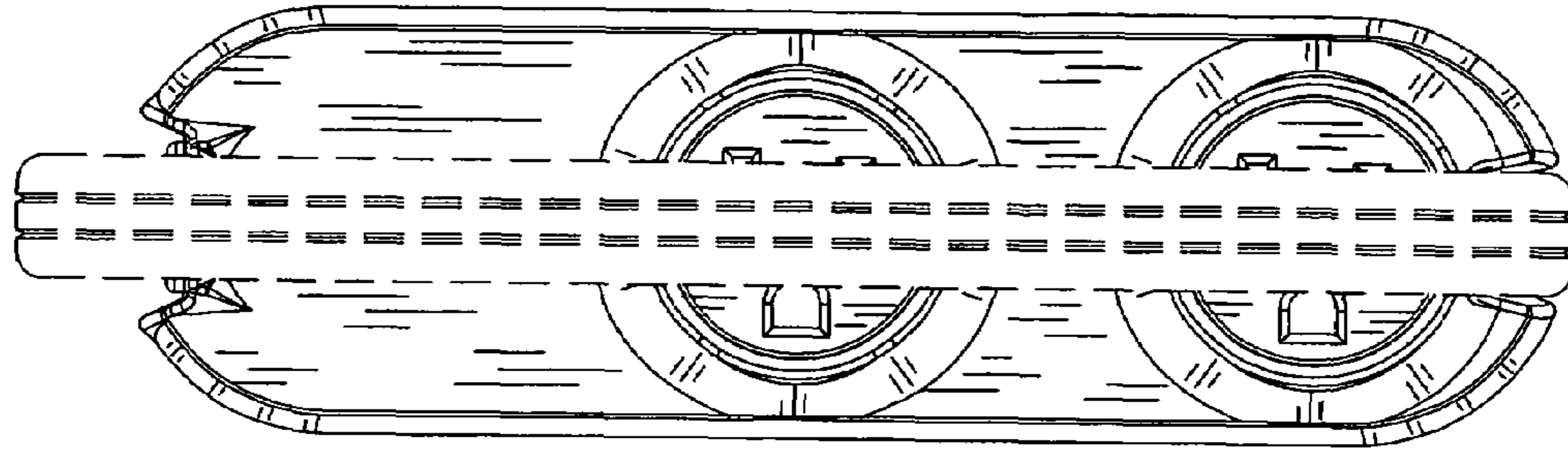


Figure 2

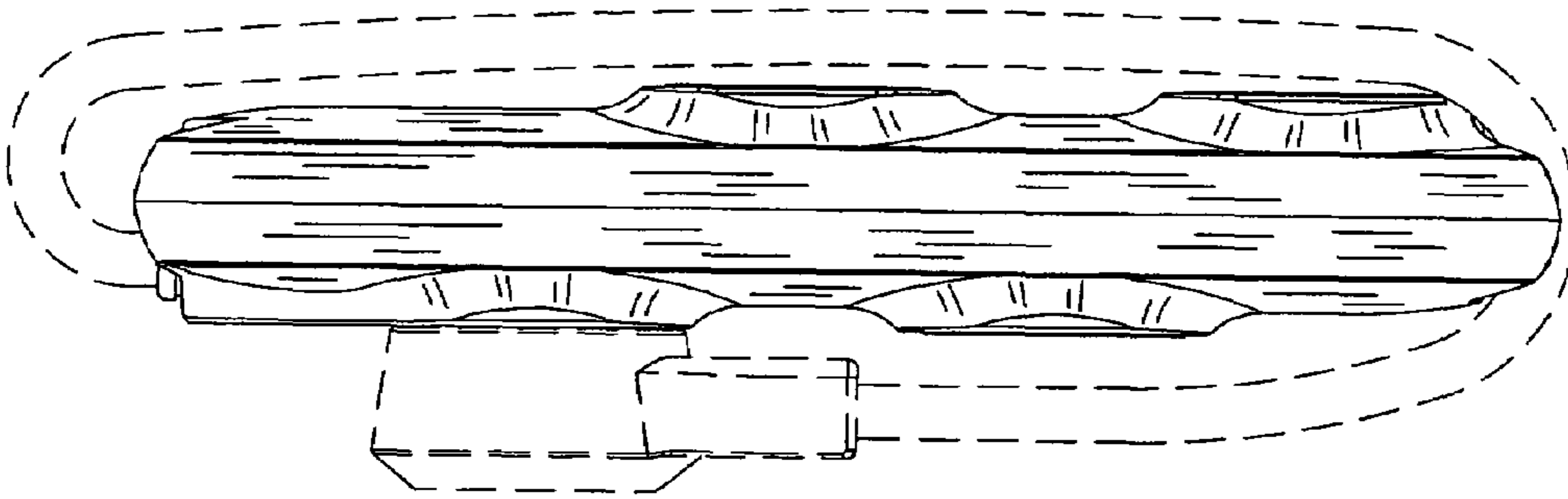


Figure 3

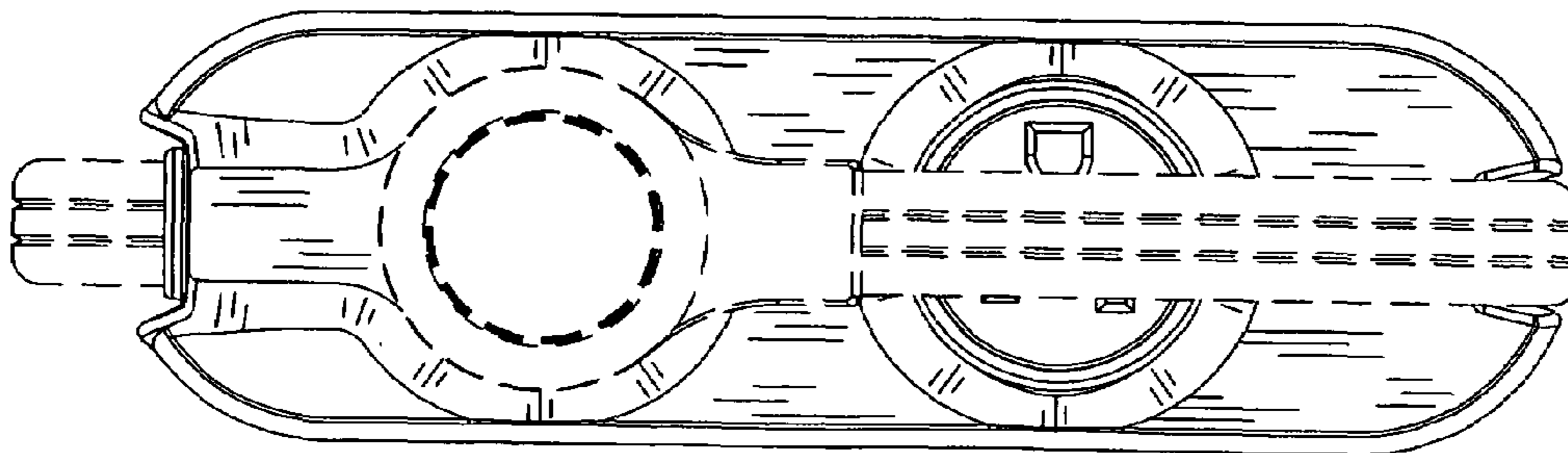


Figure 4

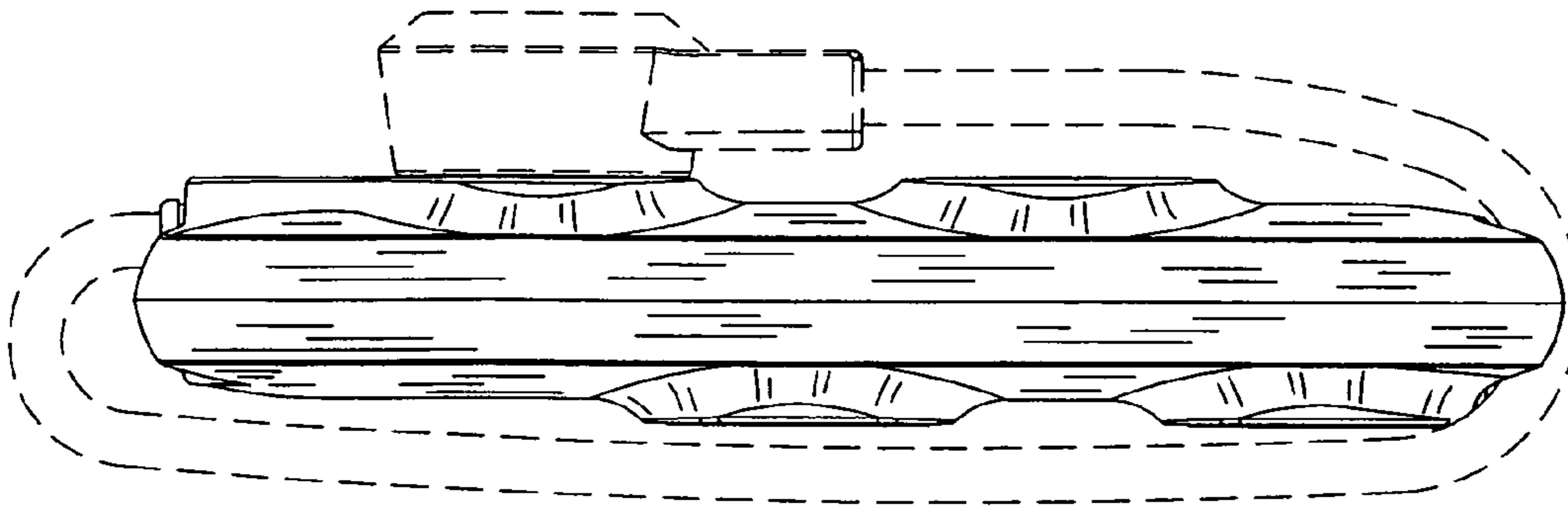


Figure 5

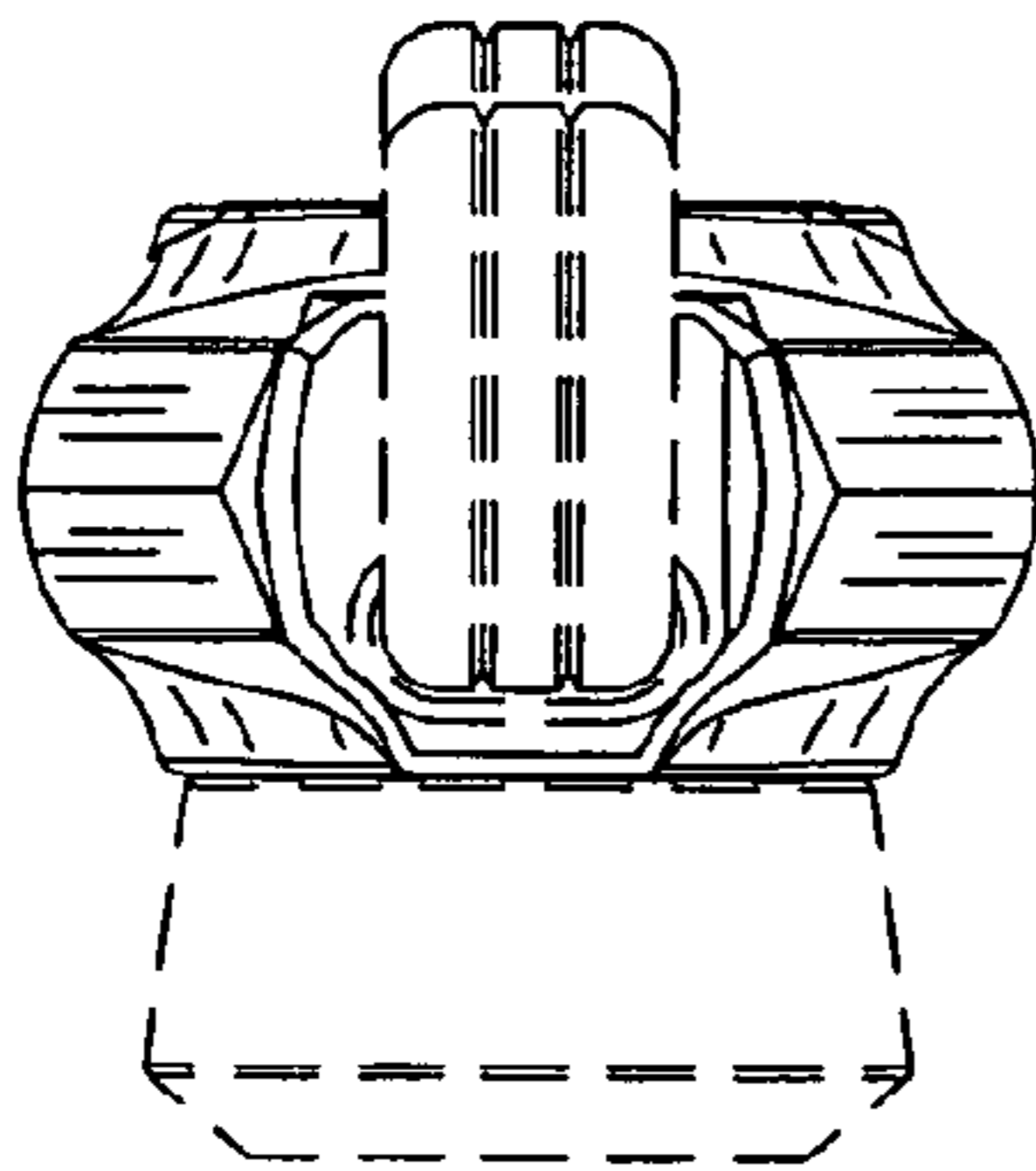


Figure 6

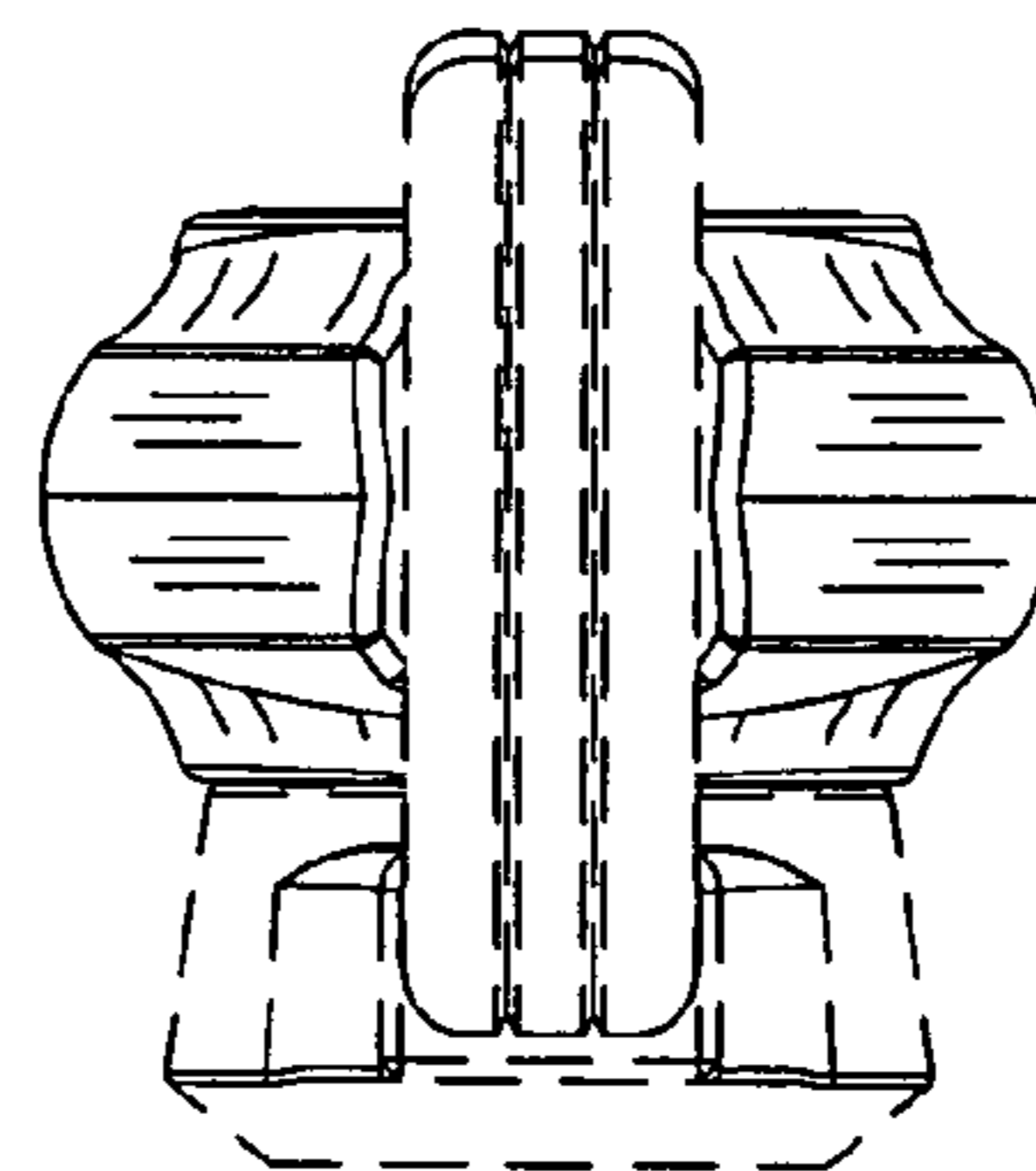


Figure 7

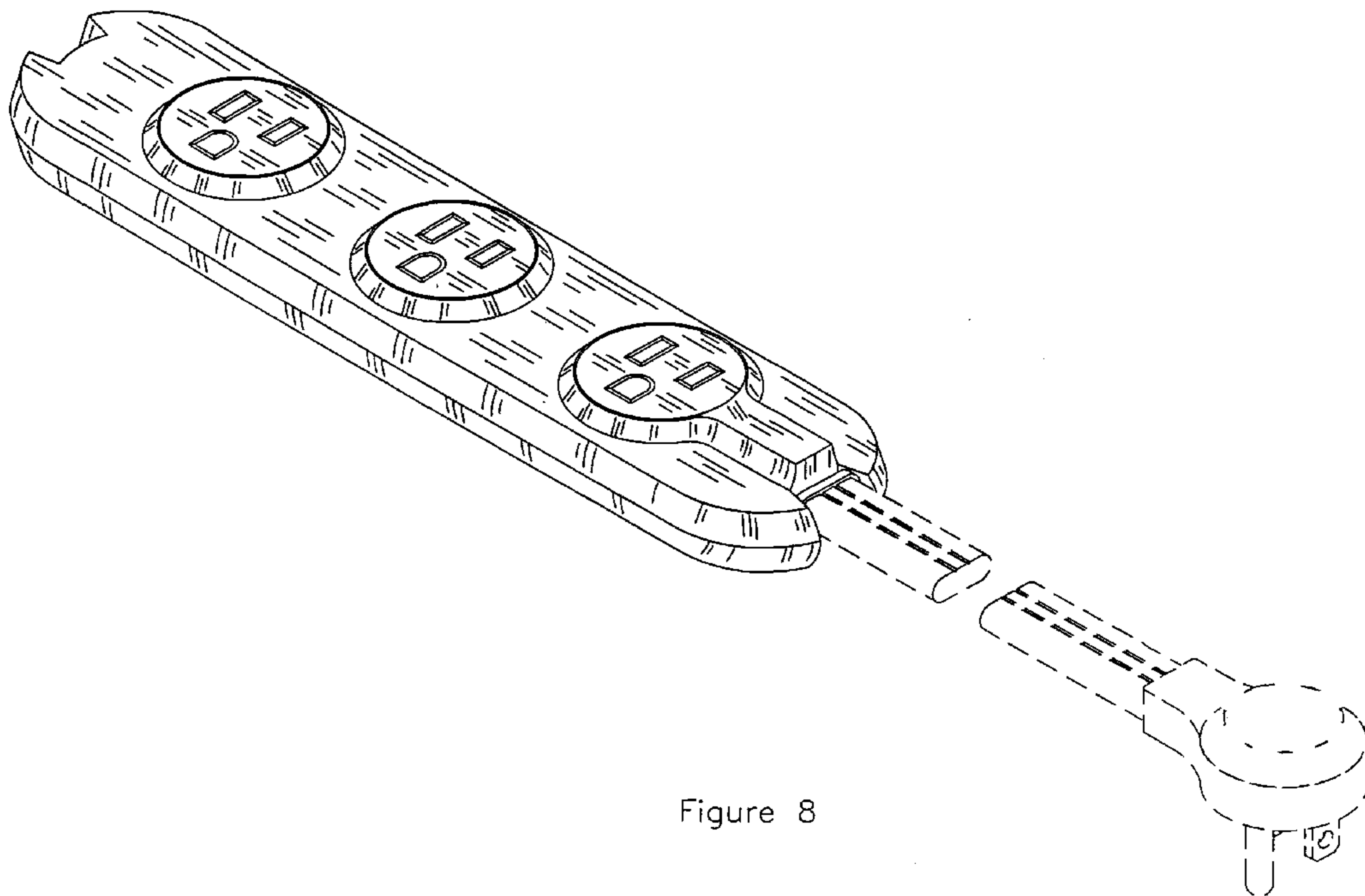


Figure 8

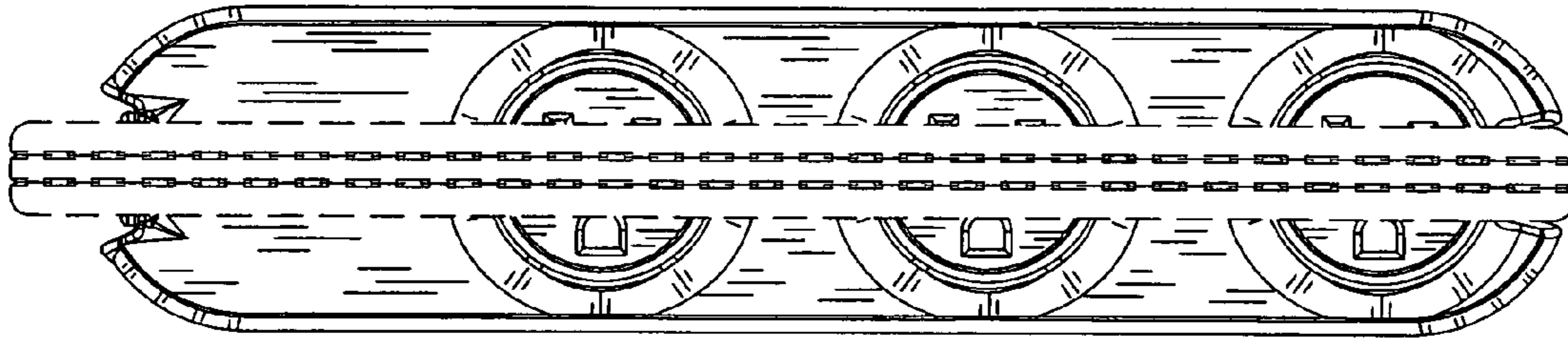


Figure 9

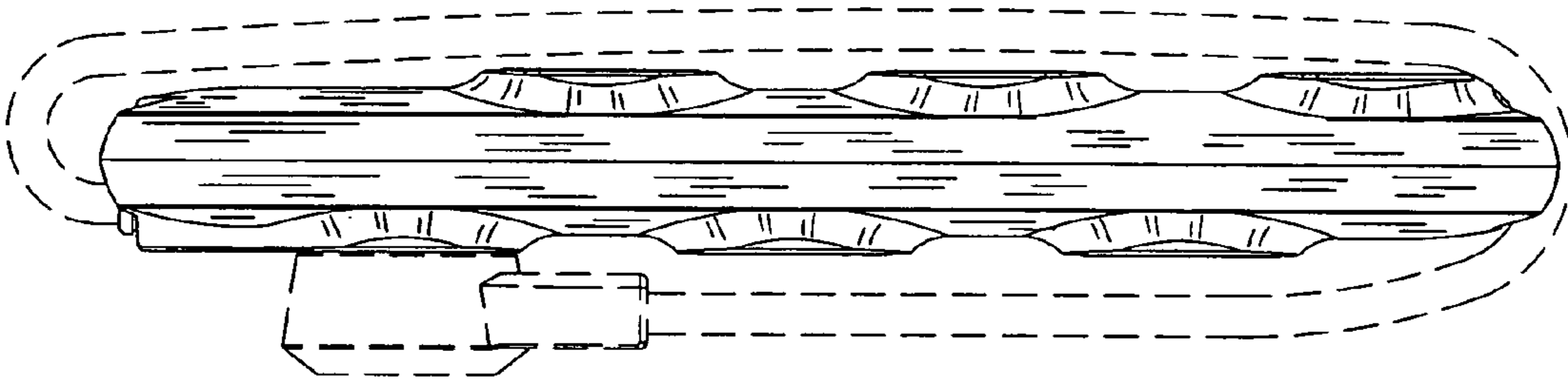


Figure 10

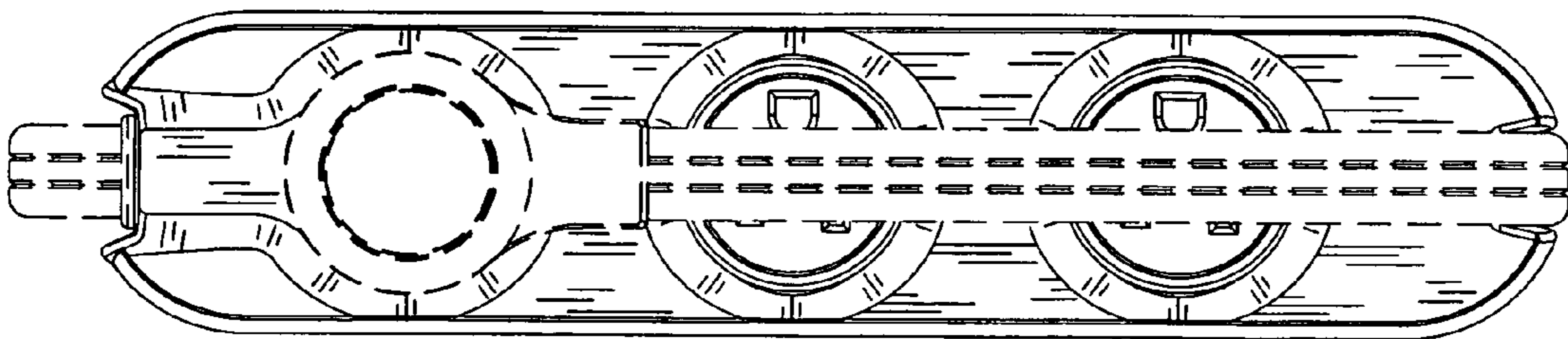


Figure 11

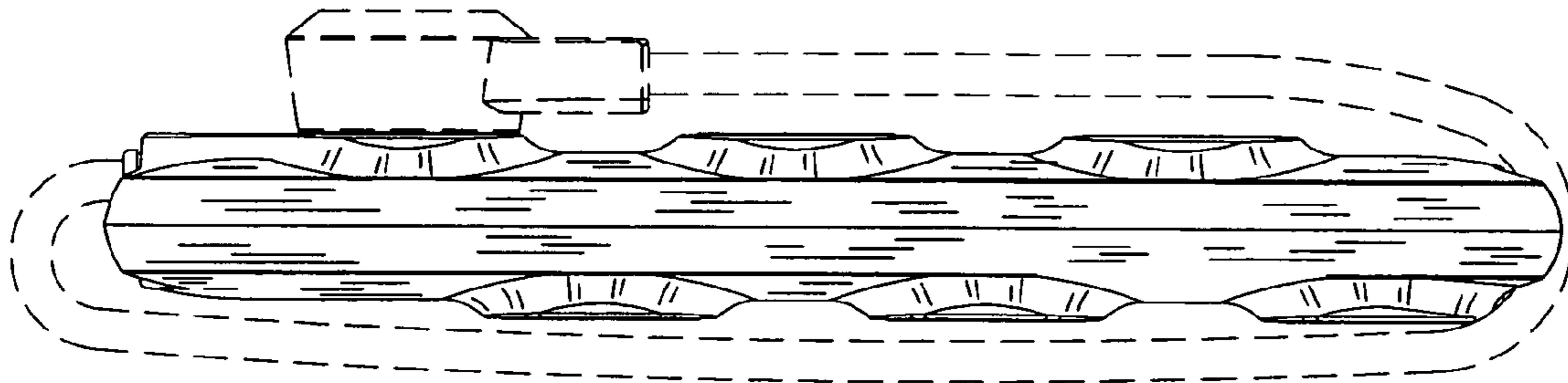


Figure 12

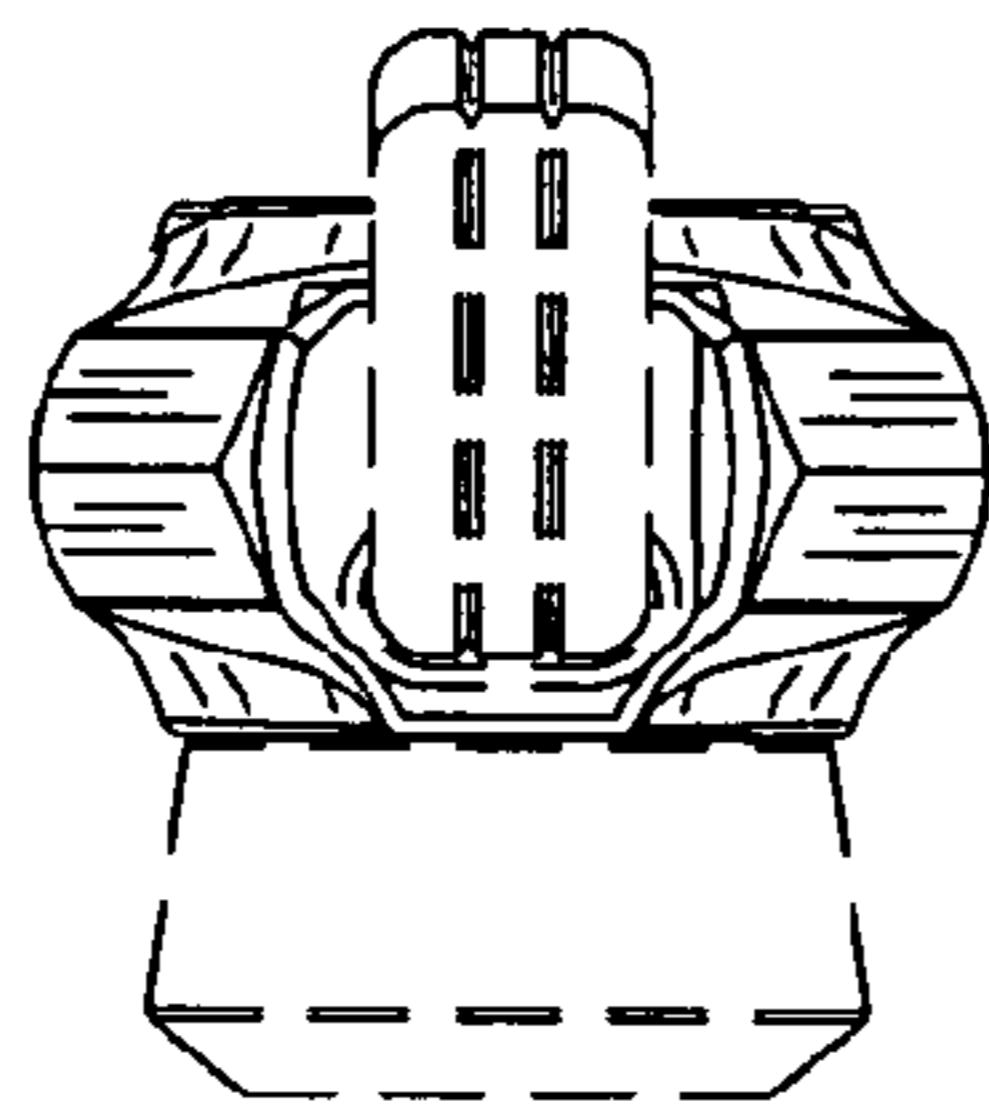


Figure 13

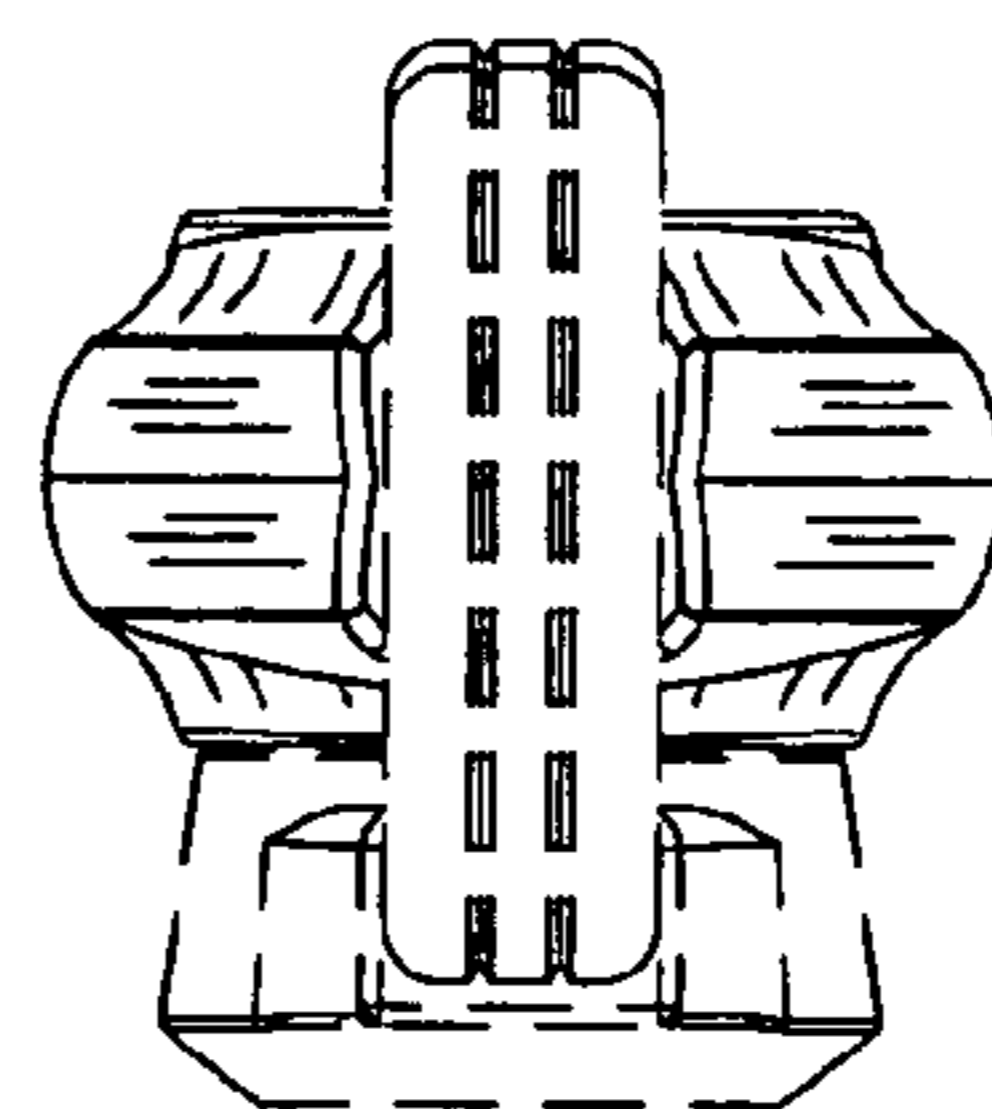


Figure 14