



US00D556688S

(12) **United States Design Patent**
Shogaki et al.

(10) **Patent No.:** **US D556,688 S**

(45) **Date of Patent:** **** Dec. 4, 2007**

(54) **OPTICAL COMMUNICATION CONNECTOR**

D494,930 S * 8/2004 Ishigami et al. D13/123

(75) Inventors: **Yoshihiro Shogaki**, Tsu (JP); **Yukihiro Yokomachi**, Yokosuka (JP); **Kenichiro Ohtsuka**, Fujisawa (JP); **Daizo Nishioka**, Fujisawa (JP)

OTHER PUBLICATIONS

Catalogue of Matsushita Electric Works, Ltd. showing SC connector issued in Sep. 2004; 48 pages.

Catalogue of Furukawa Electric Co., Ltd. showing SC connector; 2005-2006; 3 pages).

Catalogue of Fujikura, Ltd.'s optical connector "MU connector" "Duplex type connector"; 2005, No. 1; 3 pages.

* cited by examiner

Primary Examiner—Prabhakar Deshmukh

Assistant Examiner—Derrick Holland

(74) *Attorney, Agent, or Firm*—Osha•Liang LLP

(73) Assignees: **Matsushita Electric Works, Ltd.**, Kadoma-shi, Osaka (JP); **Sumitomo Electric Industries, Ltd.**, Osaka-shi, Osaka (JP)

(**) Term: **14 Years**

(21) Appl. No.: **29/243,596**

(22) Filed: **Nov. 28, 2005**

(30) **Foreign Application Priority Data**

May 30, 2005 (JP) 2005-015531

(51) **LOC (8) Cl.** **13-03**

(52) **U.S. Cl.** **D13/133**

(58) **Field of Classification Search** D13/133,
D13/101, 123, 199; D16/130; 340/854.7;
385/78, 88, 92, 94, 125; 398/135, 182, 196-199,
398/200, 201

See application file for complete search history.

(56) **References Cited**

U.S. PATENT DOCUMENTS

D351,587 S * 10/1994 Puchammer D13/133

6,350,063 B1 * 2/2002 Gilliland et al. 385/88

D467,544 S * 12/2002 Hwang D13/123

6,511,230 B1 * 1/2003 Connelly et al. 385/58

D481,680 S * 11/2003 Cheng et al. D13/133

(57) **CLAIM**

The ornamental design for an optical communication connector, as shown and described.

DESCRIPTION

FIG. 1 is a perspective view of the front, bottom and left side of an optical communication connector showing our new design.

FIG. 2 is a front view thereof.

FIG. 3 is a top plan view thereof.

FIG. 4 is a bottom view thereof.

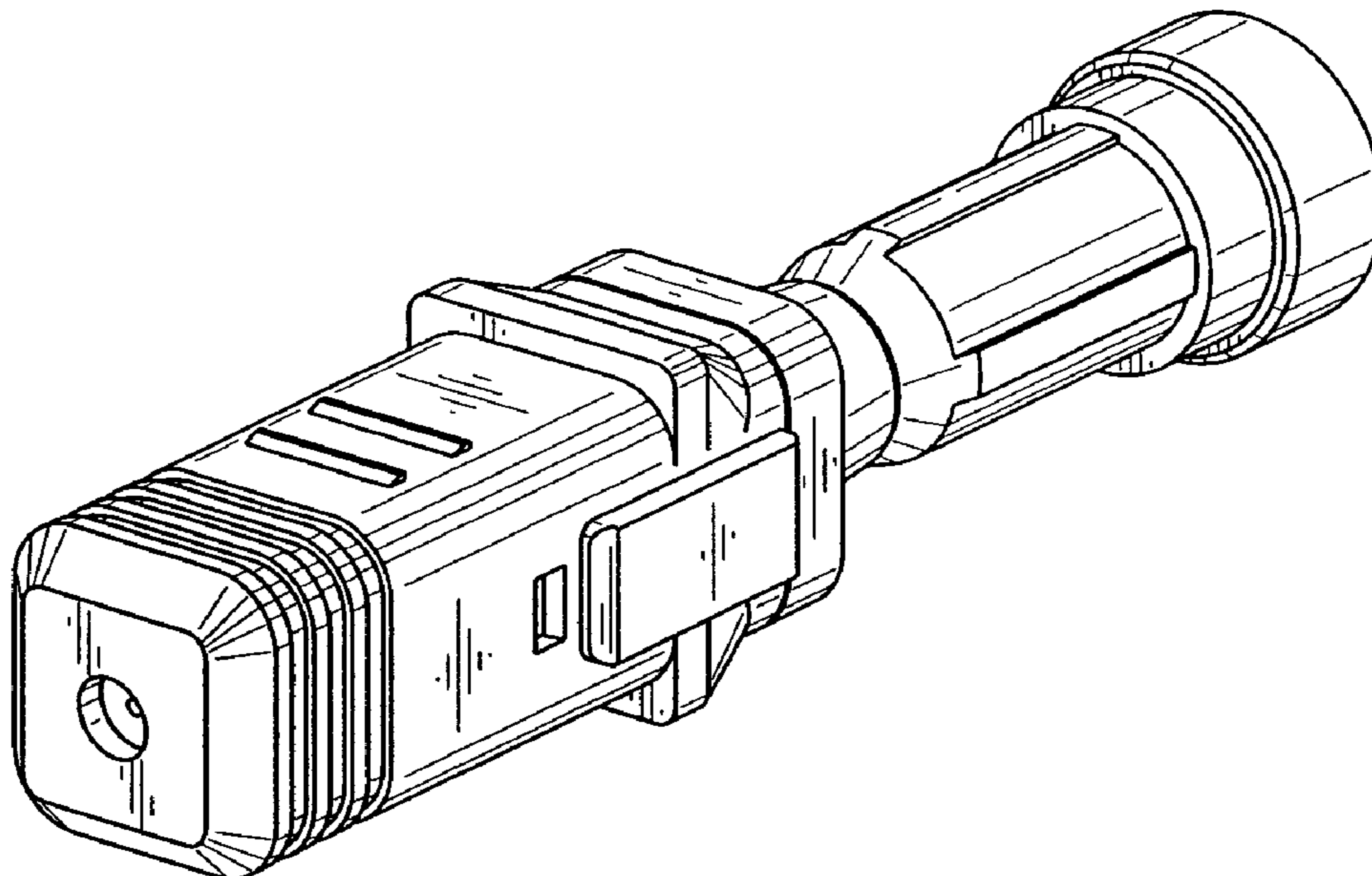
FIG. 5 is a left side view thereof.

FIG. 6 is a right side view thereof; and,

FIG. 7 is a perspective view thereof in the separated condition.

The rear view is a mirror image of the front view.

1 Claim, 3 Drawing Sheets



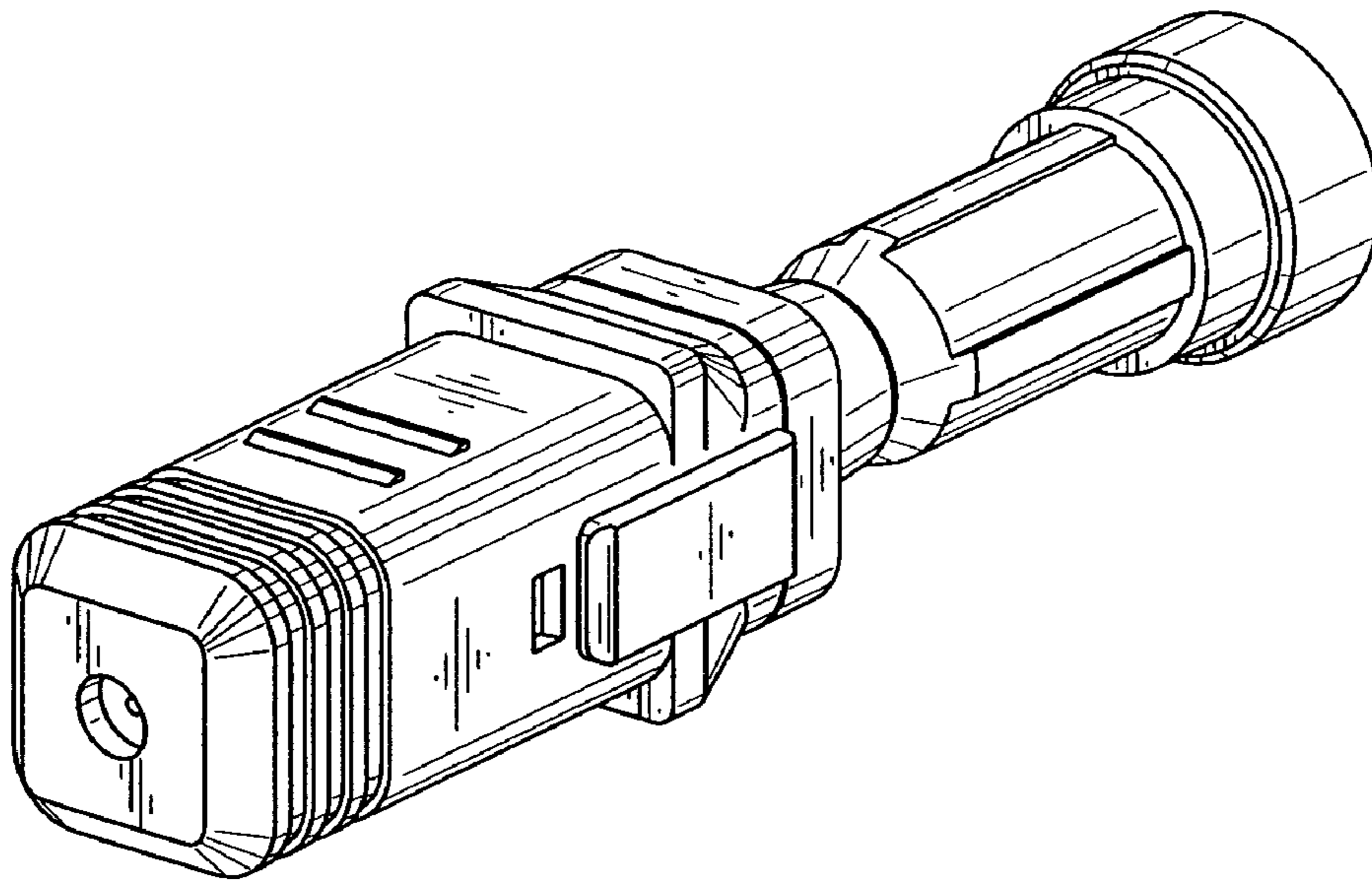


FIG. 1

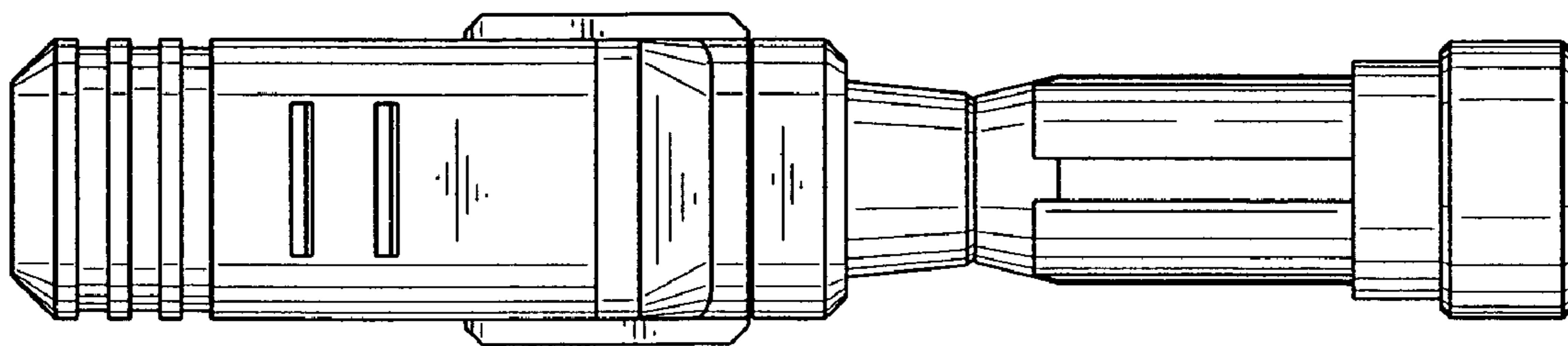


FIG. 2

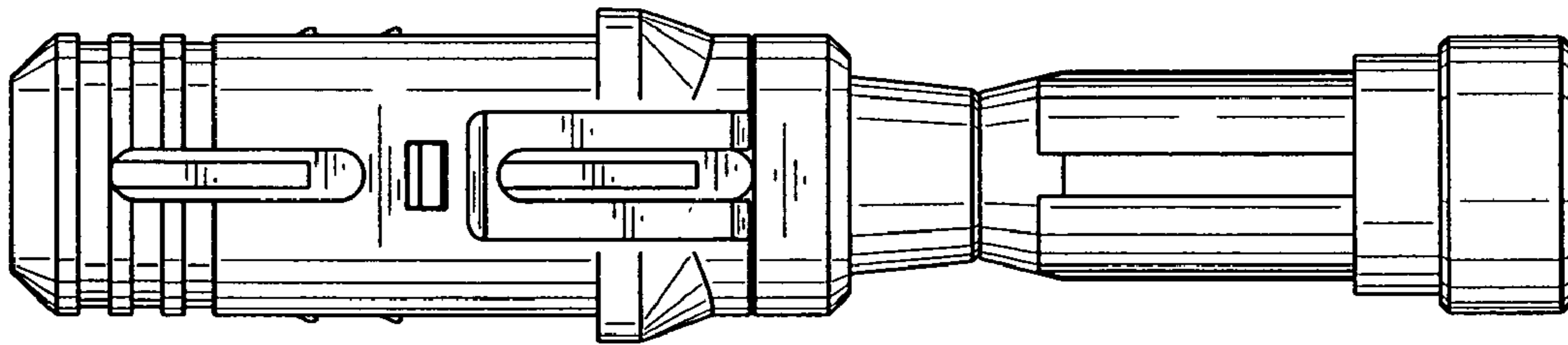


FIG. 3

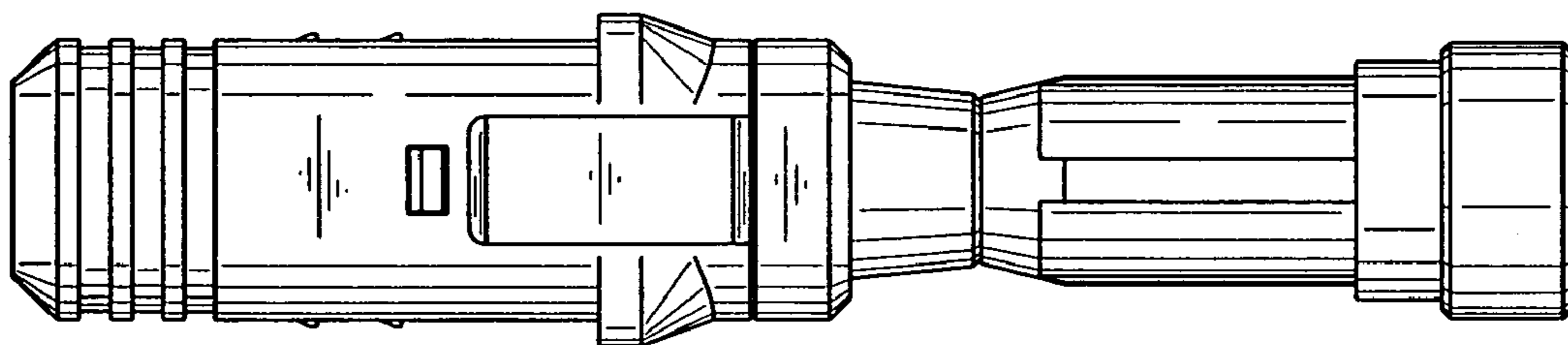


FIG. 4

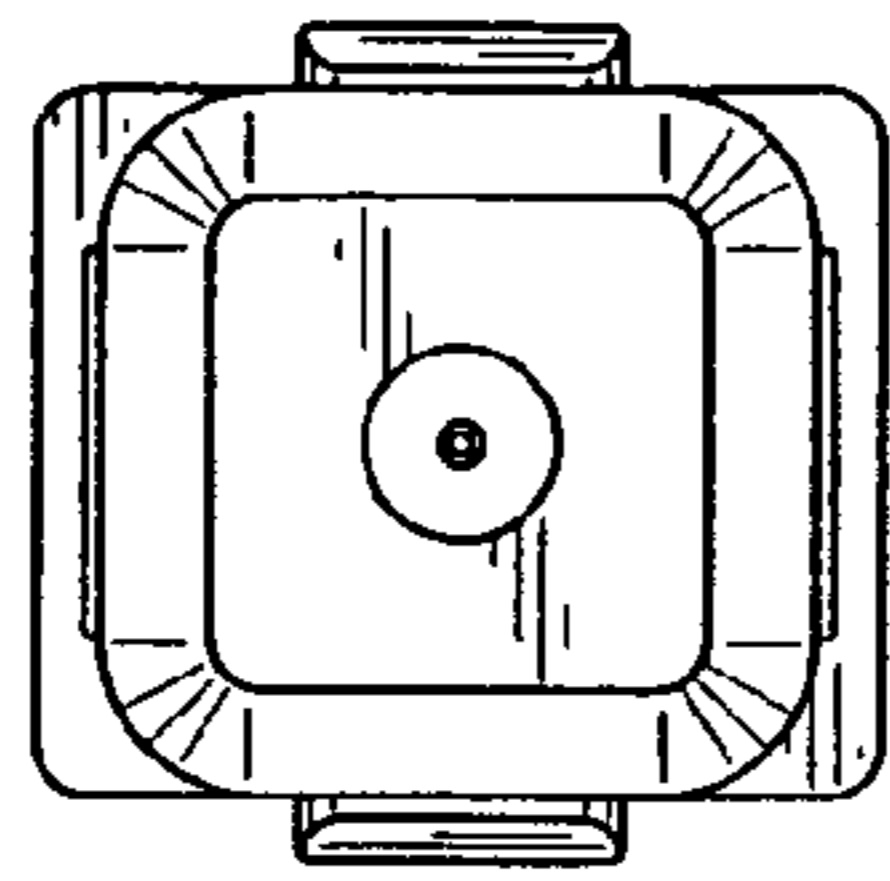


FIG. 5

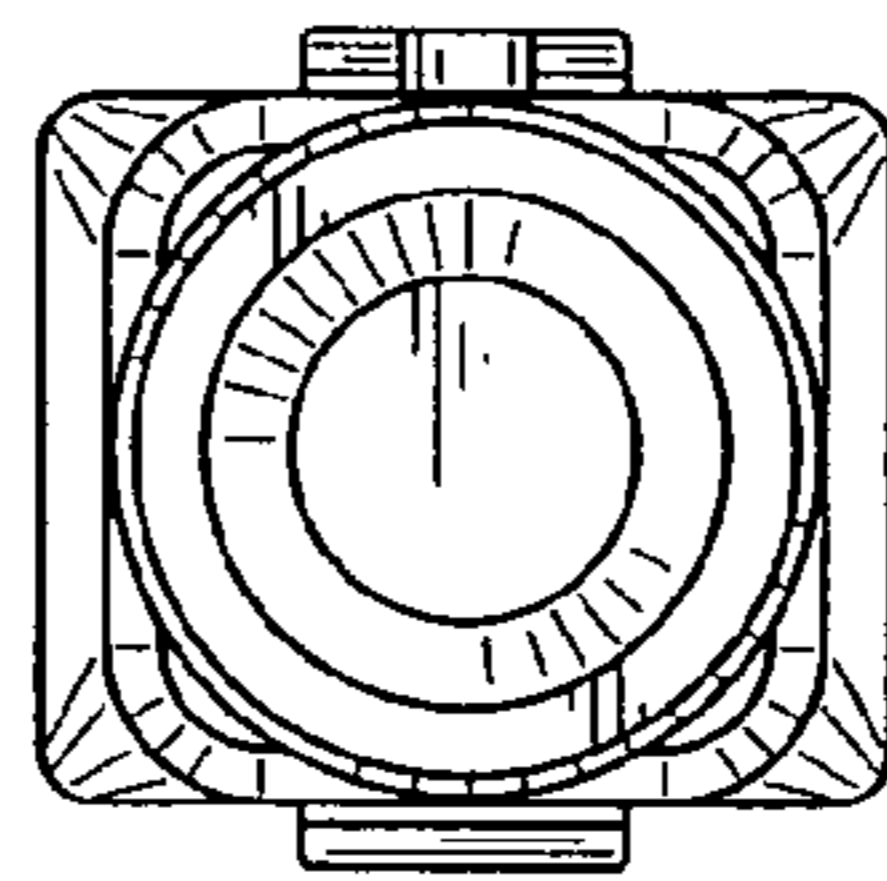


FIG. 6

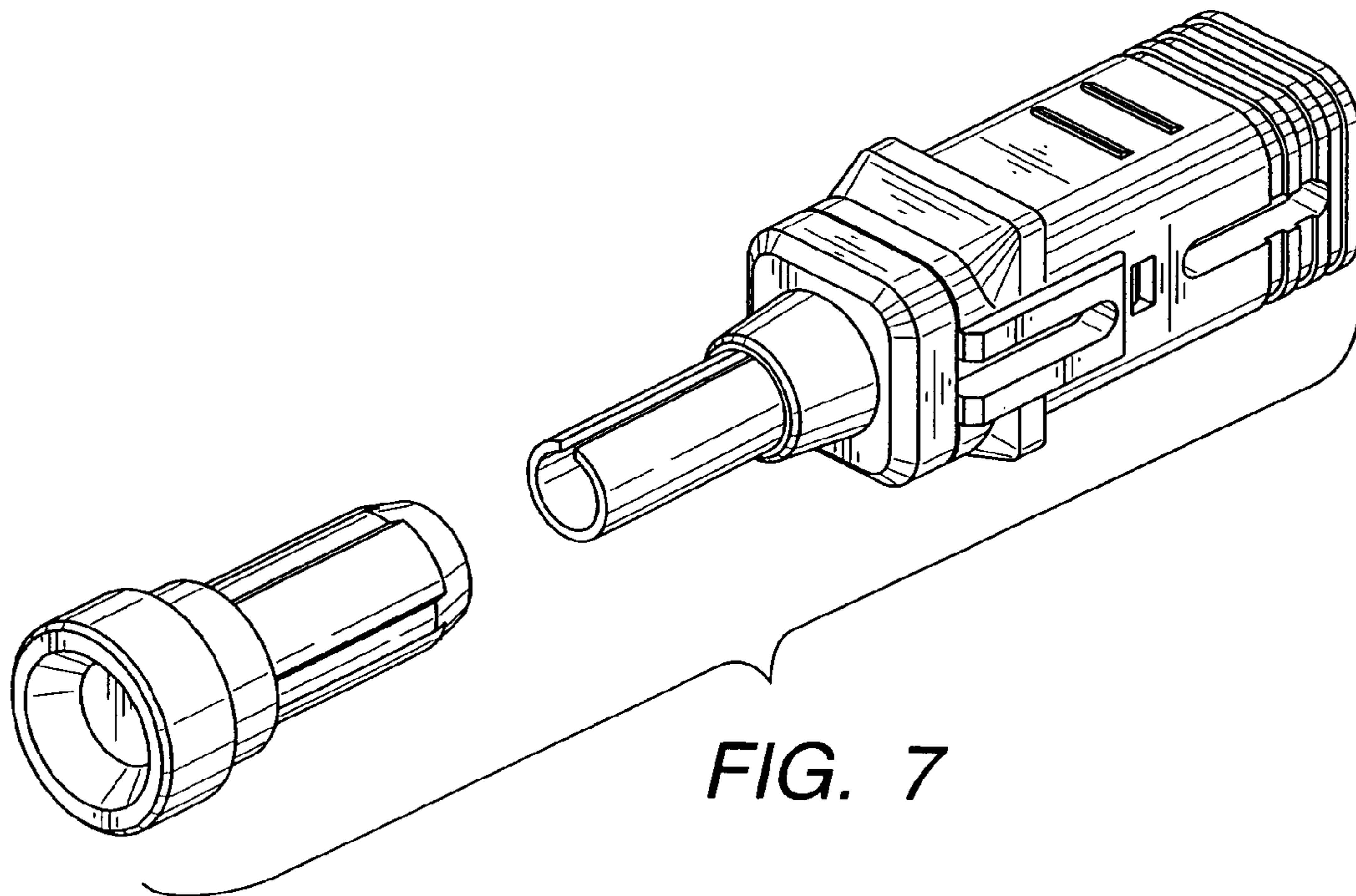


FIG. 7