



US00D556687S

(12) **United States Design Patent**
Miyamoto et al.

(10) **Patent No.:** **US D556,687 S**

(45) **Date of Patent:** **** Dec. 4, 2007**

(54) **CIRCUIT MODULE FOR PROTECTING THE BATTERY**

(75) Inventors: **Yoshiaki Miyamoto**, Atsugi (JP);
Takakazu Akashi, Atsugi (JP); **Osamu Tajima**, Atsugi (JP)

(73) Assignee: **Mitsumi Electric Co., Ltd.**, Tokyo (JP)

(**) Term: **14 Years**

(21) Appl. No.: **29/269,472**

(22) Filed: **Dec. 1, 2006**

(30) **Foreign Application Priority Data**

Jun. 6, 2006 (JP) 2006-014563

(51) **LOC (8) Cl.** **13-03**

(52) **U.S. Cl.** **D13/119**

(58) **Field of Classification Search** D13/102-106,
D13/110, 118-121, 182, 184; 429/1, 7, 46,
429/96-100, 163-164, 176; 361/824

See application file for complete search history.

(56) **References Cited**

U.S. PATENT DOCUMENTS

D448,739 S * 10/2001 Iwasaki et al. D13/182

D515,520 S * 2/2006 Komoto D13/182

7,037,608 B2 * 5/2006 Nishimura et al. 429/7
2002/0155339 A1 * 10/2002 Rudolfovich et al. 429/40
2003/0082441 A1 * 5/2003 Hovi et al. 429/123
2003/0170530 A1 * 9/2003 Nishimura et al. 429/61

* cited by examiner

Primary Examiner—Cathron C. Brooks

Assistant Examiner—Rosemary K. Tarcza

(74) *Attorney, Agent, or Firm*—Sughrue Mion Plc.

(57) **CLAIM**

The ornamental design for a circuit module for protecting the battery, as shown.

DESCRIPTION

FIG. 1 is a perspective view of the top, front and right side of a circuit module for protecting the battery showing our new design;

FIG. 2 is a front elevational view thereof;

FIG. 3 is a rear elevational view thereof;

FIG. 4 is a top plan view thereof;

FIG. 5 is a bottom plan view thereof;

FIG. 6 is a left side elevational view thereof; and,

FIG. 7 is a right side elevational view thereof.

1 Claim, 2 Drawing Sheets

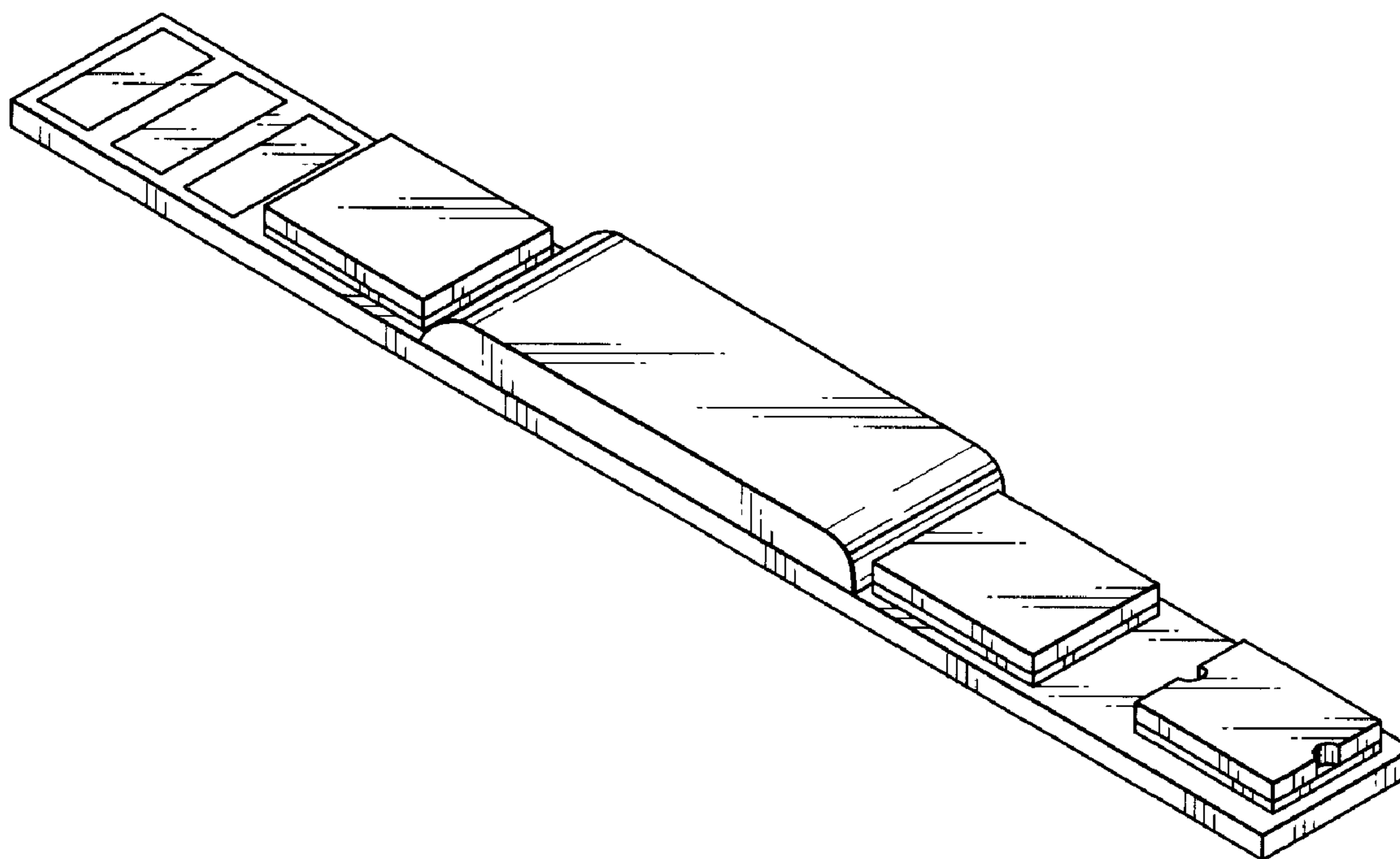


FIG.1

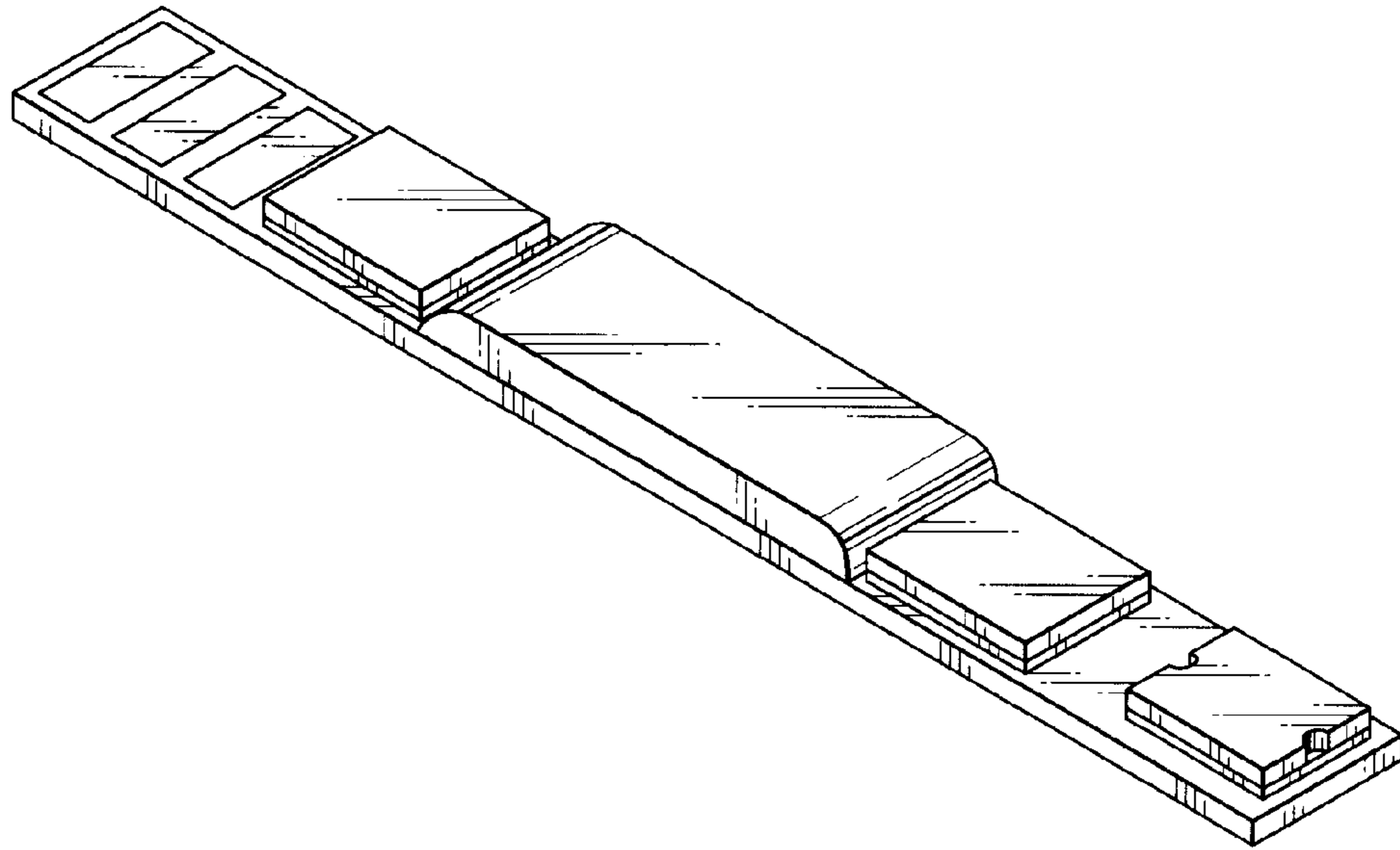


FIG.2



FIG.3



FIG.4

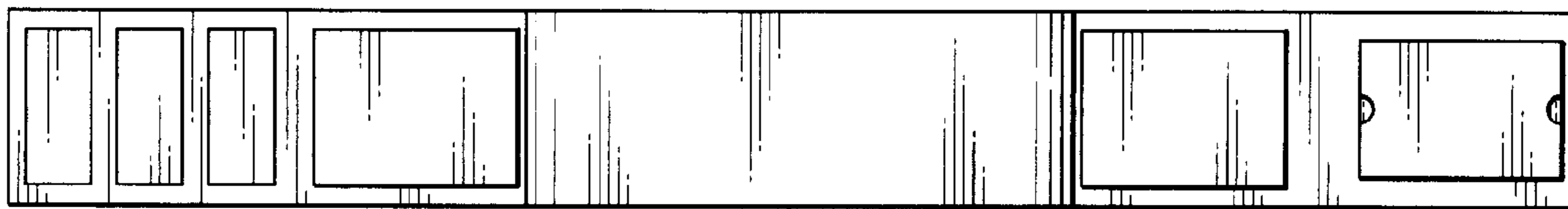


FIG.5

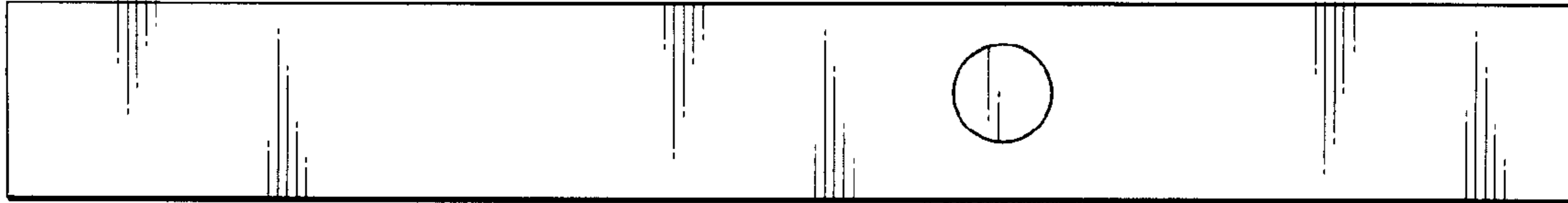


FIG.6

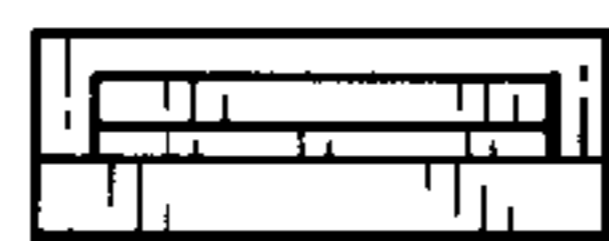


FIG.7

