



US00D556680S

(12) **United States Design Patent**
Matsumoto

(10) **Patent No.:** **US D556,680 S**
(45) **Date of Patent:** **** Dec. 4, 2007**

(54) **BATTERY FOR VIDEO CAMERA**

D515,499 S * 2/2006 Matsuda et al. D13/103

(75) Inventor: **Hiroyuki Matsumoto**, Kadoma (JP)

FOREIGN PATENT DOCUMENTS

(73) Assignee: **Matsushita Electric Industrial Co., Ltd.**, Osaka (JP)

JP	D 1202206	4/2004
JP	D 1202422	4/2004
JP	D 1202423	4/2004
JP	D 1269248	4/2006
JP	D 1269561	4/2006
JP	D 1269562	4/2006

(**) Term: **14 Years**

* cited by examiner

(21) Appl. No.: **29/272,038**

(22) Filed: **Jan. 31, 2007**

Primary Examiner—Cathron C. Brooks

Assistant Examiner—Rosemary K. Tarcza

(30) **Foreign Application Priority Data**

Aug. 10, 2006 (JP) 2006-021315

(74) *Attorney, Agent, or Firm*—Brinks Hofer Gilson & Lione

(51) **LOC (8) Cl.** **13-02**

(52) **U.S. Cl.** **D13/103**

(58) **Field of Classification Search** D13/102–106,
D13/110, 118–119, 184; 429/96–100, 163,
429/176

See application file for complete search history.

(57) **CLAIM**

I claim the ornamental design for a battery for video camera, as shown and described.

(56) **References Cited**

U.S. PATENT DOCUMENTS

D299,226 S *	1/1989	Toth et al.	D13/103
D305,639 S *	1/1990	Miki et al.	D13/103
D376,346 S *	12/1996	Ullrich	D13/103
D439,217 S	3/2001	Melnicoff	
D446,183 S *	8/2001	Miyashita	D13/103
D487,250 S	3/2004	Kikutani	
D503,673 S *	4/2005	Rosengrant	D13/103
D503,922 S	4/2005	Shimizu	
D512,018 S *	11/2005	Matsuda et al.	D13/103

DESCRIPTION

FIG. 1 is a front perspective view of a battery for video camera of the present invention;

FIG. 2 is a rear perspective view thereof;

FIG. 3 is a front view thereof;

FIG. 4 is a first side view thereof;

FIG. 5 is a second side view thereof;

FIG. 6 is a top view thereof;

FIG. 7 is a bottom view thereof; and,

FIG. 8 is a rear view thereof.

1 Claim, 4 Drawing Sheets

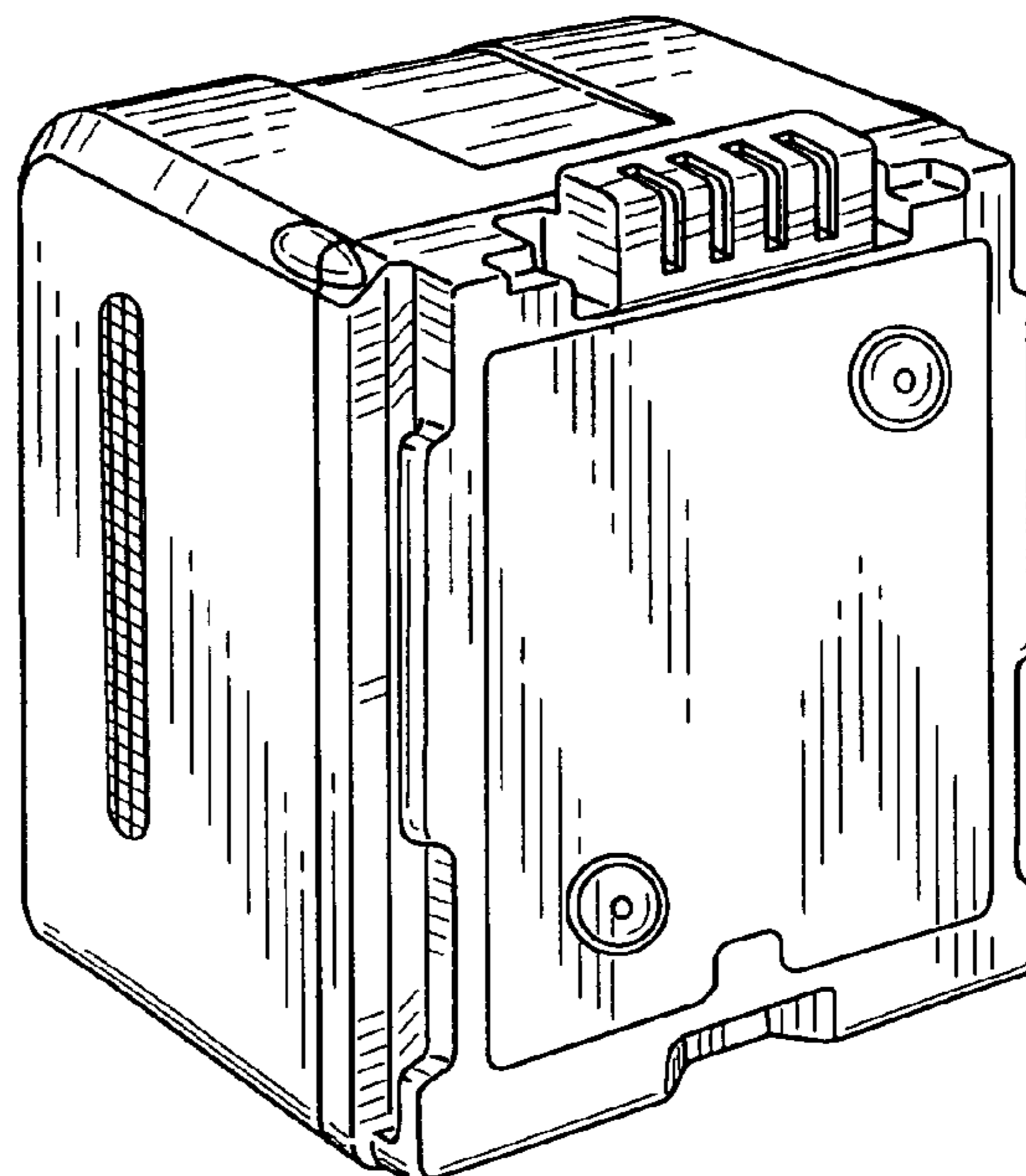
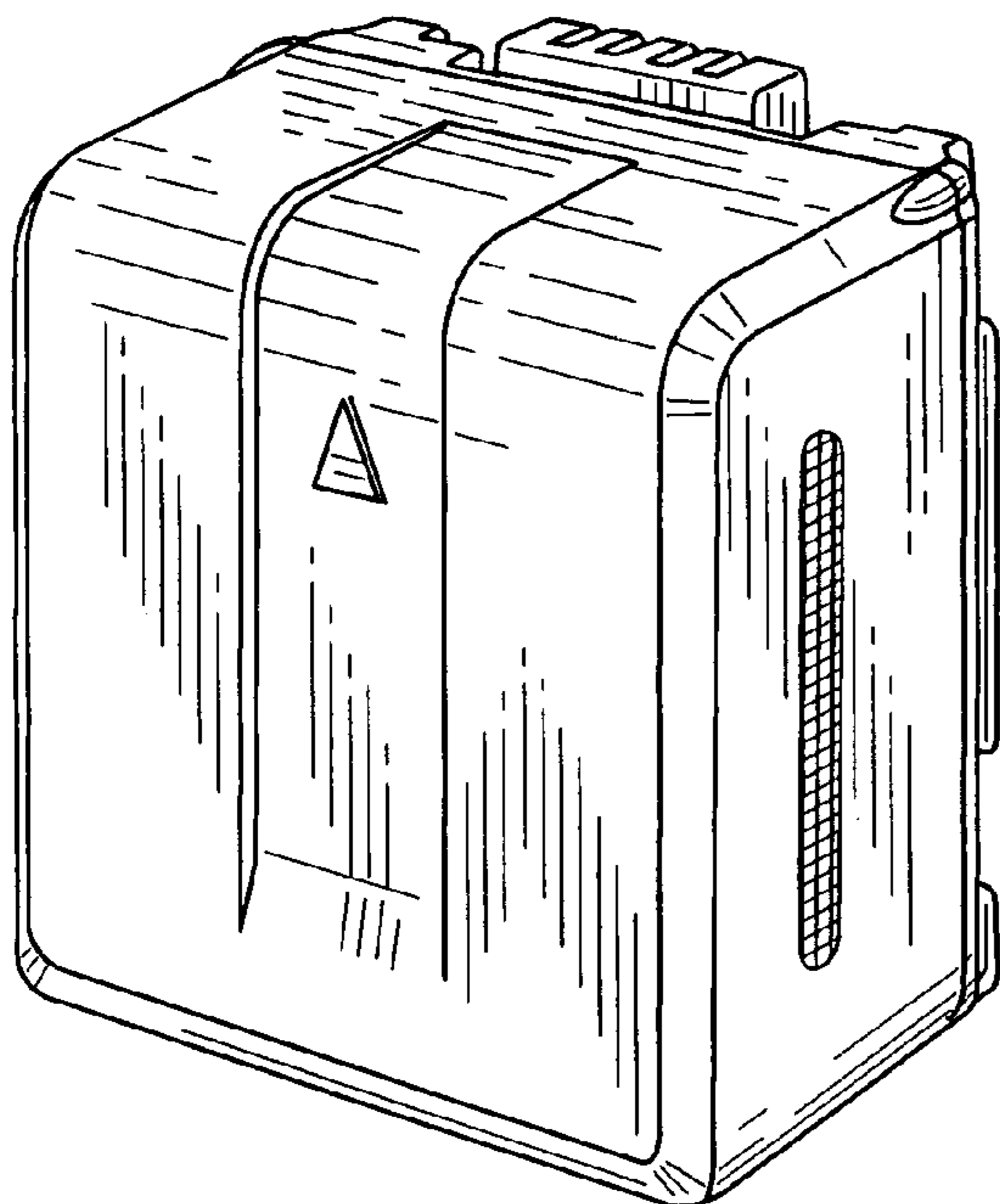


FIG.1

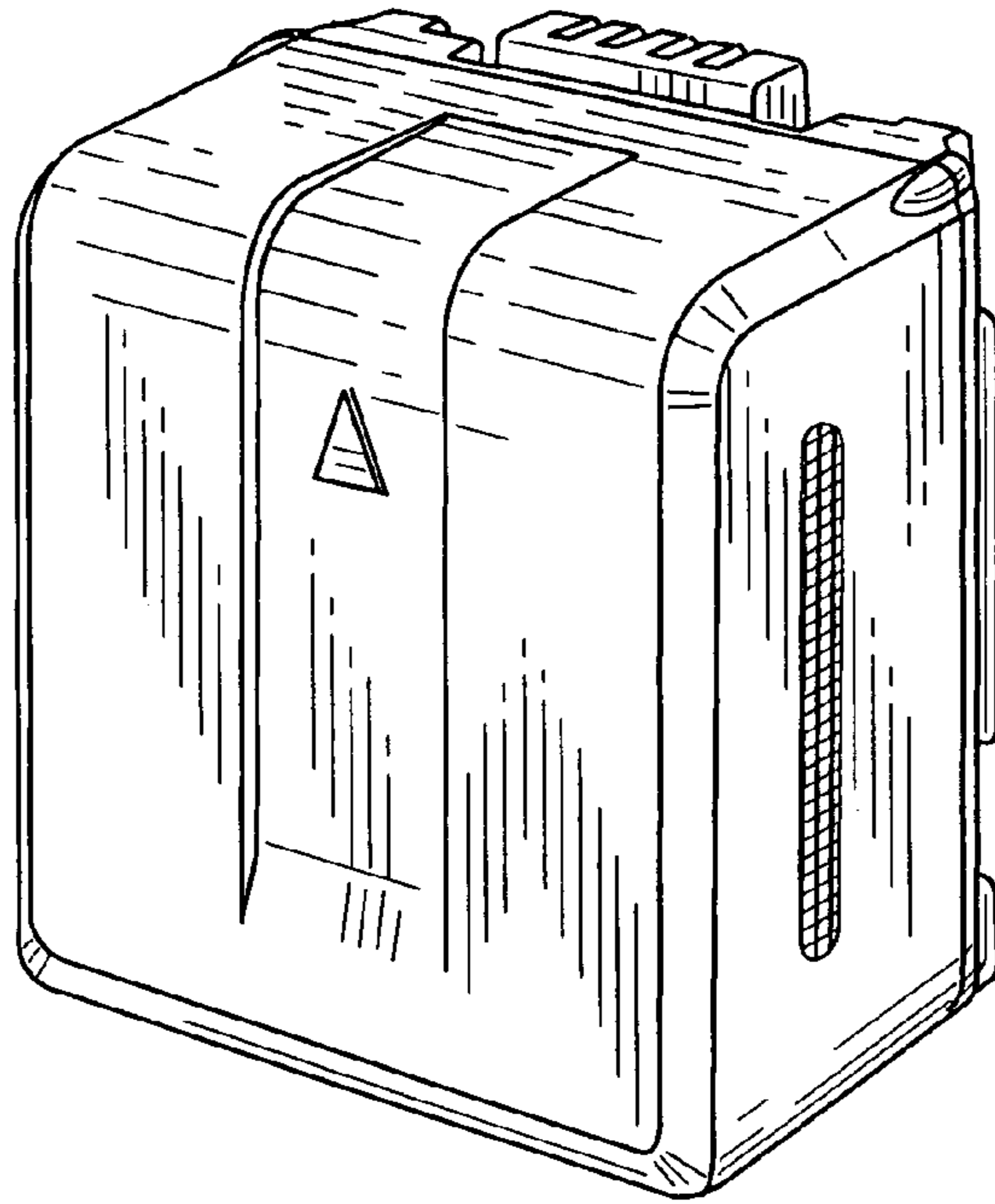


FIG.2

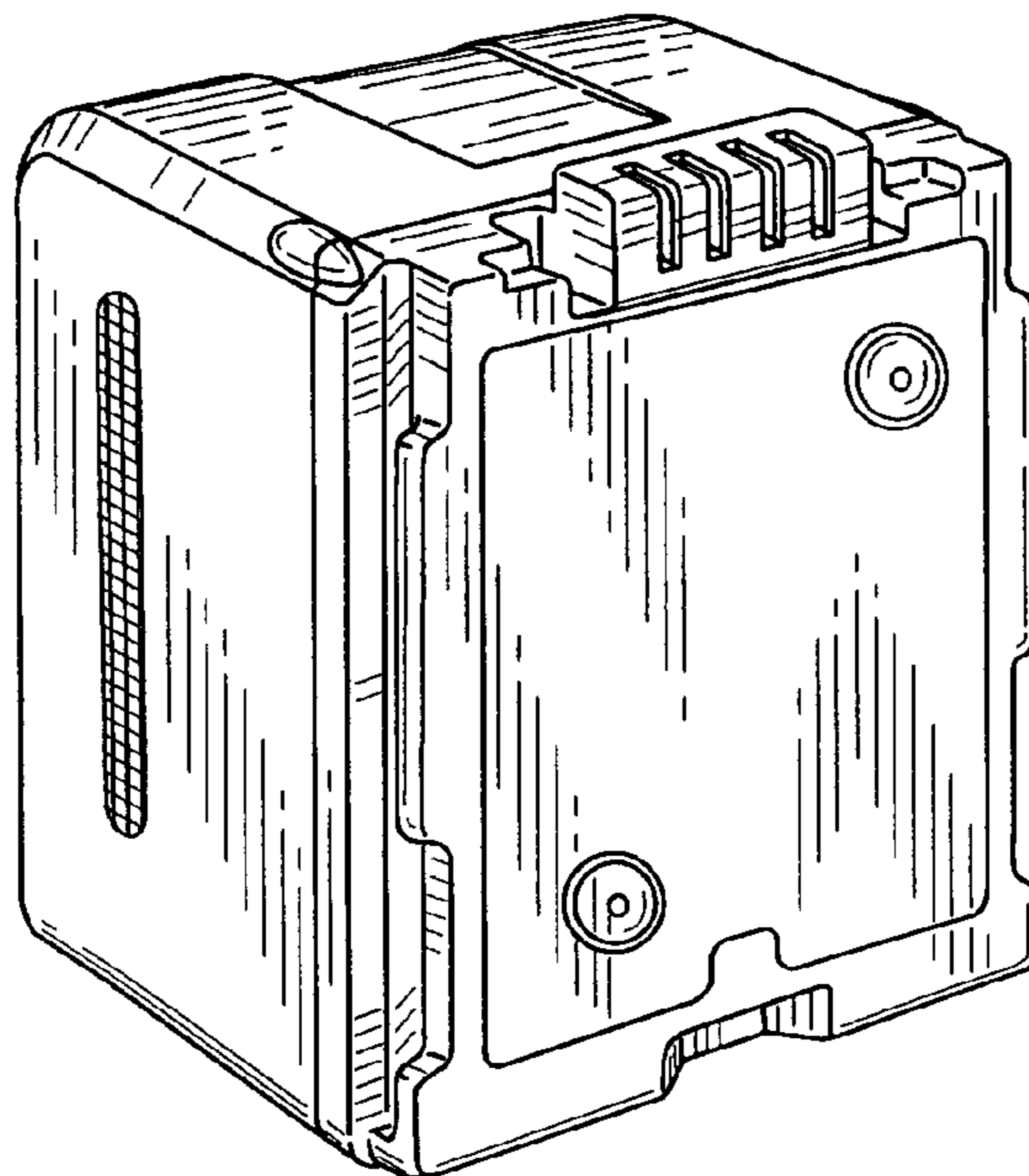


FIG.3

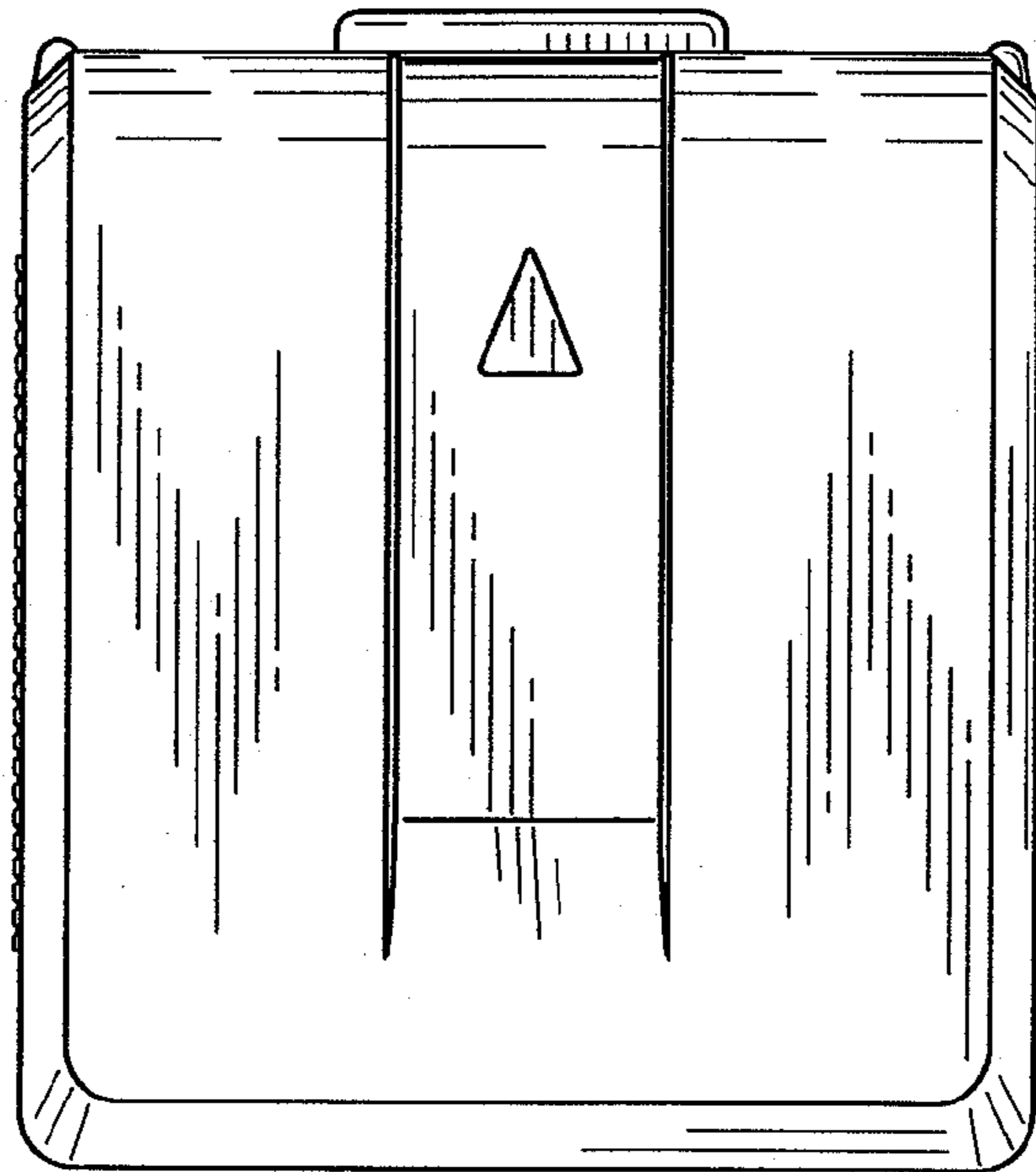


FIG.4

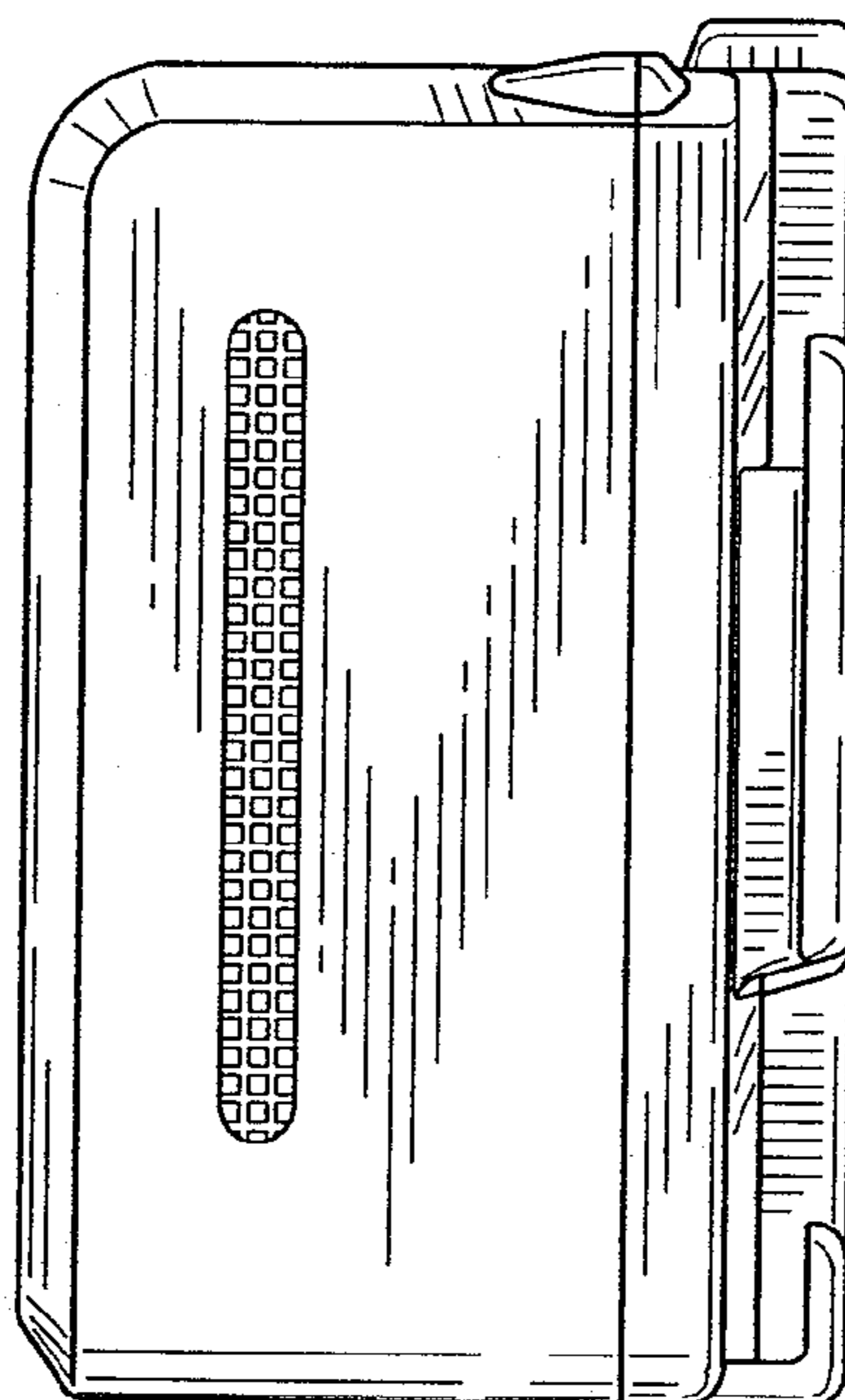


FIG.5

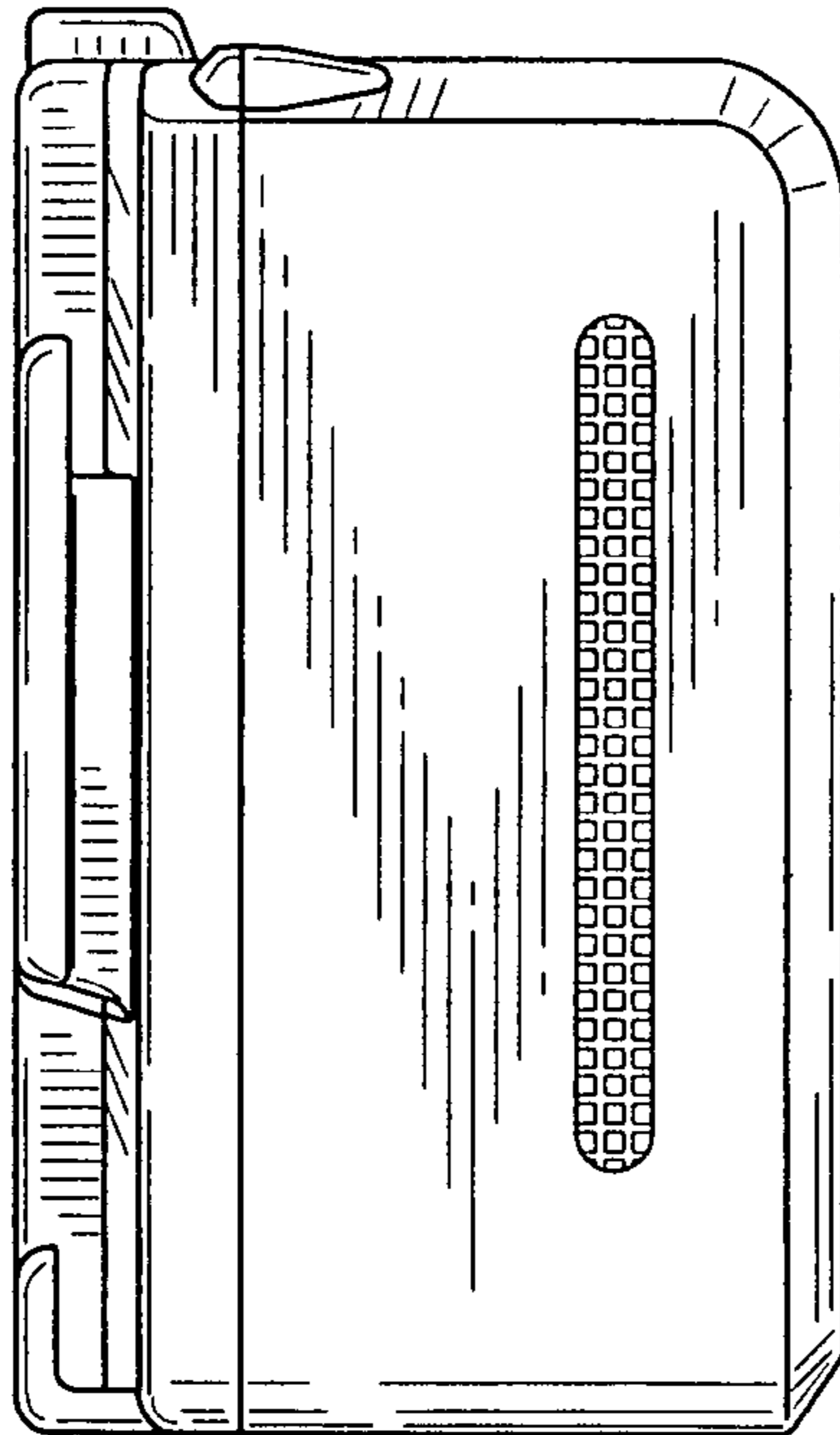


FIG.6

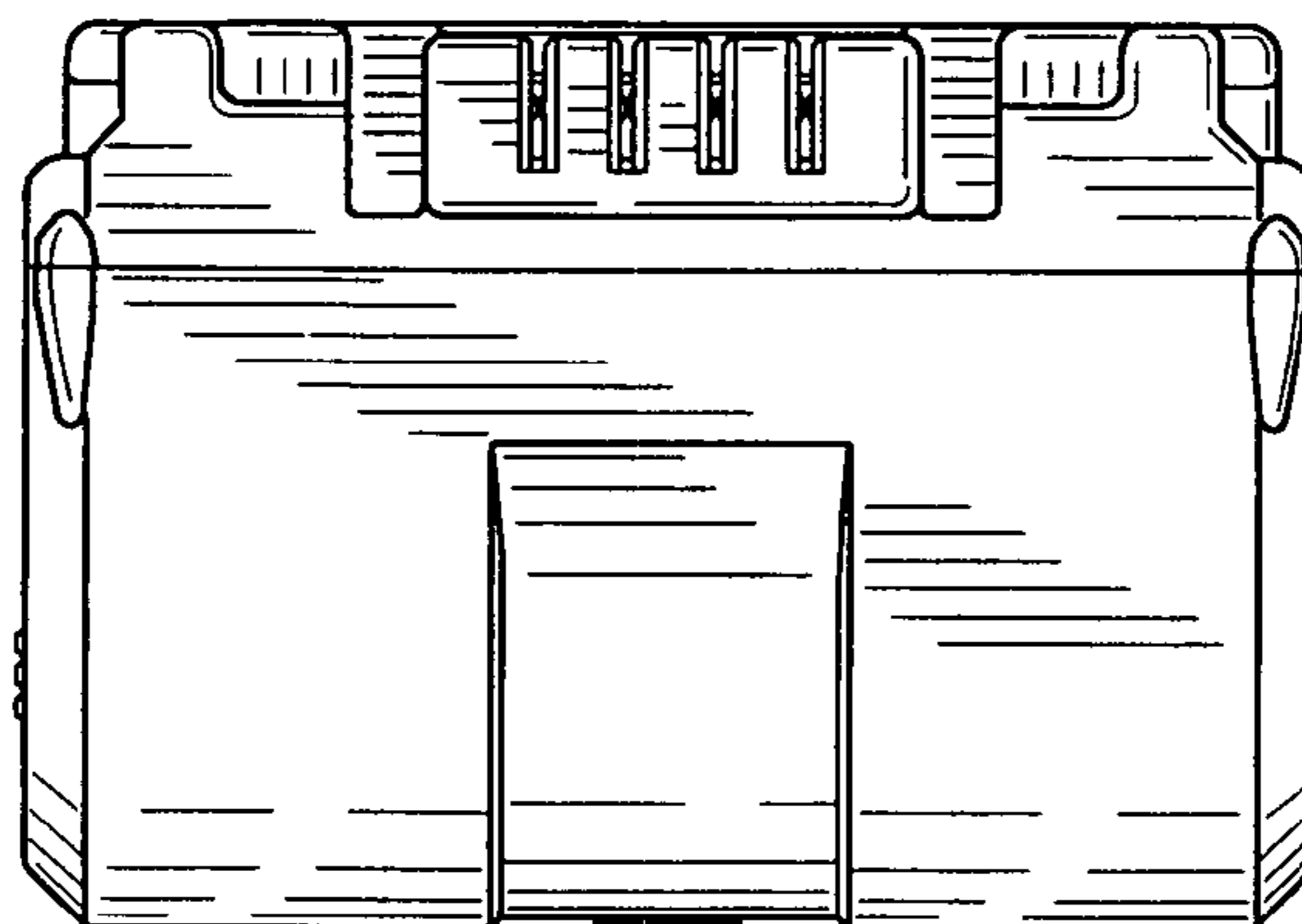


FIG.7

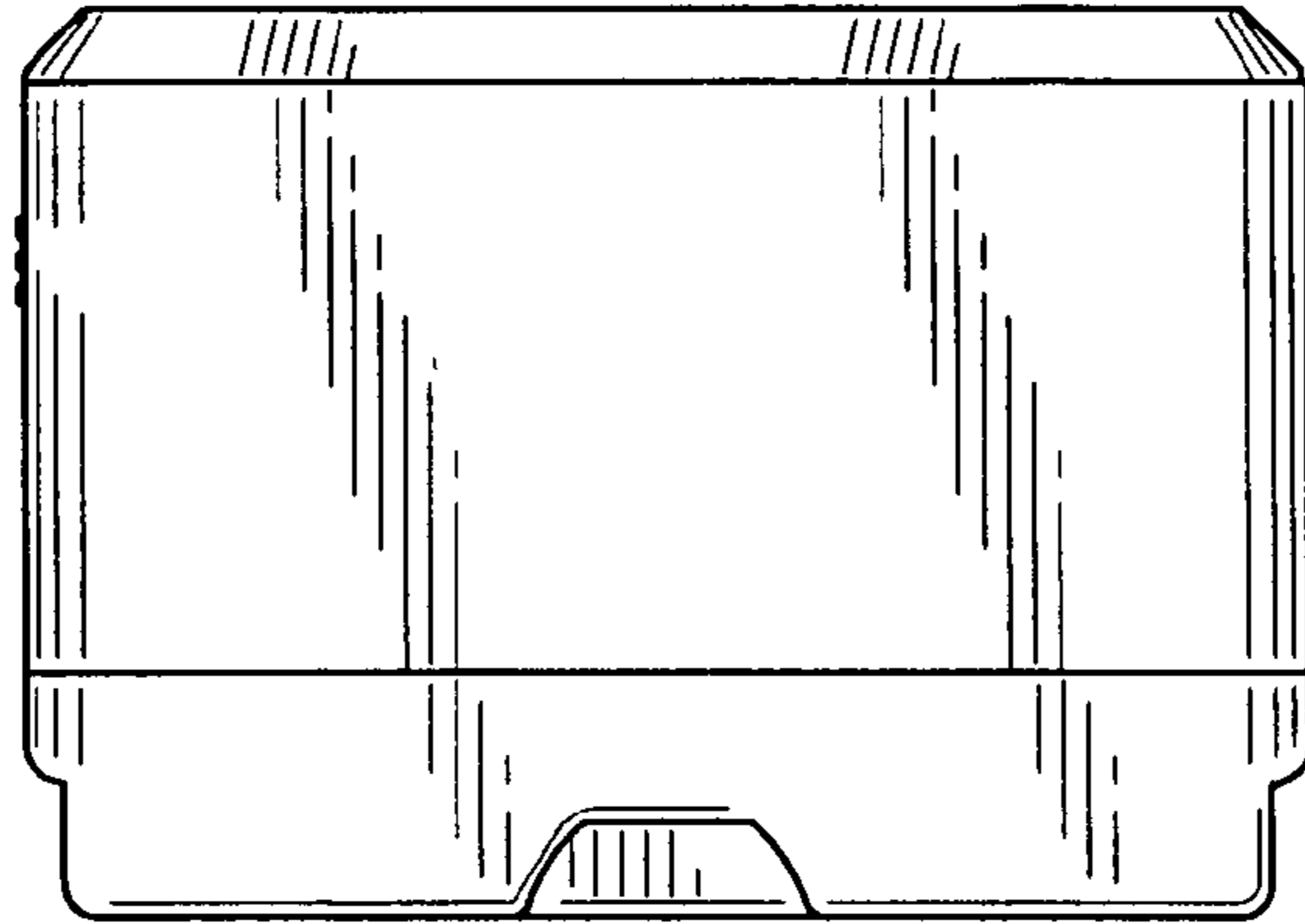


FIG.8

