



US00D556679S

(12) **United States Design Patent**  
**Weinstein et al.**

(10) **Patent No.:** **US D556,679 S**

(45) **Date of Patent:** **\*\* Dec. 4, 2007**

(54) **EXTERNAL POWER DEVICE**

(75) Inventors: **Nir Weinstein**, Bat-Hefer (IL); **Michael Librus**, Netanya (IL); **William J. Moore**, Lakewood, OH (US)

(73) Assignee: **Eveready Battery Company, Inc.**, St. Louis, MO (US)

(\*\*) Term: **14 Years**

(21) Appl. No.: **29/271,735**

(22) Filed: **Jan. 25, 2007**

(51) **LOC (8) Cl.** ..... **13-02**

(52) **U.S. Cl.** ..... **D13/103; D13/108**

(58) **Field of Classification Search** ..... D13/102–108,  
D13/110, 118–119, 184; 429/96–100, 163,  
429/176

See application file for complete search history.

(56) **References Cited**

**U.S. PATENT DOCUMENTS**

D369,343 S *	4/1996	Bliven .....	D13/108
D374,426 S *	10/1996	Nuovo .....	D13/108
D386,147 S *	11/1997	Siddoway et al. ....	D13/103
D409,561 S *	5/1999	Chintala et al. ....	D13/103
D415,098 S *	10/1999	Zimmer .....	D13/103
6,236,187 B1 *	5/2001	Chen .....	320/113
D465,451 S *	11/2002	Hirano et al. ....	D13/107
D511,743 S *	11/2005	Hriscu et al. ....	D13/107

D543,503 S \* 5/2007 Suzuki ..... D13/110

\* cited by examiner

*Primary Examiner*—Cathron C. Brooks

*Assistant Examiner*—Rosemary K. Tarcza

(74) *Attorney, Agent, or Firm*—Gregory J. Adams

(57) **CLAIM**

We claim the ornamental design for an external power device, as shown and described.

**DESCRIPTION**

FIG. 1 is a perspective view of the external power device of the present invention.

FIG. 2 is a top view of the external power device of the present invention.

FIG. 3 is a bottom view of the external power device of the present invention.

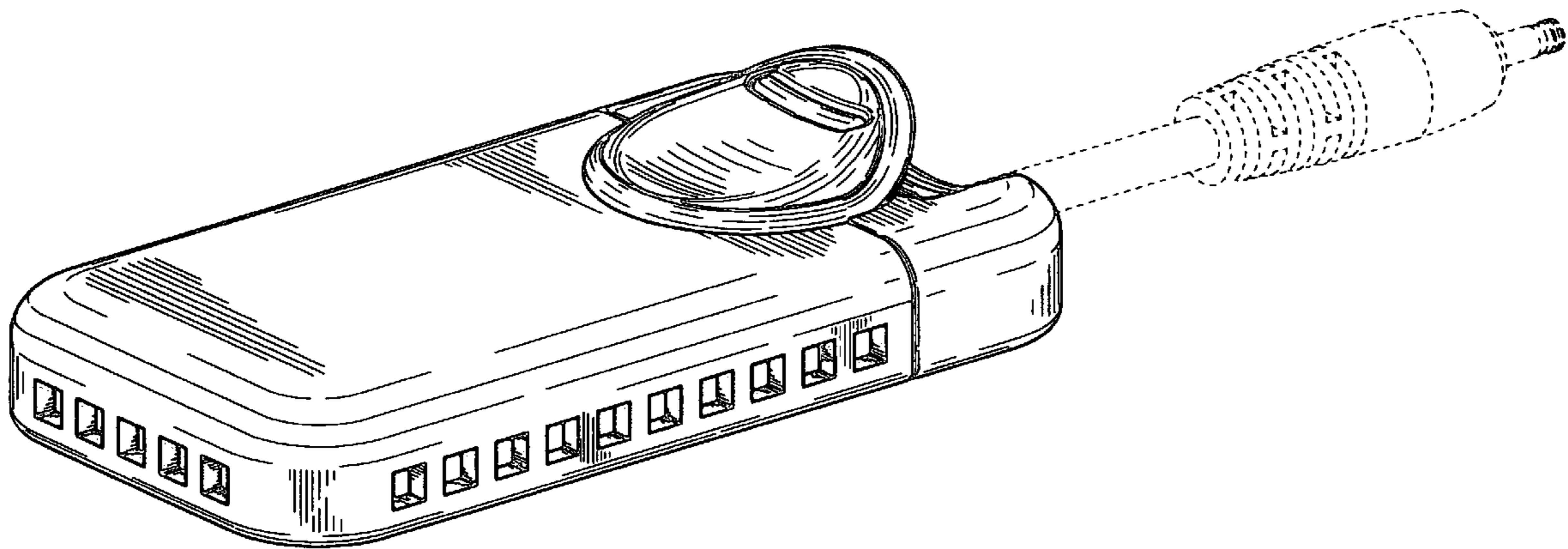
FIG. 4 is a side view of the external power device of the present invention.

FIG. 5 is a front view of the external power device of the present invention; and,

FIG. 6 is a rear view of the external power device of the present invention.

The broken line showing is included for the purpose of illustrating environment and forms no part of the claimed design.

**1 Claim, 4 Drawing Sheets**



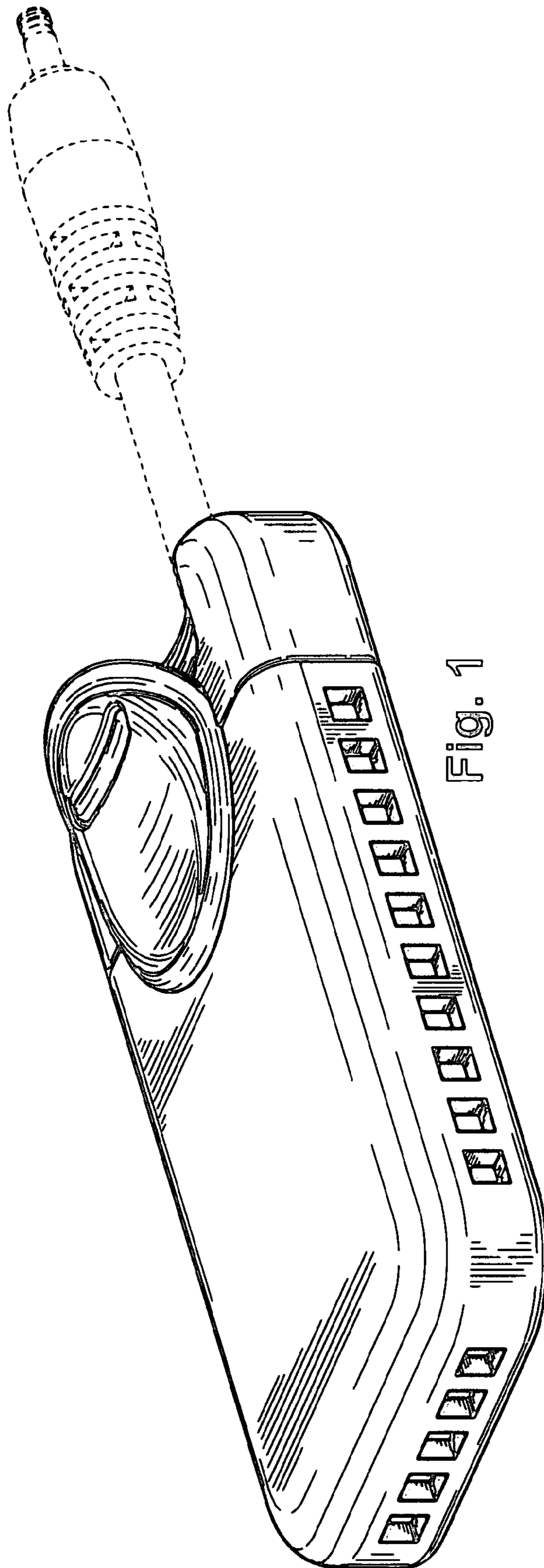


Fig. 1

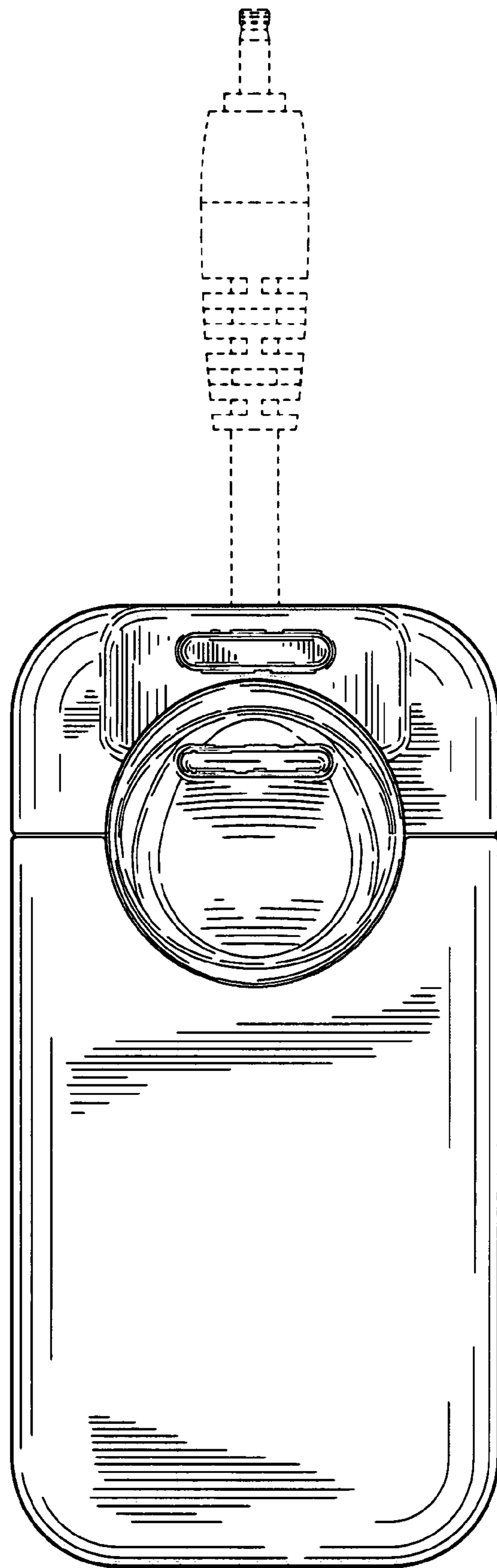


Fig. 2

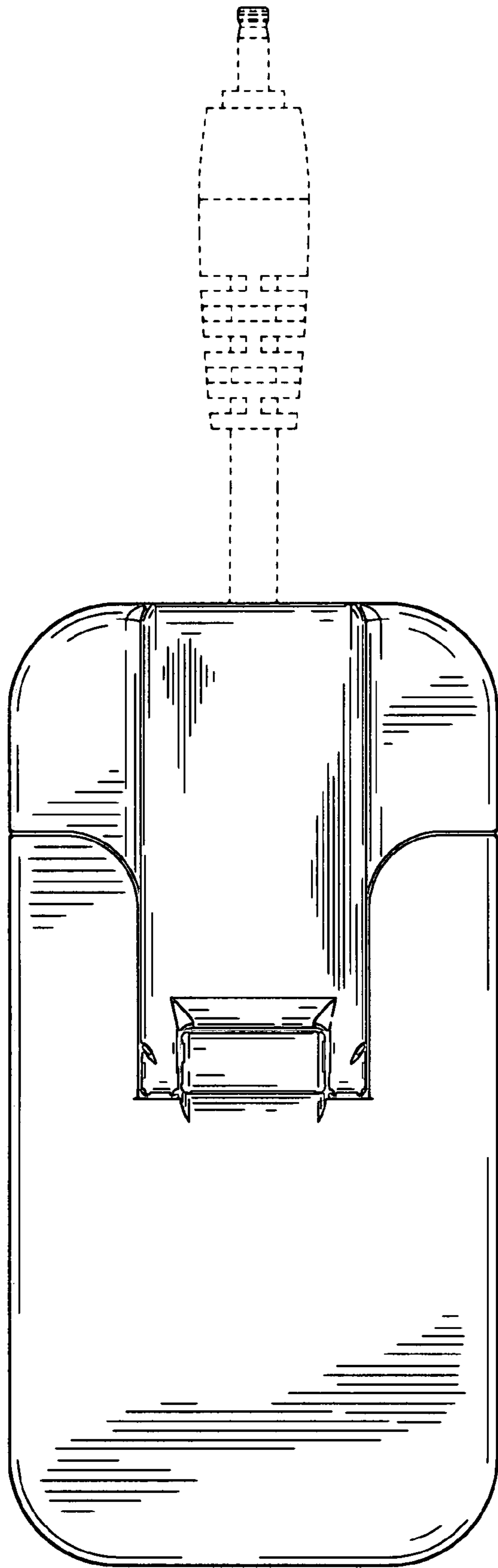
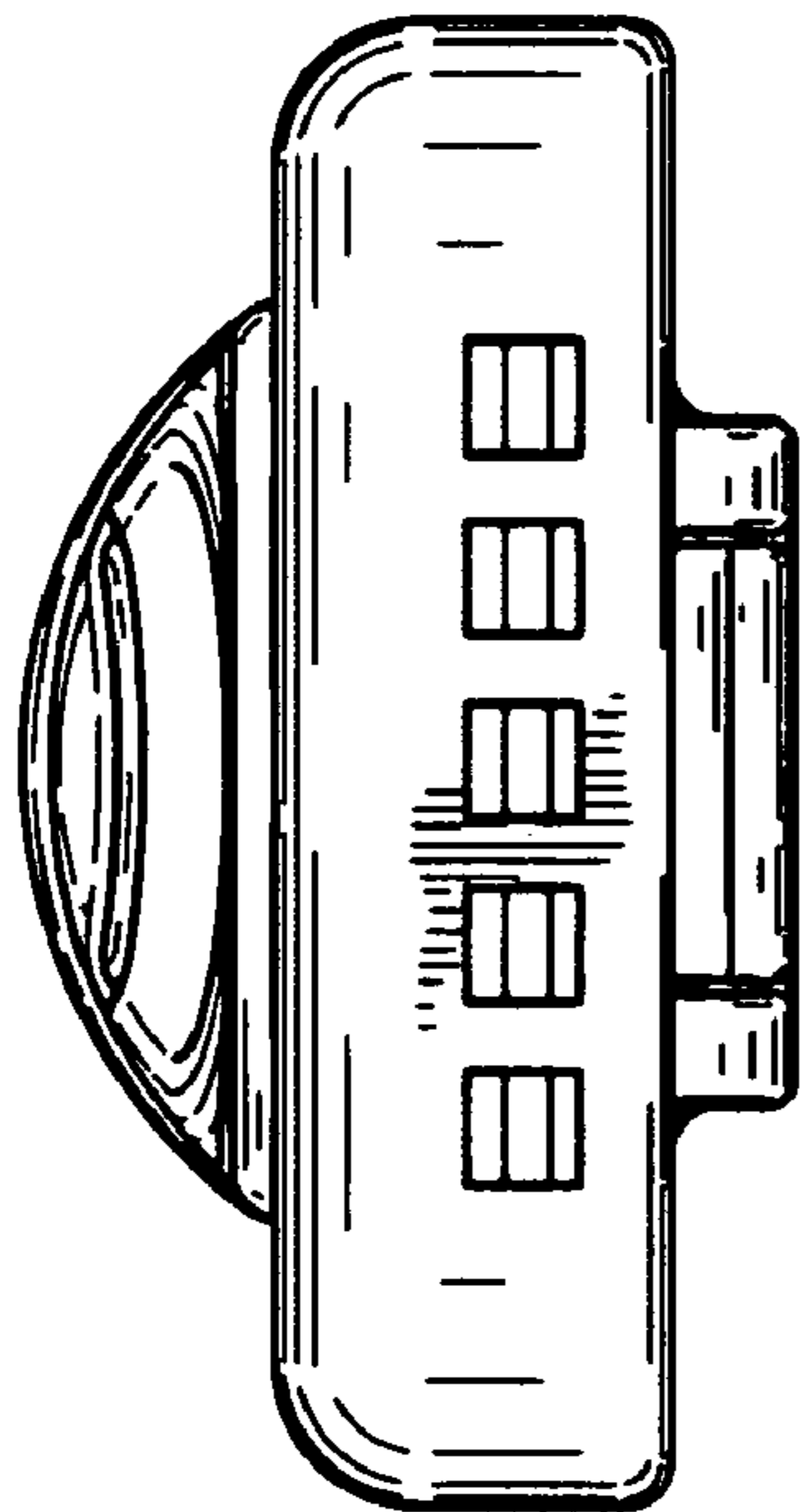


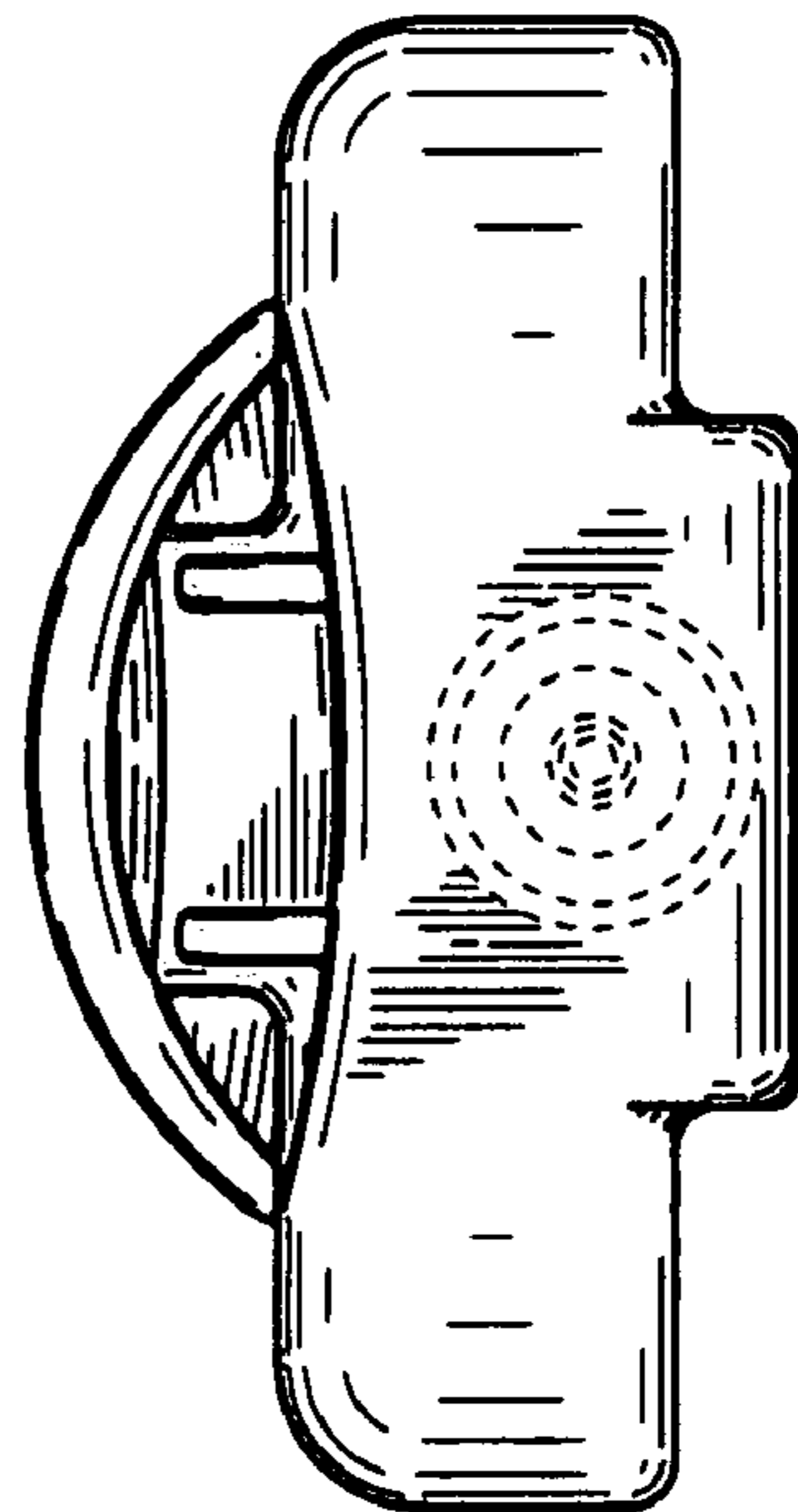
Fig. 3



Fig. 4



**Fig. 5**



**Fig. 6**