



US00D556677S

(12) **United States Design Patent** (10) **Patent No.:** **US D556,677 S**
Watson (45) **Date of Patent:** **** Dec. 4, 2007**

(54) **BATTERY PACK**

(75) Inventor: **James B. Watson**, Fallston, MD (US)

(73) Assignee: **Black & Decker Inc.**, Newark, DE (US)

(**) Term: **14 Years**

(21) Appl. No.: **29/268,378**

(22) Filed: **Nov. 6, 2006**

Related U.S. Application Data

(63) Continuation of application No. 29/256,117, filed on Mar. 16, 2006, now Pat. No. Des. 535,250, which is a continuation of application No. 29/229,917, filed on May 13, 2005, now Pat. No. Des. 522,964.

(51) **LOC (8) Cl.** **13-02**

(52) **U.S. Cl.** **D13/103**

(58) **Field of Classification Search** D13/102–106, D13/110, 118–119, 184; 426/96–100, 163, 426/176

See application file for complete search history.

(56) **References Cited**

U.S. PATENT DOCUMENTS

D436,917 S * 1/2001 Hayakawa et al. D13/103
D456,002 S * 4/2002 Kato et al. D13/103
D477,811 S * 7/2003 Niwa et al. D13/103
D481,672 S * 11/2003 Niwa et al. D13/103
6,783,886 B1 * 8/2004 Sakakibara et al. 429/99

D511,744 S * 11/2005 Hsu et al. D13/108
D512,373 S * 12/2005 Tsai et al. D13/108
D512,961 S * 12/2005 Okuda et al. D13/103
D516,504 S * 3/2006 Okuda et al. D13/103
D523,807 S * 6/2006 Murayama et al. D13/103
D524,728 S * 7/2006 Watson D13/103
D535,250 S * 1/2007 Watson D13/103
D537,408 S * 2/2007 Aglassinger D13/103

* cited by examiner

Primary Examiner—Cathron C. Brooks

Assistant Examiner—Rosemary K. Tarcza

(74) *Attorney, Agent, or Firm*—Adan Ayala

(57) **CLAIM**

The ornamental design for a battery pack, as shown and described.

DESCRIPTION

FIG. 1 is a perspective view of a battery pack according to the invention.

FIG. 2 is a front elevational view thereof.

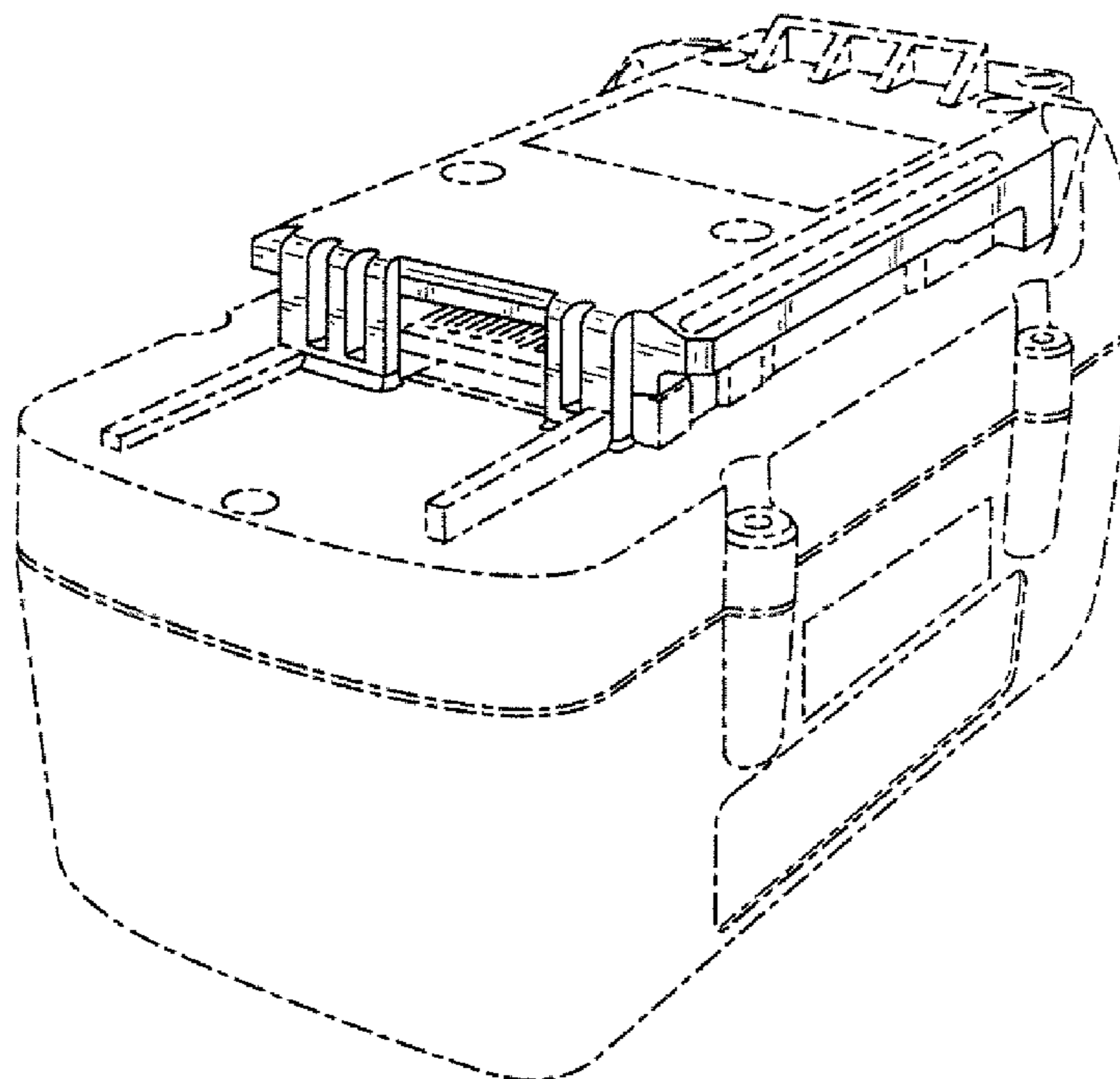
FIG. 3 is a left elevational view thereof.

FIG. 4 is a right elevational view thereof; and,

FIG. 5 is a top plan view thereof.

The broken line showing is included for the purpose of illustrating environment and forms no part of the claimed design.

1 Claim, 5 Drawing Sheets



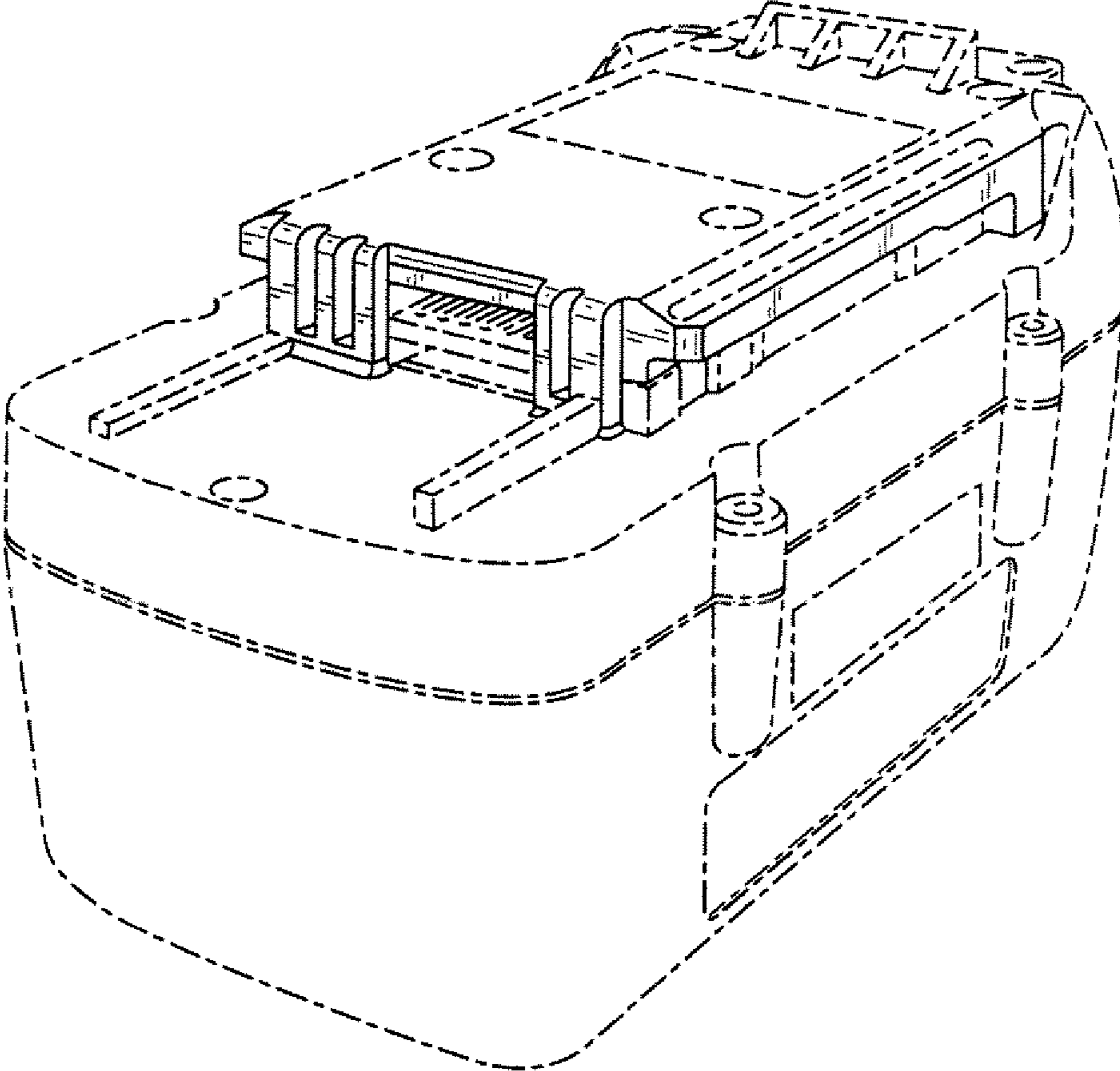


FIG. 1

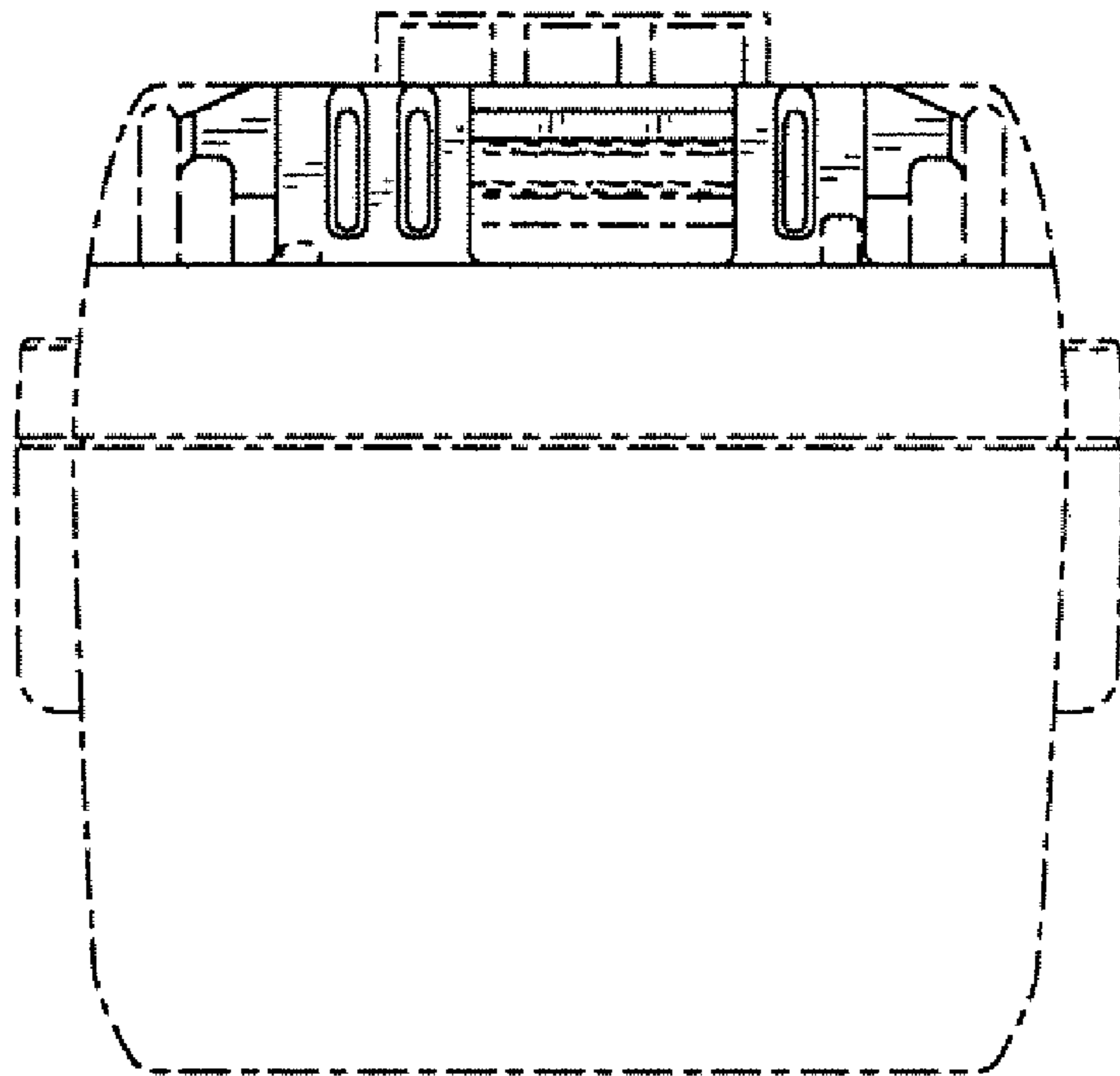


FIG. 2

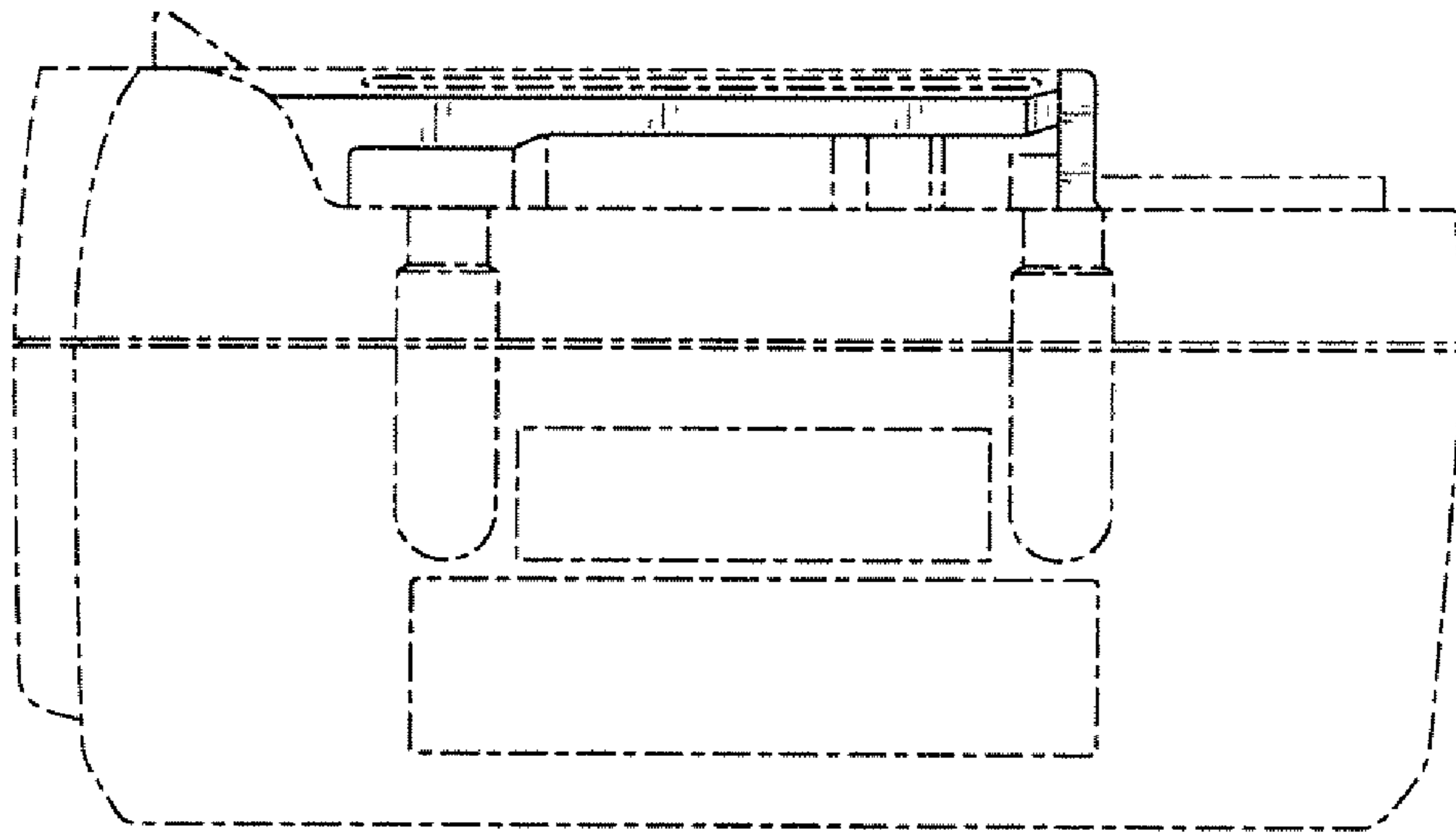


FIG. 3

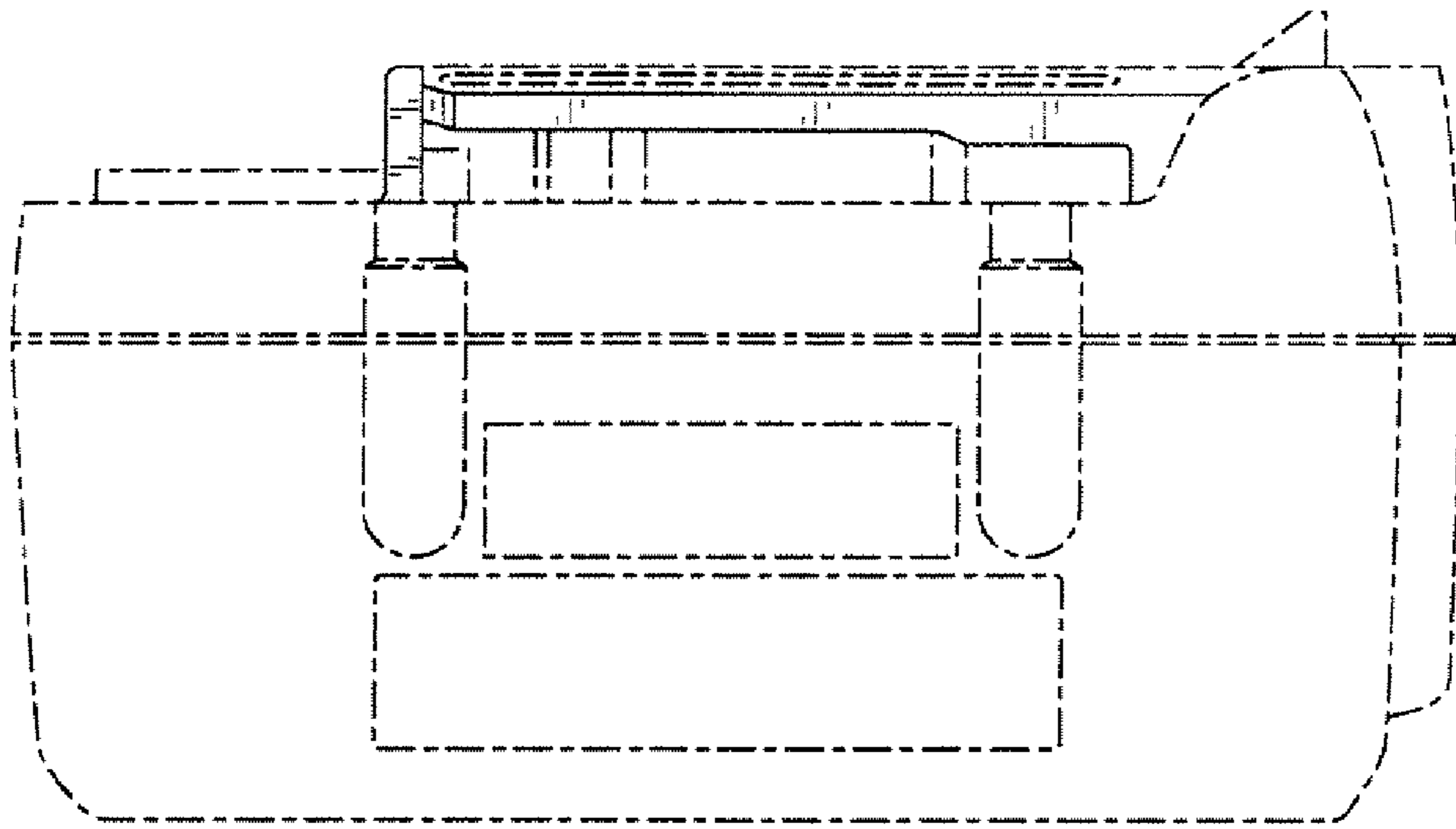


FIG. 4

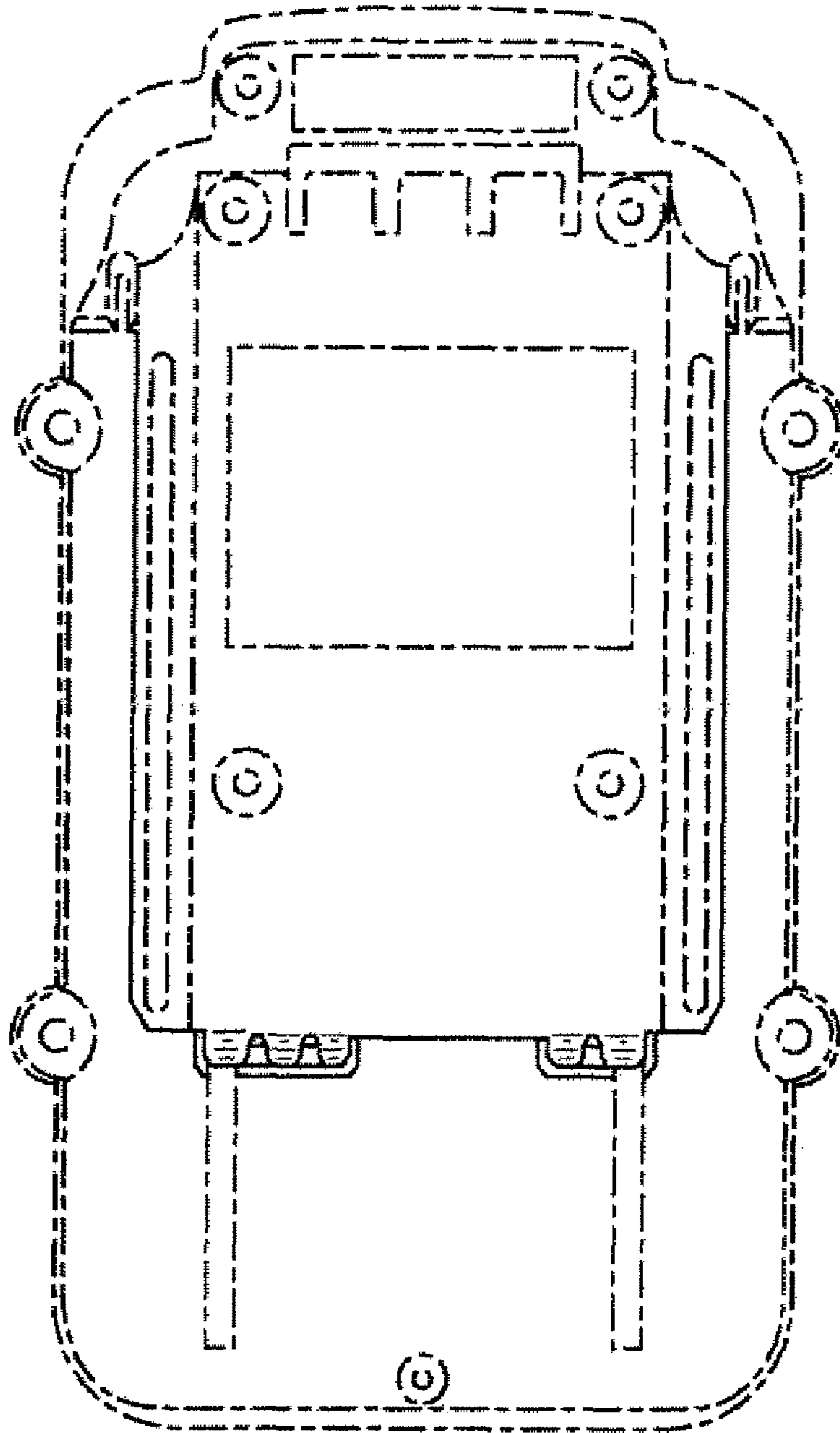


FIG. 5