



US00D556676S

(12) **United States Design Patent**  
**Montesinos**

(10) **Patent No.:** **US D556,676 S**

(45) **Date of Patent:** **\*\* Dec. 4, 2007**

(54) **LINING FOR THE HOOP OF A RADIAL TIRE**

(76) Inventor: **Alejandro Gutierrez Montesinos**, Carr. Acceso a las Bombas S/N, Fracc. Industrial La Paz, 42092 Mineral de la Reforma, Hidalgo (MX) 42092

(\*\*) Term: **14 Years**

(21) Appl. No.: **29/247,094**

(22) Filed: **May 30, 2006**

(30) **Foreign Application Priority Data**

Dec. 1, 2005 (BR) ..... DI 6504404-5

(51) **LOC (8) Cl.** ..... **12-15**

(52) **U.S. Cl.** ..... **D12/604**

(58) **Field of Classification Search** ..... D12/500, D12/501, 544, 579, 604, 608; 36/59 R, 59 B, 36/67 A; 152/64, 110, 164, 208, 209.12, 152/210, 222, 225 R, 226, 243; 305/19, 305/187, 189, 191  
See application file for complete search history.

(56) **References Cited**

**U.S. PATENT DOCUMENTS**

D20,678 S \* 4/1891 Coops ..... D12/500

D30,037 S \* 1/1899 Haak ..... D12/604  
1,416,187 A \* 5/1922 Gammeter ..... 152/501  
2,474,013 A \* 6/1949 Rawls ..... 156/96  
4,046,428 A \* 9/1977 Bauer ..... 152/185.1

\* cited by examiner

*Primary Examiner*—Robert M. Spear

*Assistant Examiner*—Katrina A Kile

(74) *Attorney, Agent, or Firm*—Veronica-Adele R. Cao; Weiss & Moy, P.C.

(57) **CLAIM**

The ornamental design for a lining for the hoop of a radial tire, as shown and described.

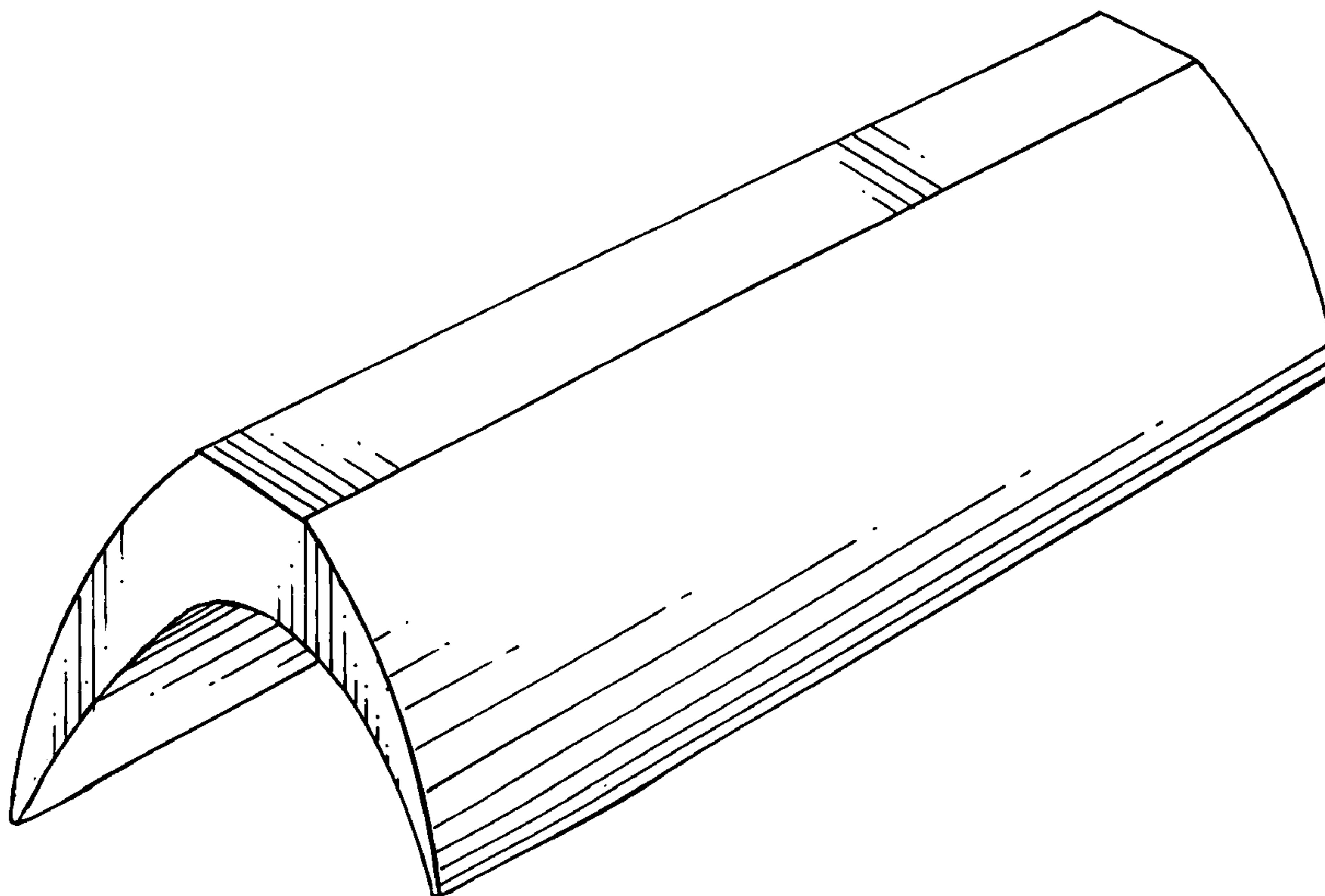
**DESCRIPTION**

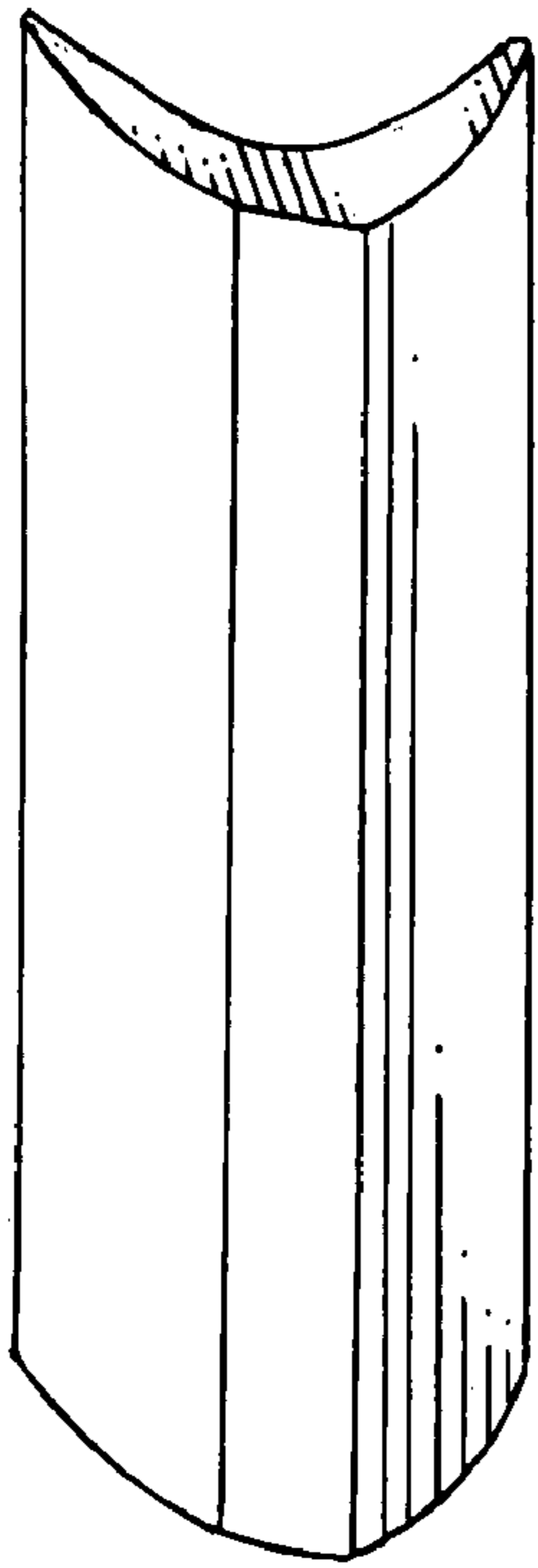
FIG. 1 is a top perspective view of a lining for the hoop of a radial tire showing my new design.

FIG. 2 is a rear perspective view thereof; and,

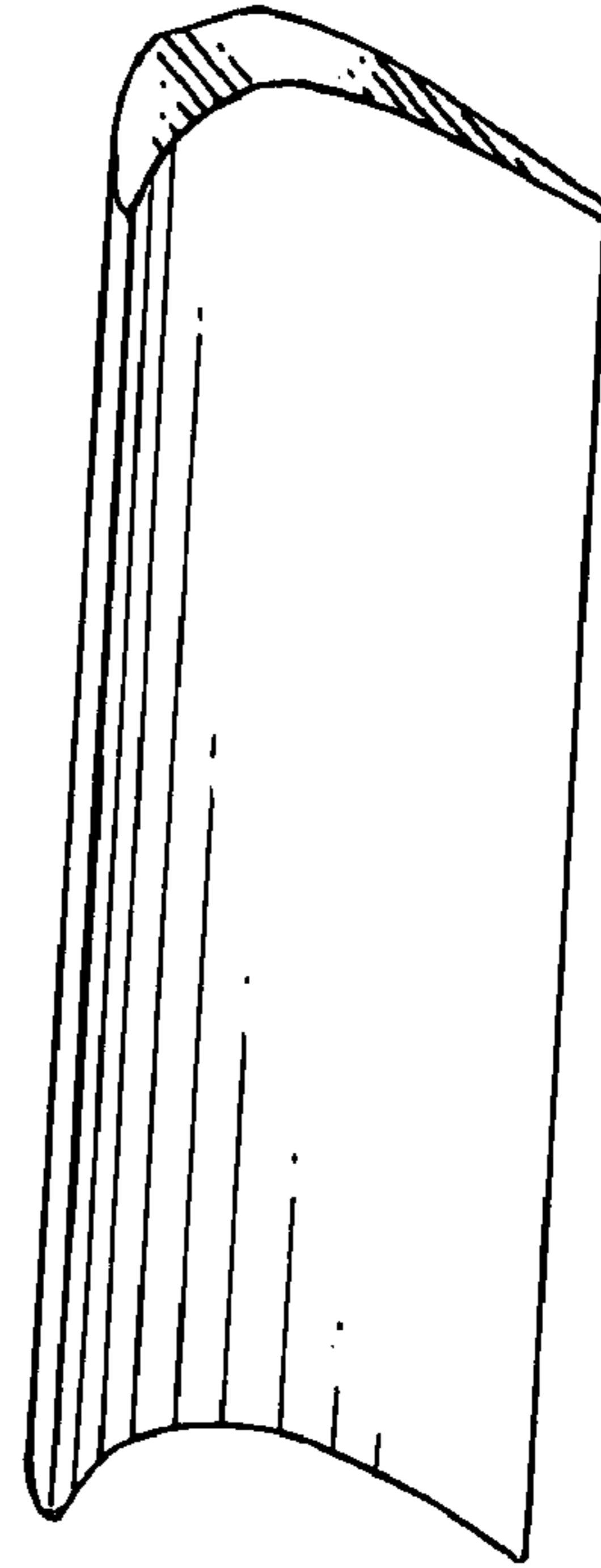
FIG. 3 is an alternative top left perspective view thereof.

**1 Claim, 1 Drawing Sheet**

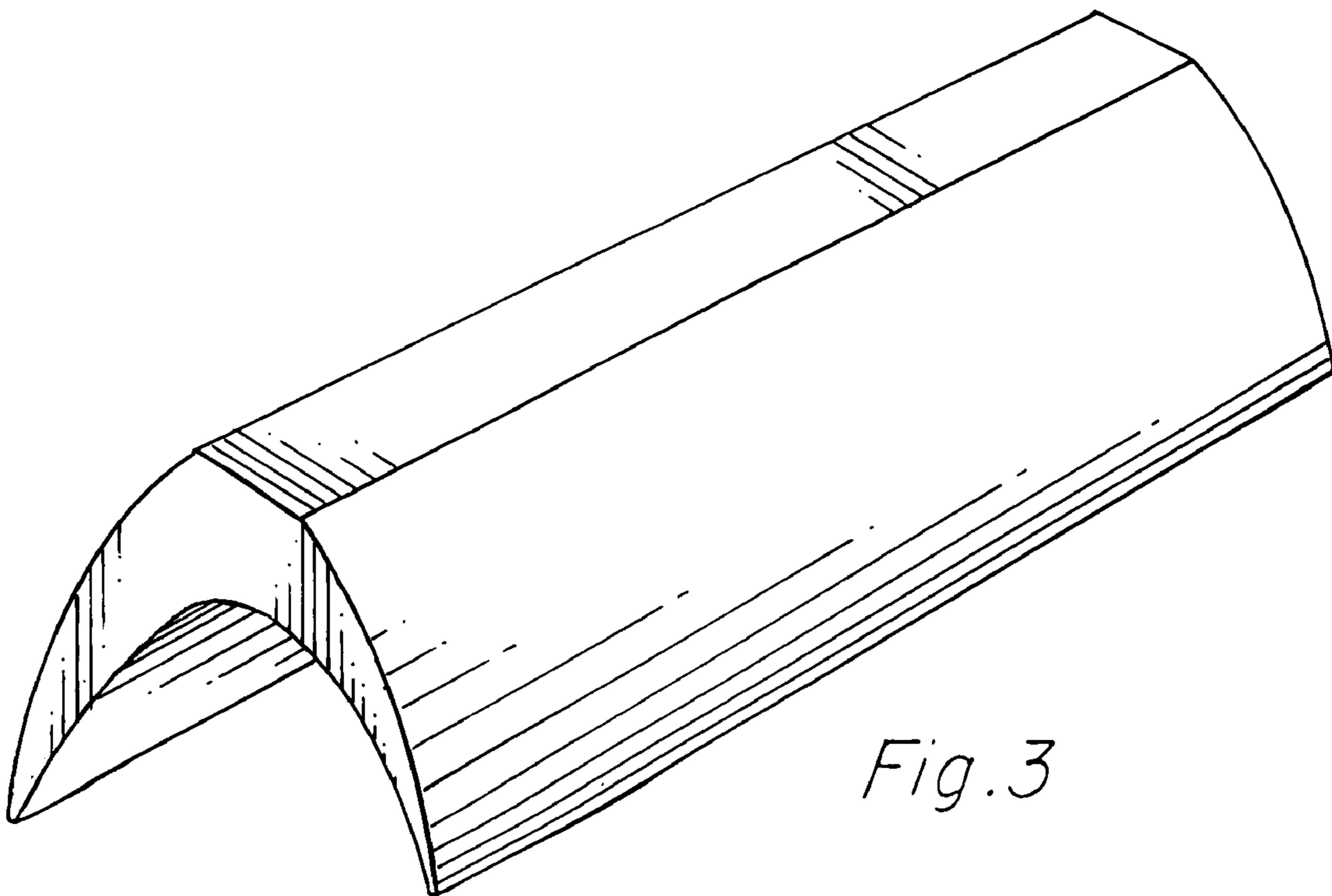




*Fig. 1*



*Fig. 2*



*Fig. 3*