



US00D556668S

(12) **United States Design Patent** (10) **Patent No.:** **US D556,668 S**
Quinn (45) **Date of Patent:** **** Dec. 4, 2007**

(54) **PONTOON BOAT**

(75) Inventor: **Brian Quinn**, 319 Valley Brook Rd., Ambler, PA (US) 19002

(73) Assignee: **Brian Quinn**, Ambler, PA (US)

(**) Term: **14 Years**

(21) Appl. No.: **29/260,373**

(22) Filed: **May 23, 2006**

(51) **LOC (8) Cl.** **12-06**

(52) **U.S. Cl.** **D12/300**

(58) **Field of Classification Search** D12/300,
D12/304, 316, 318; 114/60, 292, 61.1-61.33
See application file for complete search history.

(56) **References Cited**

U.S. PATENT DOCUMENTS

3,193,851	A *	7/1965	Fiebelkorn	114/344
3,659,546	A	5/1972	Miklos		
3,665,885	A *	5/1972	Javes	114/61.2
D292,509	S *	10/1987	Curiel C.	D12/316
D298,310	S *	11/1988	Robbins	D12/306
D310,656	S *	9/1990	Paine, Jr.	D12/300
D315,138	S *	3/1991	Simpkins et al.	D12/304
D318,842	S *	8/1991	Reck	D12/304
5,184,564	A	2/1993	Robbins et al.		
D369,337	S *	4/1996	Stevens	D12/316
D387,324	S	12/1997	Beaulac et al.		
5,746,150	A	5/1998	Beaulac et al.		

OTHER PUBLICATIONS

Shuttlecraft, <http://web.archive.org/web/20050210105215/http://www.shuttlecraft.com/> (Feb. 10, 2005).
Oceanid, <http://web.archive.org/web/20000828022110/www.oceanid.com/images/gallery/USGS+Fish+Count.jpg> (Aug. 28, 2000).

Fibreglass Canada, http://web.archive.org/web/20040612033222/http://www.water-tanks.ca/html/other_products.html (Jun. 12, 2004).

Prior Version of Applicant's Pontoon Boat, including Two Top Perspective Photographs and a Bottom Perspective Drawing (Date: Prior to May 23, 2005).

Quinn, Brian; U.S. Utility Patent Application entitled "Pontoon Boat" filed May 18, 2007, claiming priority of U.S. Appl. No. 60/802,894.

* cited by examiner

Primary Examiner—Holly H. Baynham

Assistant Examiner—Cynthia M Chin

(74) *Attorney, Agent, or Firm*—McCarter & English, LLP

(57) **CLAIM**

The ornamental design for a pontoon boat, as shown and described.

DESCRIPTION

FIG. 1 is a perspective view of a pontoon boat showing an embodiment of my new design, a plurality of straps, a plurality of D-rings, and an arch being shown in phantom and forming no part of my claimed design;

FIG. 2 is a left side elevational view thereof, a right side elevational view being a mirror image thereof;

FIG. 3 is front elevational view thereof;

FIG. 4 is a rear elevational view thereof;

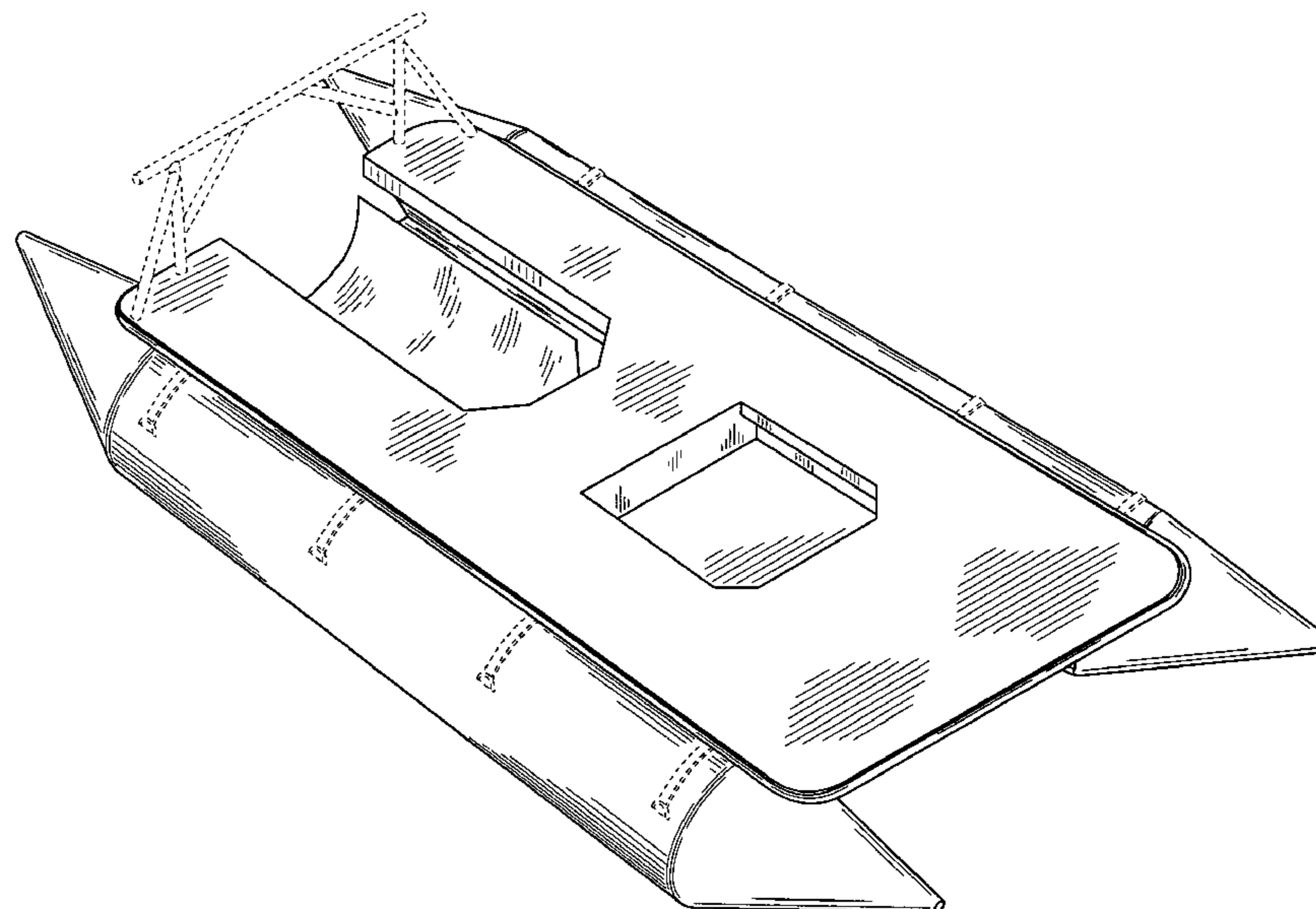
FIG. 5 is a top plan view thereof;

FIG. 6 is a bottom plan view thereof;

FIG. 7 is a perspective view thereof, a personal watercraft being shown in phantom and forming no part of my claimed design; and,

FIG. 8 is a perspective view thereof with drop-in flooring.

1 Claim, 7 Drawing Sheets



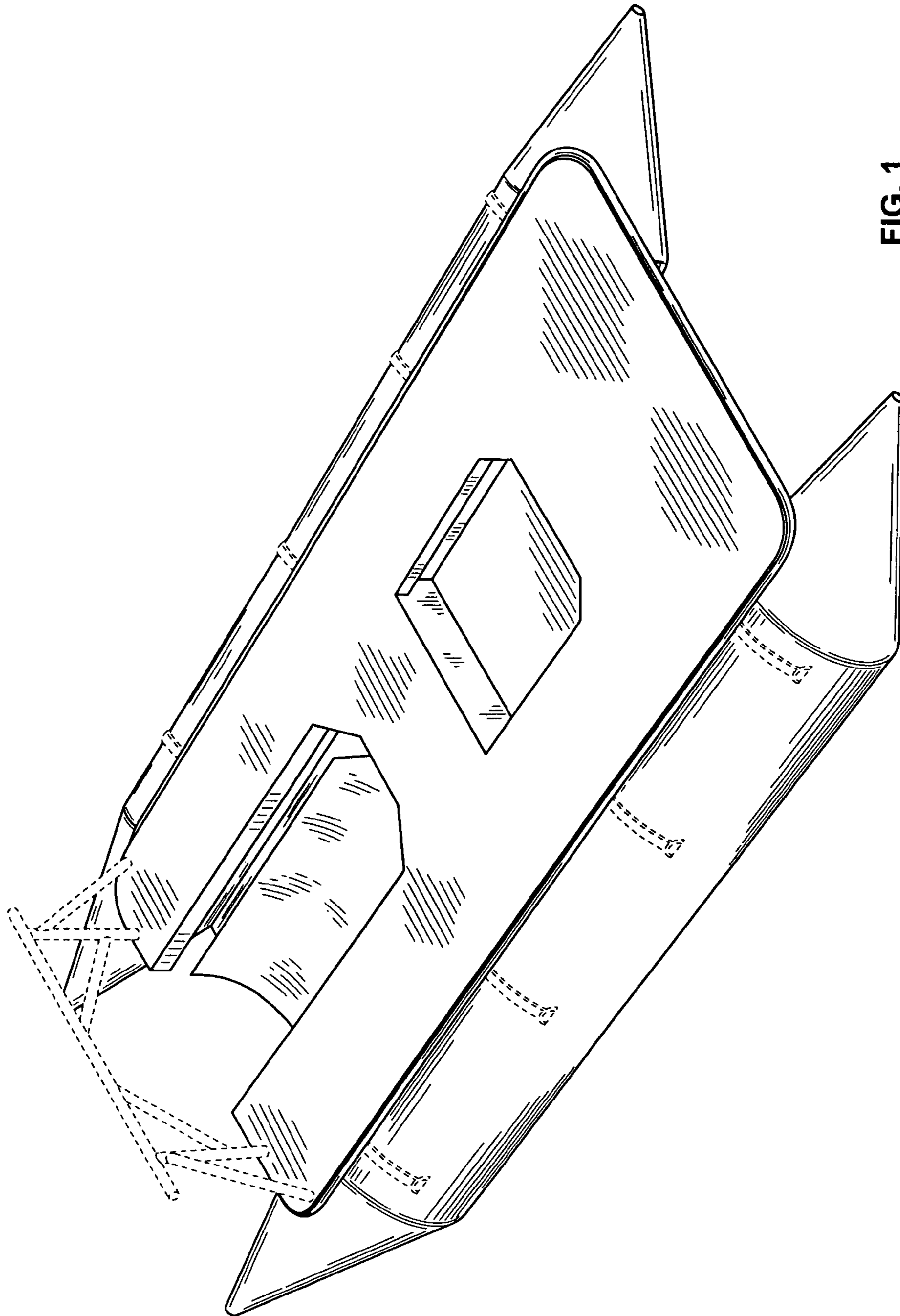


FIG. 1

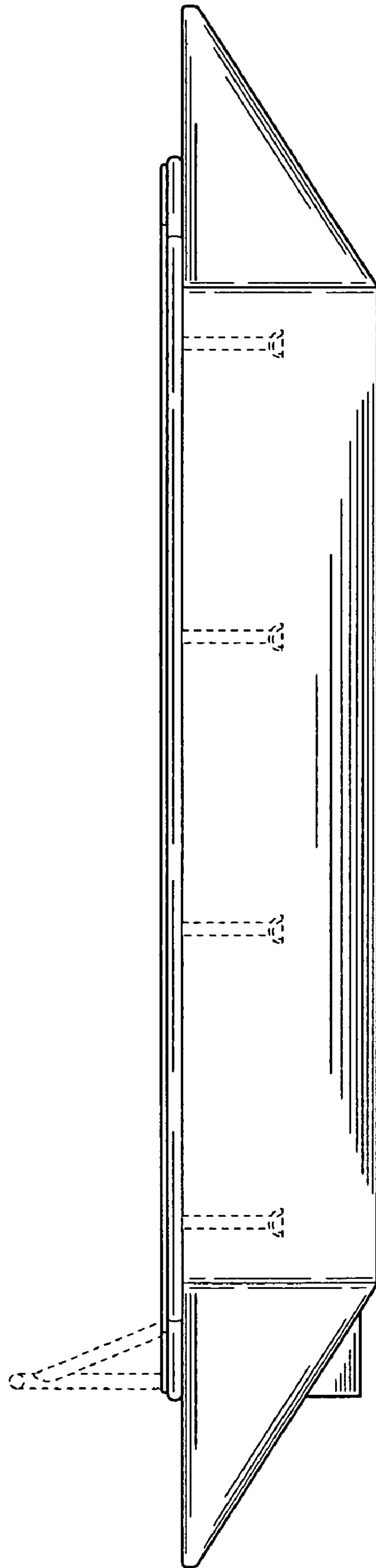


FIG. 2

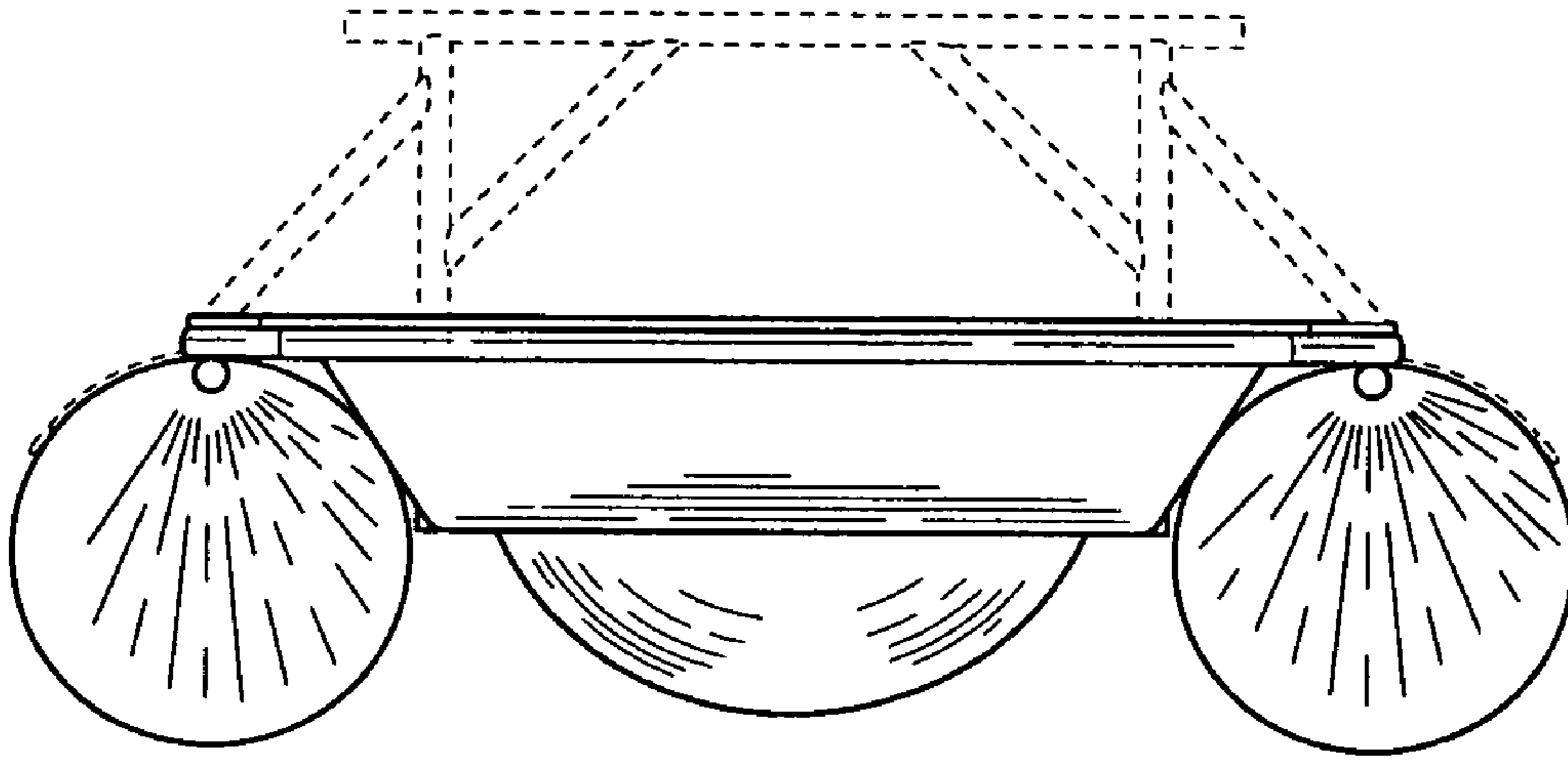


FIG. 3

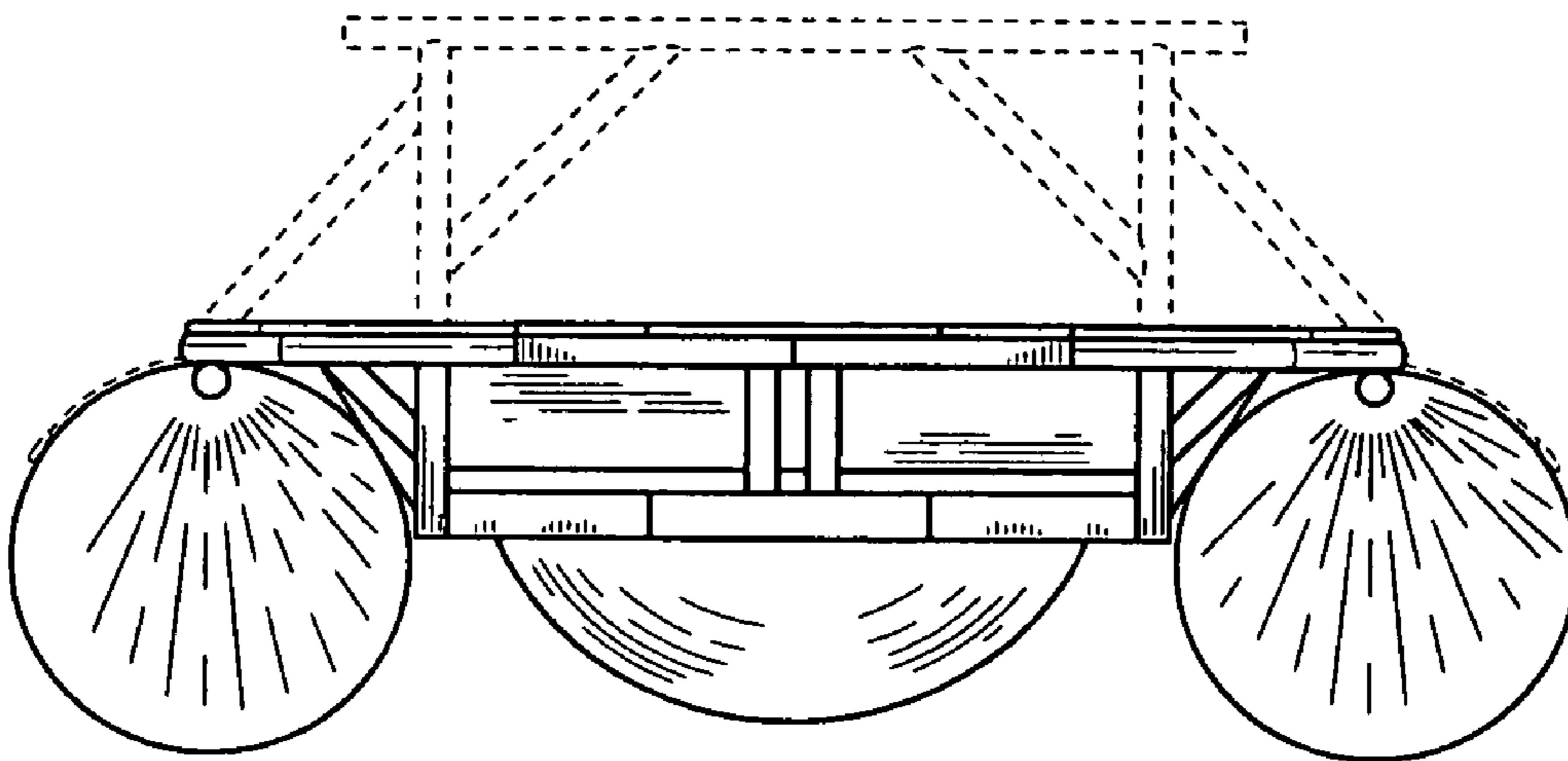


FIG. 4

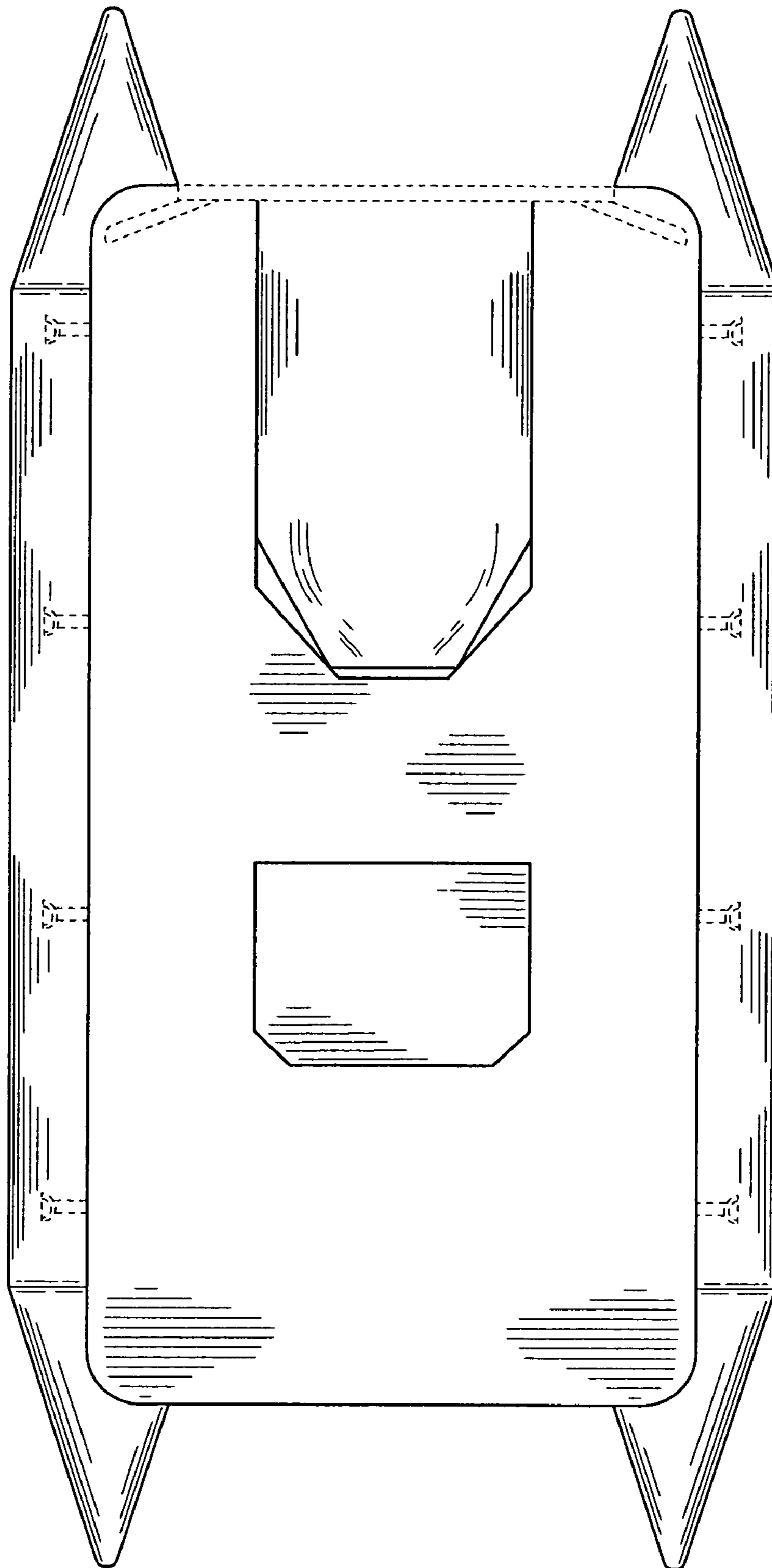


FIG. 5

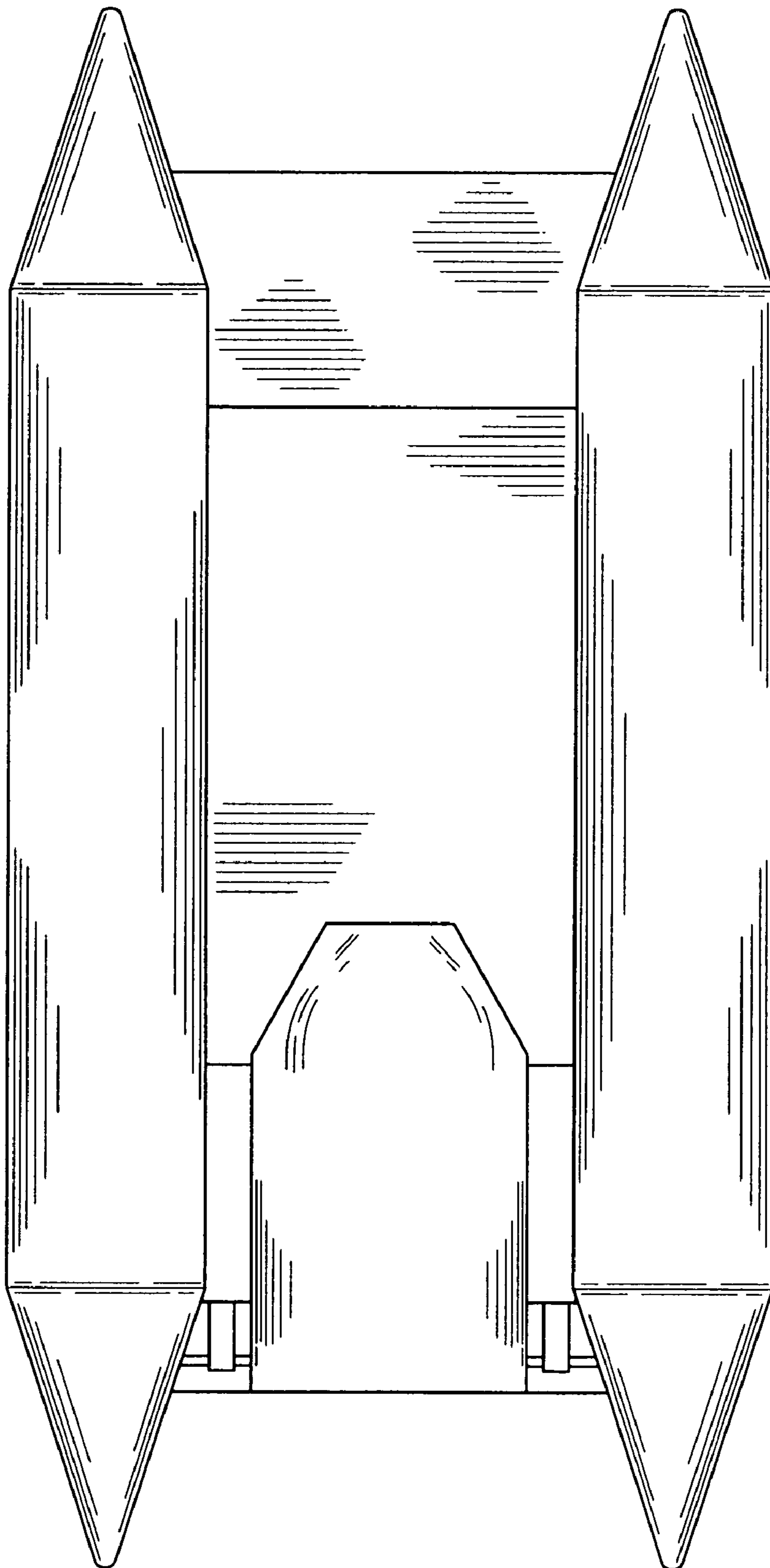


FIG. 6

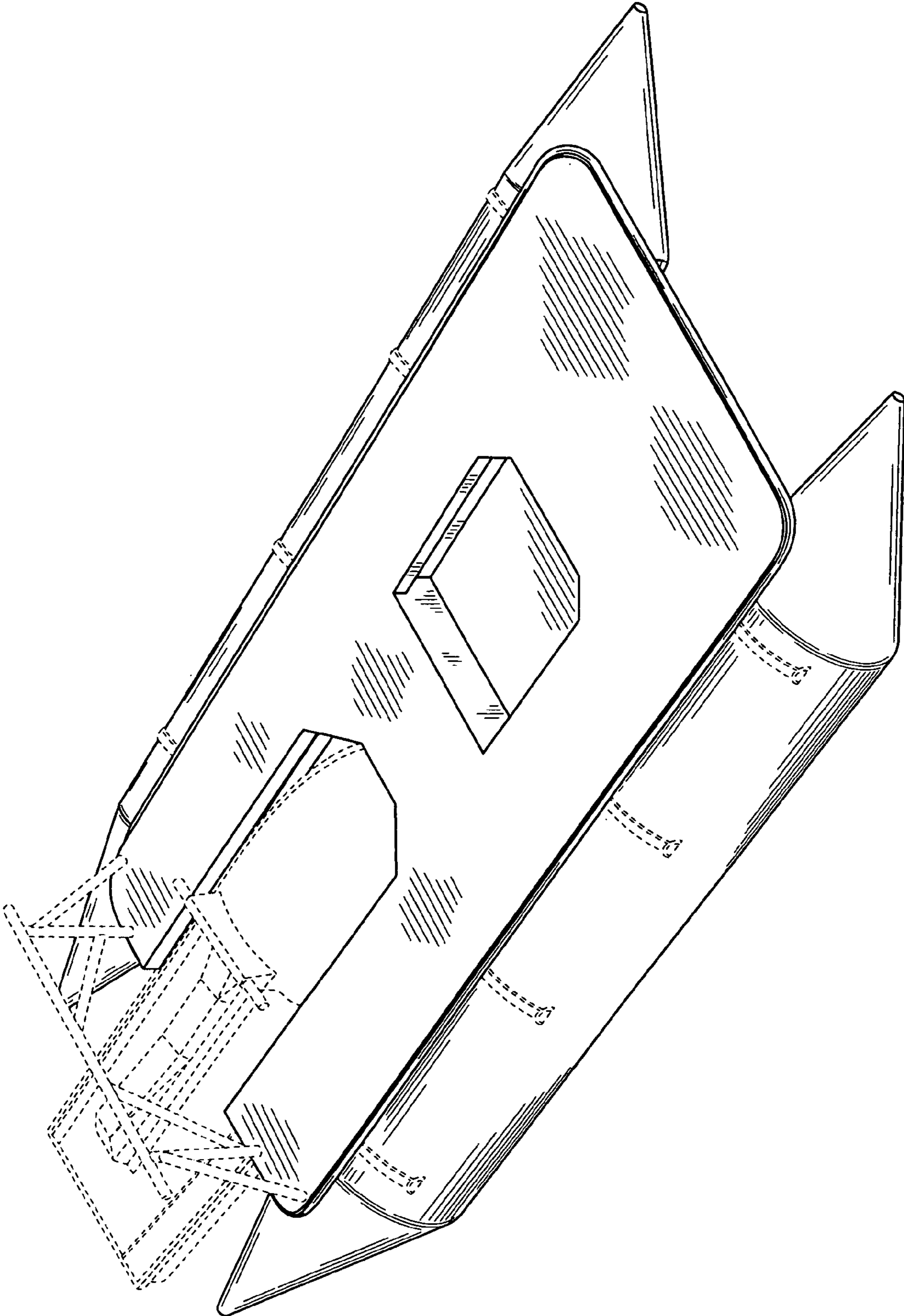


FIG. 7

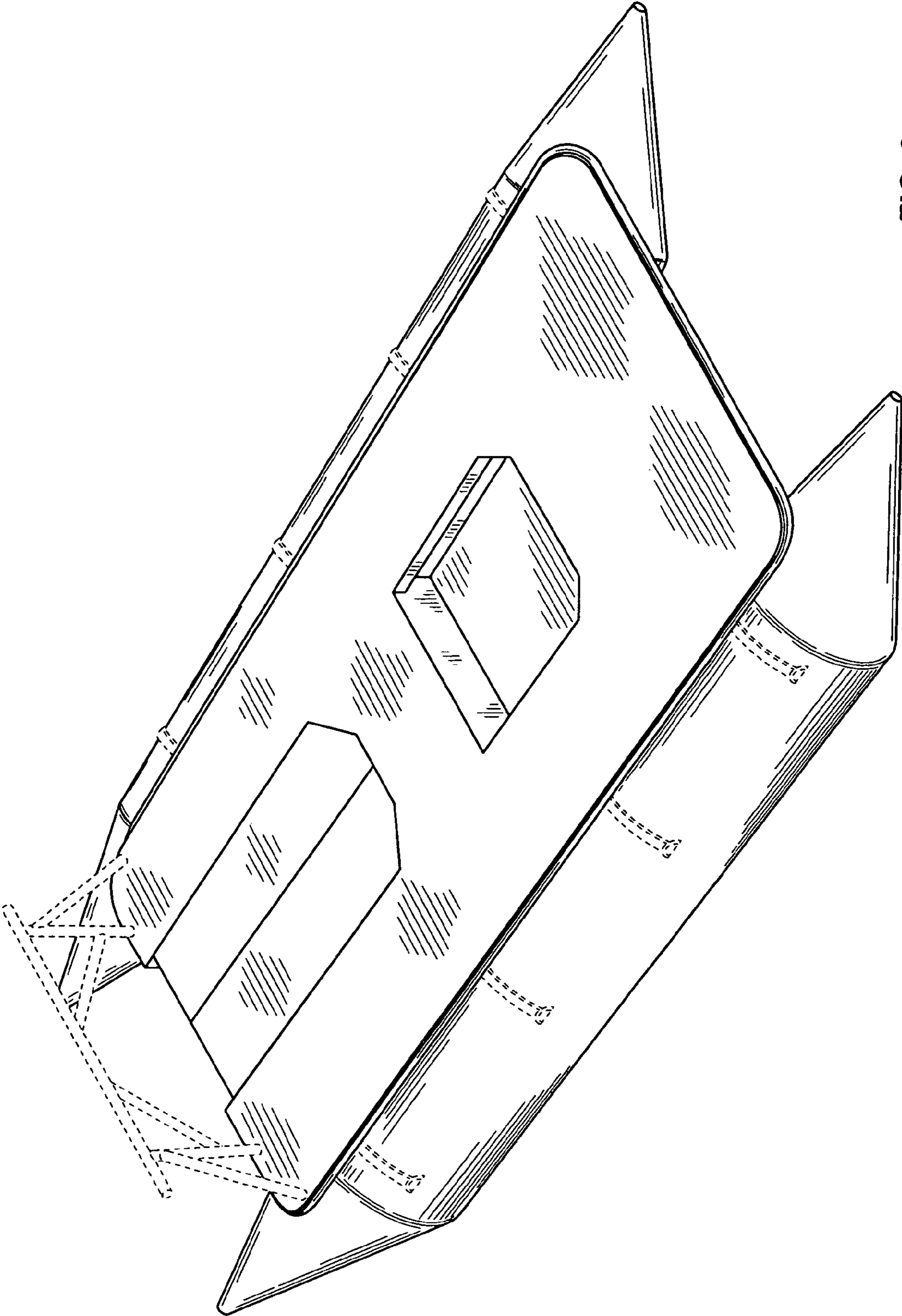


FIG. 8