

US00D556659S

(12) **United States Design Patent** (10) **Patent No.:** **US D556,659 S**
Saracoglu et al. (45) **Date of Patent:** **** Dec. 4, 2007**

(54) **EXTERNAL EXHAUST ARRANGEMENT FOR A VEHICLE**

D473,177 S * 4/2003 Murkett D12/194

(75) Inventors: **Hakan Saracoglu**, Stuttgart (DE);
Anthony-Robert Hatter, Weissach (DE)

OTHER PUBLICATIONS
http://www.worldcarfans.com/spyphotos.cfm/spyphotoid/6070315.002/country/gcf/spy-photos-more-porsche-gt2.*

* cited by examiner

(73) Assignee: **Dr. Ing. h.c.F. Porsche Aktiengesellschaft**, Stuttgart (DE)

Primary Examiner—Doris Clark
Assistant Examiner—Michael A. Pratt
(74) *Attorney, Agent, or Firm*—Crowell & Moring LLP

(**) Term: **14 Years**

(57) **CLAIM**

(21) Appl. No.: **29/258,844**

The ornamental design for an external exhaust arrangement for a vehicle, as shown and described.

(22) Filed: **Apr. 28, 2006**

(30) **Foreign Application Priority Data**

DESCRIPTION

Oct. 31, 2005 (EM) 000424692-0001

This application is related to the following co-pending application, filed on even date herewith:

(51) **LOC (8) Cl.** **12-16**

Application Ser. No. 29/258,852, entitled "Surface Configuration of a Vehicle, Toy, and/or Other Replicas".

(52) **U.S. Cl.** **D12/194**

(58) **Field of Classification Search** D12/194;
293/113; 181/227, 228, 247-249, 264, 282,
181/239-241; D15/5; 138/37-39, 44, 103,
138/109

FIG. 1 is an elevated front perspective view of a first embodiment of an external exhaust arrangement for a vehicle according to our new design;

See application file for complete search history.

FIG. 2 is a front view thereof; and

FIG. 3 is a side view thereof;

(56) **References Cited**

FIG. 4 is an elevated front perspective view of a second embodiment of the external exhaust arrangement for a vehicle according to our new design;

U.S. PATENT DOCUMENTS

FIG. 5 is a front view thereof; and,

D159,862 S * 8/1950 Russell D12/194

FIG. 6 is a side view thereof.

D159,863 S * 8/1950 Russell D12/194

D176,874 S * 2/1956 Mattke D23/375

D183,145 S * 7/1958 Russell D12/194

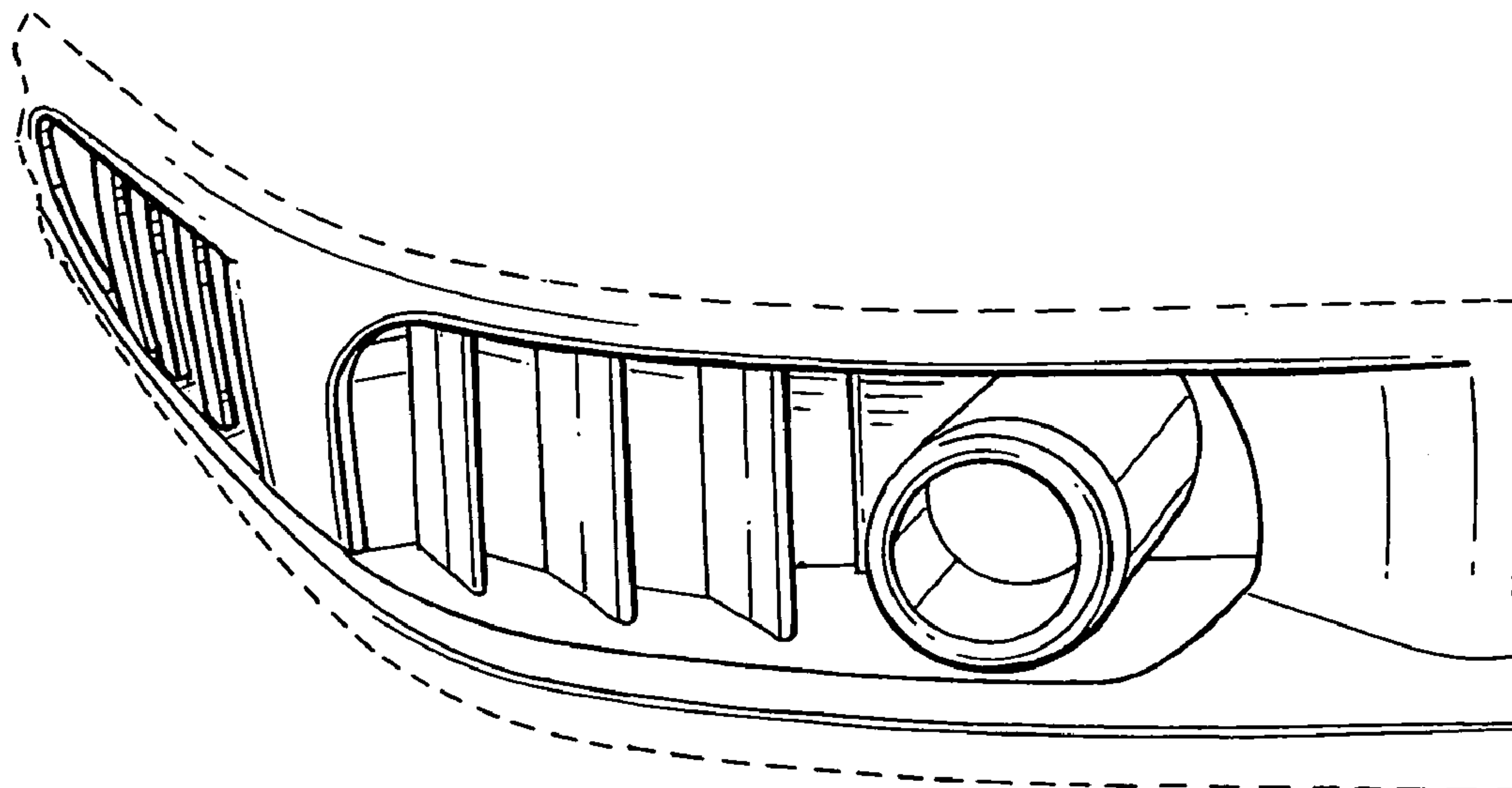
2,869,229 A * 1/1959 Russell 239/132.3

D254,904 S * 5/1980 Swearingen D12/345

D423,436 S * 4/2000 Larson D12/194

The broken lines are for illustrative purposes only and form no part of the claimed design. Also enclosed is a set of photographs of an embodiment of the invention.

1 Claim, 4 Drawing Sheets



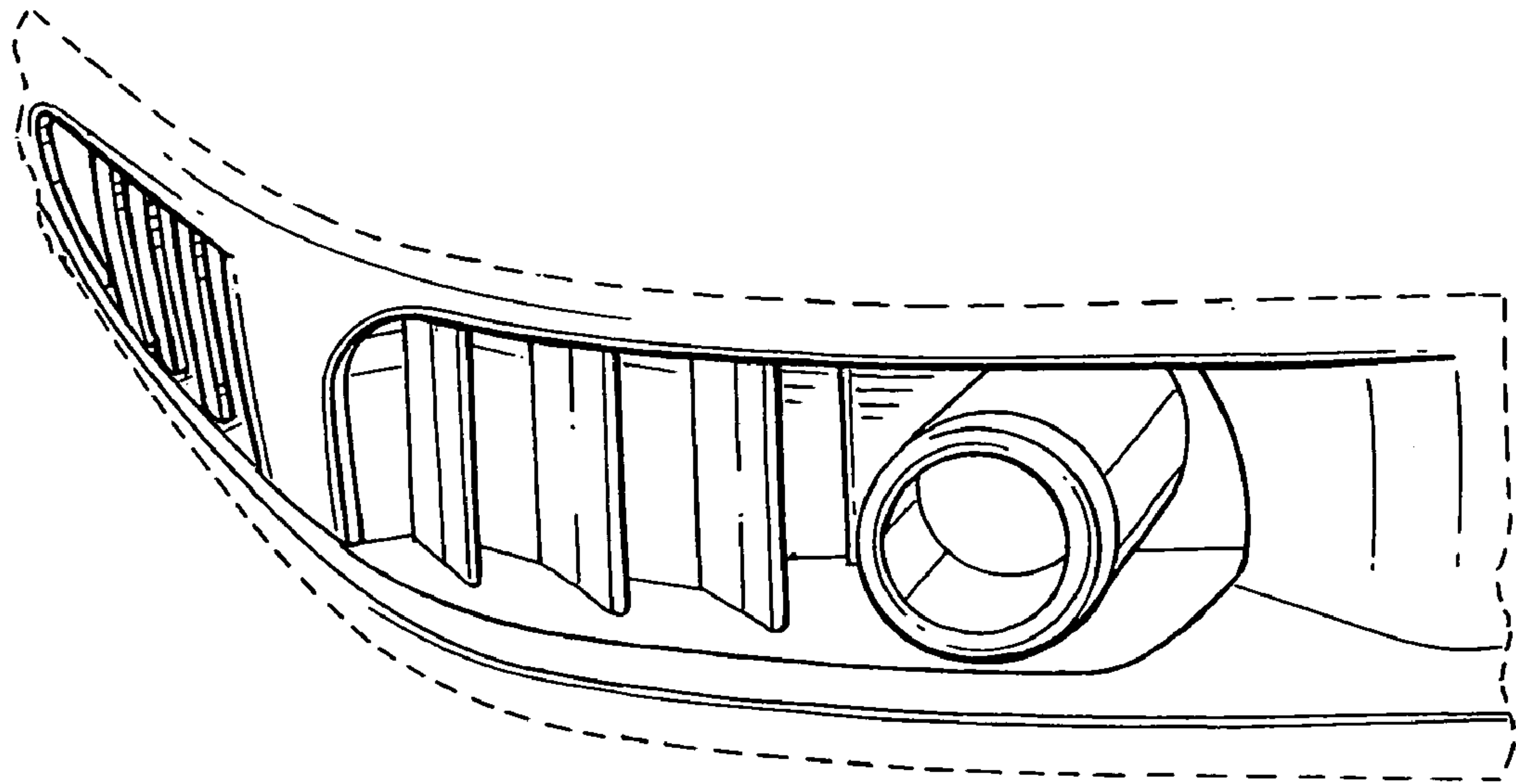


FIG. 1

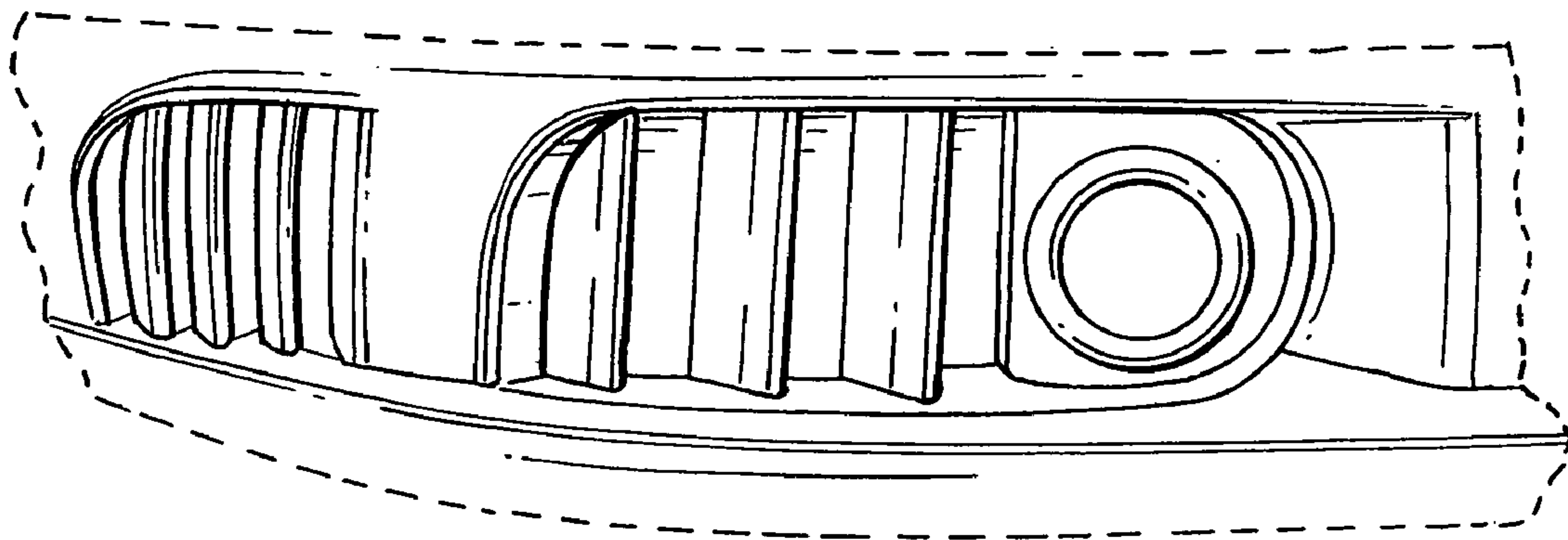


FIG. 2

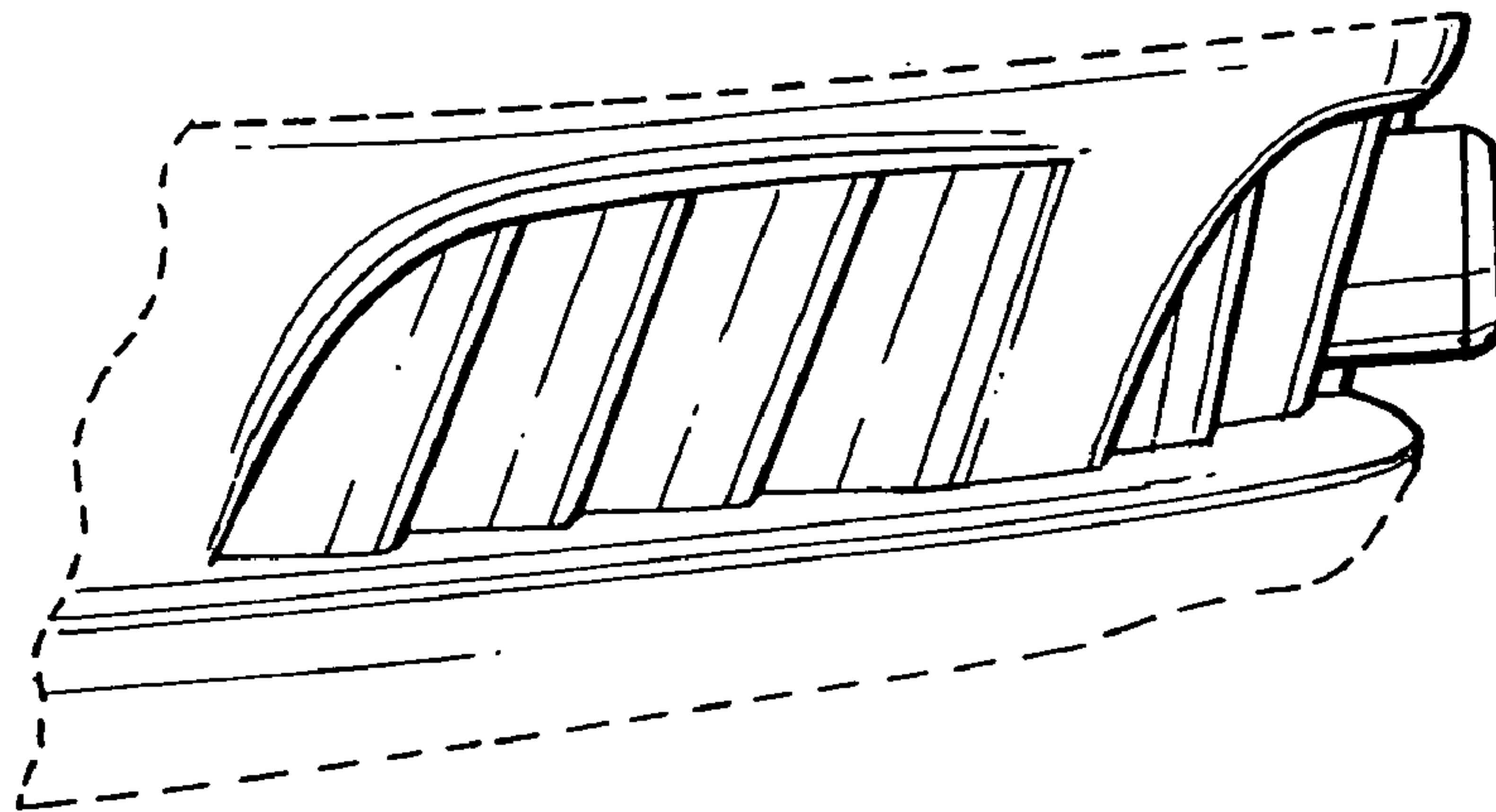


FIG. 3

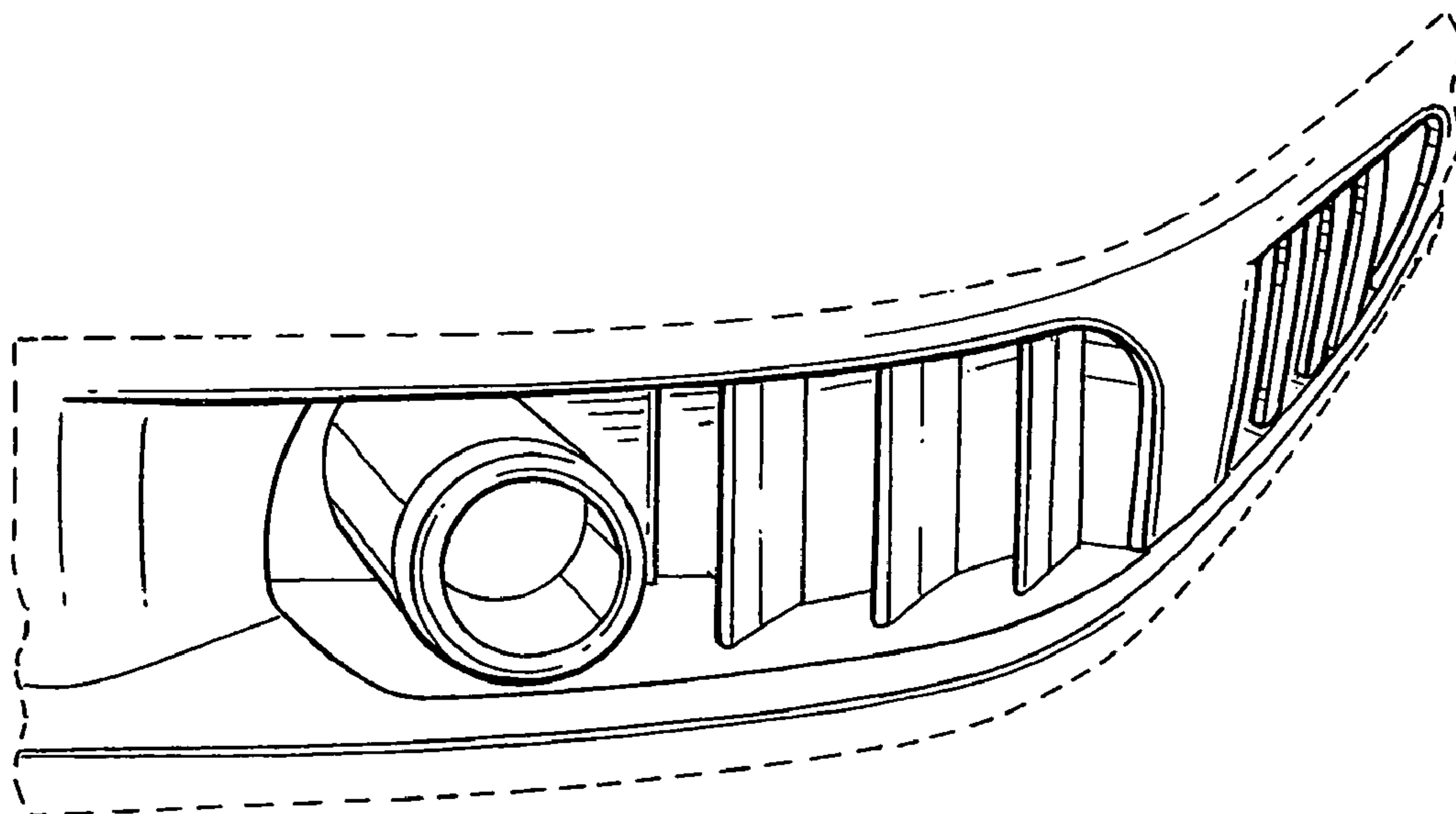


FIG. 4

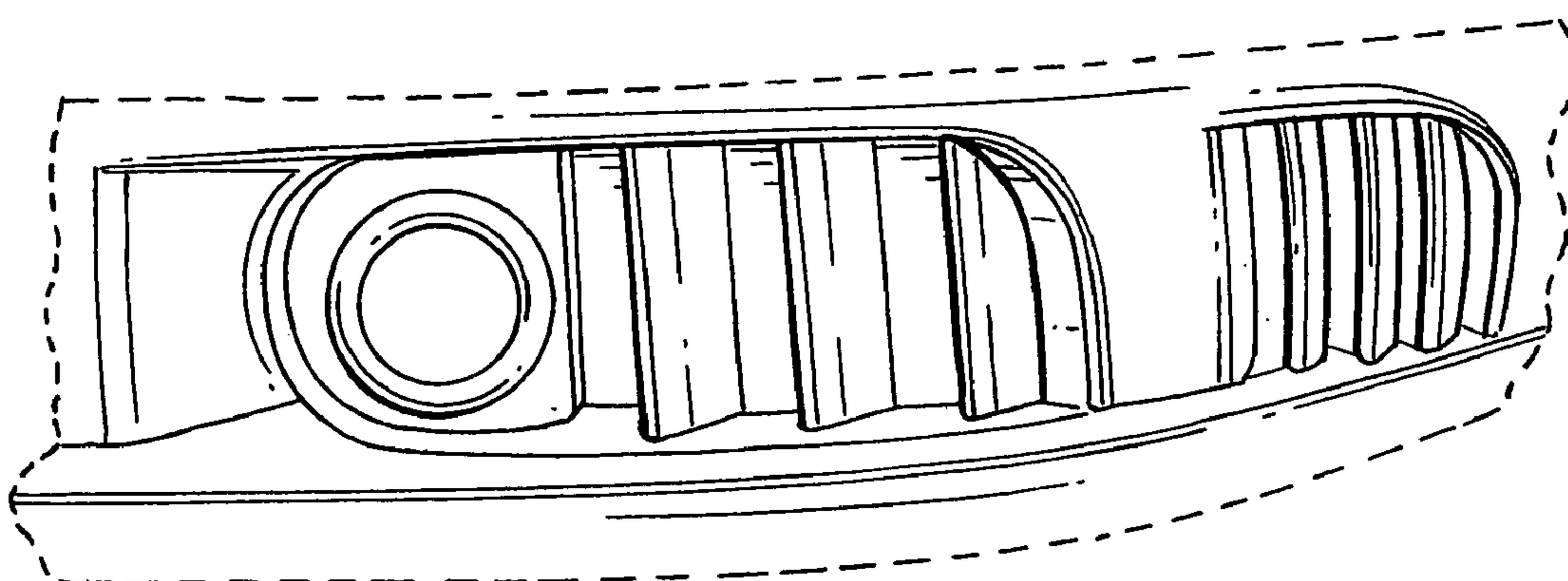


FIG. 5

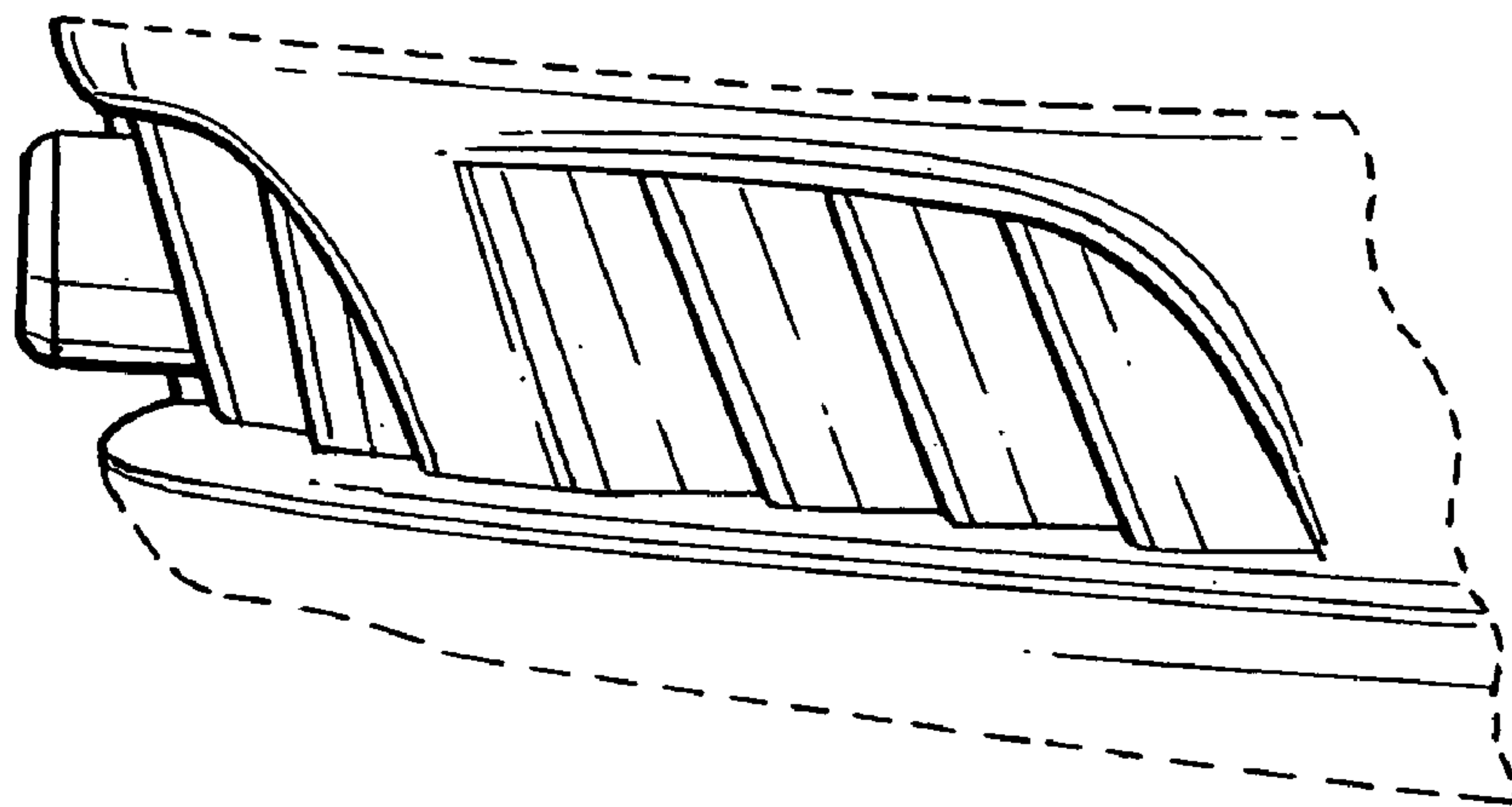


FIG. 6