



US00D556657S

(12) **United States Design Patent**
Elwell et al.

(10) **Patent No.:** **US D556,657 S**

(45) **Date of Patent:** **** Dec. 4, 2007**

(54) **VEHICLE FRONT WINDOW VENT VISOR**

(75) Inventors: **James P. Elwell**, Johnston, IA (US);
Hoon Joung, Incheon (KR)

(73) Assignee: **Putco, Inc.**, Story City, IA (US)

(**) Term: **14 Years**

(21) Appl. No.: **29/249,118**

(22) Filed: **Sep. 21, 2006**

(51) **LOC (8) Cl.** **12-16**

(52) **U.S. Cl.** **D12/191**

(58) **Field of Classification Search** D12/181–183,
D12/190, 191, 196, 223, 400; 454/131–135;
49/374, 440; 160/370.21, 371, 105, 354,
160/DIG. 3, DIG. 4; 296/152, 154, 97.1–97.12,
296/95.1, 217, 180.1, 37.16
See application file for complete search history.

(56) **References Cited**

U.S. PATENT DOCUMENTS

2,034,342	A *	3/1936	Hay	296/152
D148,831	S *	2/1948	Wagner	D12/190
D231,216	S *	4/1974	Klones	D12/181
3,866,524	A *	2/1975	Forbes, Jr.	454/131
4,934,754	A *	6/1990	Cioffi	296/217
D310,652	S *	9/1990	Nagata	D12/191
D326,636	S *	6/1992	Barth	D12/181
5,251,953	A *	10/1993	Willey	296/152
D375,068	S *	10/1996	Lund	D12/183
D379,957	S *	6/1997	Strefling	D12/183
5,676,415	A *	10/1997	Ament et al.	296/37.16
5,797,645	A *	8/1998	Schenk et al.	296/152

D404,698	S *	1/1999	Schenk et al.	D12/183
6,019,414	A *	2/2000	Pourciau, Sr.	296/95.1
7,114,761	B2 *	10/2006	Kodama et al.	296/152
7,172,240	B1 *	2/2007	Kaufman	296/152

* cited by examiner

Primary Examiner—Stacia Cadmus

(74) *Attorney, Agent, or Firm*—McKee, Voorhees & Sease, P.L.C.

(57) **CLAIM**

We claim the ornamental design for a vehicle front window vent visor, as shown and described.

DESCRIPTION

FIG. 1 is a perspective view of the vehicle front window vent visor as viewed from the exterior of the design.

FIG. 2 is a perspective view of the design shown in FIG. 1 as viewed from the interior of the design.

FIG. 3 is a front elevational view thereof.

FIG. 4 is a rear elevational view thereof.

FIG. 5 is a top plan view thereof.

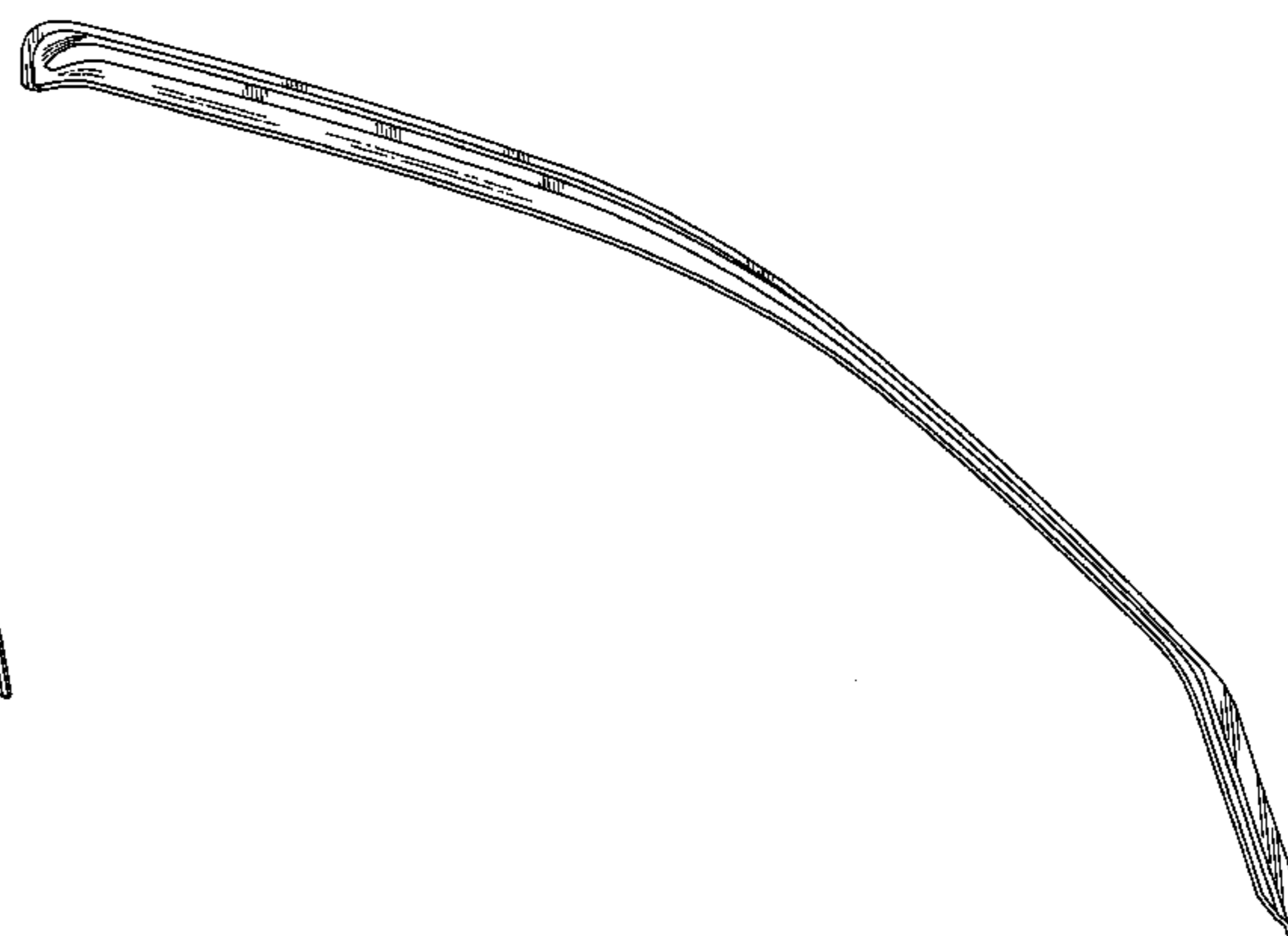
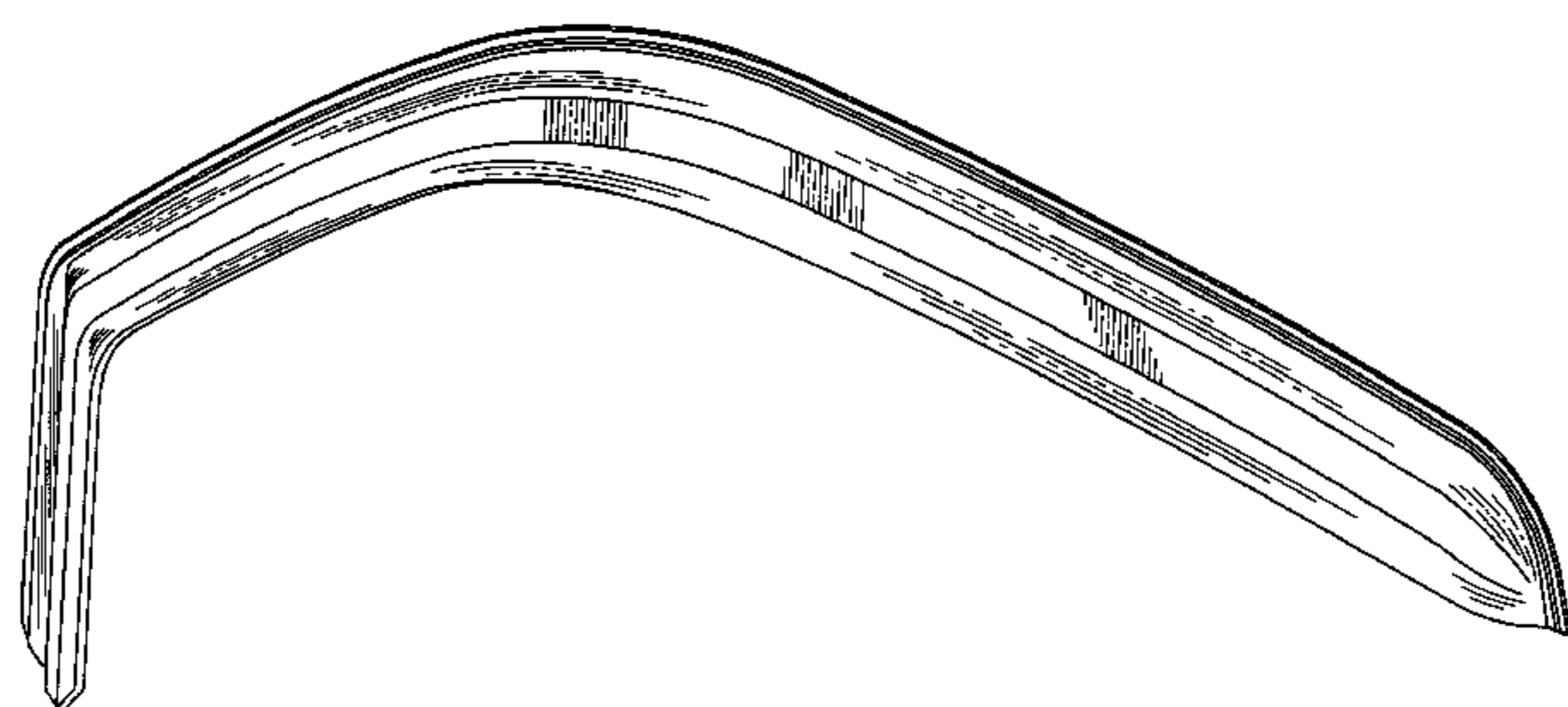
FIG. 6 is a bottom plan view thereof.

FIG. 7 is an end elevational view as taken from the right of FIG. 3.

FIG. 8 is an end elevational view as taken from the left of FIG. 3; and,

FIG. 9 is an enlarged sectional view taken through line 9—9 of FIG. 4.

1 Claim, 7 Drawing Sheets



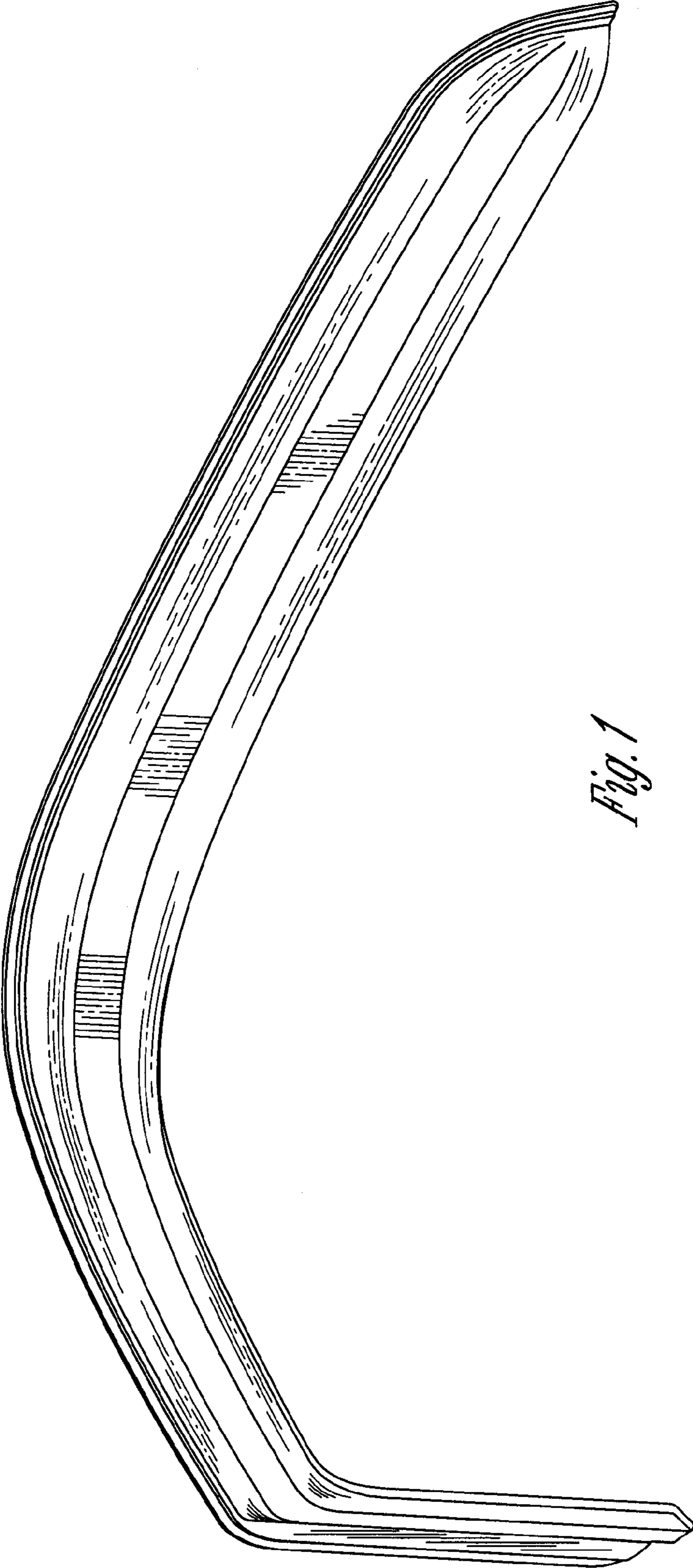


Fig. 1

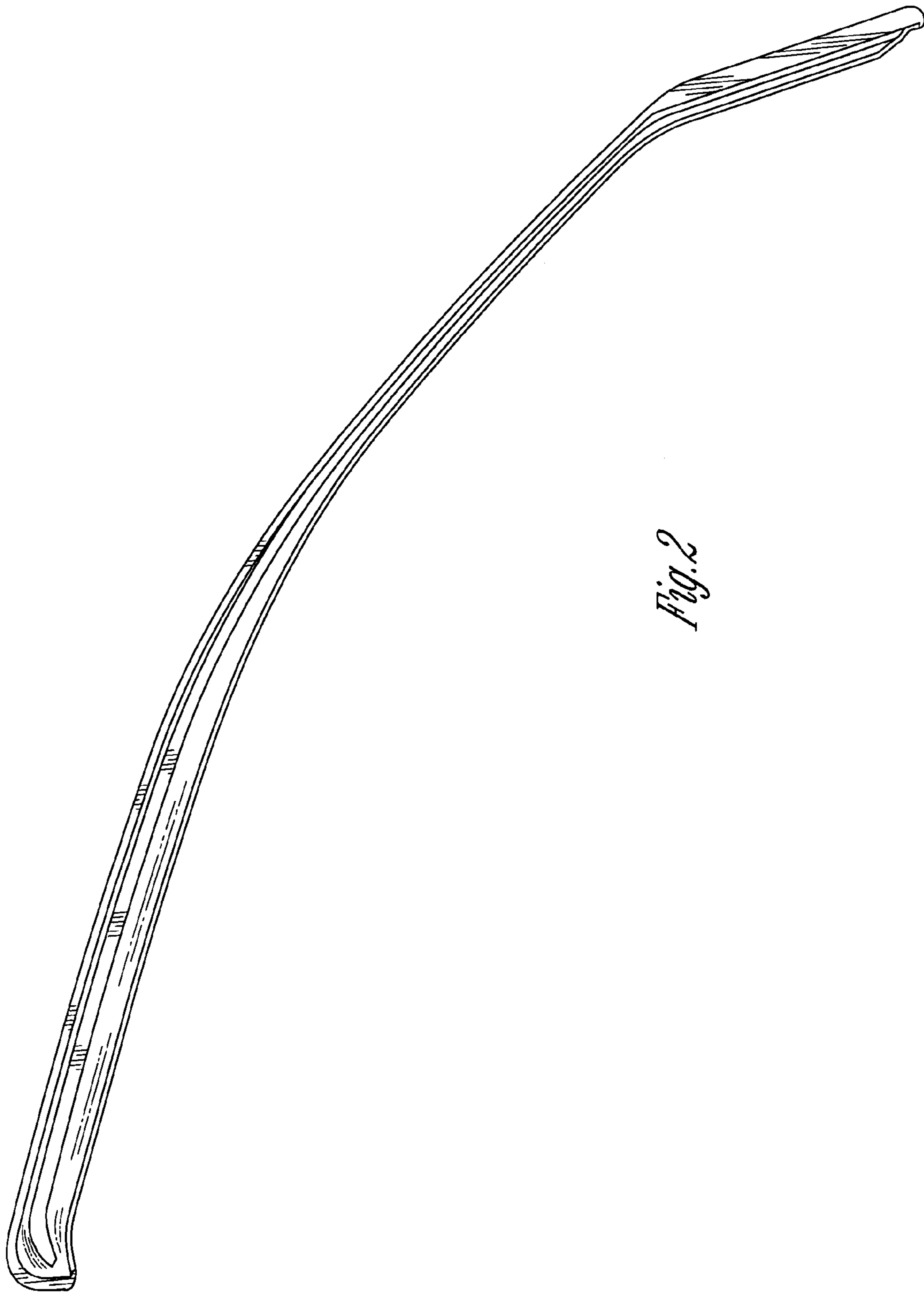


Fig. 2

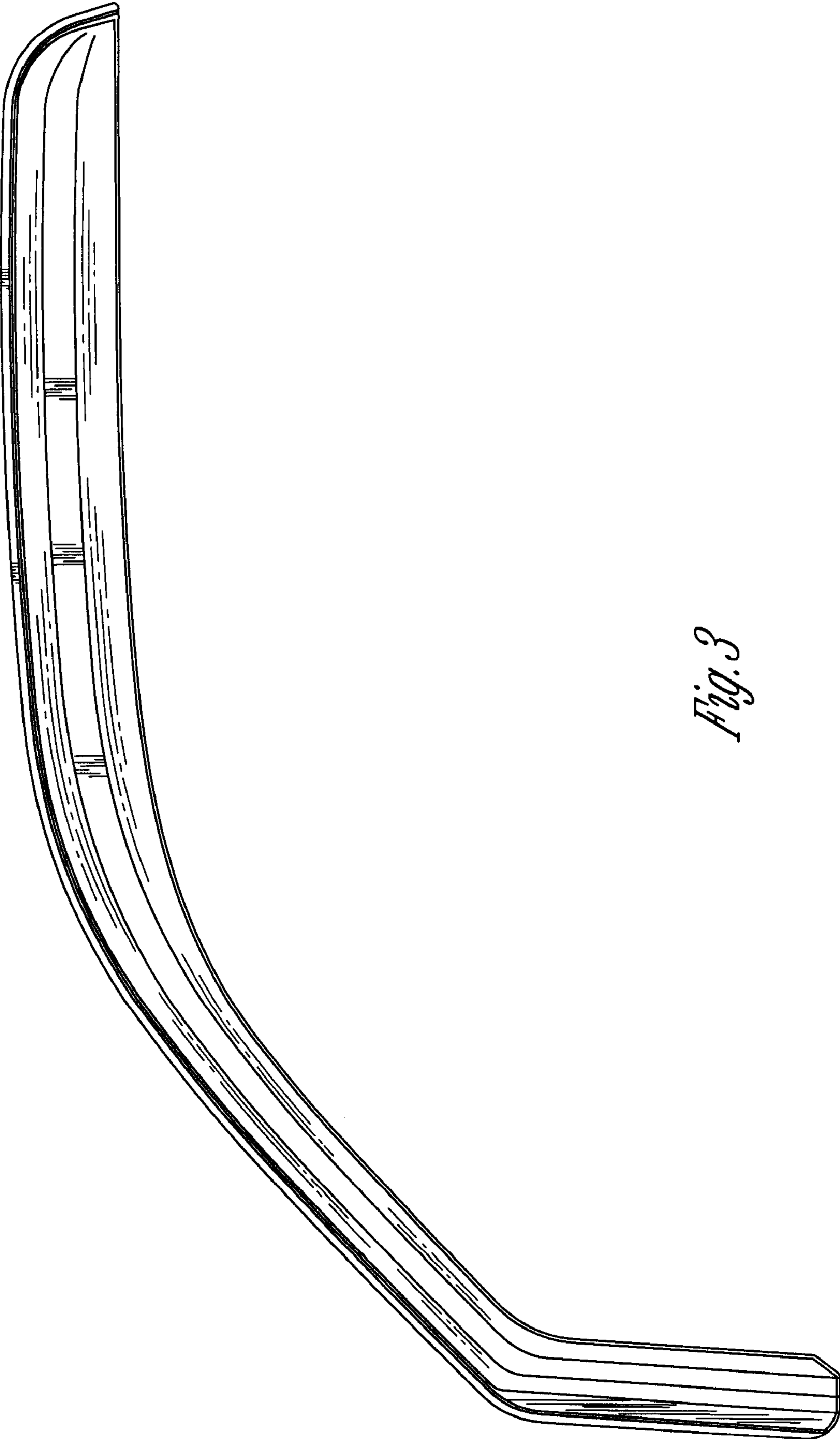


Fig. 3

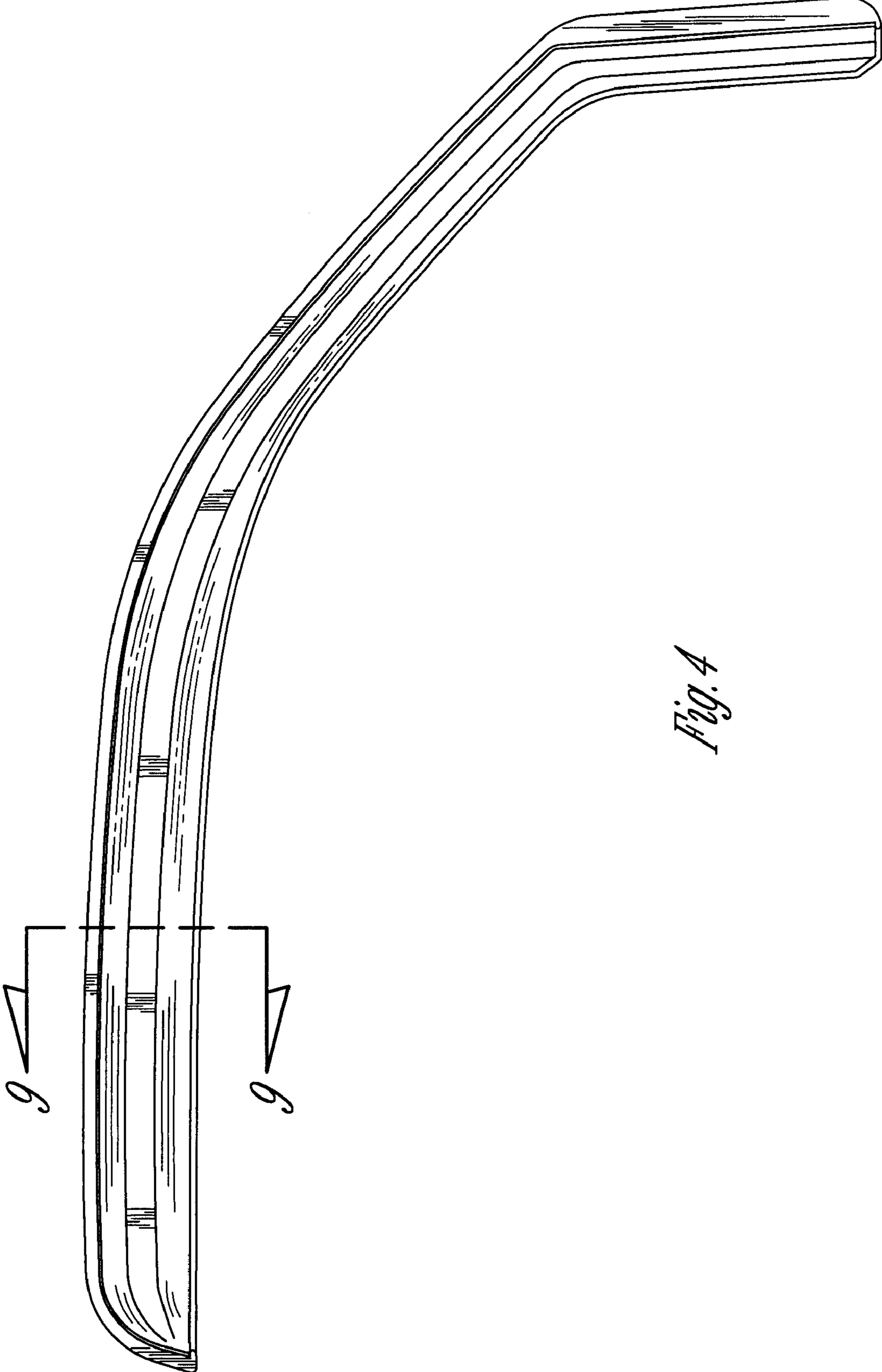


Fig. 4

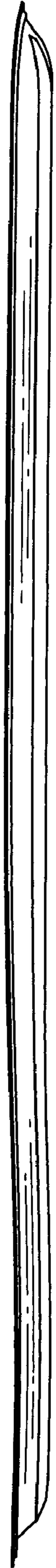


Fig. 5



Fig. 6

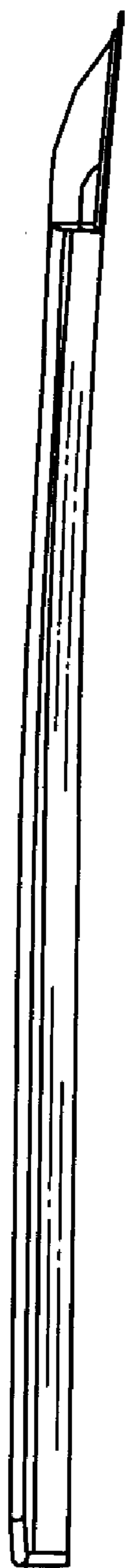


Fig. 7



Fig. 8

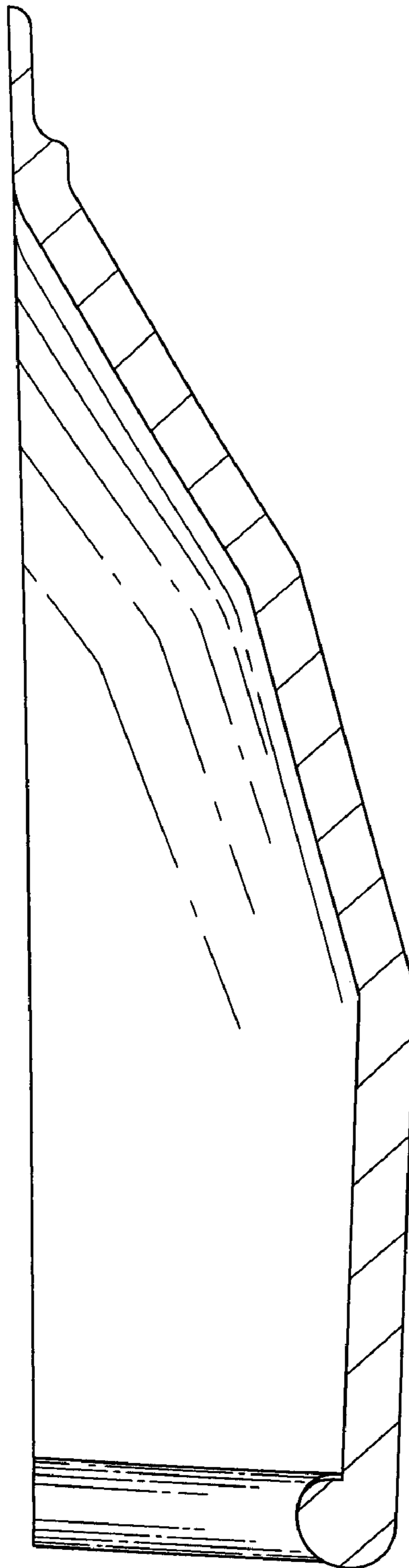


Fig. 9

UNITED STATES PATENT AND TRADEMARK OFFICE
CERTIFICATE OF CORRECTION

PATENT NO. : Des. 556,657 S
APPLICATION NO. : 29/249118
DATED : December 4, 2007
INVENTOR(S) : Elwell et al.

Page 1 of 1

It is certified that error appears in the above-identified patent and that said Letters Patent is hereby corrected as shown below:

Title Page, Item (75):
DELETE after Hoon "Joung"
ADD after Hoon --Jeoung--

Signed and Sealed this

Twenty Second Day of April, 2008

A handwritten signature in black ink that reads "Jon W. Dudas". The signature is written in a cursive style with a large, looped initial "J".

JON W. DUDAS
Director of the United States Patent and Trademark Office