



US00D556654S

(12) **United States Design Patent**
Lee et al.

(10) **Patent No.:** **US D556,654 S**
(45) **Date of Patent:** **** Dec. 4, 2007**

(54) **COMBINED HOOD TOP AND FENDER UNIT OF A TRUCK**

(75) Inventors: **Kwan W. Lee**, Troy, MI (US); **Kris K. Timmerman**, Huntertown, IN (US); **Ronald F. Mitchell**, Taylor, MI (US); **Craig L. Randolph**, Fort Wayne, IN (US); **James M. Oleson**, Crestview, FL (US)

(73) Assignee: **International Truck Intellectual Property Company, LLC**, Warrenville, IL (US)

(**) Term: **14 Years**

(21) Appl. No.: **29/256,262**

(22) Filed: **Mar. 17, 2006**

(51) **LOC (8) Cl.** **12-16**

(52) **U.S. Cl.** **D12/173**

(58) **Field of Classification Search** D12/173,
D12/96, 97; 180/69.2, 89.12, 89.13, 89.67,
180/89.7; 296/184.1

See application file for complete search history.

(56) **References Cited**

U.S. PATENT DOCUMENTS

D401,198 S 11/1998 Mueller et al.

D403,637 S 1/1999 Abalos et al.
D426,800 S 6/2000 Zimmerman
D437,574 S 2/2001 Beigel
D445,384 S 7/2001 Tirey et al.
D466,450 S 12/2002 Maher et al.
D523,793 S 6/2006 Beigel et al.
D540,725 S * 4/2007 Gunter et al. D12/173
D545,251 S * 6/2007 Angelo et al. D12/173
D545,735 S * 7/2007 Angelo et al. D12/173

* cited by examiner

Primary Examiner—Melody N. Brown

(74) *Attorney, Agent, or Firm*—Jeffrey P. Calfa; Gerald W. Askew

(57) **CLAIM**

The ornamental design for a combined hood top and fender unit of a truck, as shown and described.

DESCRIPTION

FIG. 1 is a left, rear perspective view of a combined hood top and fender unit of a truck showing our new design;

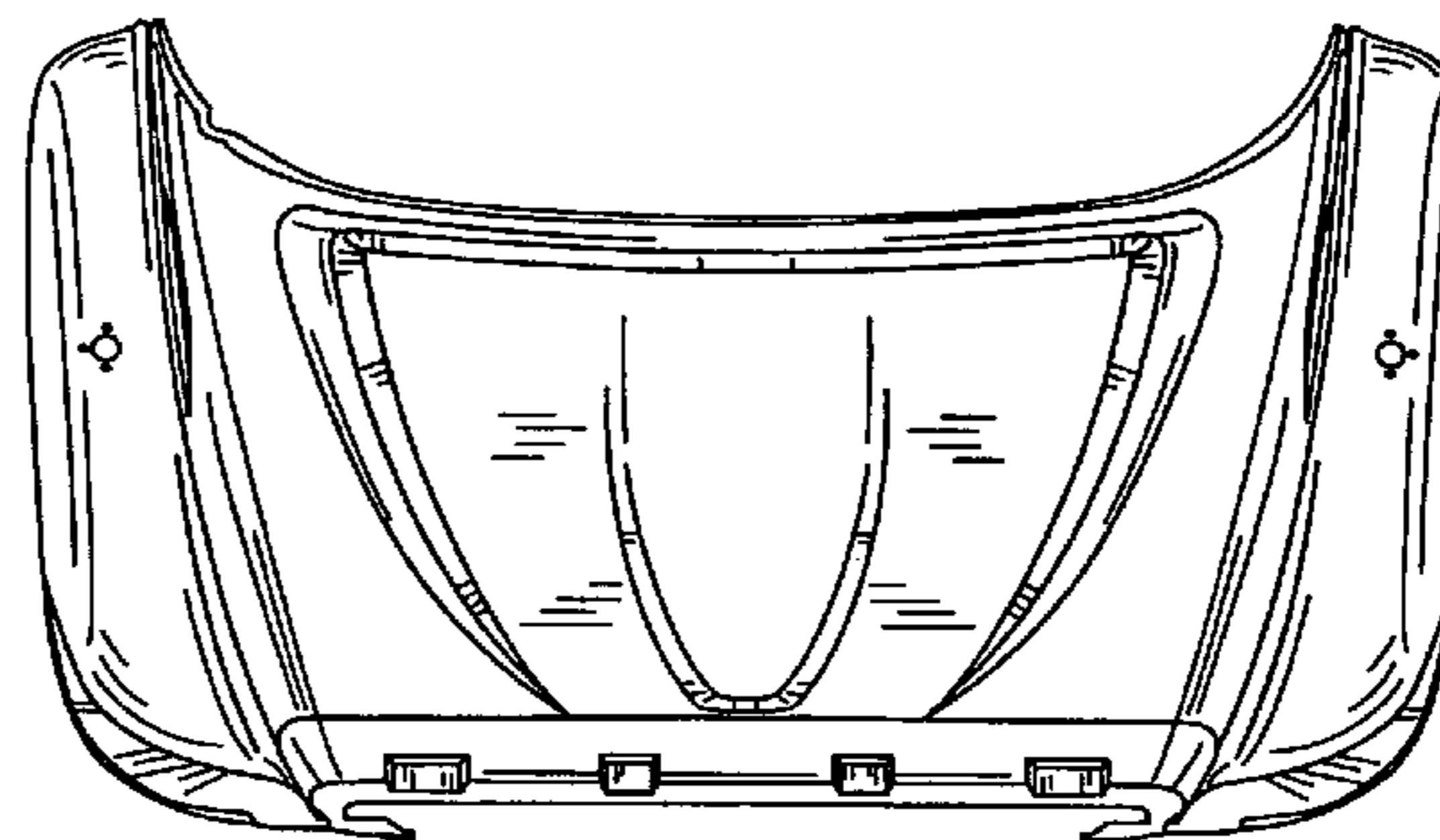
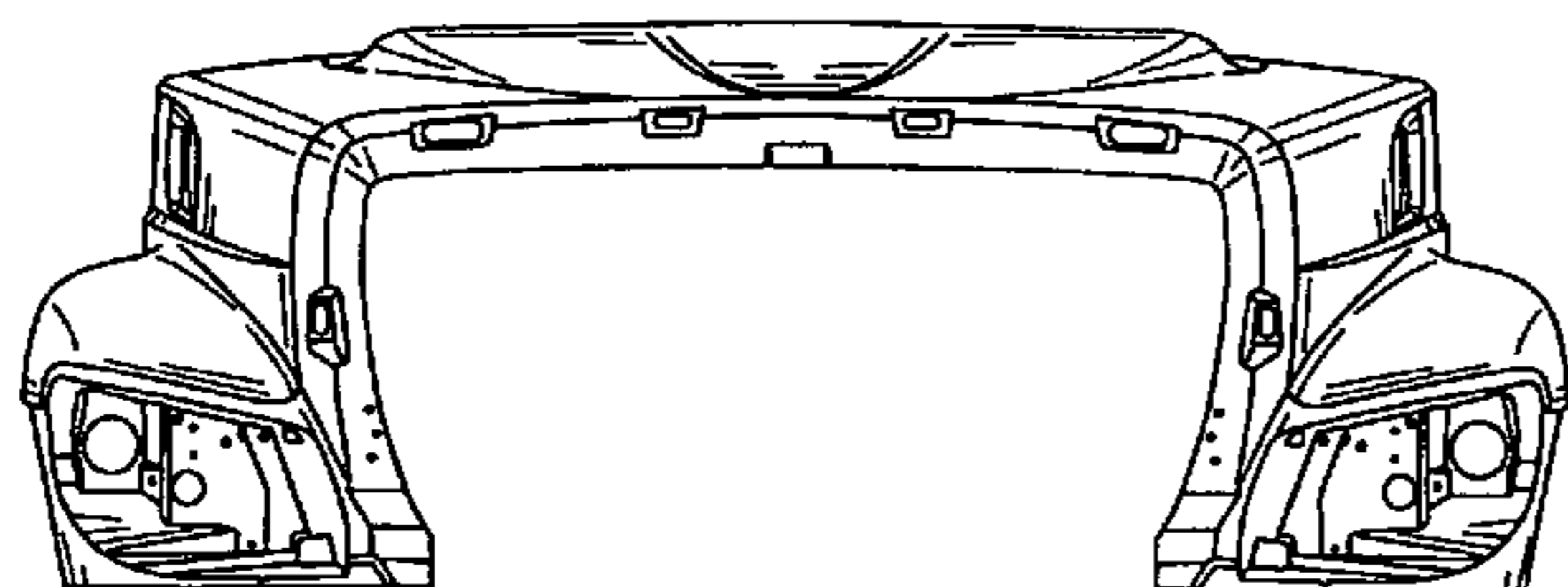
FIG. 2 is a front elevation view thereof;

FIG. 3 is a top down plan view thereof;

FIG. 4 is a left side elevation view thereof; and,

FIG. 5 is a right side elevation view thereof.

1 Claim, 2 Drawing Sheets



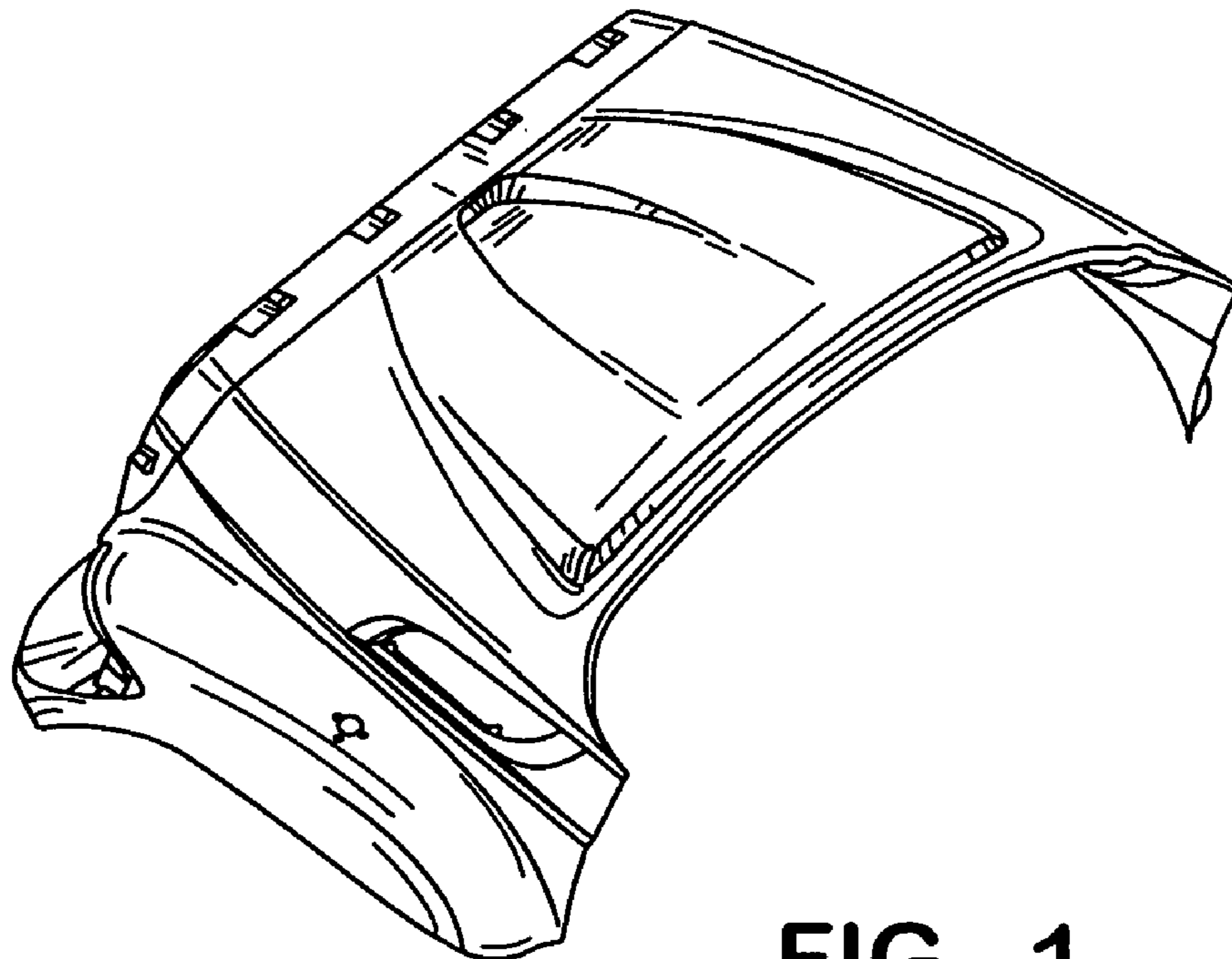


FIG. 1

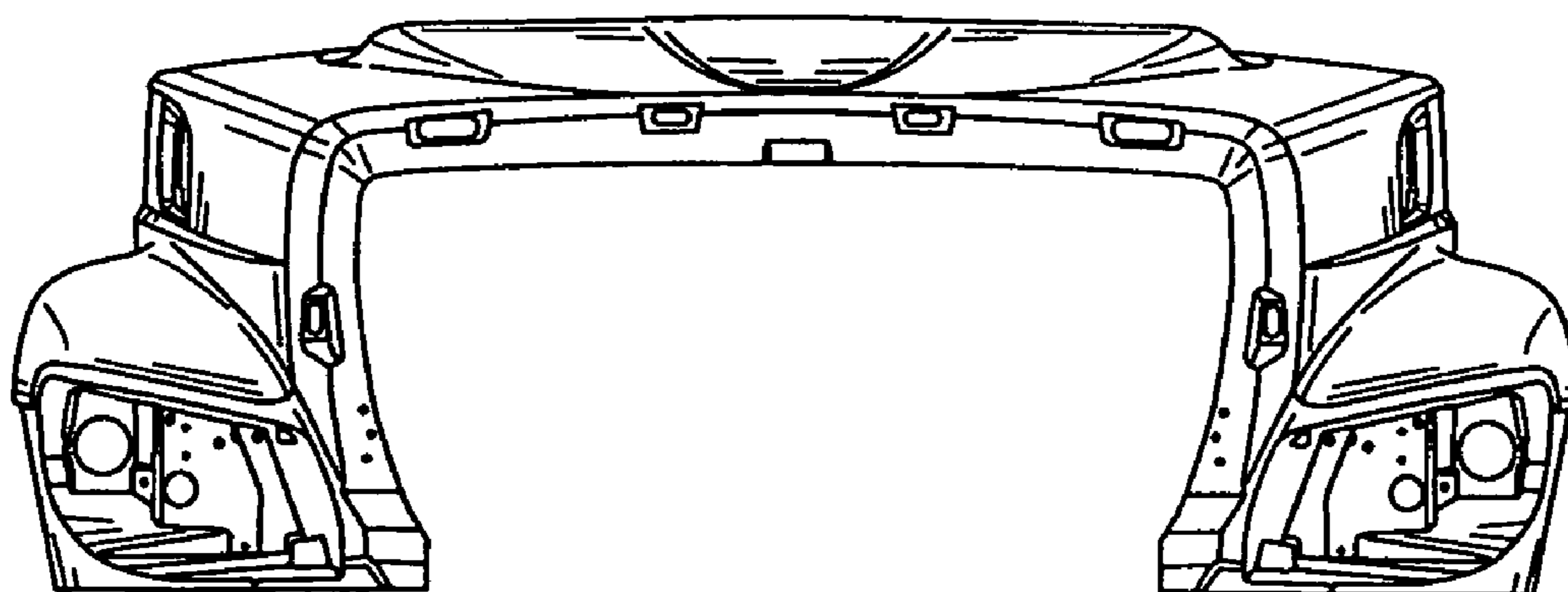


FIG. 2

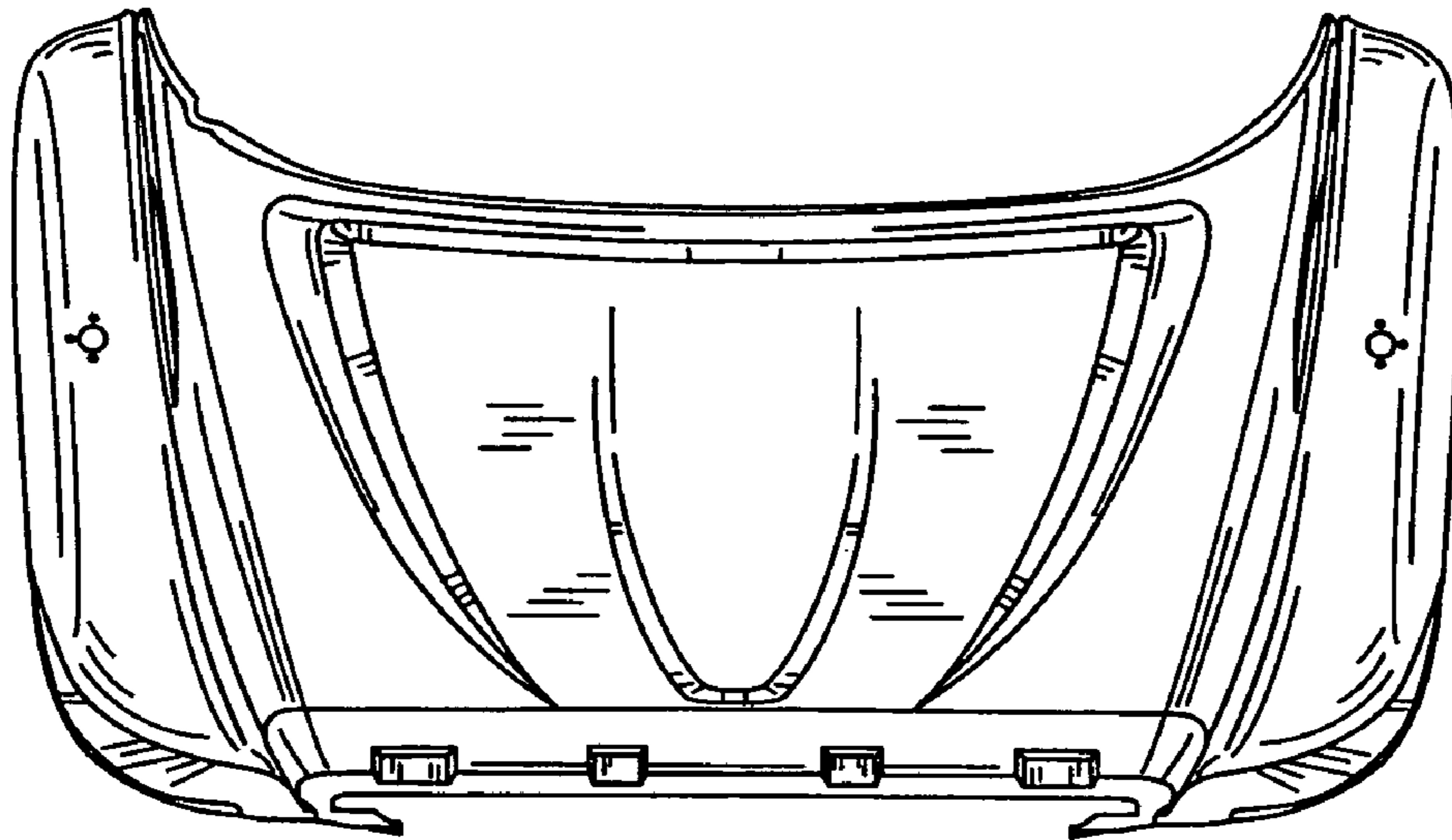


FIG. 3

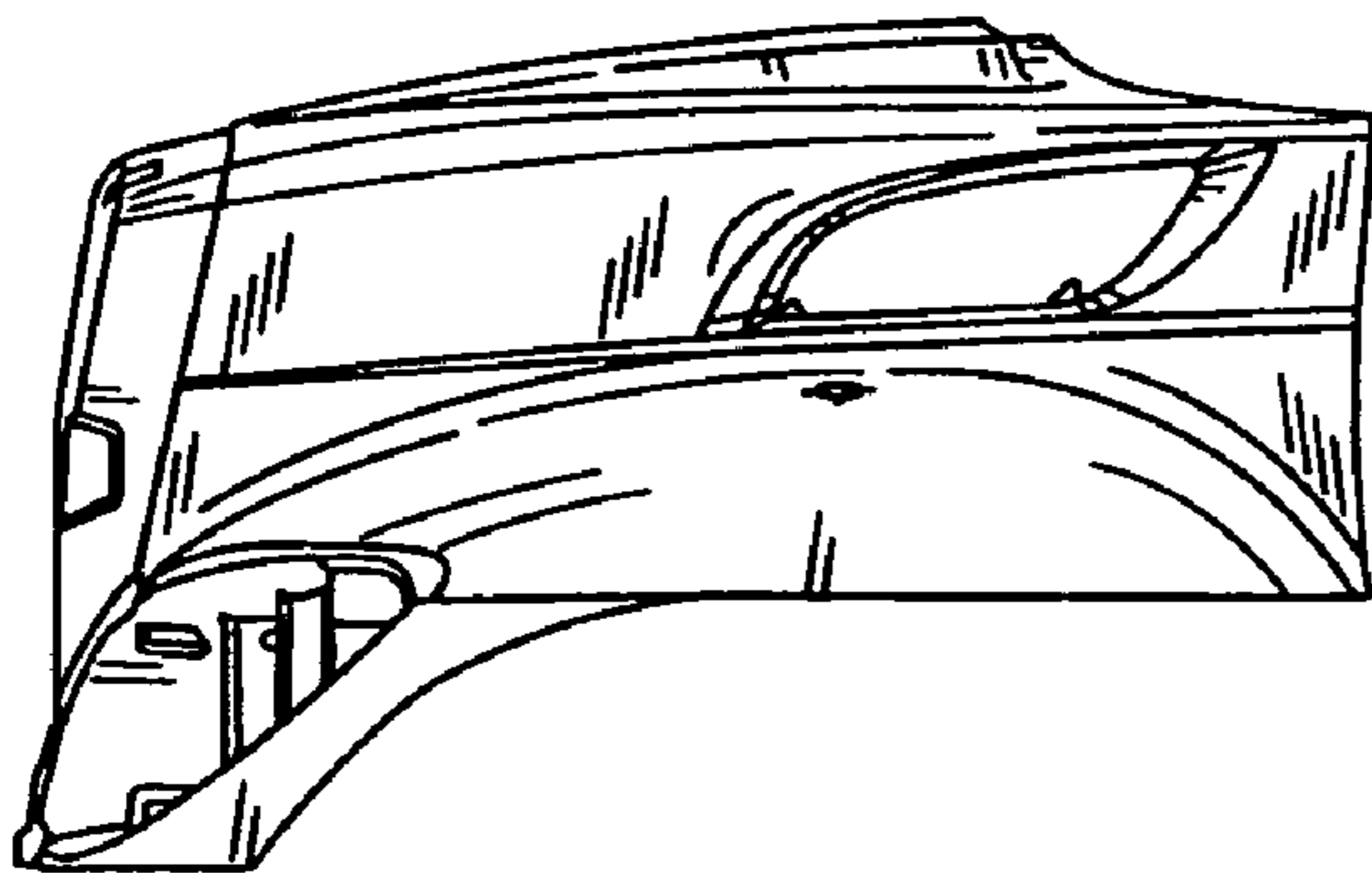


FIG. 4

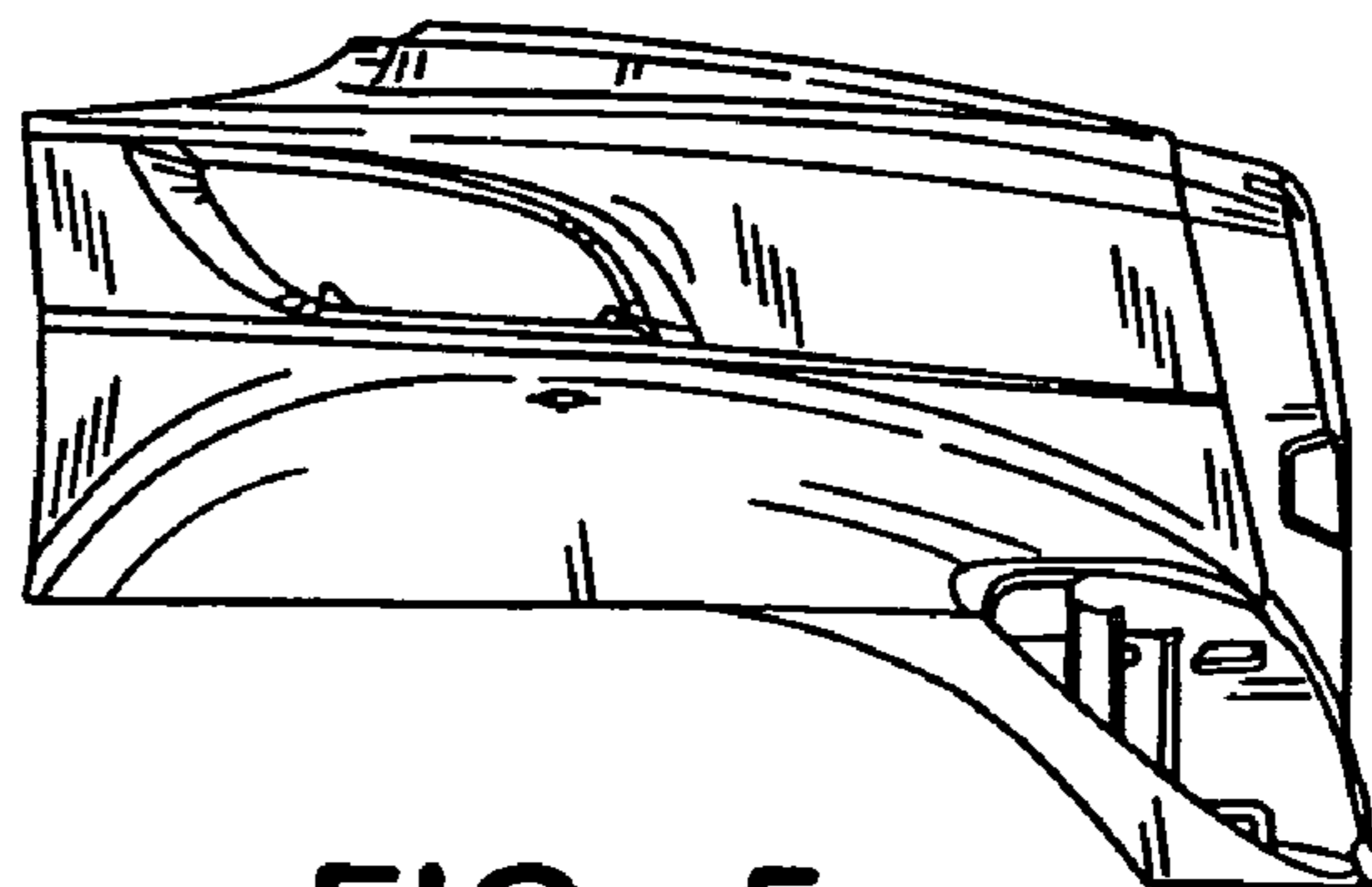


FIG. 5