



US00D556646S

(12) **United States Design Patent**  
**Long**

(10) **Patent No.:** **US D556,646 S**

(45) **Date of Patent:** **\*\* Dec. 4, 2007**

(54) **MOTORCYCLE FRAME COVER**

(57) **CLAIM**

(76) **Inventor:** **Danny R. Long**, 4115 Oakton Ridge Ct., Matthews, NC (US) 28105

The ornamental for a motorcycle frame cover, as shown and described.

(\*\*) **Term:** **14 Years**

(21) **Appl. No.:** **29/261,861**

(22) **Filed:** **Jun. 20, 2006**

(51) **LOC (8) Cl.** ..... **12-11**

(52) **U.S. Cl.** ..... **D12/126**

(58) **Field of Classification Search** ..... D12/110,  
D12/126, 181, 186; 180/219, 225; 296/193.01,  
296/78.1, 192, 193.05; 280/304.3, 304.4,  
280/152.1, 152.2, 152.3, 160.1, 852  
See application file for complete search history.

(56) **References Cited**

**U.S. PATENT DOCUMENTS**

D242,340 S \* 11/1976 Vetter ..... D12/182  
D518,760 S \* 4/2006 Johnson ..... D12/126

\* cited by examiner

*Primary Examiner*—Ian Simmons

*Assistant Examiner*—Linda Brooks

(74) *Attorney, Agent, or Firm*—Everman Law Firm, PA;  
Gregory R. Everman

**DESCRIPTION**

FIG. 1 is a perspective view of the invented motorcycle frame cover, showing my new design as attached to a motorcycle and covering the otherwise exposed portion of the motorcycle's frame, the motorcycle being shown in broken lines;

FIG. 2 is an enlarged perspective view of the invented motorcycle frame cover;

FIG. 3 is an enlarged right side view thereof;

FIG. 4 is an enlarged left view thereof;

FIG. 5 is an enlarged top view thereof;

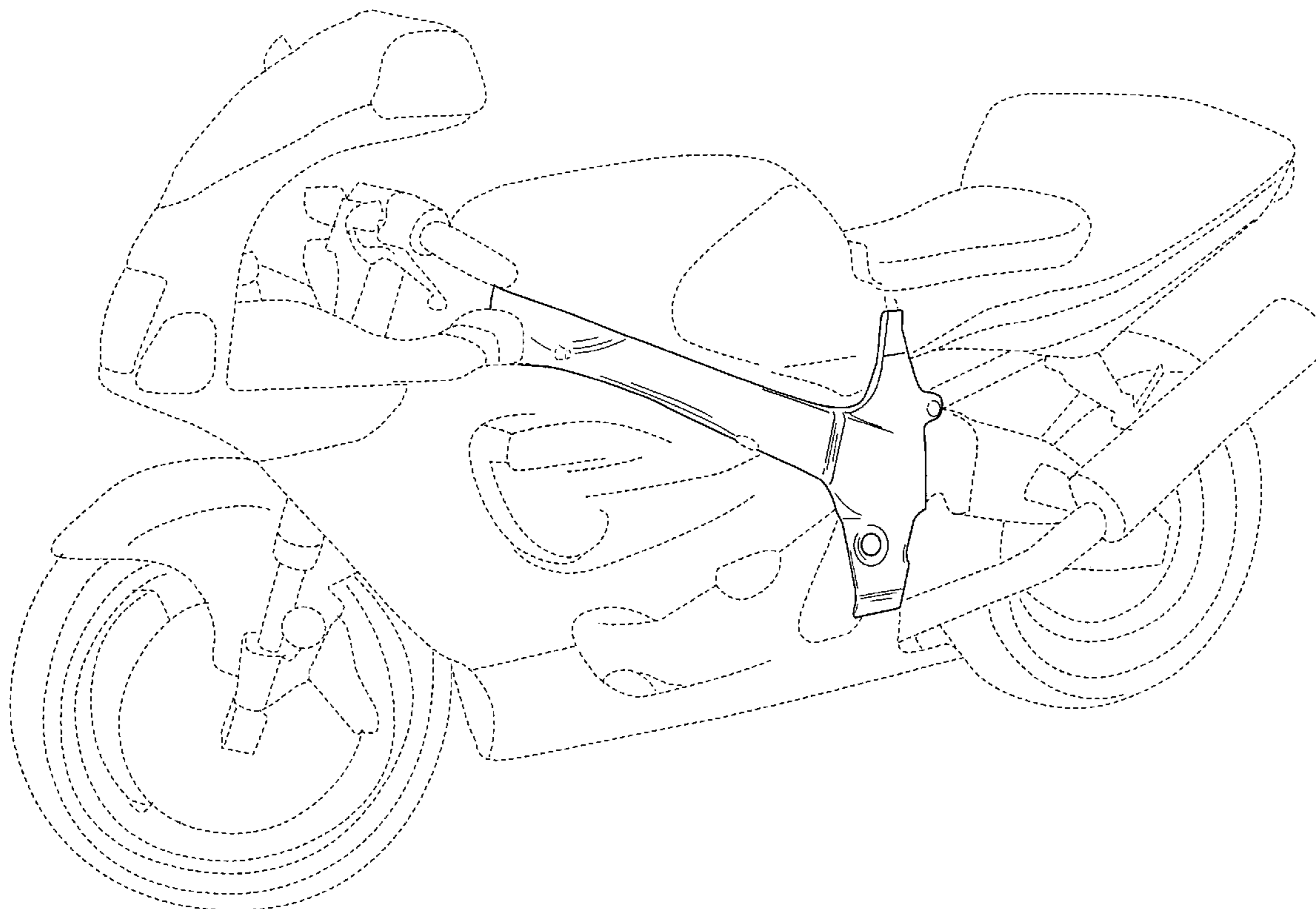
FIG. 6 is an enlarged bottom view thereof;

FIG. 7 is an enlarged front view thereof; and,

FIG. 8 is an enlarged rear view thereof.

The broken lines showing portions of the motorcycle are for illustrative purposes only and form no part of the claimed design.

**1 Claim, 7 Drawing Sheets**



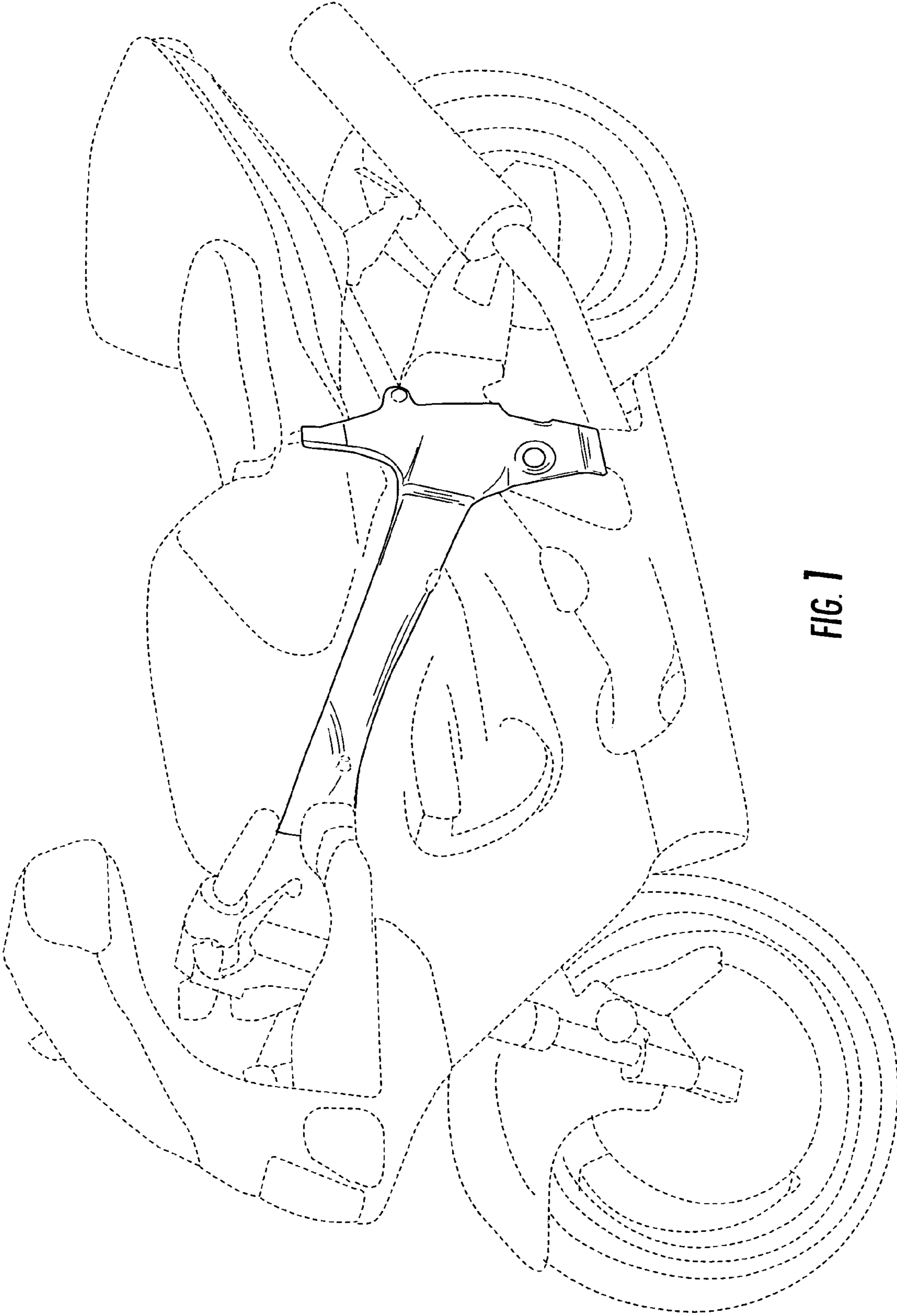


FIG. 7

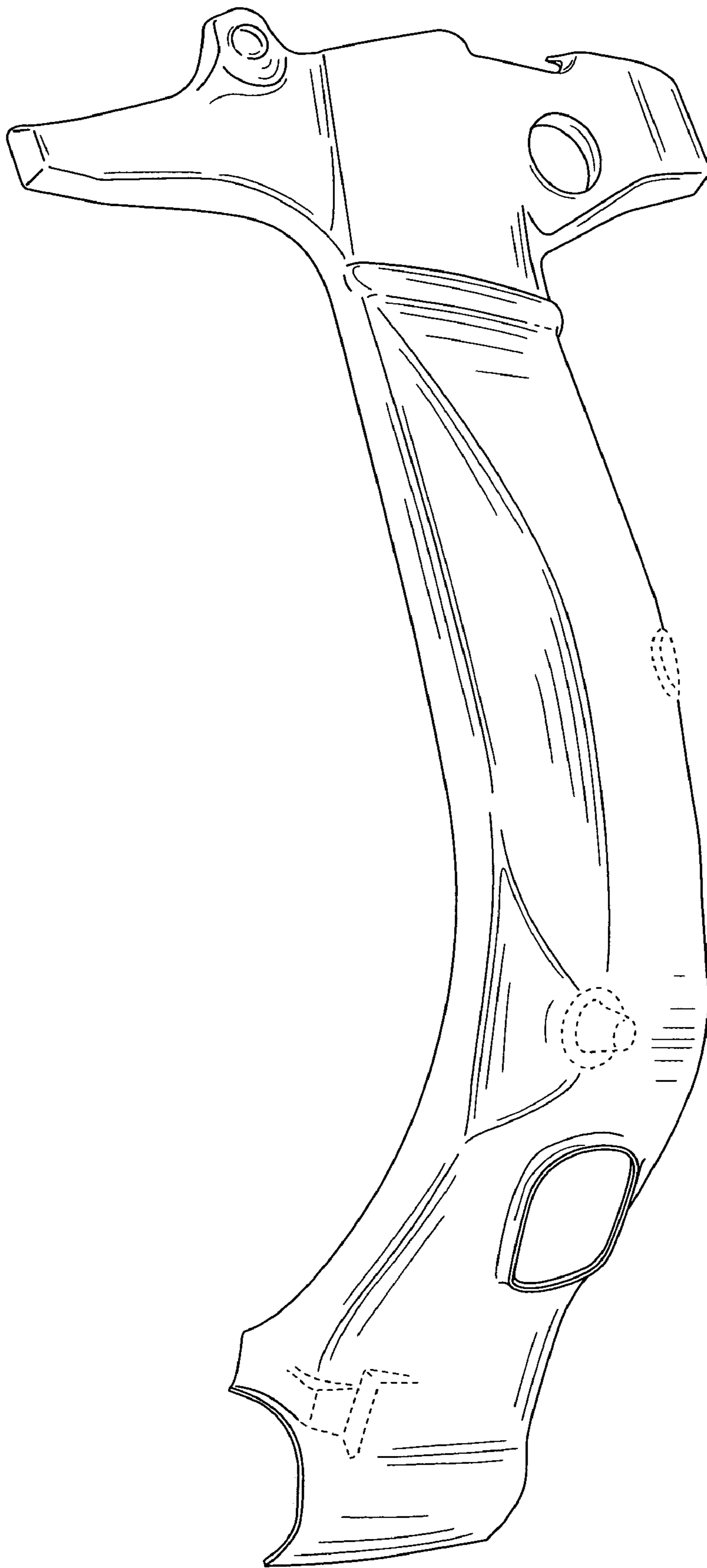


FIG. 2

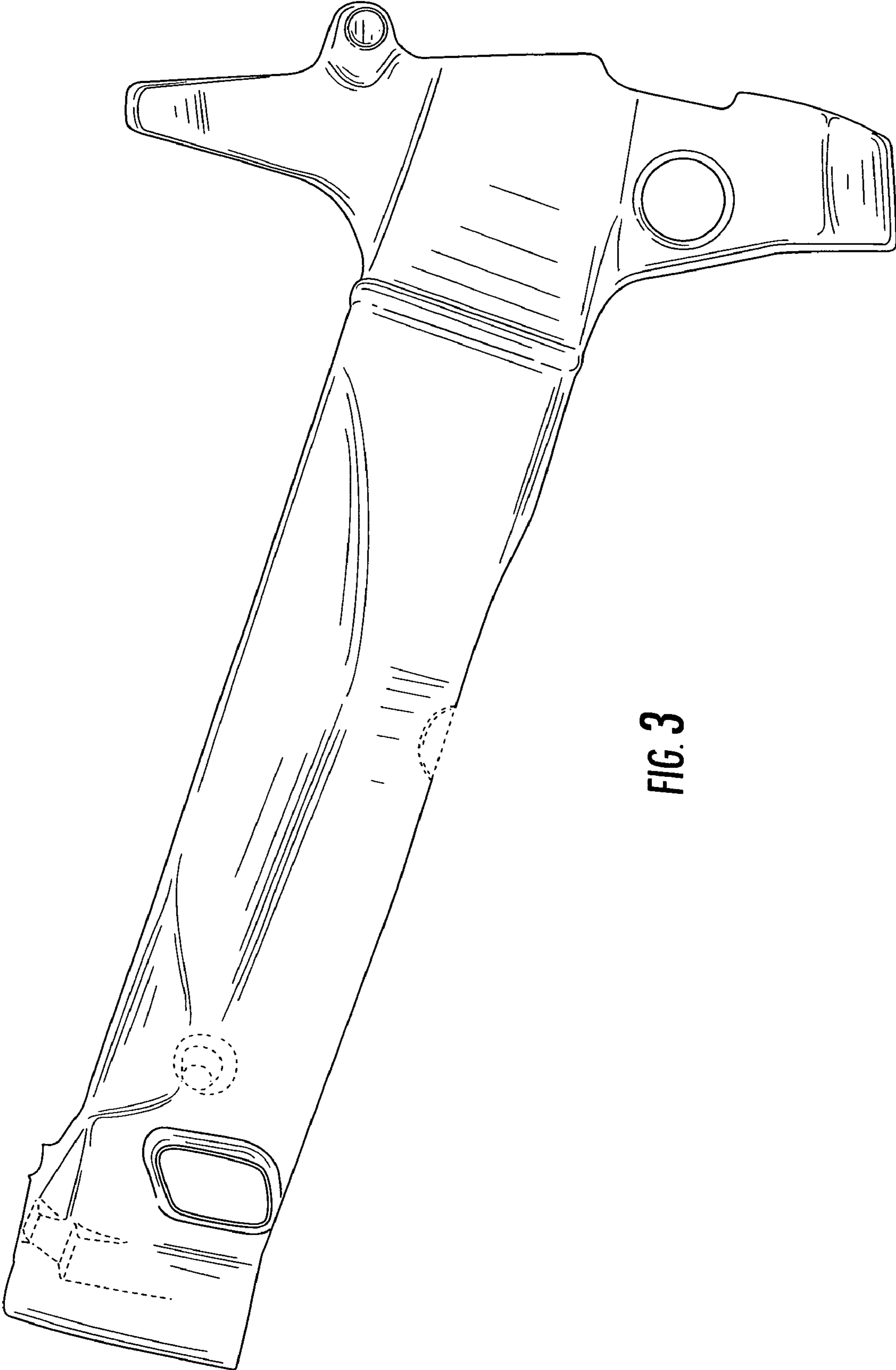


FIG. 3

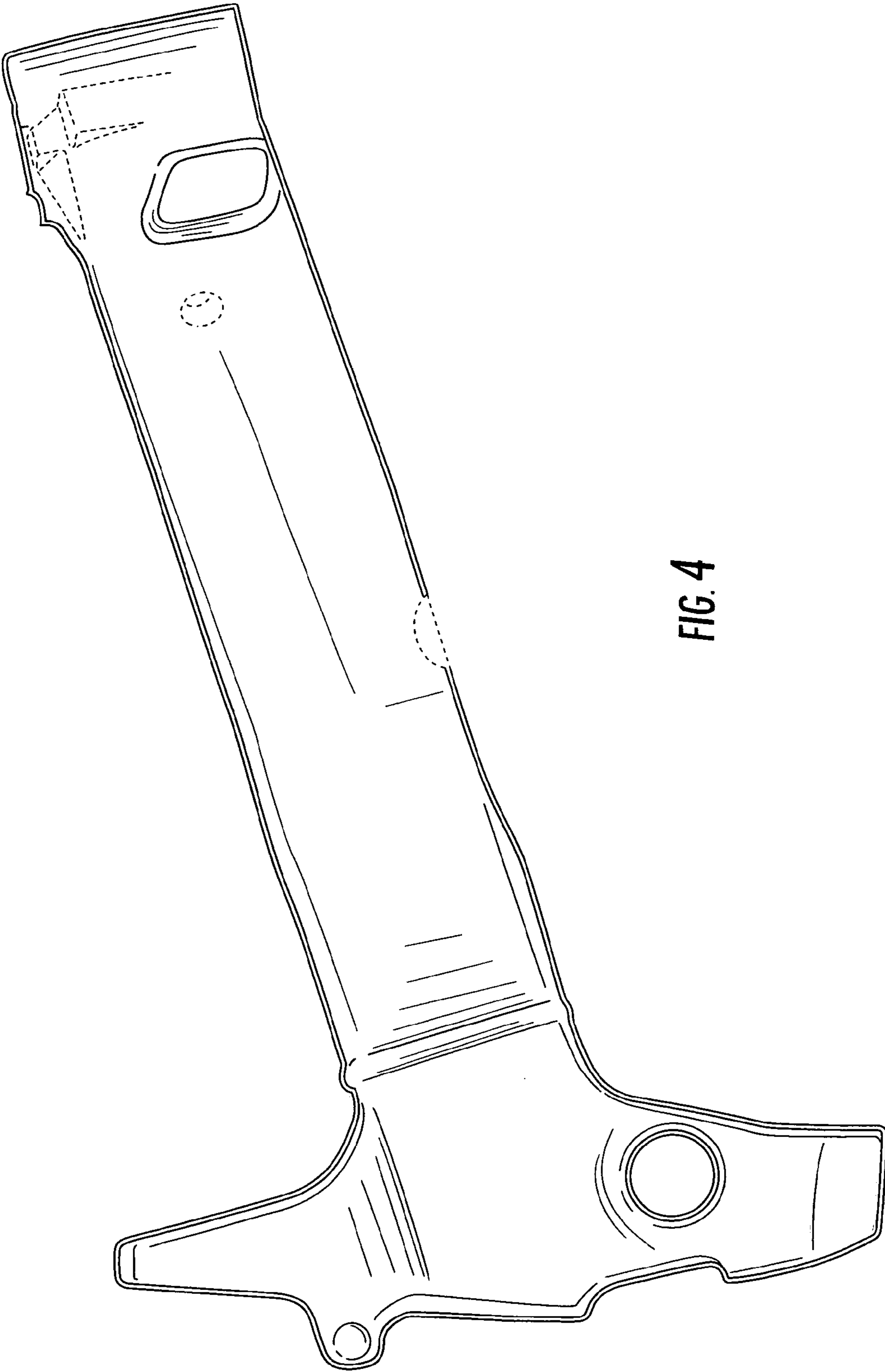


FIG. 4

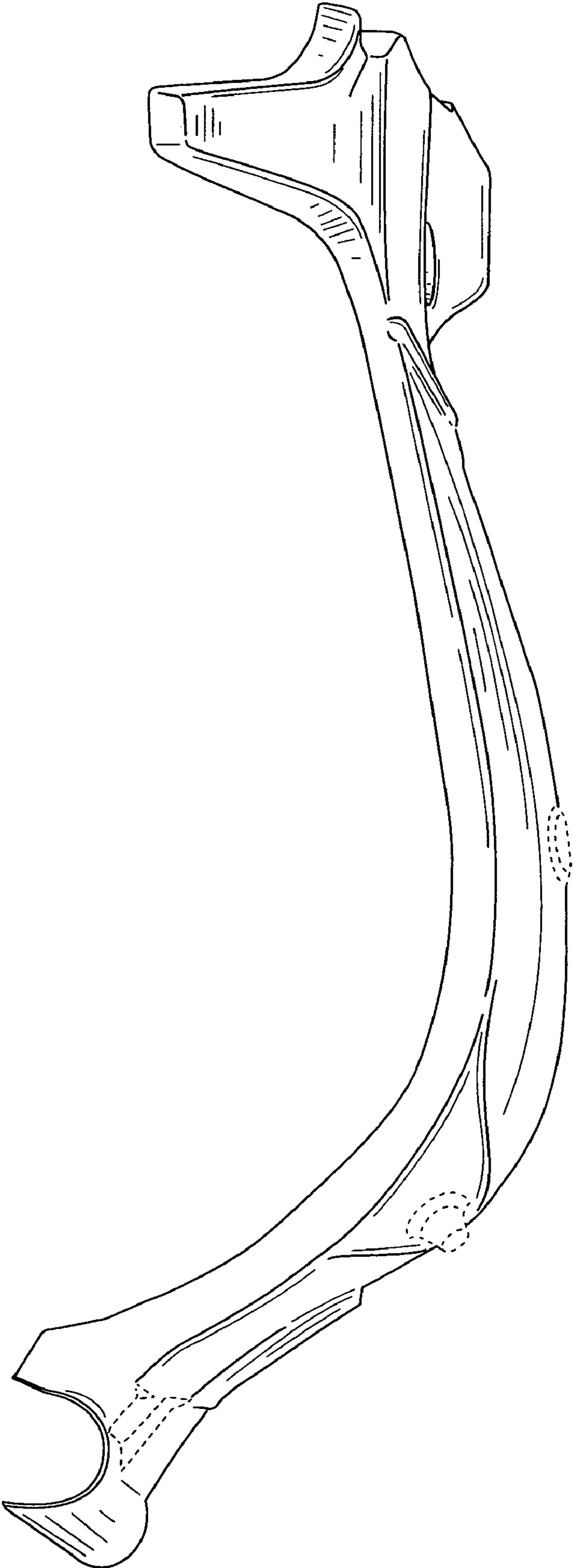


FIG. 5

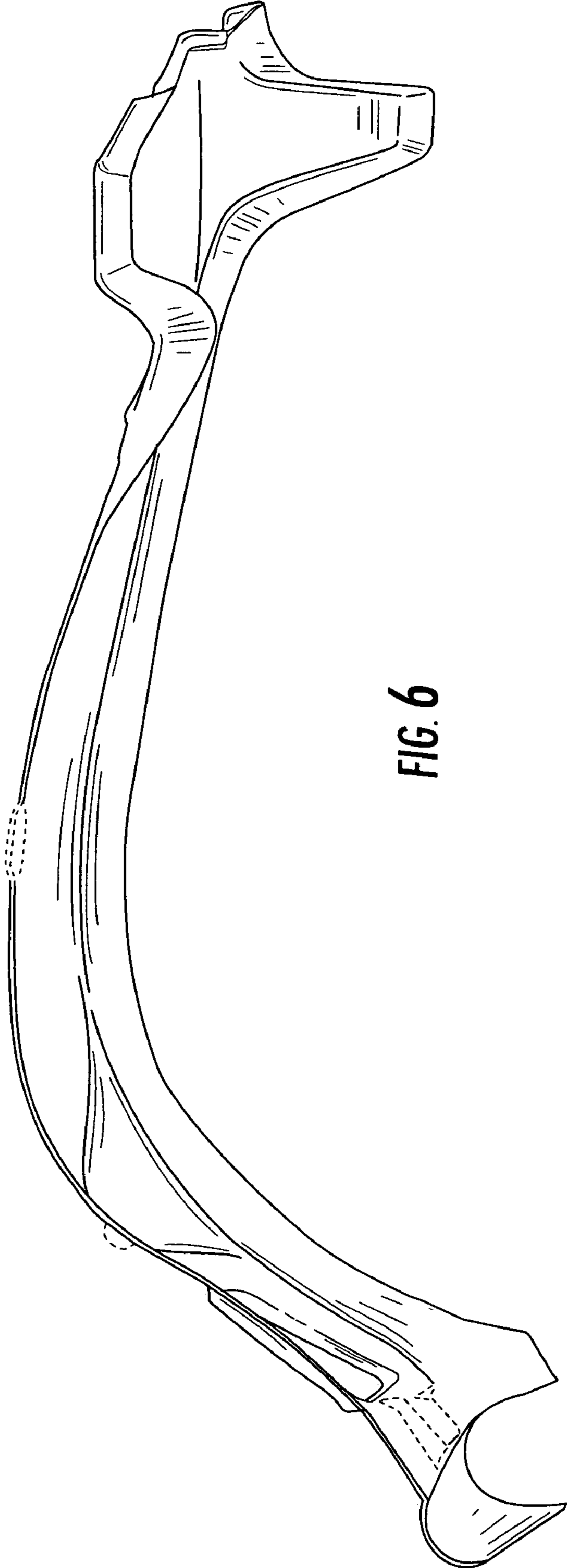
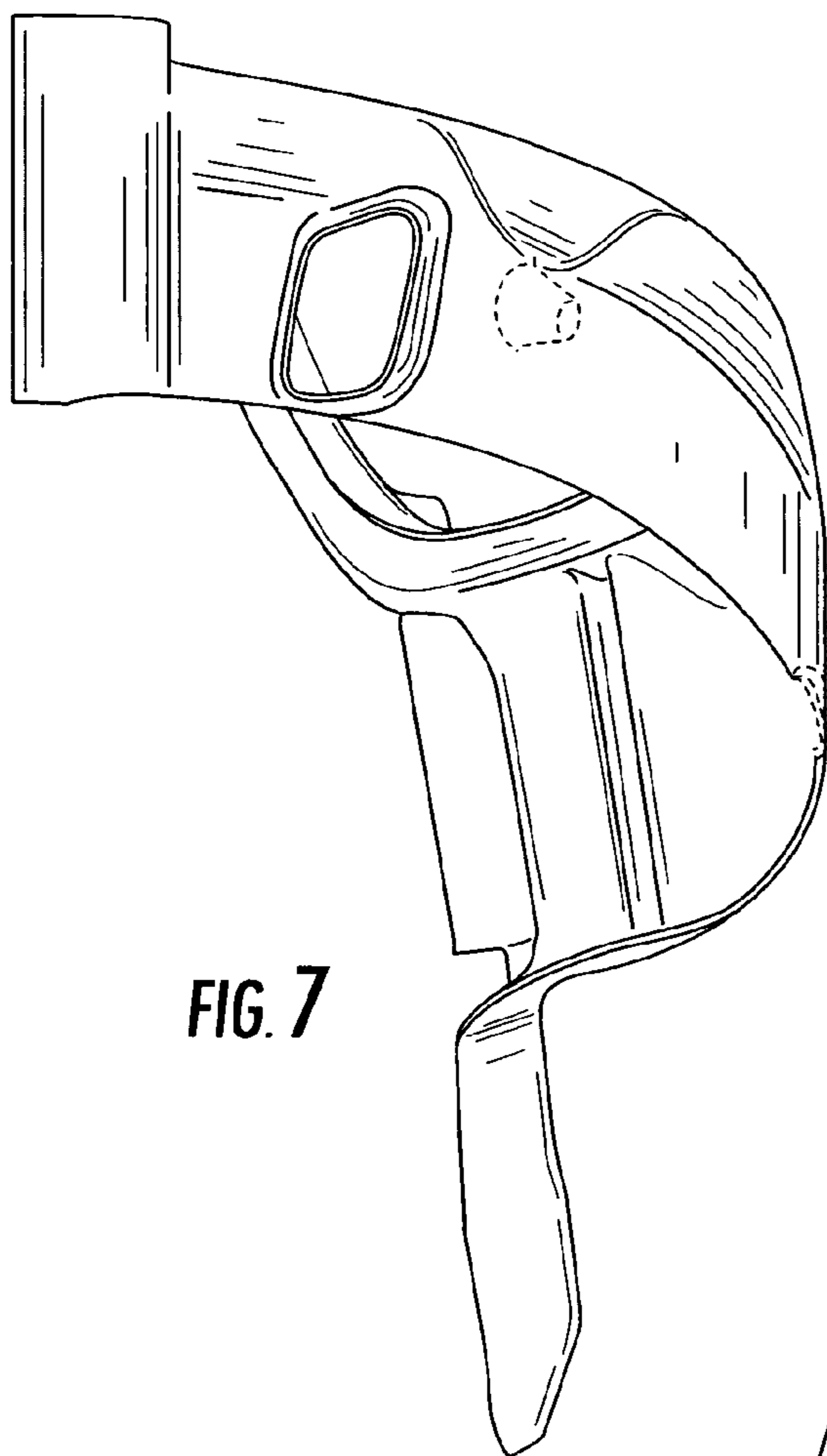
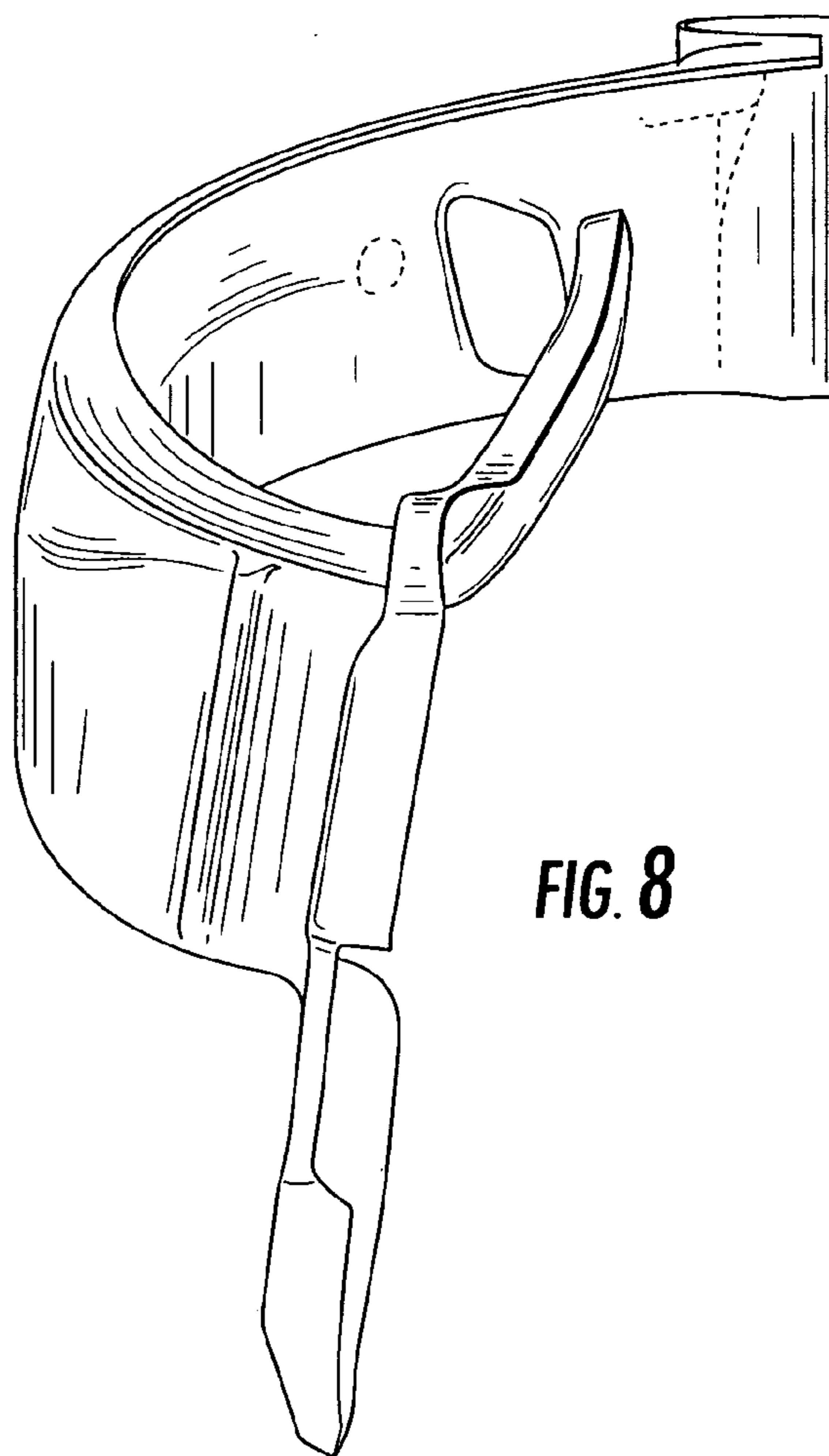


FIG. 6



**FIG. 7**



**FIG. 8**