



US00D556643S

(12) **United States Design Patent**
Baker

(10) **Patent No.:** **US D556,643 S**

(45) **Date of Patent:** **** Dec. 4, 2007**

(54) **MOTORCYCLE INNER PRIMARY SHIFTER
SPLINE SHAFT HOUSING COVER AND
SHIFTER SPLINE SHAFT SLEEVE COVER**

3,762,730	A *	10/1973	Cameron	279/4.06
4,269,445	A *	5/1981	Gager, Jr.	403/373
4,660,907	A *	4/1987	Belter	439/620
6,098,949	A *	8/2000	Robinson	248/635
6,575,260	B2 *	6/2003	Bourget	180/227

(76) **Inventor:** **Edward Baker**, 326 West Ave. 1,
Lancaster, CA (US) 93534

* cited by examiner

(**) **Term:** **14 Years**

Primary Examiner—Cathron C. Brooks

Assistant Examiner—Linda Brooks

(21) **Appl. No.:** **29/224,569**

(74) *Attorney, Agent, or Firm*—Dennis W. Beech

(22) **Filed:** **Mar. 3, 2005**

(57) **CLAIM**

(51) **LOC (8) Cl.** **12-11**

The ornamental design for a motorcycle inner primary shifter spline shaft housing cover and shifter spline shaft sleeve cover, as shown and described.

(52) **U.S. Cl.** **D12/114; D12/126**

(58) **Field of Classification Search** D12/114,
D12/223, 126, 122, 174, 110; D8/348, 354,
D8/356, 382-399; 74/478, 478.5, 473.16,
74/502.4, 512, 560, 561, 562, 562.5, 564;
464/162-169, 179-183; 280/288.4, 304.3,
280/291, 293, 294; 248/559, 571, 608, 609,
248/635, 638, 646, 650; 285/256-331, 341,
285/334.2, 62, 222.2, 222.4; 180/227, 228,
180/299, 219; 267/293; 403/197

DESCRIPTION

See application file for complete search history.

FIG. 1 is a perspective view of the motorcycle inner primary shifter spline shaft housing cover and shifter spline shaft sleeve cover showing my new design;

FIG. 2 is a side view of the invention thereof;

FIG. 3 is a first end view thereof;

FIG. 4 is a side view thereof;

FIG. 5 is a side view thereof;

FIG. 6 is a second end view thereof; and,

FIG. 7 is a side view thereof.

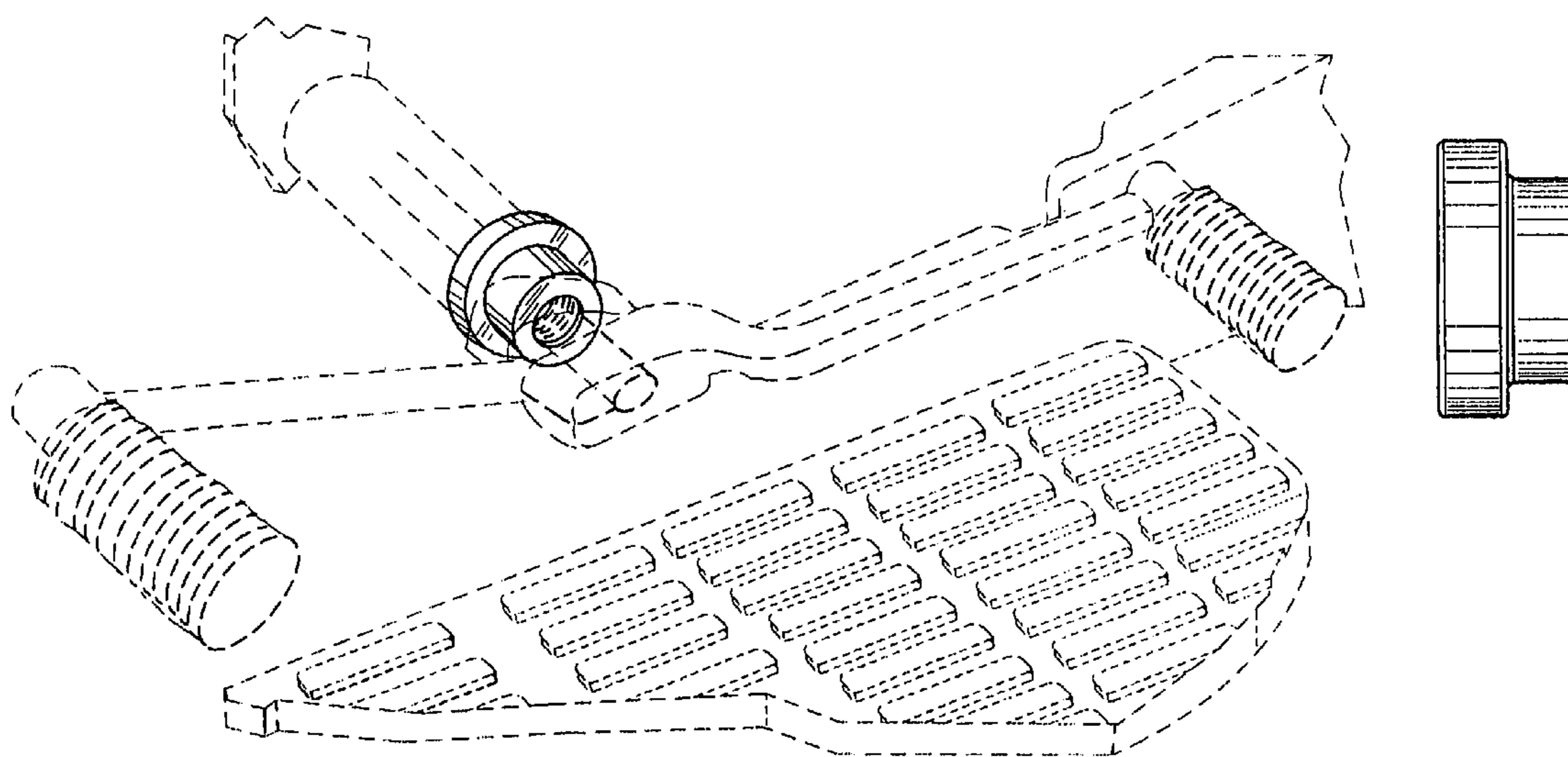
The broken lines shown in the drawing form no part of the claimed design.

(56) **References Cited**

U.S. PATENT DOCUMENTS

297,880	A *	4/1884	Van Riper et al.	285/311
434,282	A *	8/1890	Leland	285/329
2,826,436	A *	3/1958	Hupp et al.	285/288.1
2,891,103	A *	6/1959	Swengel	74/502.4
3,371,937	A *	3/1968	Maeda	285/319

1 Claim, 1 Drawing Sheet



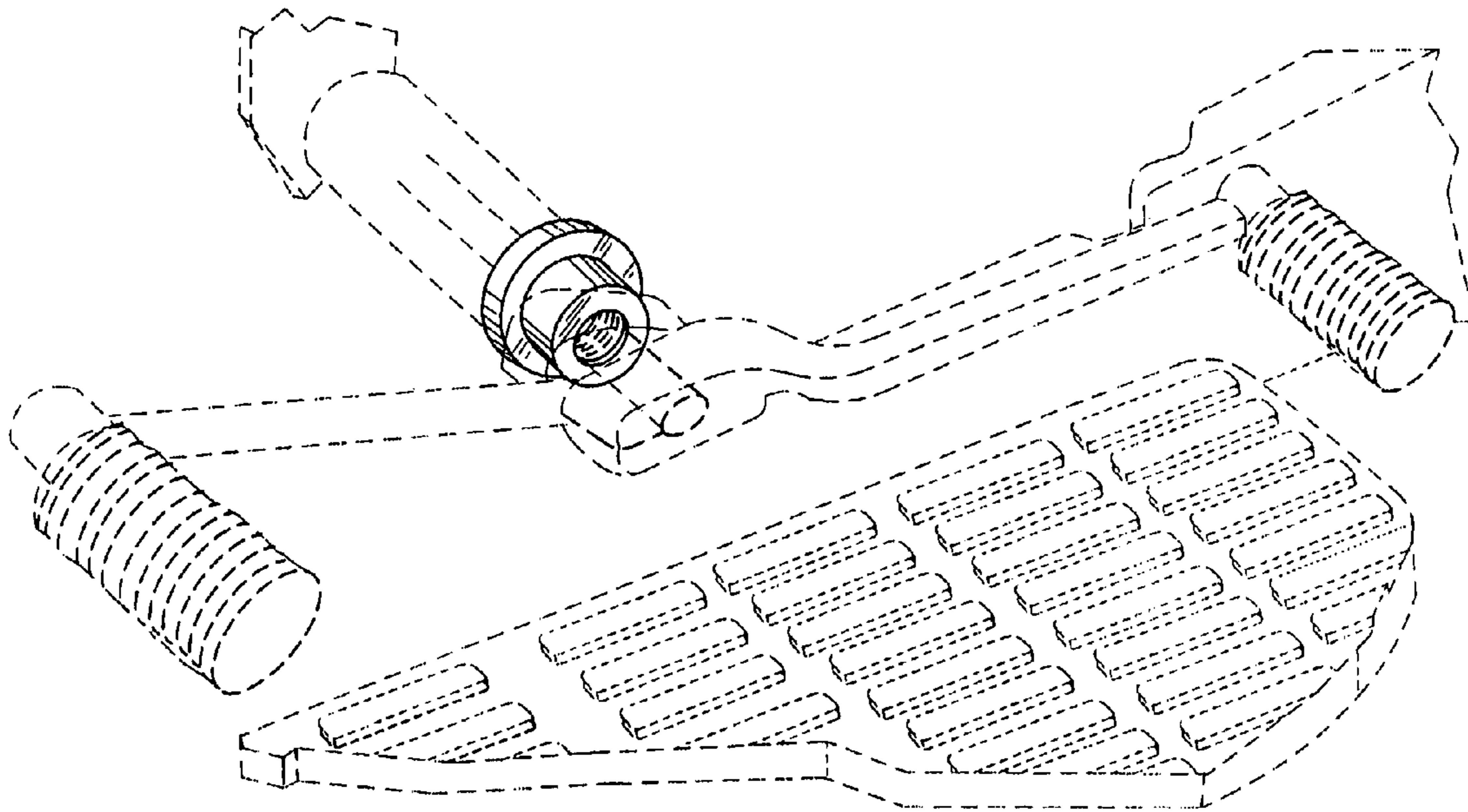


FIG. 1

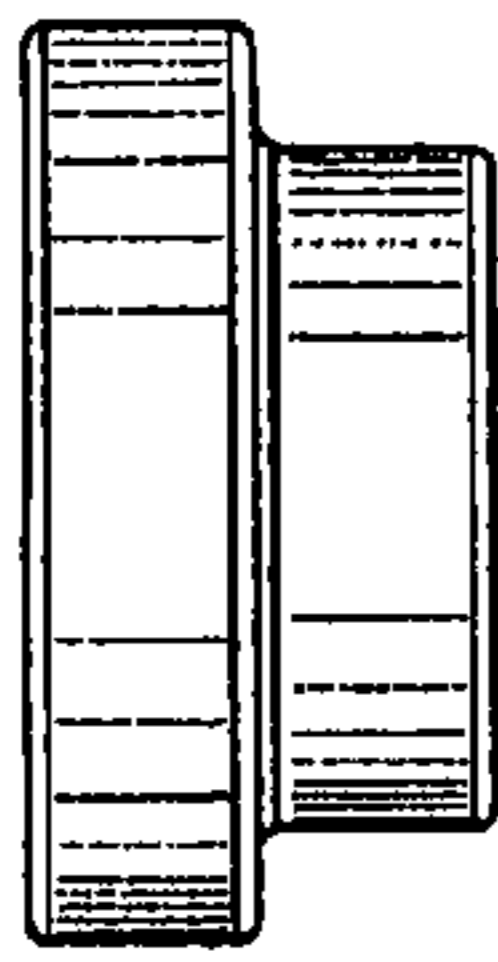


FIG. 2

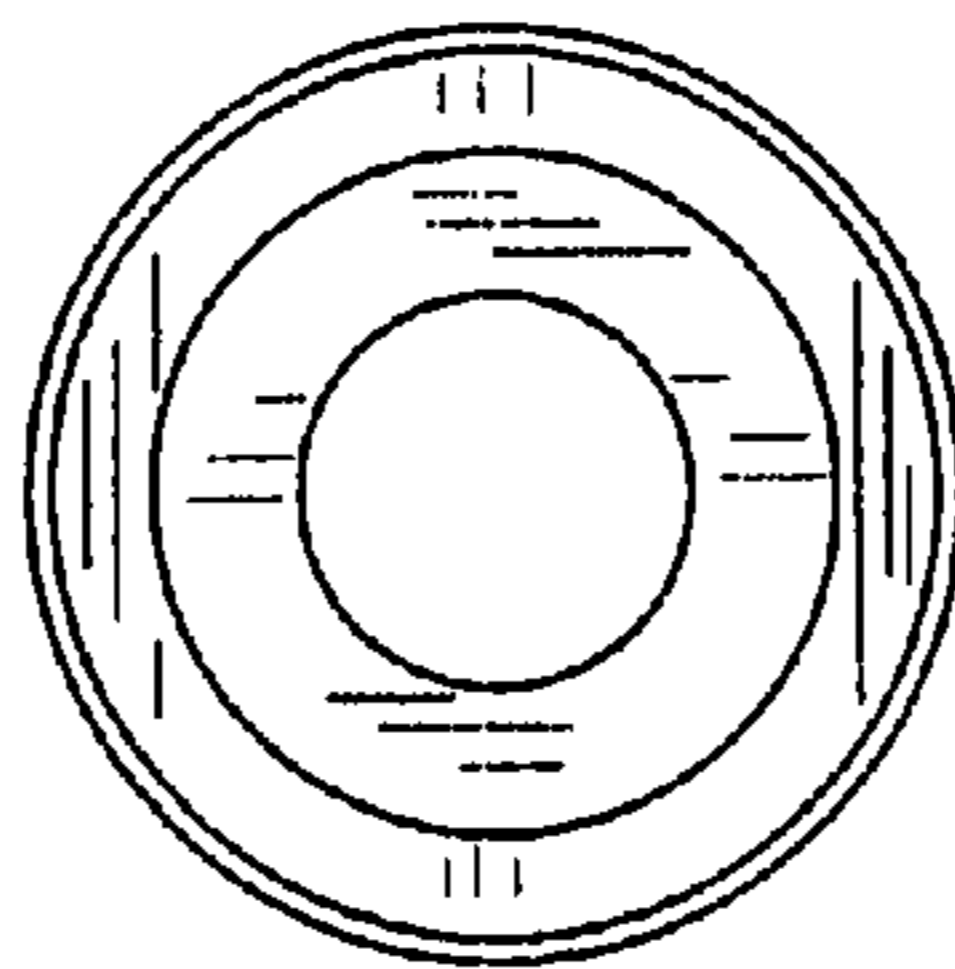


FIG. 3

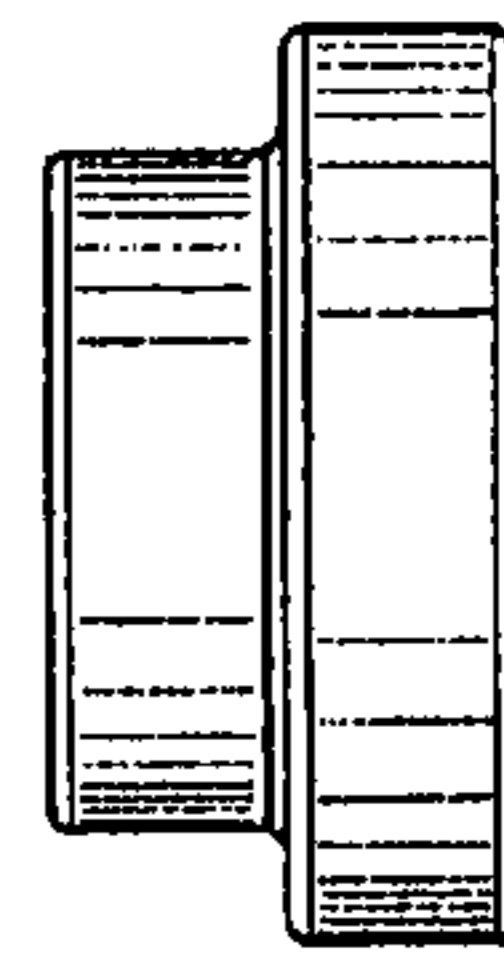


FIG. 4

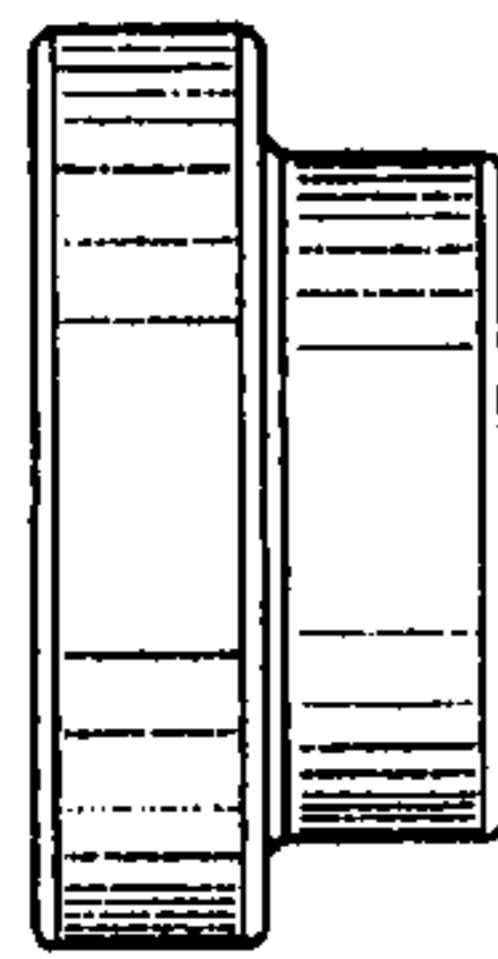


FIG. 5

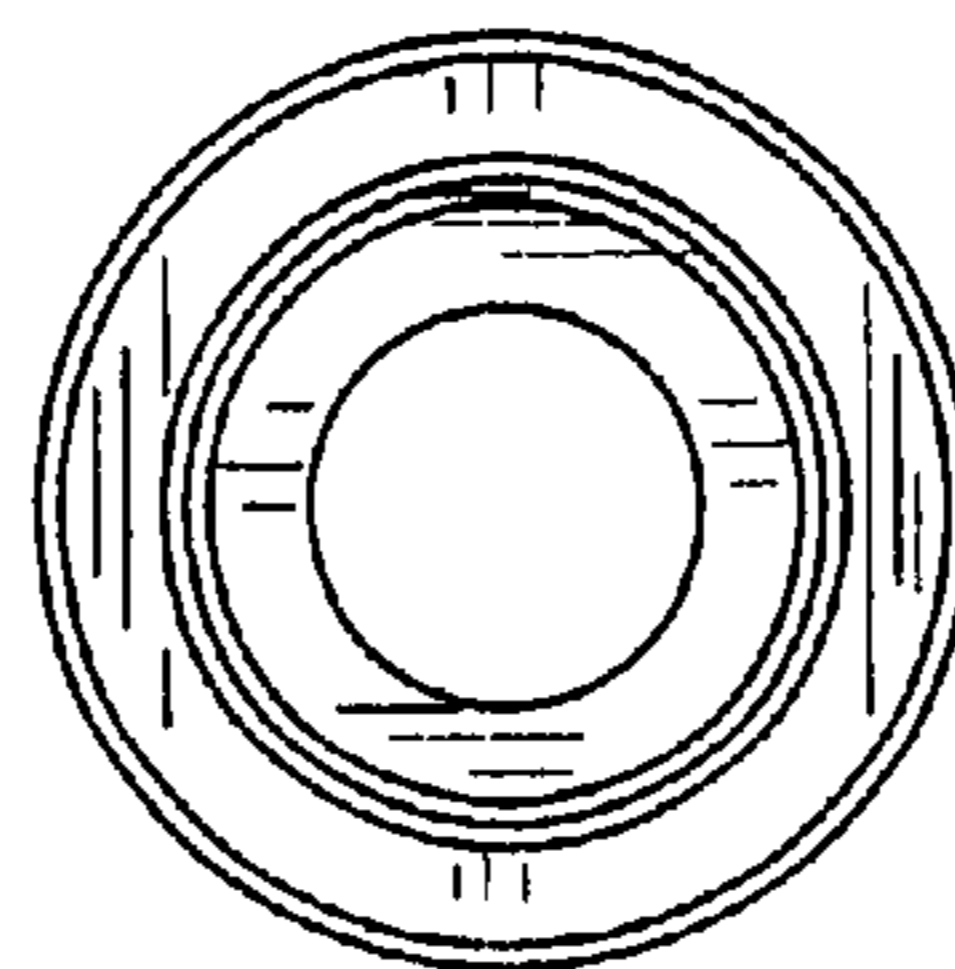


FIG. 6

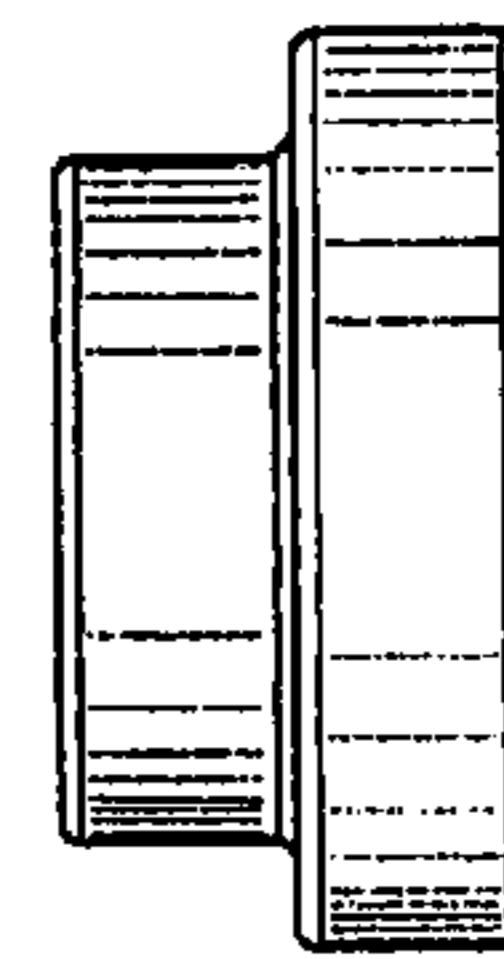


FIG. 7