



US00D556642S

(12) **United States Design Patent**  
**Lu**

(10) **Patent No.:** **US D556,642 S**  
(45) **Date of Patent:** **\*\* Dec. 4, 2007**

(54) **BICYCLE**

D529,843 S \* 10/2006 Pizzi ..... D12/111

(76) Inventor: **Fa-Hsing Lu**, 7F, No. 109, Sec. 3.,  
Taijunggang Road, Shituen Chiu,  
Taichung City (TW)

\* cited by examiner

*Primary Examiner*—Cathron C. Brooks

*Assistant Examiner*—Linda Brooks

(74) *Attorney, Agent, or Firm*—C. G. Mersereau; Nikolai &  
Mersereau, P.A.

(\*\*) **Term:** **14 Years**

(21) **Appl. No.:** **29/262,719**

(22) **Filed:** **Jul. 10, 2006**

(57) **CLAIM**

The ornamental design for a bicycle, as shown and  
described.

(51) **LOC (8) Cl.** ..... **12-11**

(52) **U.S. Cl.** ..... **D12/111**

(58) **Field of Classification Search** ..... D12/110,  
D12/111; 280/274–288, 281.1, 288.1–288.3,  
280/827, 828; 446/440; 180/65.1–65.3,  
180/65.5, 65.6, 205–207, 219, 220; D21/432,  
D21/538

See application file for complete search history.

**DESCRIPTION**

FIG. 1 is a perspective view of a bicycle showing my new  
design;

FIG. 2 is a front elevational view thereof;

FIG. 3 is a rear elevational view thereof;

FIG. 4 is a right elevational view thereof;

FIG. 5 is a left elevational view thereof;

FIG. 6 is a top plan view thereof; and,

FIG. 7 is a bottom plan view thereof.

(56) **References Cited**

**U.S. PATENT DOCUMENTS**

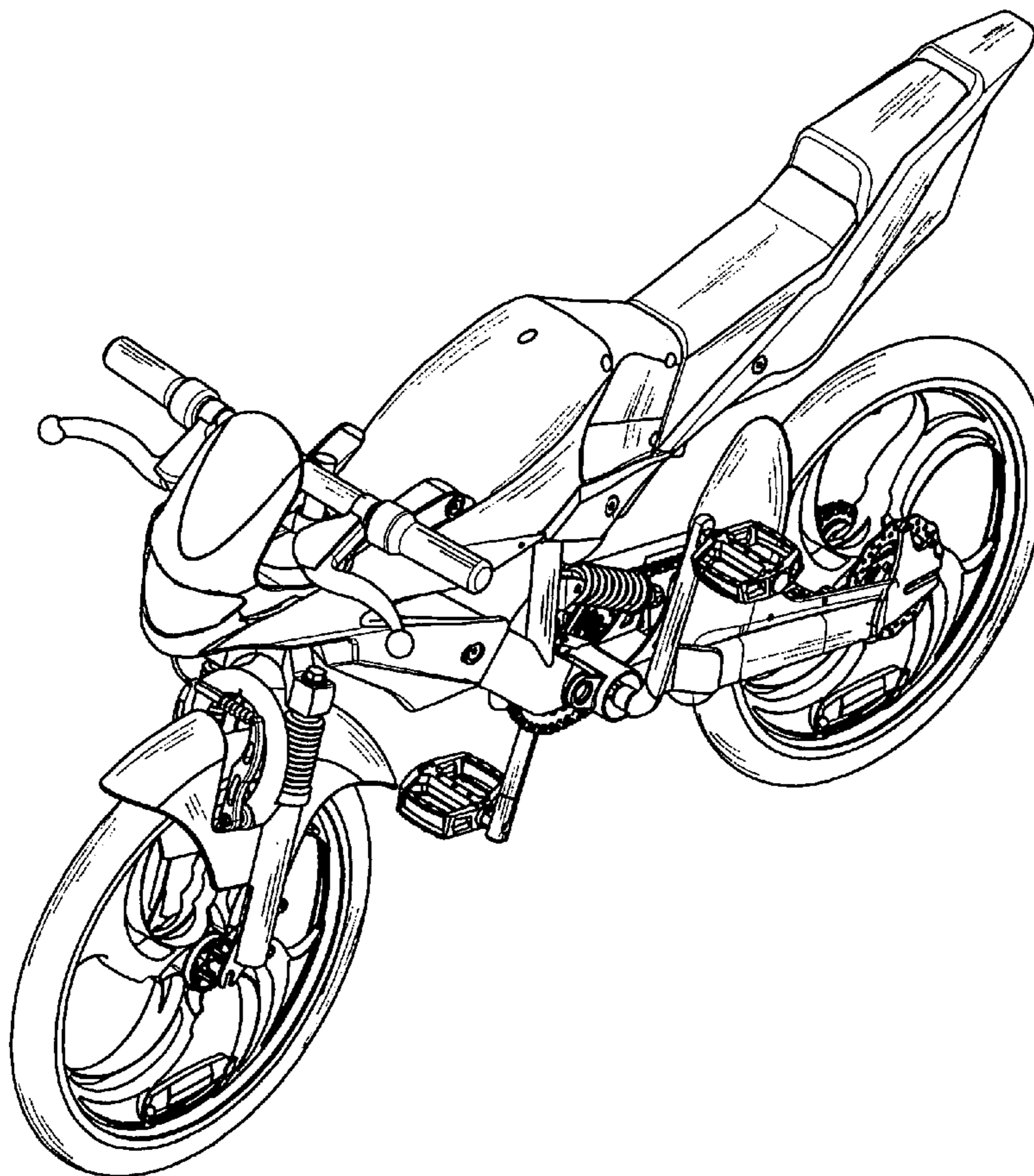
D281,615 S \* 12/1985 Barbato et al. .... D21/432

D291,292 S \* 8/1987 Smith et al. .... D12/111

D342,702 S \* 12/1993 Camfield et al. .... D12/111

D529,842 S \* 10/2006 Lu ..... D12/111

**1 Claim, 7 Drawing Sheets**



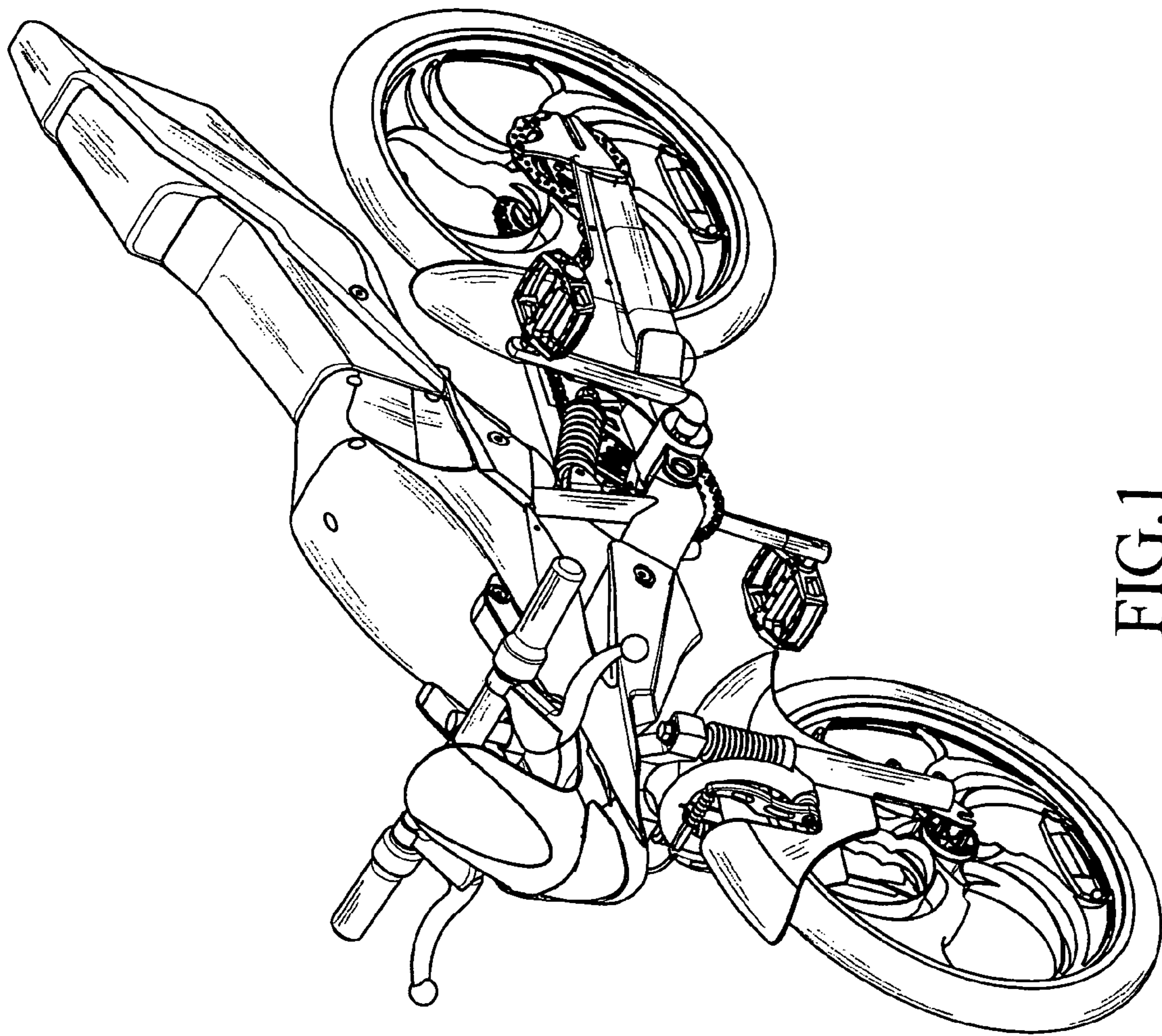


FIG.1

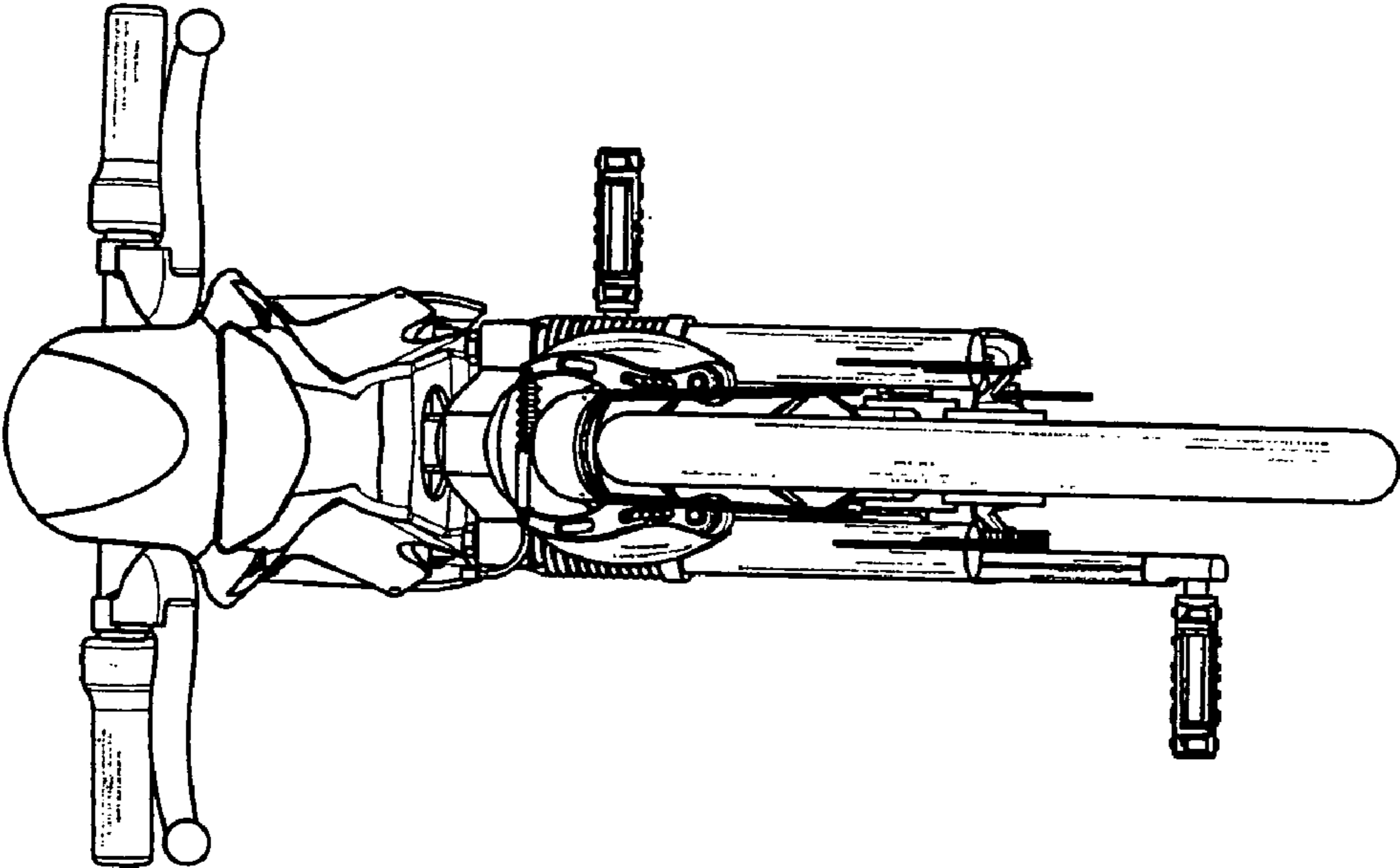


FIG.2

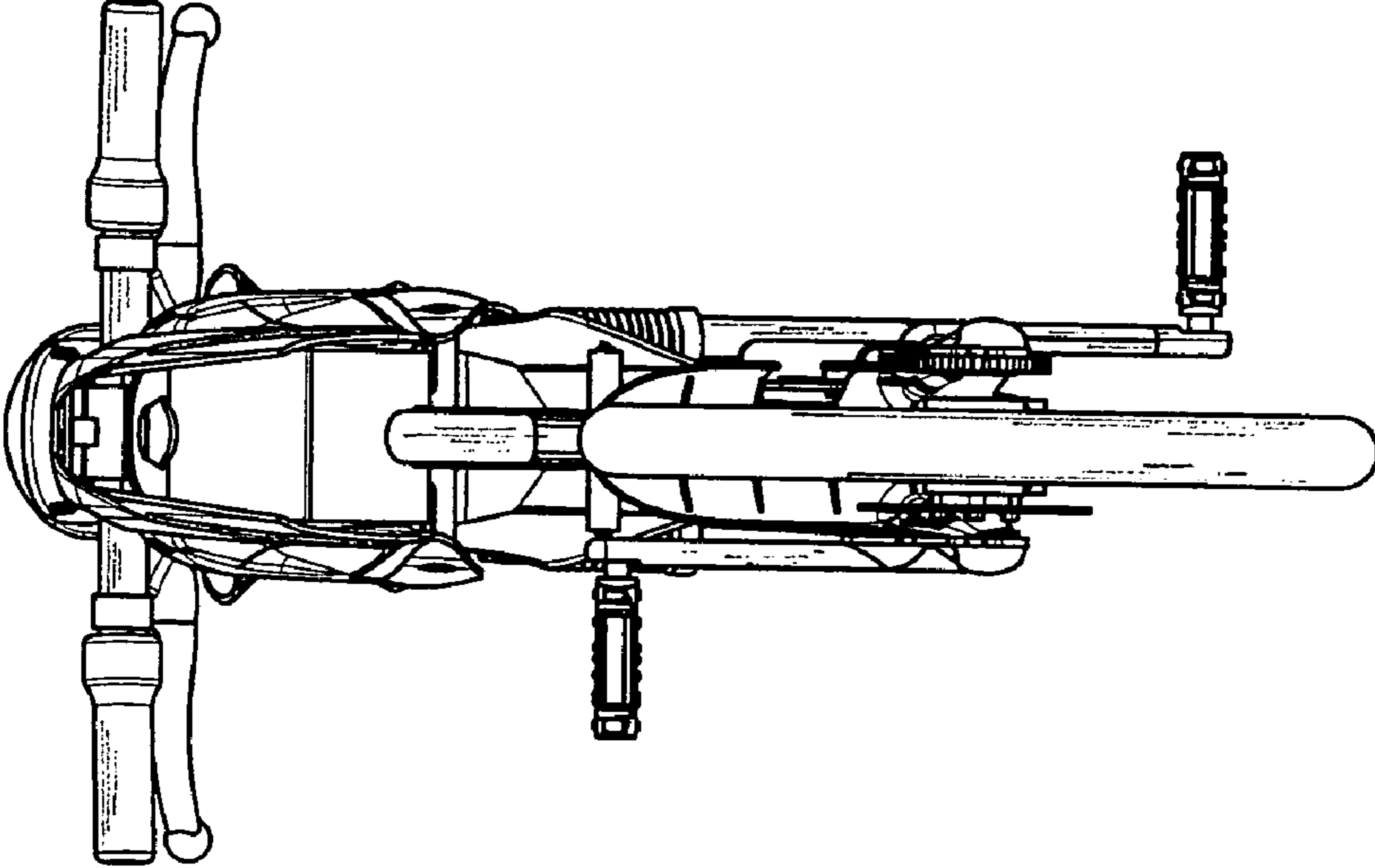


FIG.3

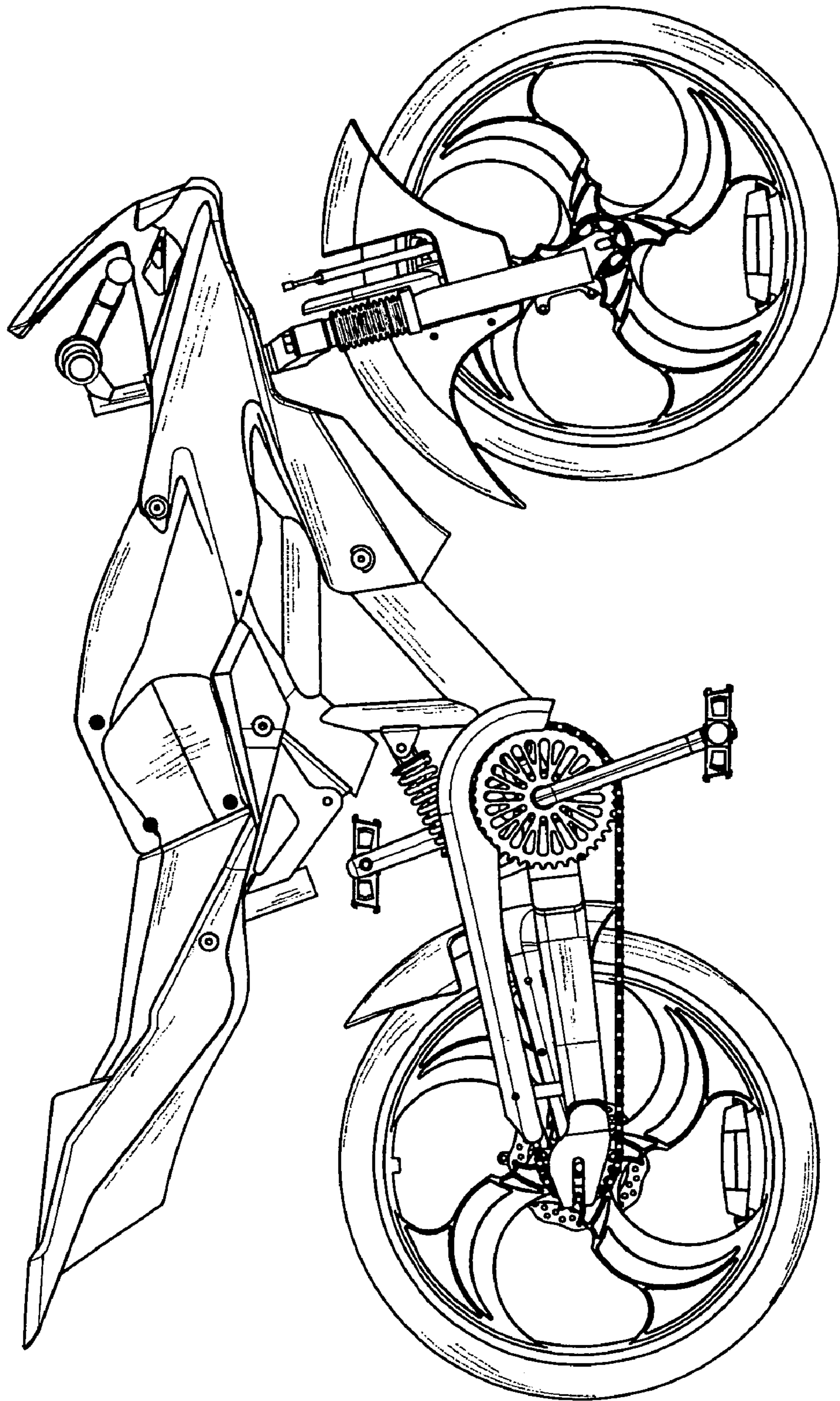


FIG.4

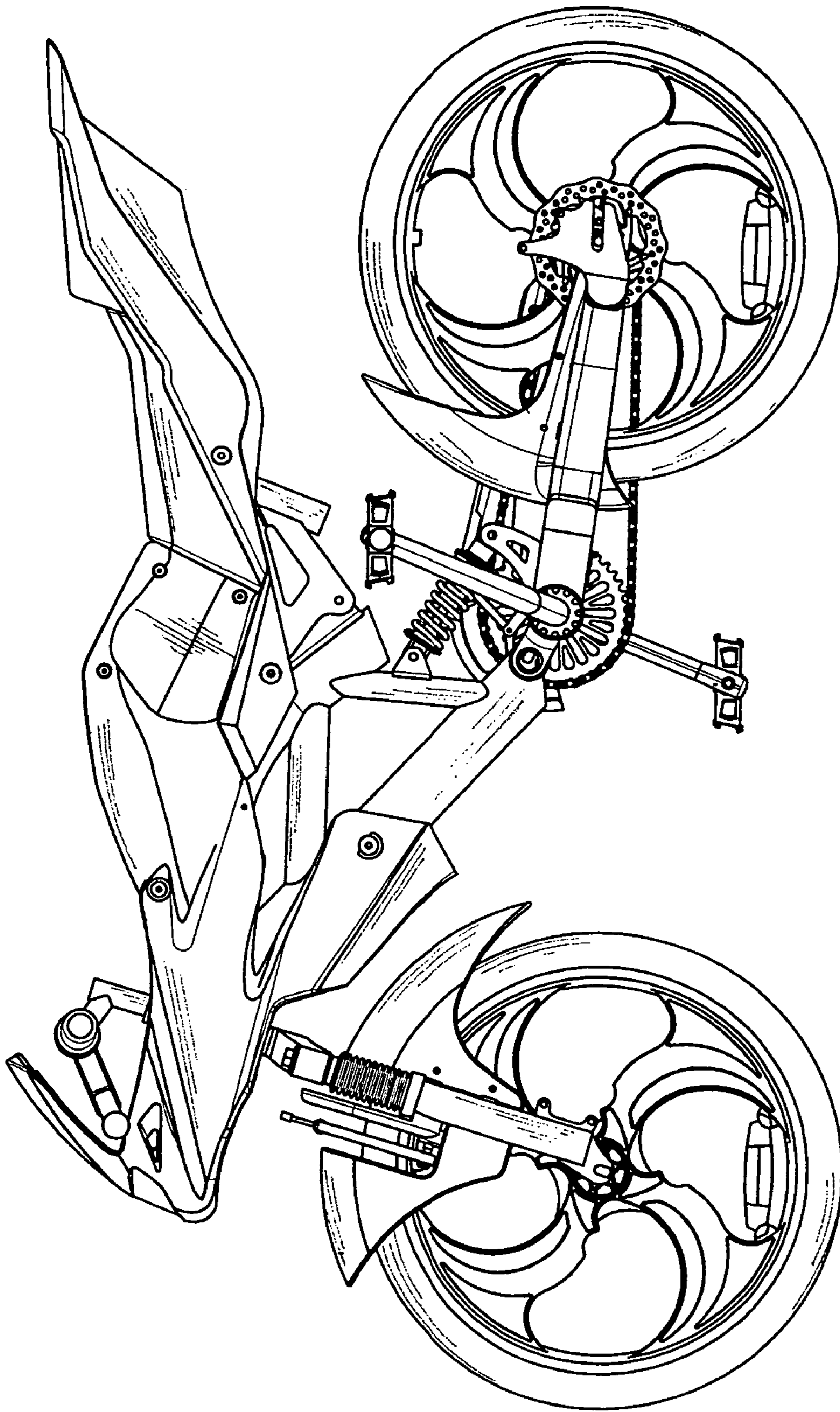


FIG.5

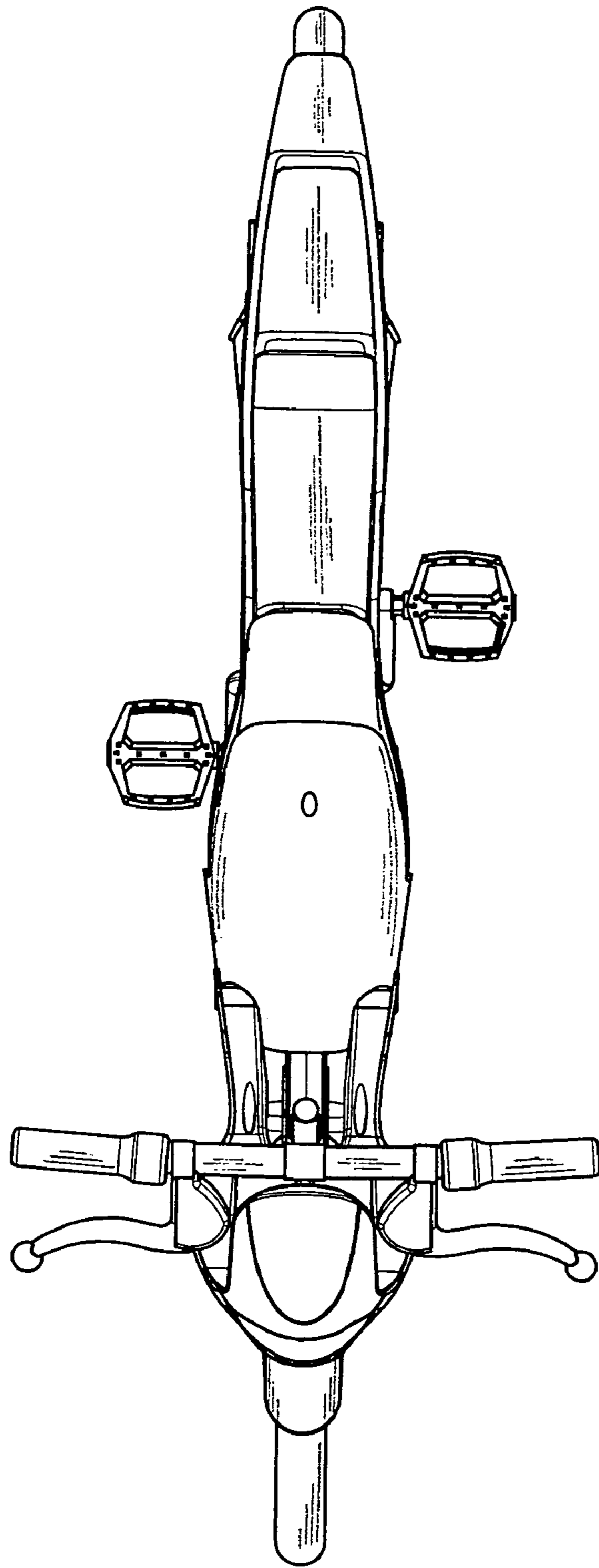


FIG.6

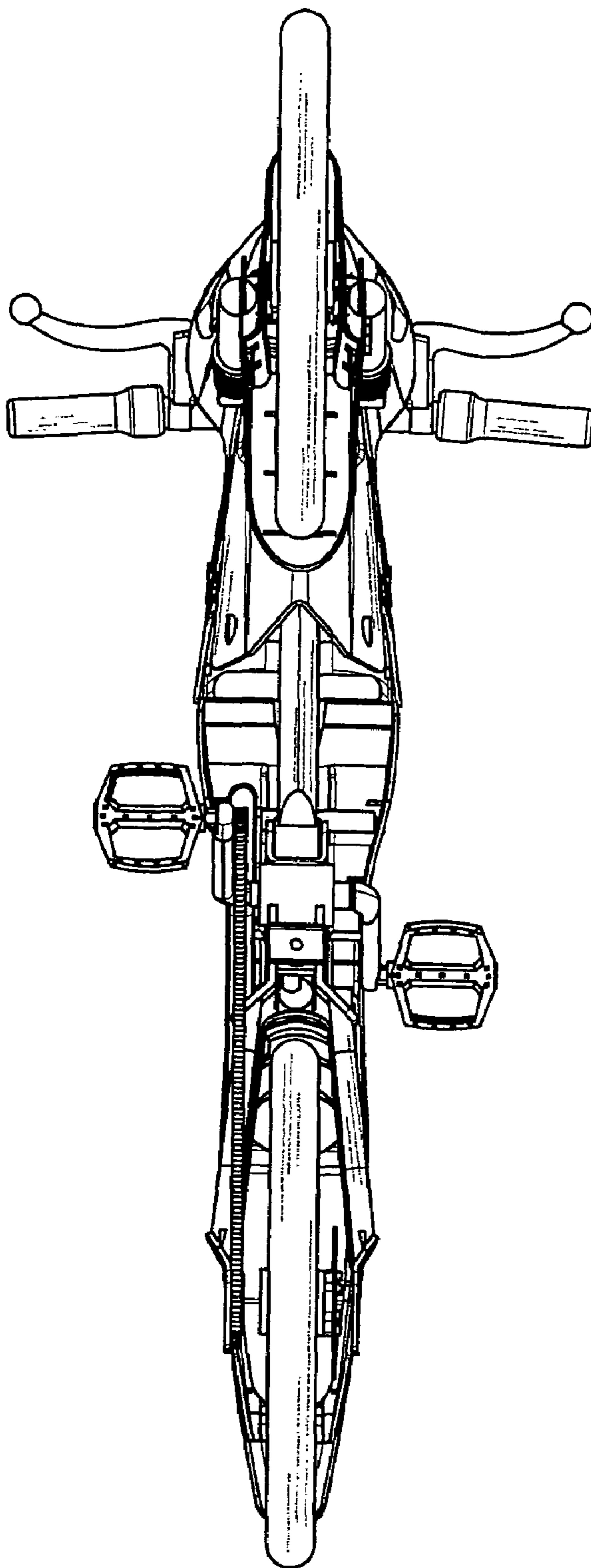


FIG. 7