



US00D556641S

(12) **United States Design Patent**
MacCarrone et al.

(10) **Patent No.:** **US D556,641 S**
(45) **Date of Patent:** **** Dec. 4, 2007**

(54) **BICYCLE WITHOUT A SEAT**

D477,549 S * 7/2003 Wu D12/111
6,619,682 B1 * 9/2003 Carr et al. 280/253

(76) Inventors: **Paolo MacCarrone**, Via Balbis, 23/F,
Torino I-10144 (IT); **Guido**
MacCarrone, Via Balbis, 23/F, Torino
I-10144 (IT); **Alberto Clara**, Via
Balbis, 23/F, Torino I-10144 (IT)

* cited by examiner

Primary Examiner—Cathron C. Brooks

Assistant Examiner—Linda Brooks

(74) *Attorney, Agent, or Firm*—Merchant & Gould P.C.

(**) Term: **14 Years**

(21) Appl. No.: **29/233,826**

(57) **CLAIM**

(22) Filed: **Jul. 8, 2005**

The ornamental design for a bicycle without a seat, as shown and described.

(30) **Foreign Application Priority Data**

Jan. 10, 2005 (EM) 000281563-0004

DESCRIPTION

(51) **LOC (8) Cl.** **12-11**

FIG. 1 is a front perspective view of a bicycle without a seat in accordance with our invention thereof;

(52) **U.S. Cl.** **D12/111**

FIG. 2 is a top elevational view thereof;

(58) **Field of Classification Search** D12/110,

FIG. 3 is a frontal elevational view thereof;

D12/111; D21/423, 432, 663; 280/14.28,
280/200, 220, 221, 251–253, 255, 256, 258–261,
280/87.041, 274–288, 288.1–288.3, 11.115,
280/281.1

FIG. 4 is a rear elevational view thereof;

See application file for complete search history.

FIG. 5 is a left side elevational view thereof;

(56) **References Cited**

FIG. 6 is a right side elevational view of a bicycle without a seat; and,

U.S. PATENT DOCUMENTS

FIG. 7 is a rear perspective view of a bicycle without a seat.

4,379,566 A * 4/1983 Titcomb 280/251

1 Claim, 7 Drawing Sheets

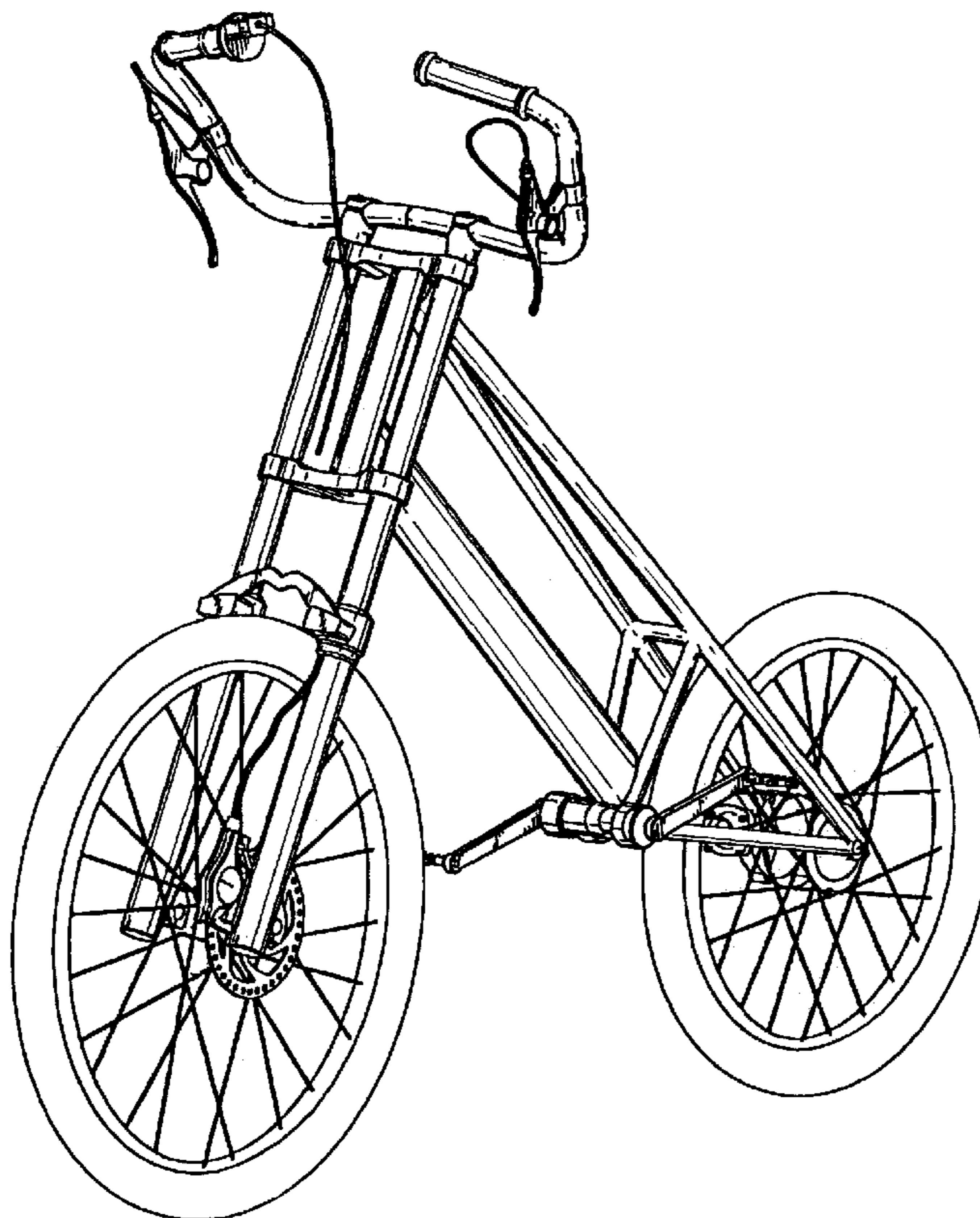


FIG. 1

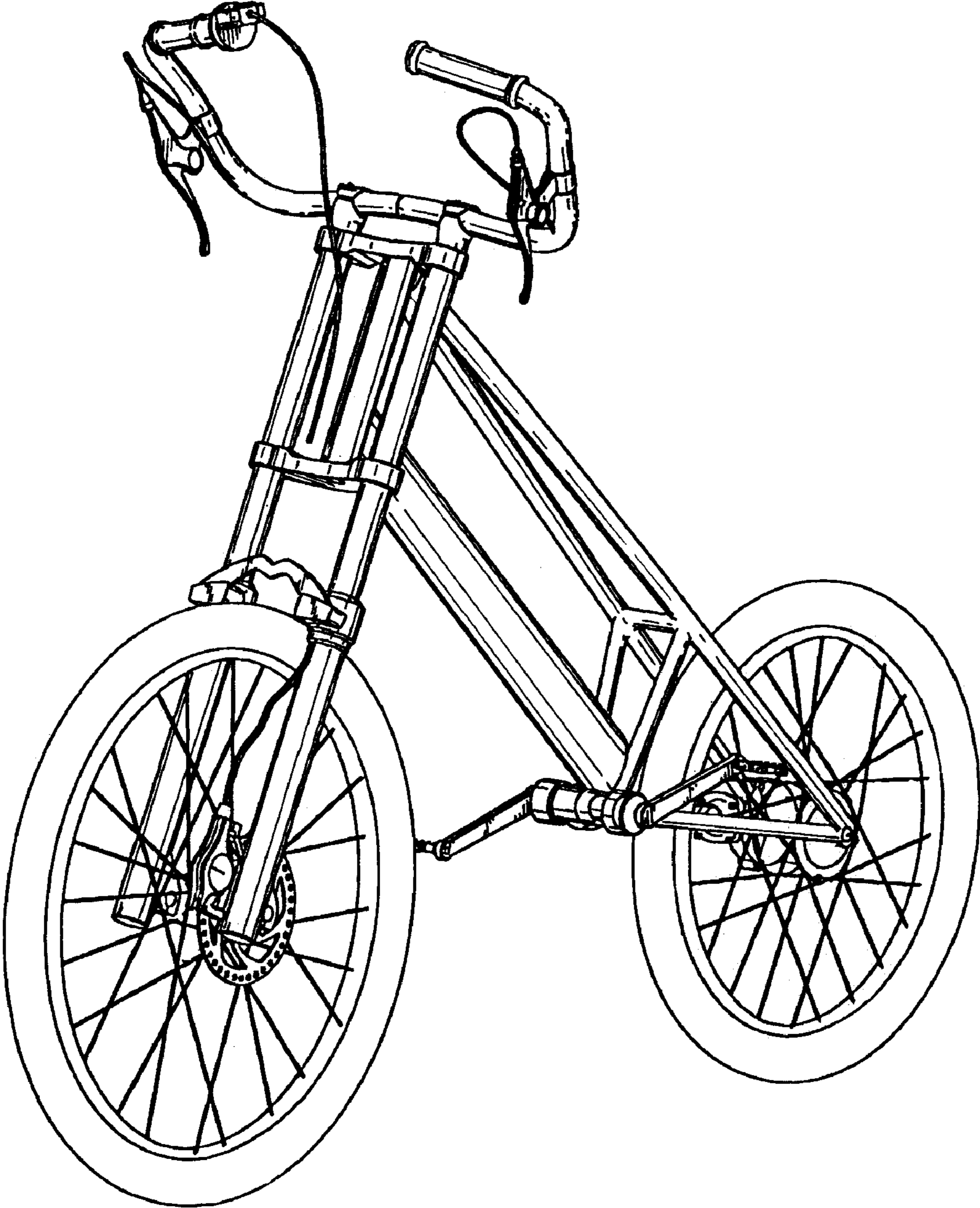


FIG. 2

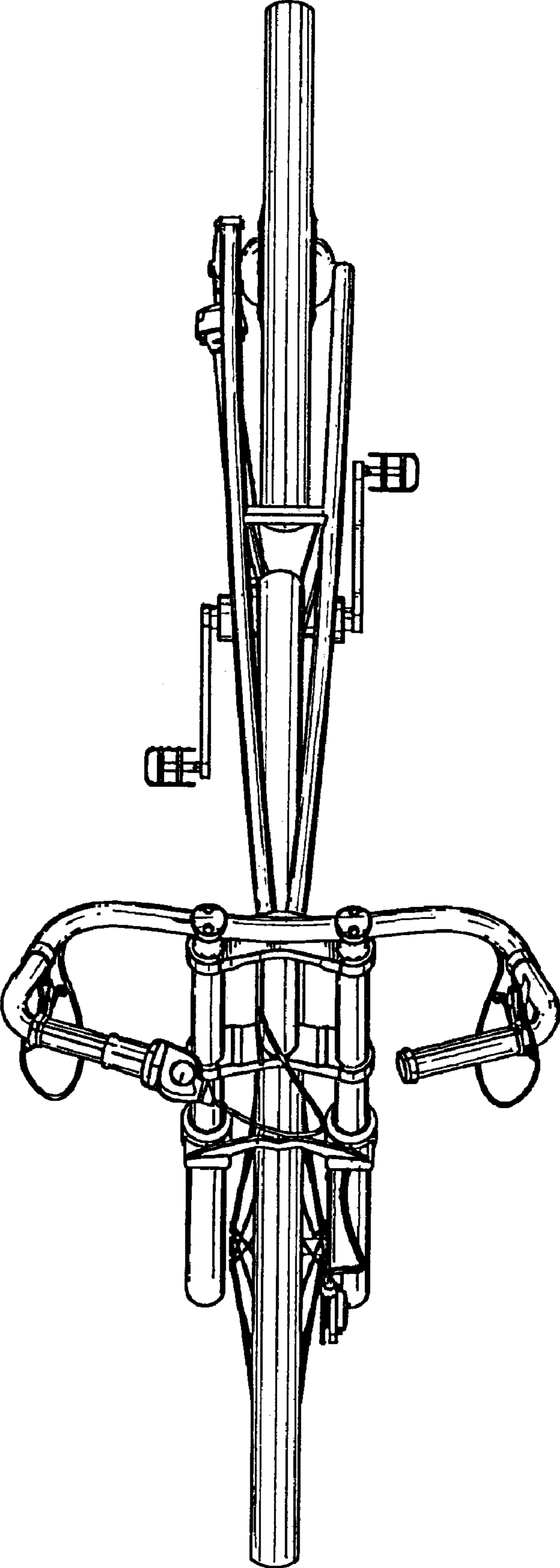


FIG. 3

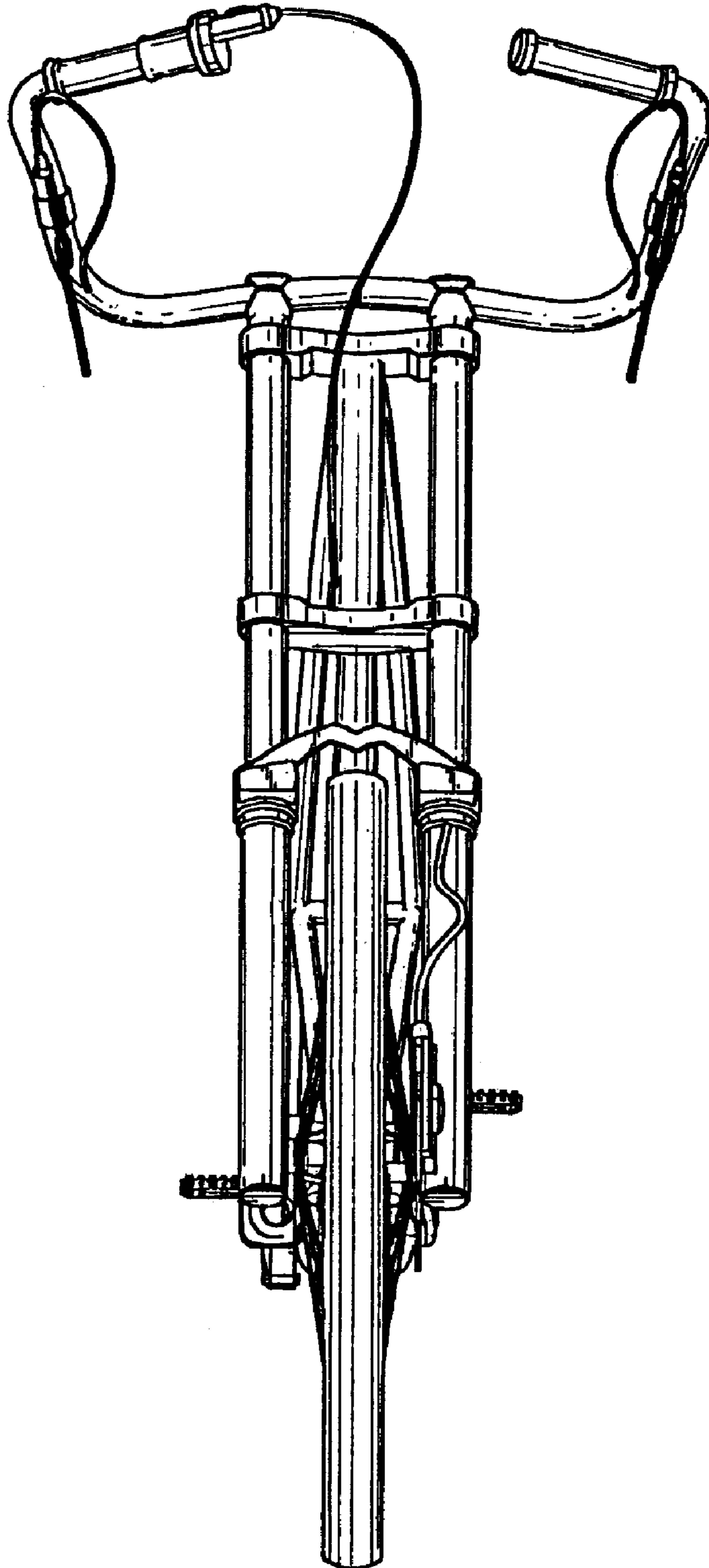


FIG. 4

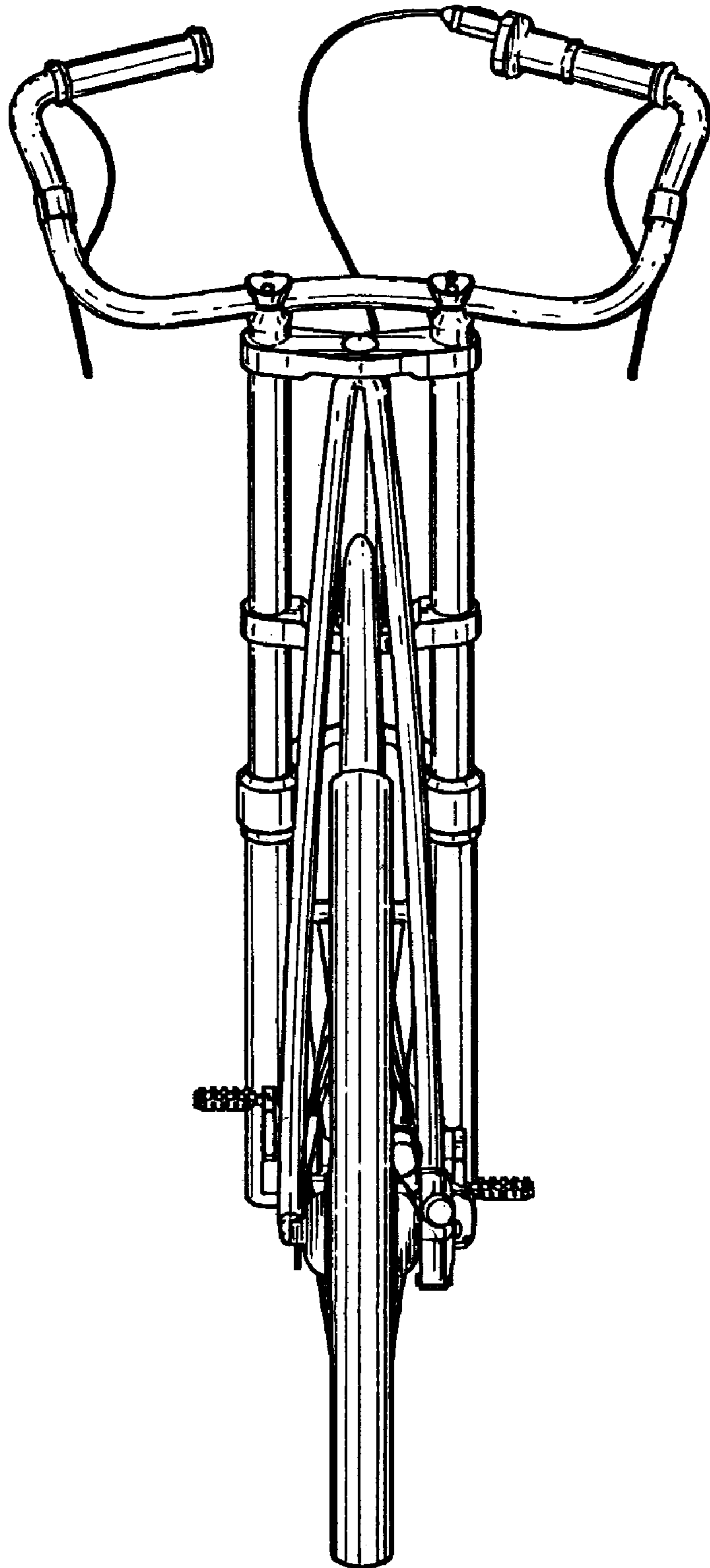
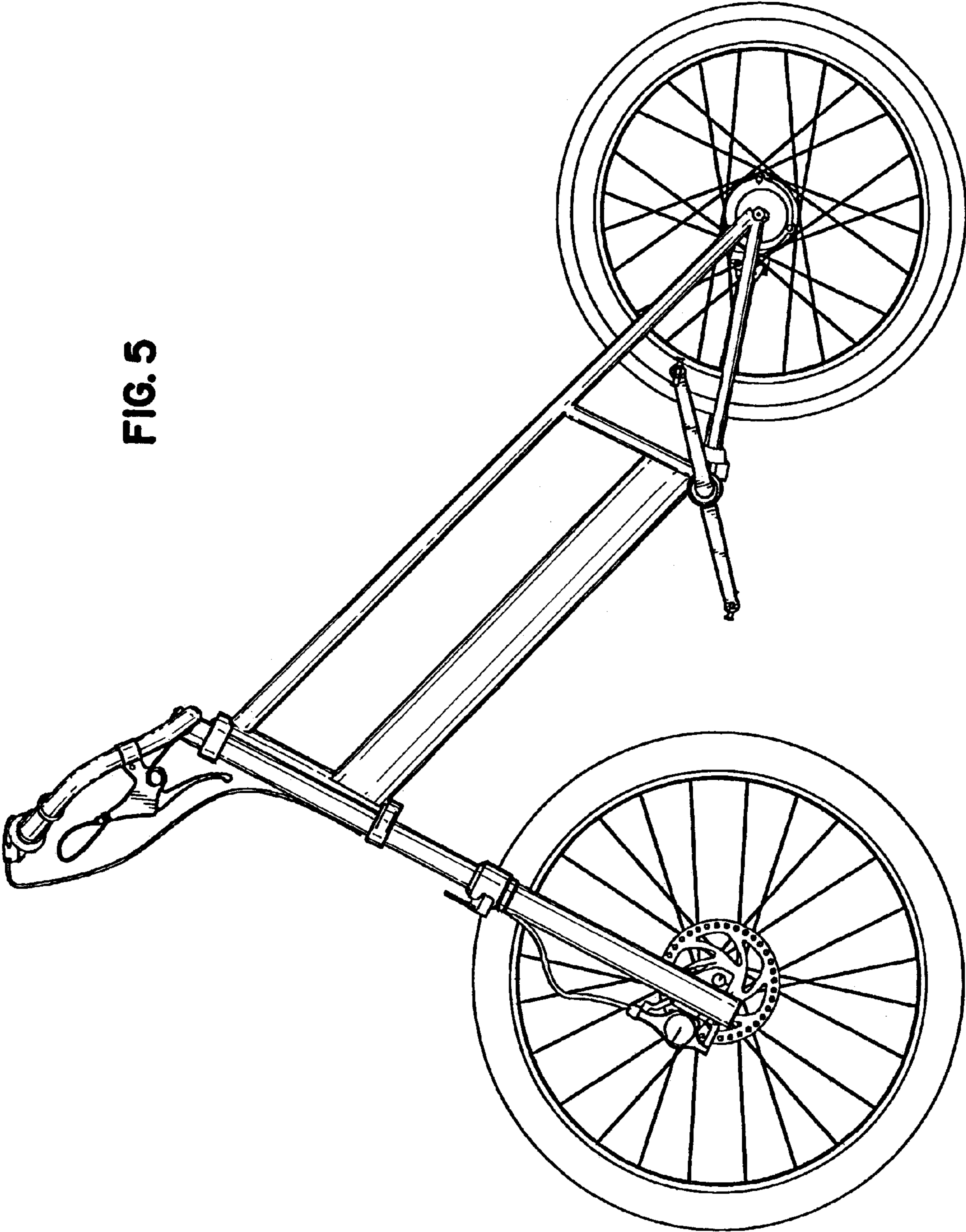


FIG. 5



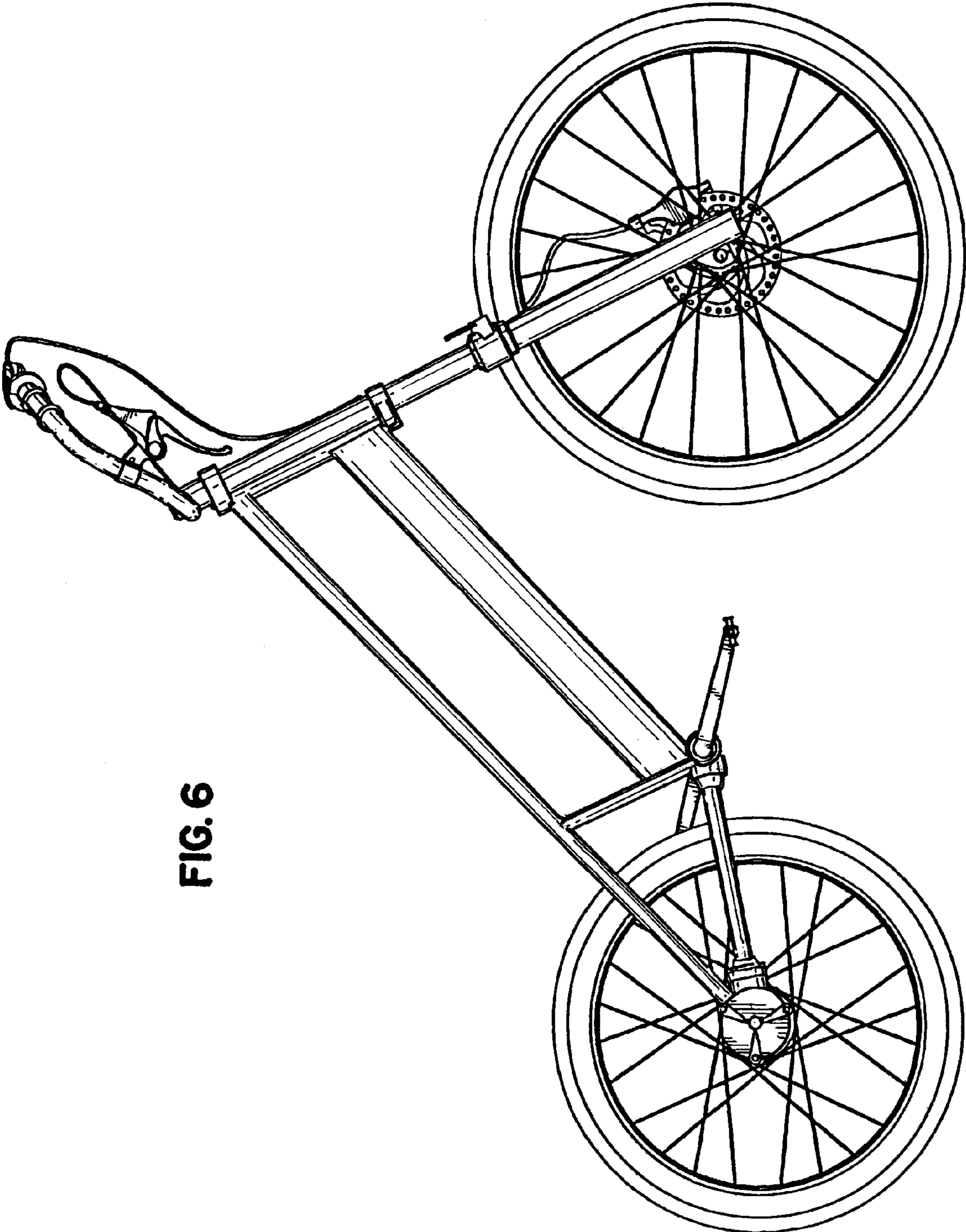


FIG. 6

FIG. 7

