



US00D556640S

(12) **United States Design Patent**
Wu

(10) **Patent No.:** **US D556,640 S**

(45) **Date of Patent:** **** Dec. 4, 2007**

(54) **MOTORCYCLE**

D443,849 S * 6/2001 Chen D12/110

(75) Inventor: **Sung-Yu Wu**, Kaohsiung (TW)

* cited by examiner

(73) Assignee: **Kwang Yang Motor Co., Ltd.**,
Kaohsiung (TW)

Primary Examiner—Cathron Brooks

Assistant Examiner—Linda Brooks

(74) *Attorney, Agent, or Firm*—Leong C. Lei

(**) Term: **14 Years**

(57) **CLAIM**

(21) Appl. No.: **29/275,275**

The ornamental design for a motorcycle, as shown and described.

(22) Filed: **Dec. 20, 2006**

(51) **LOC (8) Cl.** **12-11**

(52) **U.S. Cl.** **D12/110**

(58) **Field of Classification Search** D12/110;
180/219, 220, 225, 229

See application file for complete search history.

DESCRIPTION

(56) **References Cited**

U.S. PATENT DOCUMENTS

- D331,553 S * 12/1992 Agnolucci D12/110
- D341,341 S * 11/1993 Nakamura et al. D12/110
- D399,174 S * 10/1998 Takeshita et al. D12/110
- D427,944 S * 7/2000 Sakuma et al. D12/110

FIG. 1 is perspective view of a motorcycle showing my new design;

FIG. 2 is a front side elevation view thereof;

FIG. 3 is a rear side elevation view thereof;

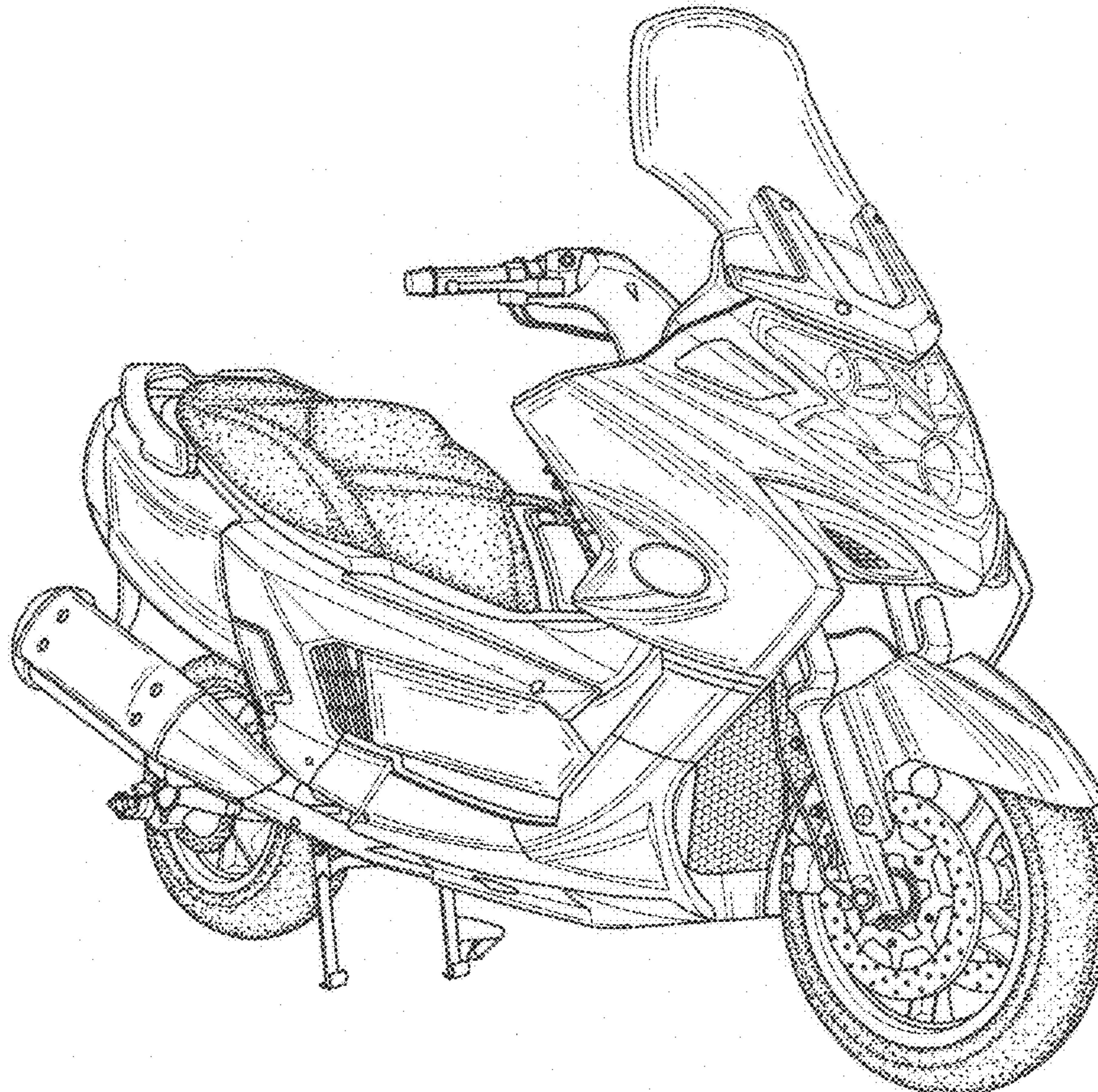
FIG. 4 is a left side elevation view thereof;

FIG. 5 is a right side elevation view thereof;

FIG. 6 is a top plan view thereof; and,

FIG. 7 is a bottom plan view thereof.

1 Claim, 6 Drawing Sheets



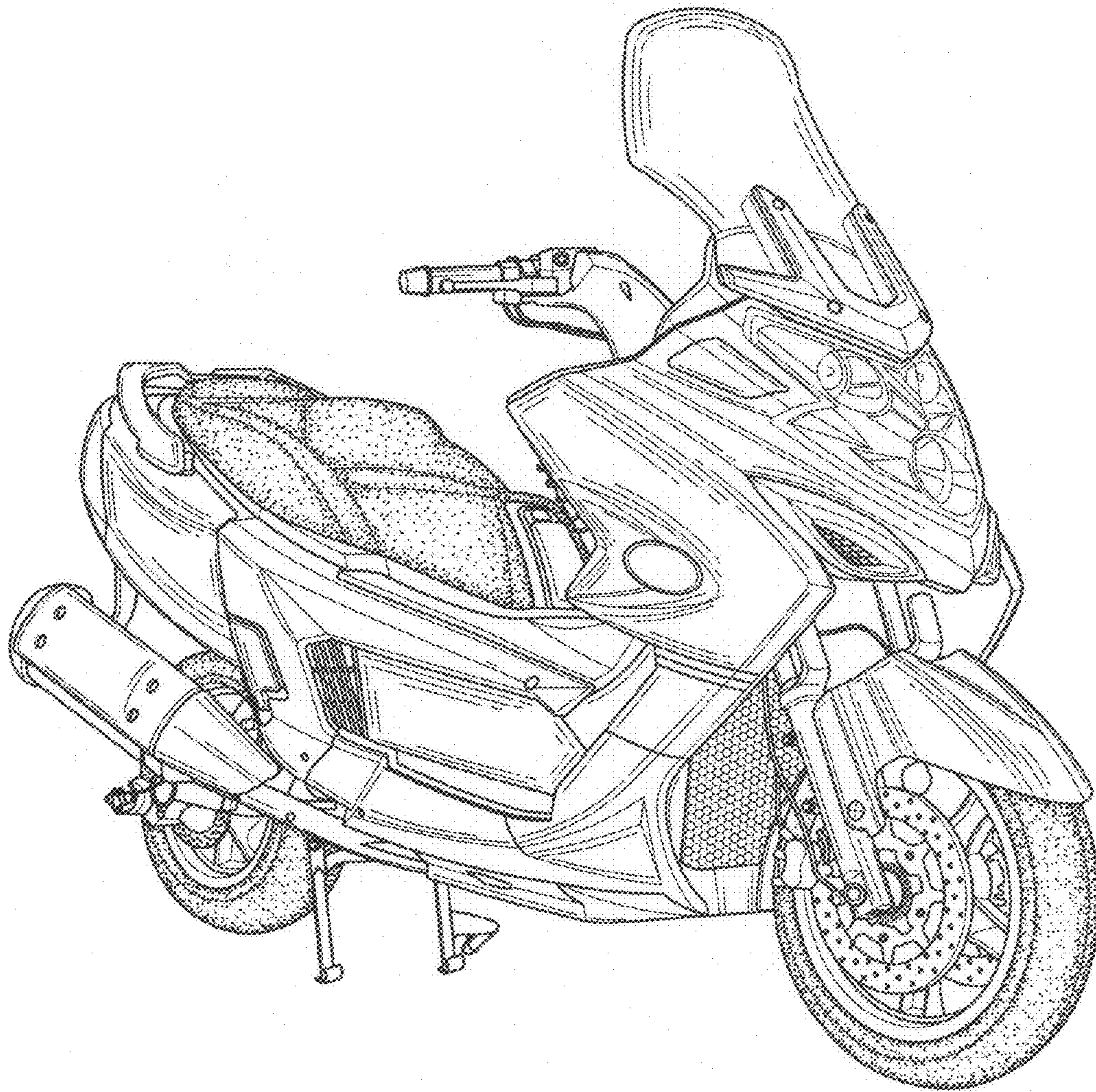


FIG.1

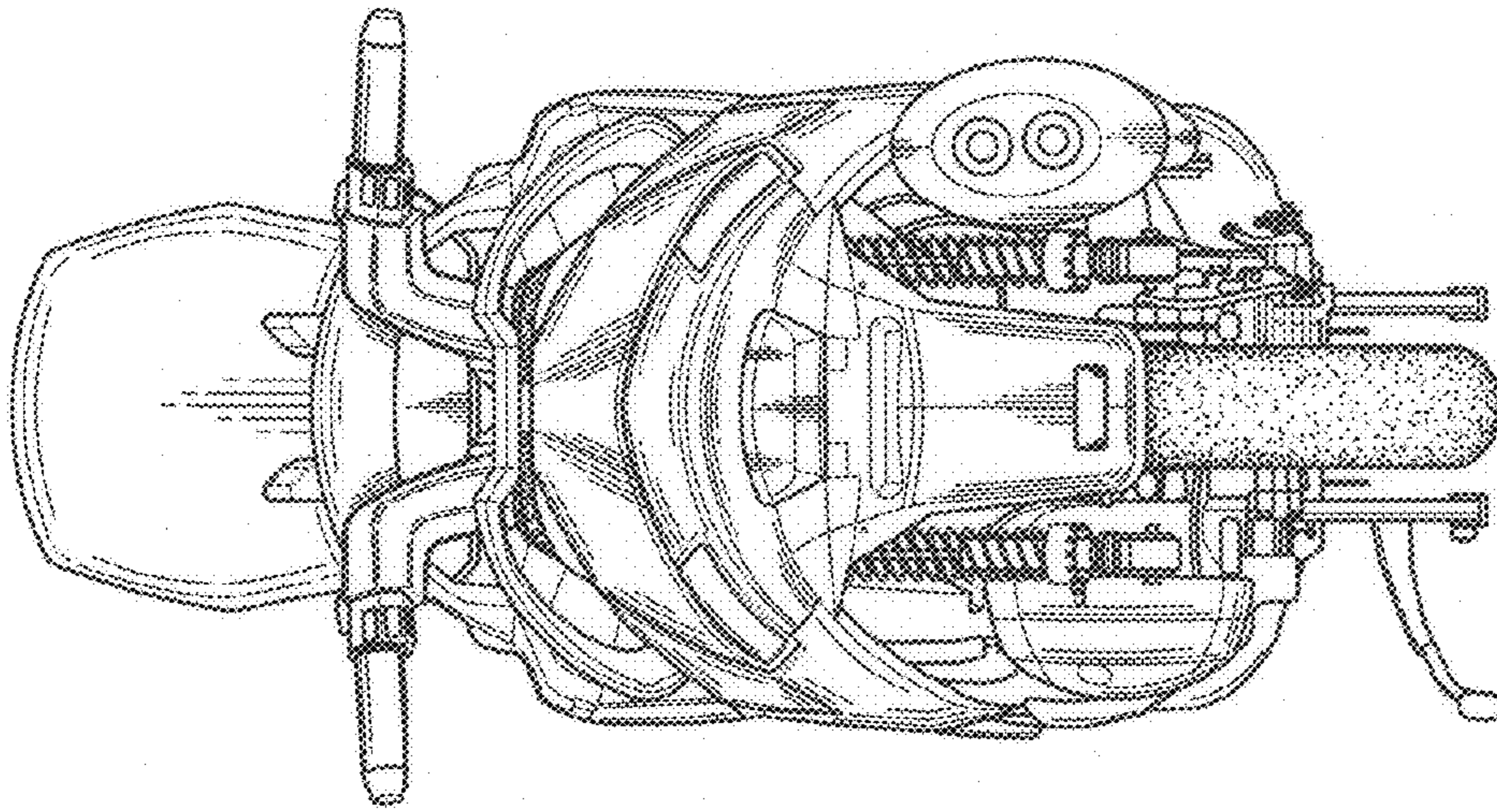


FIG.3

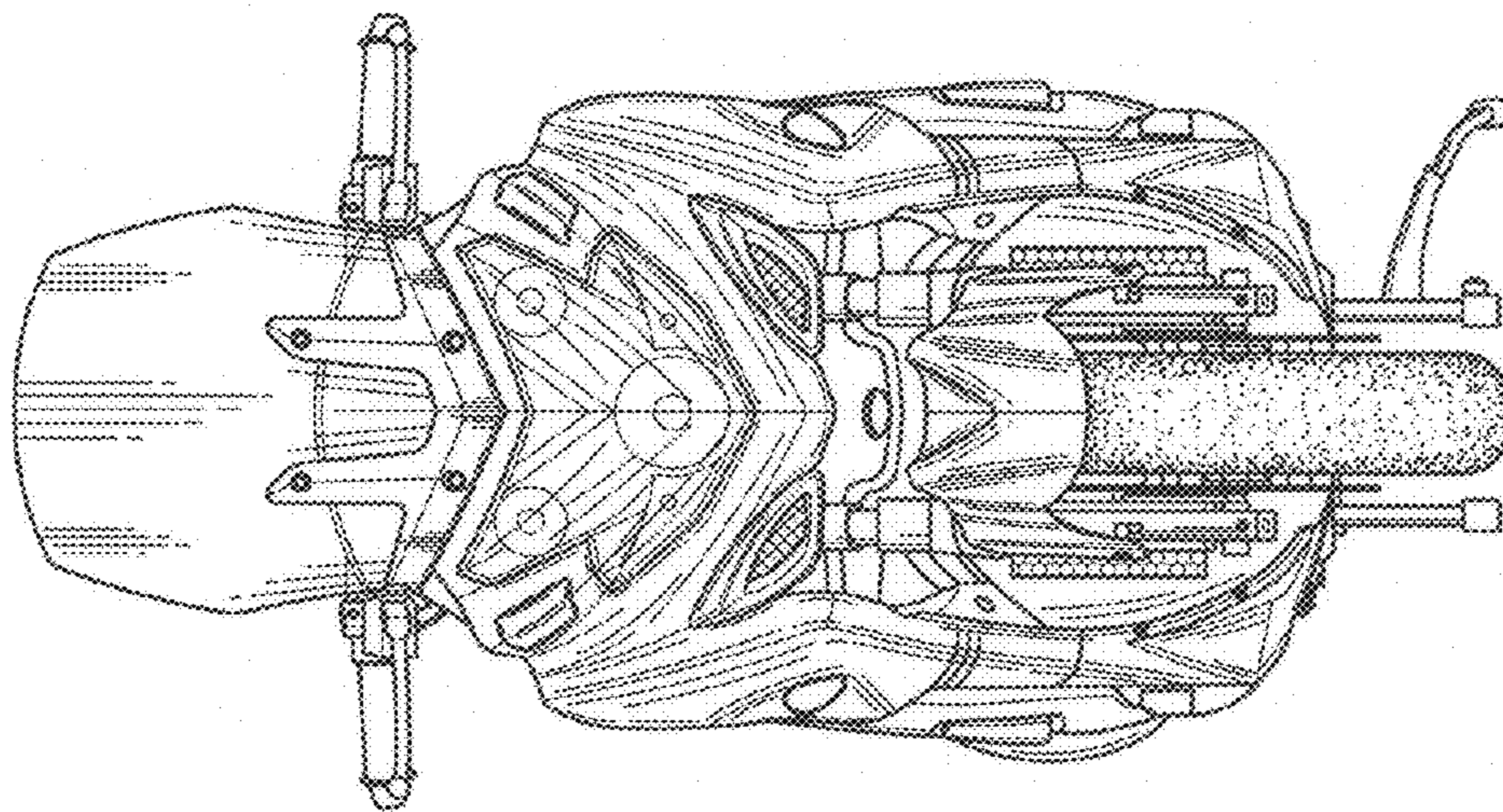


FIG.2

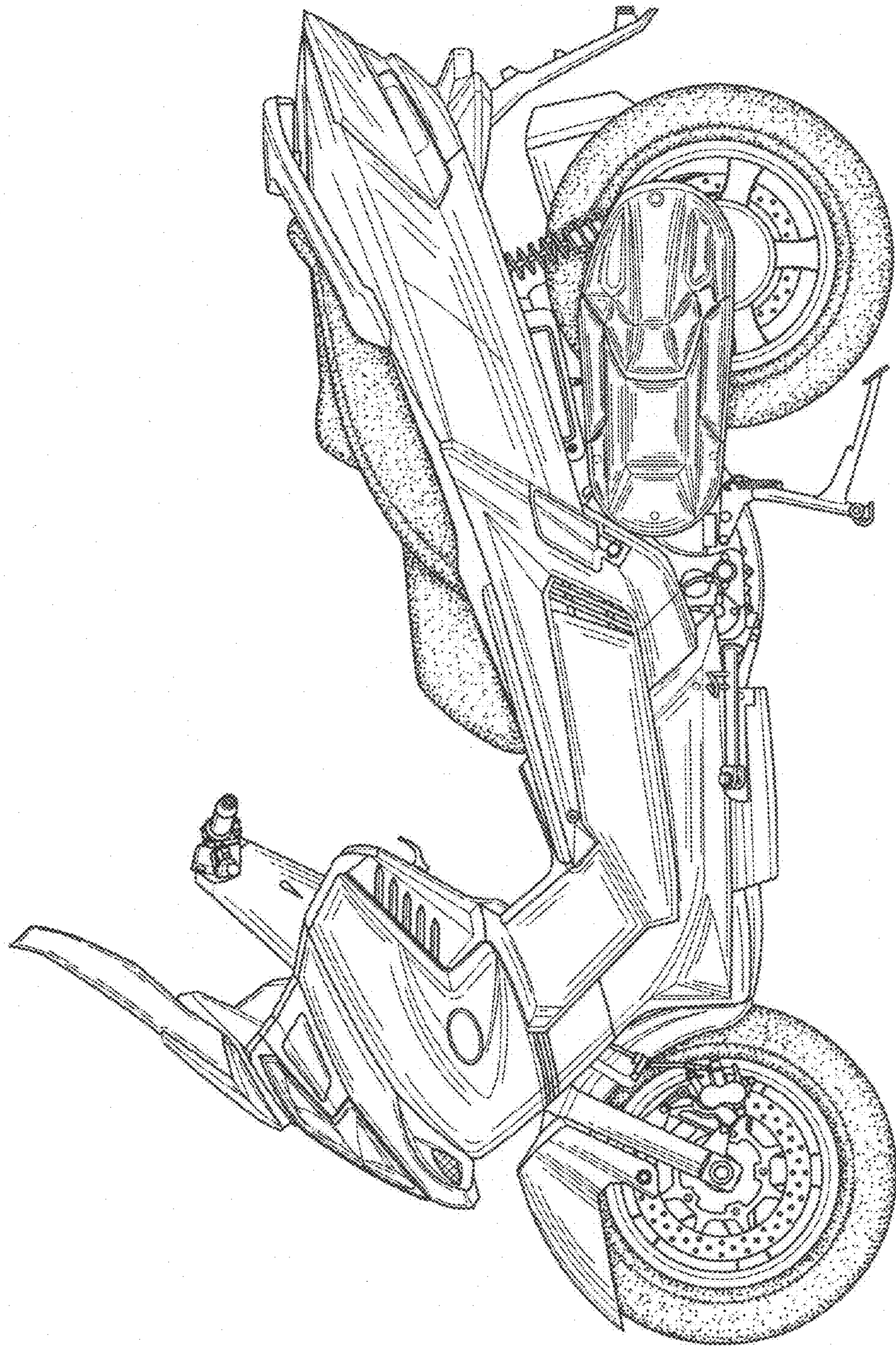


FIG.4

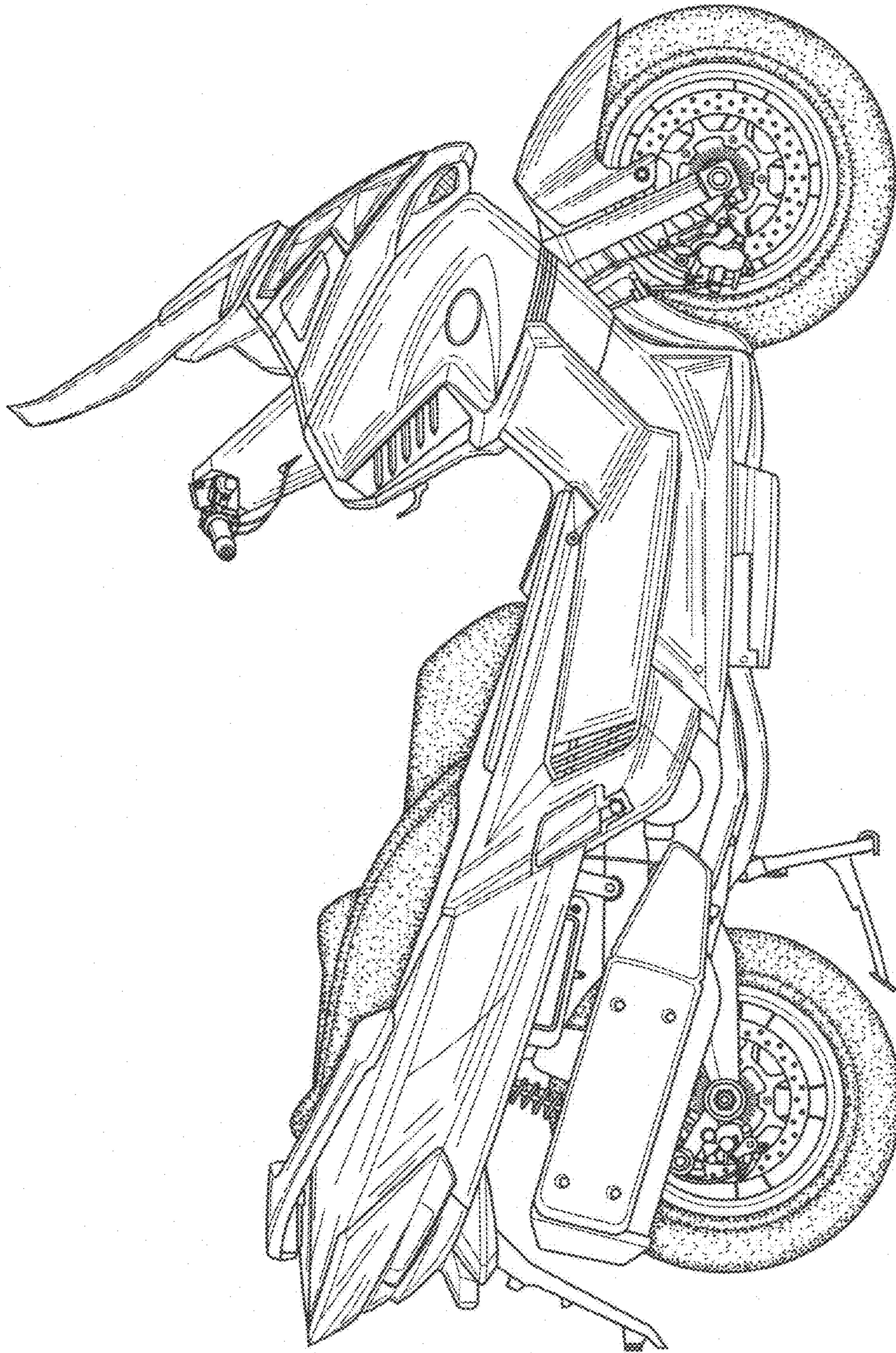


FIG. 5

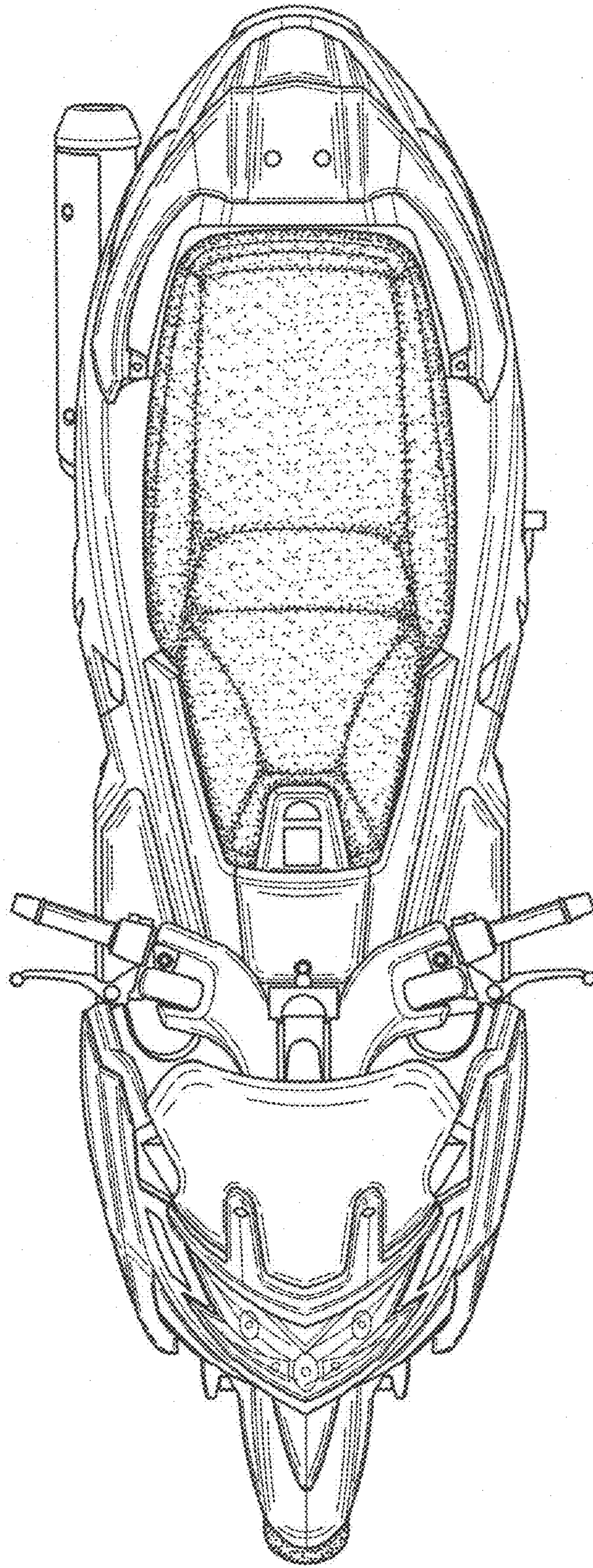


FIG.6

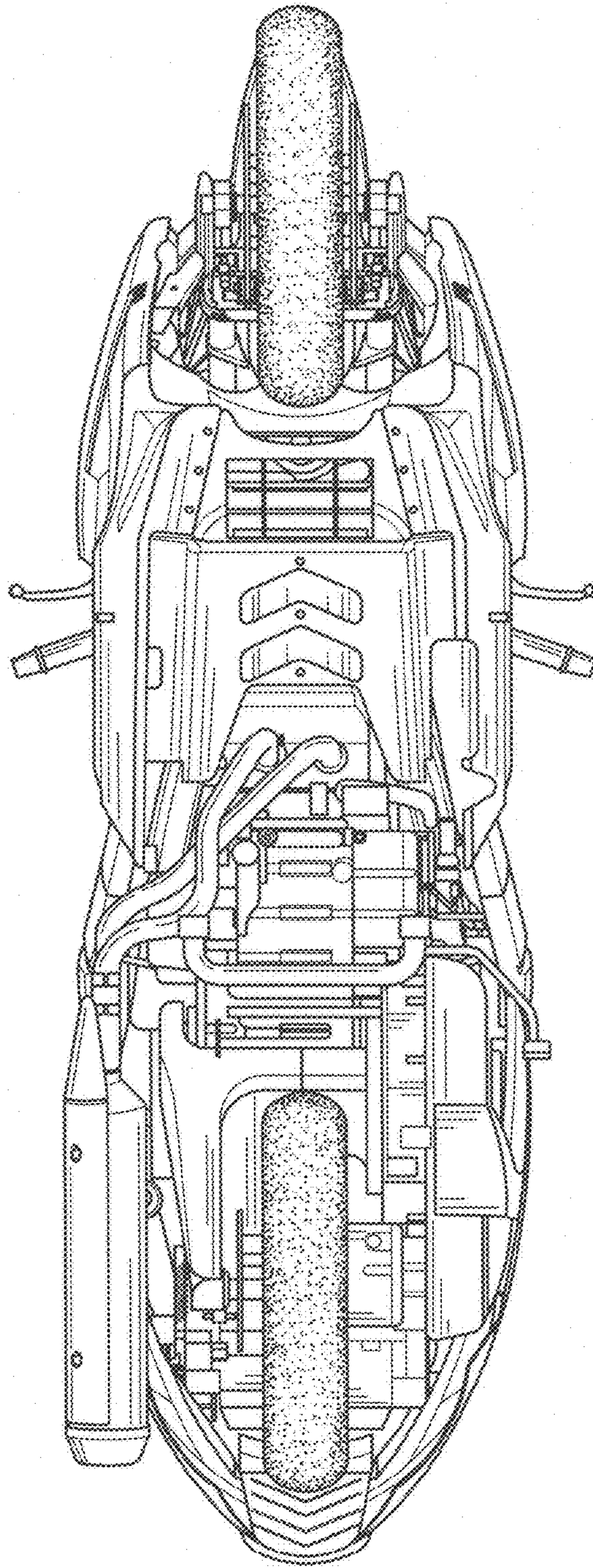


FIG. 7