



US00D556638S

(12) **United States Design Patent**
Sanderson

(10) **Patent No.:** **US D556,638 S**

(45) **Date of Patent:** **** Dec. 4, 2007**

(54) **SCOOTER**

D490,750 S * 6/2004 Hoshino D12/110
D514,987 S * 2/2006 Hsiao D12/110

(75) Inventor: **Francis Henry Sanderson, 7**
Thornthwaite Road, Preston PR4 0WJ
(GB)

* cited by examiner

(73) Assignees: **Paul Melici**, Hest Bank, Lancaster
(GB); **Francis Henry Sanderson**,
Preston (GB)

Primary Examiner—Alan P. Douglas
Assistant Examiner—Linda Brooks
(74) *Attorney, Agent, or Firm*—Victor A. Cardona, Esq.;
Heslin Rothenberg Farley & Mesiti, P.C.

(**) Term: **14 Years**

(57) **CLAIM**

(21) Appl. No.: **29/227,546**

The ornamental design for the scooter, as shown and described.

(22) Filed: **Apr. 13, 2005**

DESCRIPTION

(30) **Foreign Application Priority Data**

Oct. 22, 2004 (EM) 000245634-0001
Oct. 22, 2004 (EM) 000245634-0002

FIG. 1 is a top elevational view of the scooter comprising my new design;

FIG. 2 is an enlarged top elevational view of FIG. 1;

FIG. 3 is a side elevational view of FIG. 1;

(51) **LOC (8) Cl.** **12-11**

(52) **U.S. Cl.** **D12/110**

(58) **Field of Classification Search** D12/110;
180/219, 220

FIG. 4 is a top elevational view of a second embodiment of the scooter;

FIG. 5 is an enlarged top elevational view of the scooter of FIG. 4; and,

See application file for complete search history.

FIG. 6 is a side elevational view of FIG. 4.

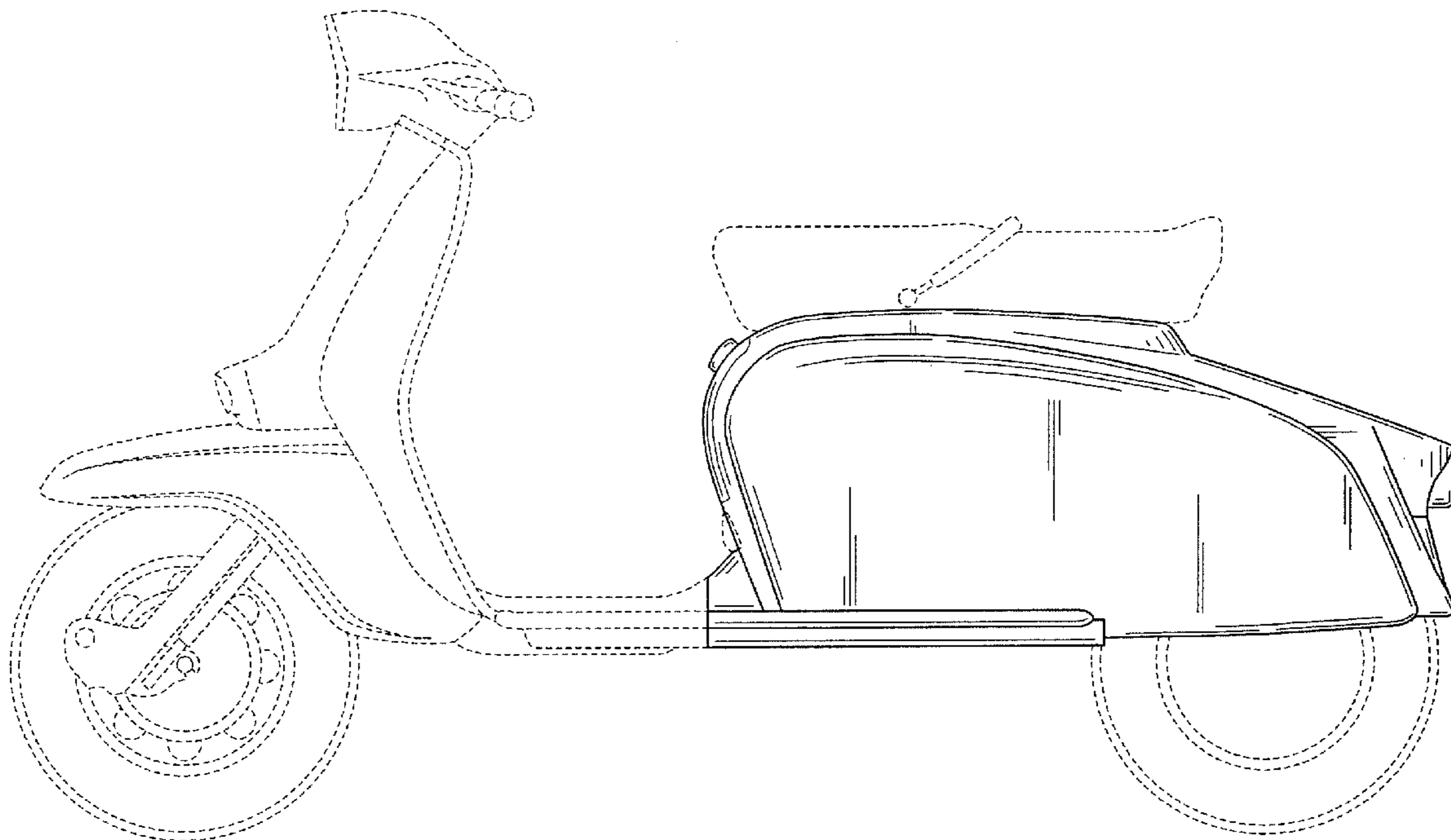
(56) **References Cited**

The broken lines in the drawings figures are for illustrative purposes only and form no part of the claimed design.

U.S. PATENT DOCUMENTS

D270,436 S * 9/1983 Gaddi D12/110

1 Claim, 6 Drawing Sheets



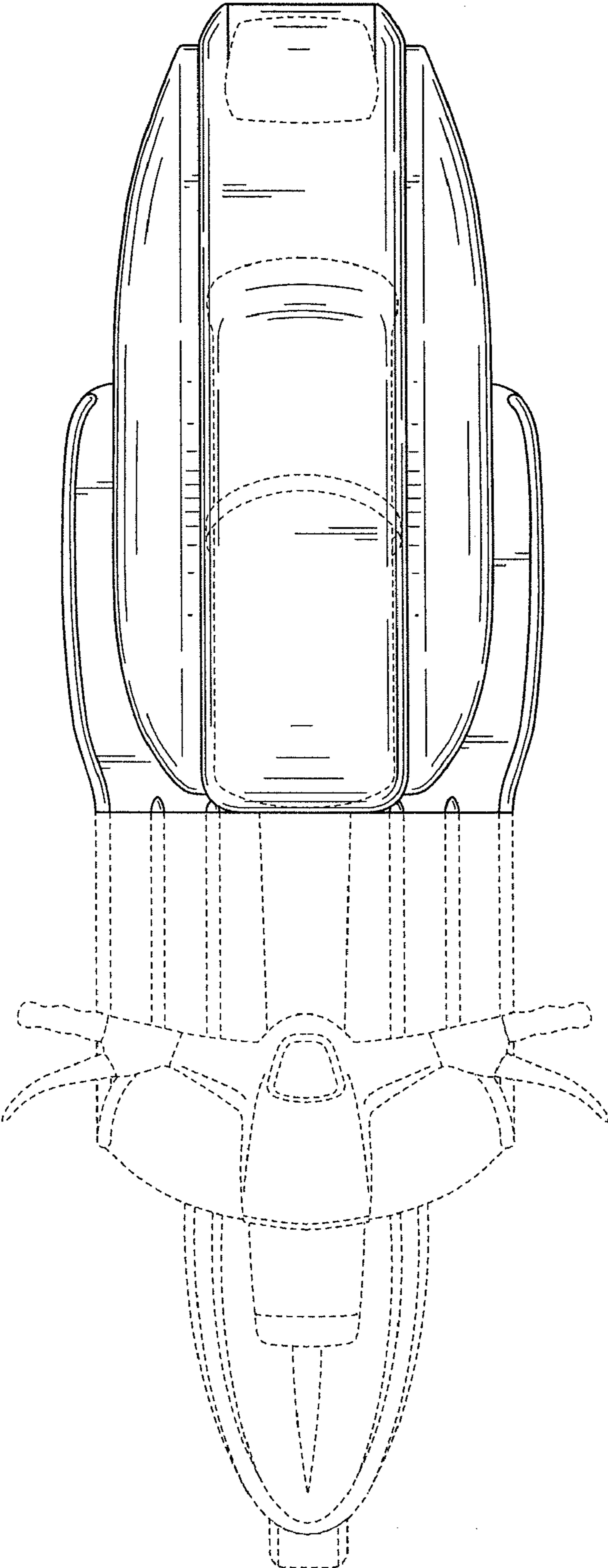


FIG. 1

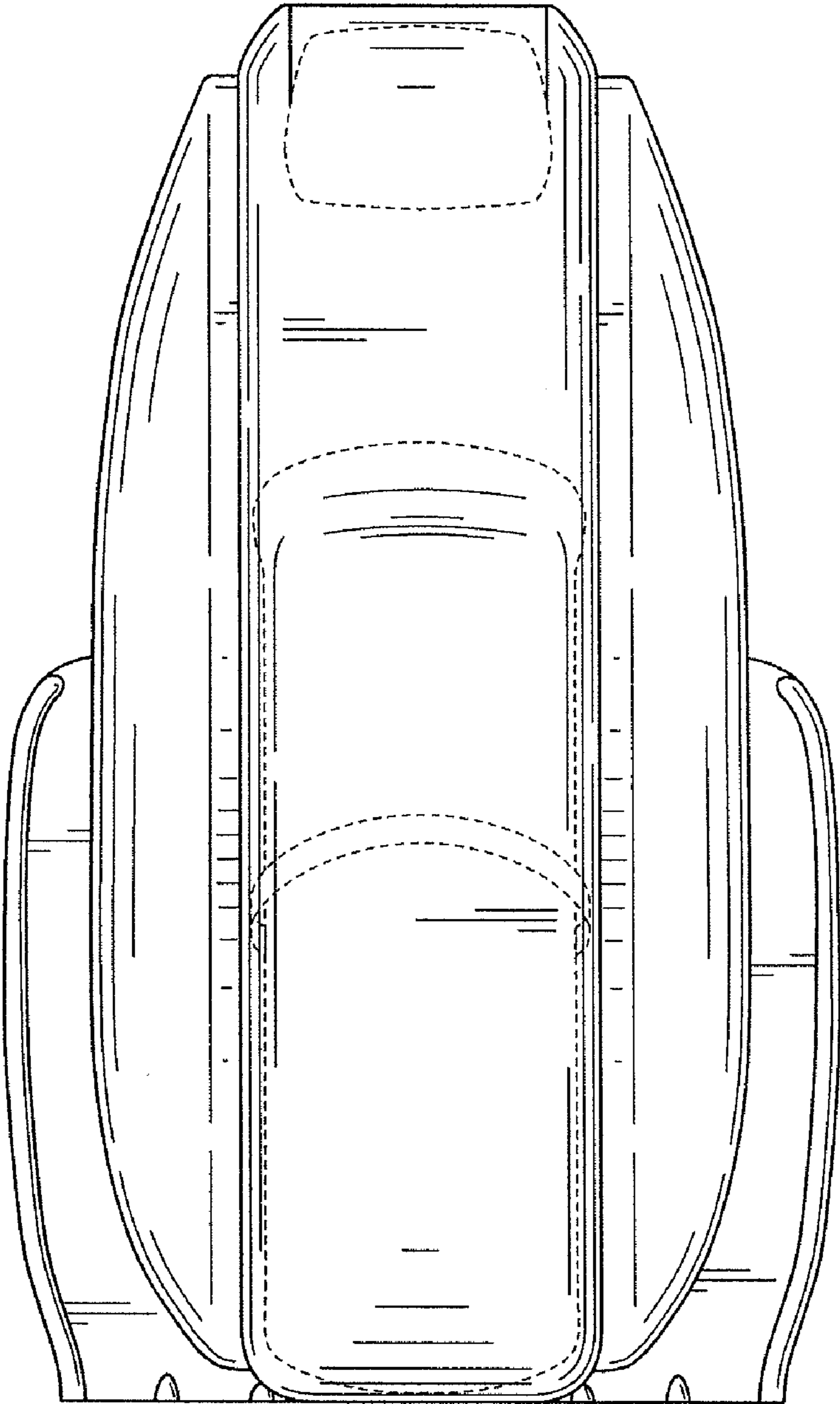


FIG. 2

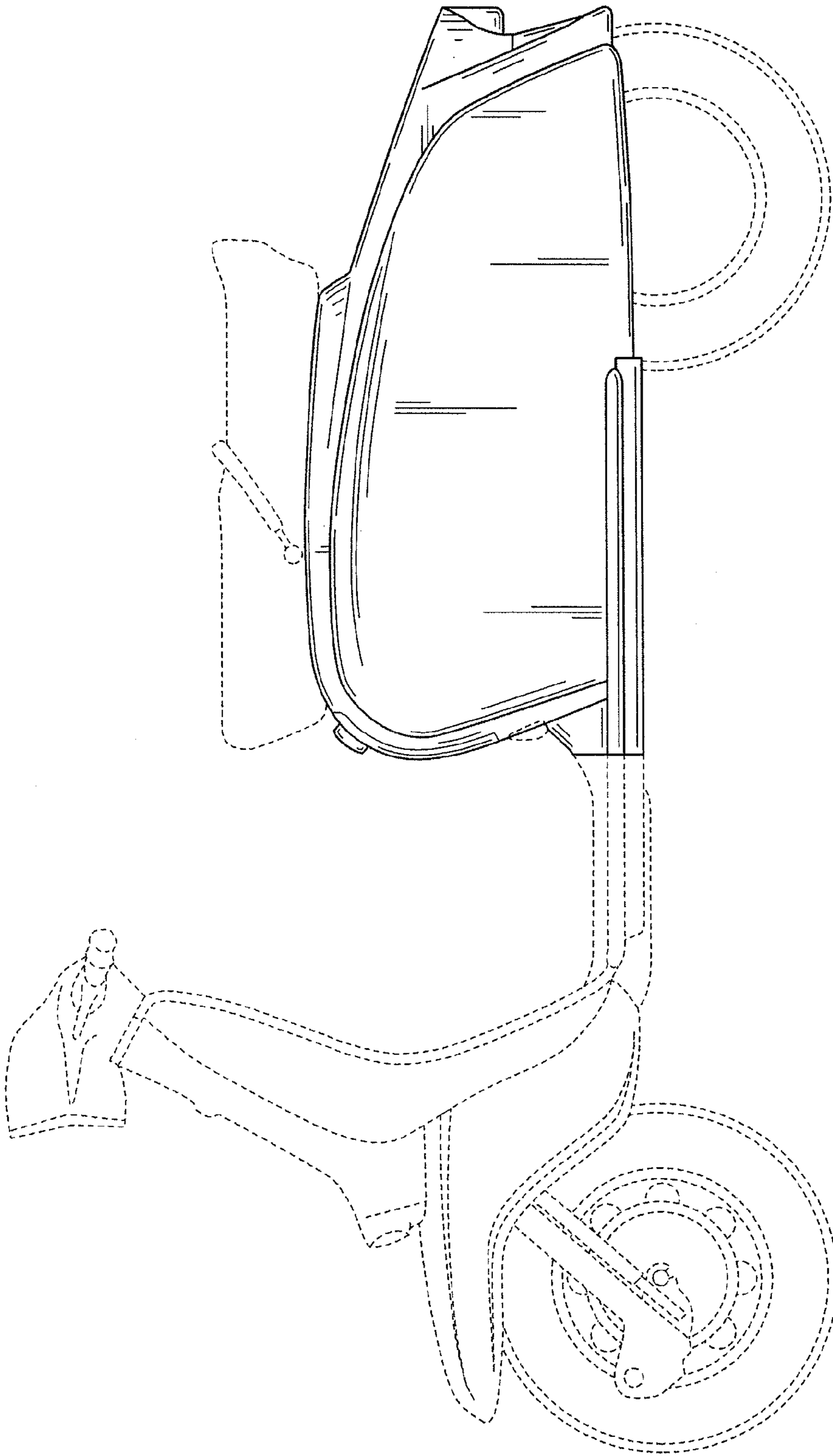


FIG. 3

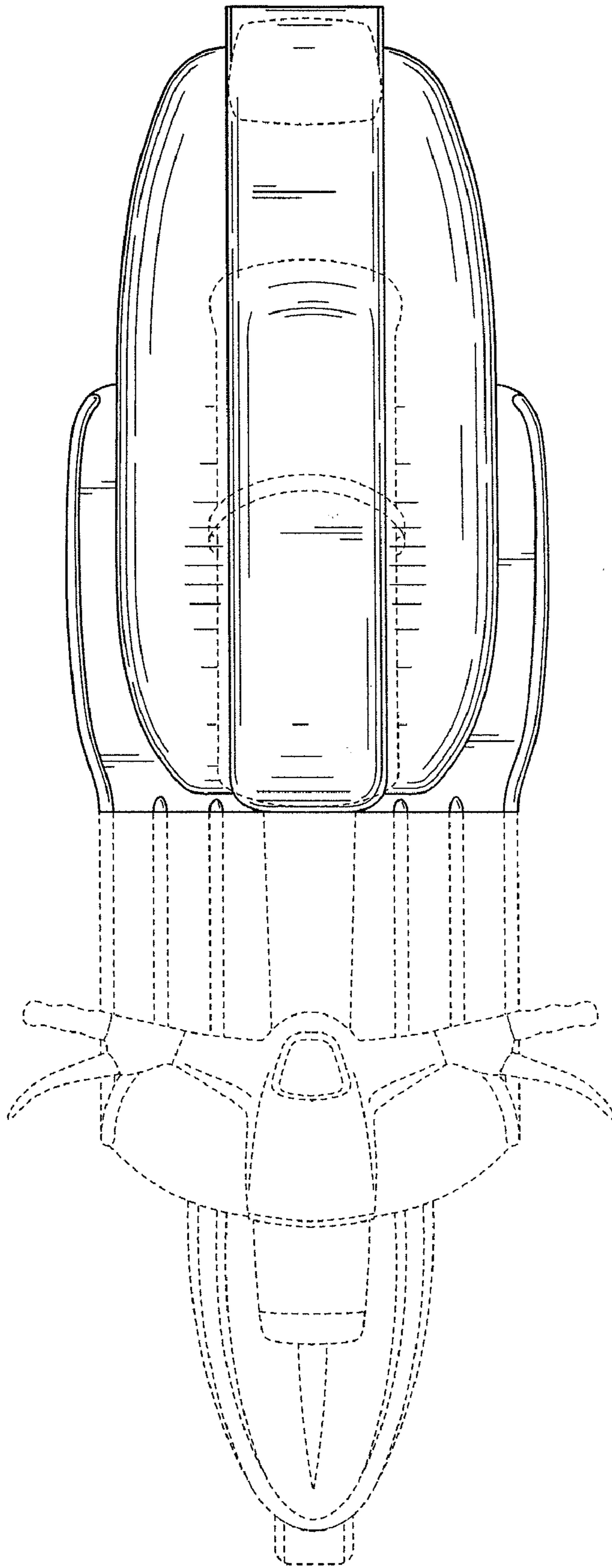


FIG. 4

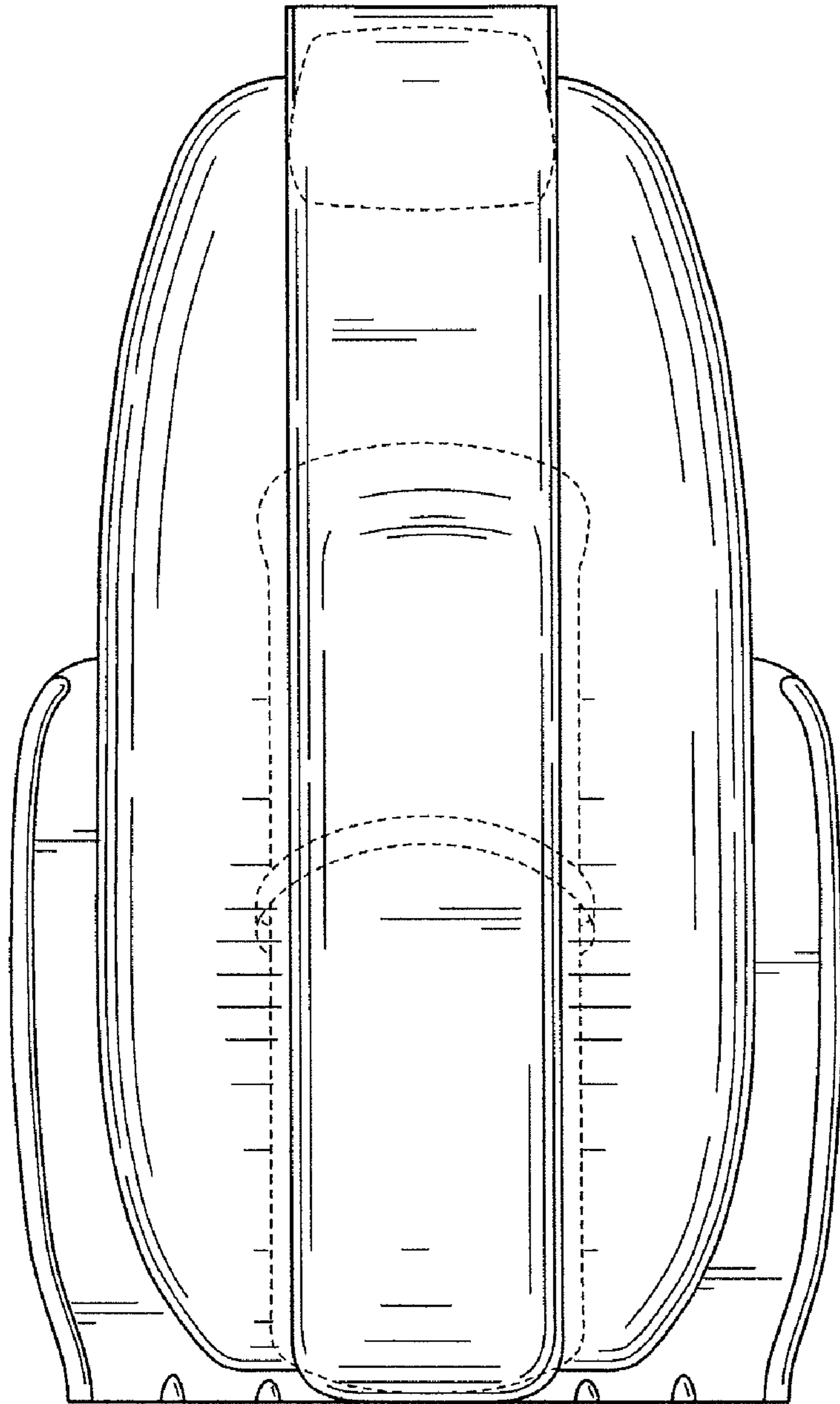


FIG. 5

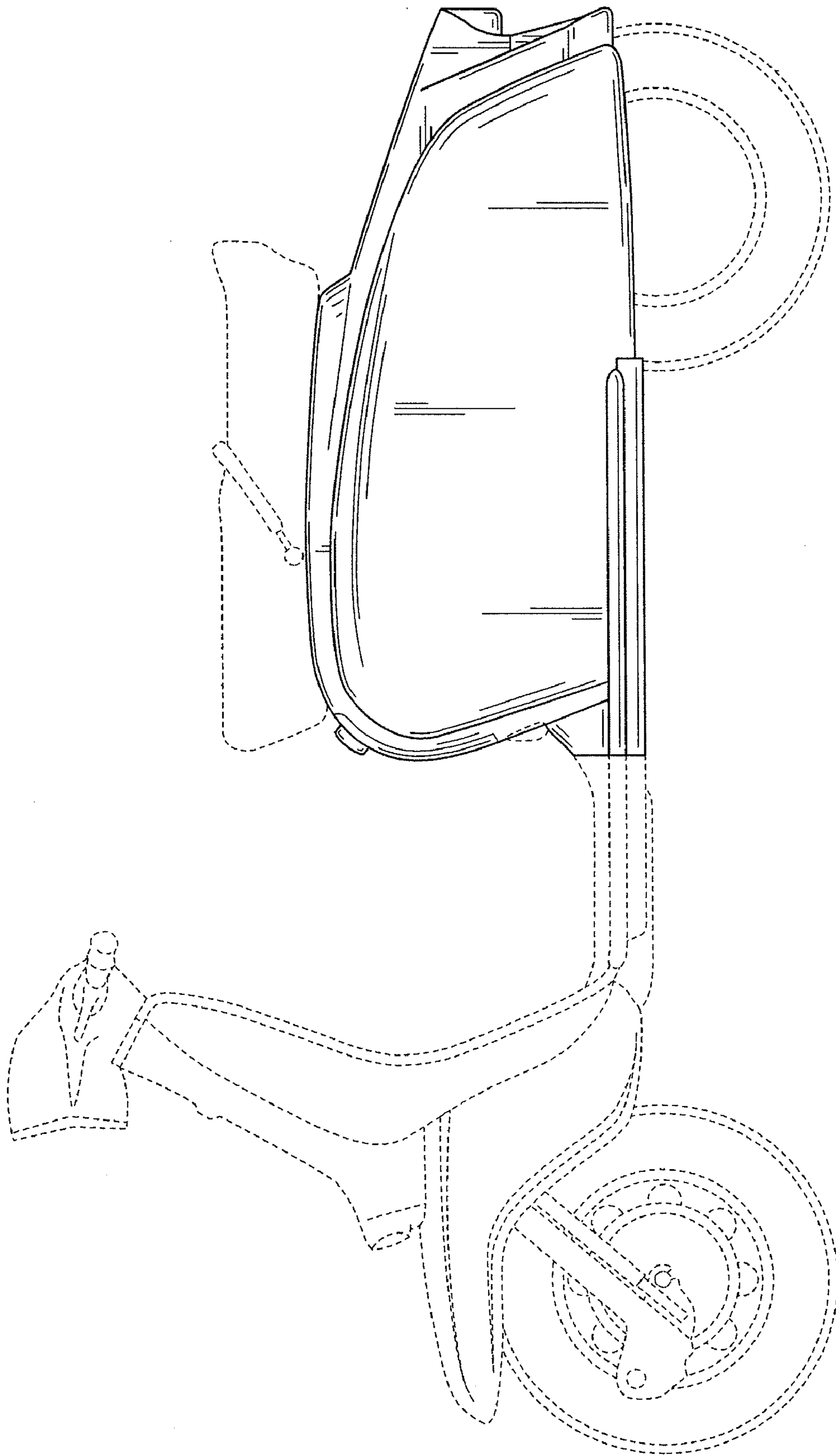


FIG. 6