



US00D556635S

(12) **United States Design Patent** (10) **Patent No.:** **US D556,635 S**  
**Pfeiffer** (45) **Date of Patent:** **\*\* Dec. 4, 2007**

(54) **SURFACE CONFIGURATION OF A VEHICLE, TOY, AND/OR OTHER REPLICAS**

(75) Inventor: **Peter Pfeiffer**, Boeblingen (DE)  
(73) Assignee: **DaimlerChrysler AG**, Stuttgart (DE)  
(\*\*) Term: **14 Years**  
(21) Appl. No.: **29/274,913**  
(22) Filed: **Jun. 6, 2007**

**Related U.S. Application Data**

(62) Division of application No. 29/225,823, filed on Mar. 22, 2005, now Pat. No. Des. 550,122.

(30) **Foreign Application Priority Data**

Sep. 22, 2004 (DE) ..... 40405376  
Sep. 22, 2004 (DE) ..... 40405377  
Sep. 22, 2004 (DE) ..... 40405379  
Sep. 22, 2004 (DE) ..... 40405380  
Sep. 22, 2004 (DE) ..... 40405381  
Sep. 22, 2004 (DE) ..... 40405382

(51) **LOC (8) Cl.** ..... **12-08**  
(52) **U.S. Cl.** ..... **D12/91**  
(58) **Field of Classification Search** ..... D12/90–92,  
D12/86; 296/181.1, 181.5  
See application file for complete search history.

(56) **References Cited**

**U.S. PATENT DOCUMENTS**

D441,691 S \* 5/2001 Pfeiffer et al. .... D12/90  
(Continued)

*Primary Examiner*—Melody N. Brown  
(74) *Attorney, Agent, or Firm*—Crowell & Moring LLP

(57) **CLAIM**

The ornamental design for a surface configuration of a vehicle, toy, and/or other replicas, as shown and described.

**DESCRIPTION**

This application is related to the following co-pending applications, of the inventor:

Application Ser. No. 29/274,912, entitled “Surface Configuration of a Vehicle, Toy, and/or Other Replicas”;

Application Ser. No. 29/274,915, entitled “Surface Configuration of a Vehicle, Toy, and/or Other Replicas”;

Application Ser. No. 29/274,914, entitled “Surface Configuration of a Vehicle, Toy, and/or Other Replicas”;

Application Ser. No. 29/225,802, entitled “Surface Configuration of a Vehicle, Toy, and/or Other Replicas”;

Application Ser. No. 29/225,843, entitled “Surface Configuration of a Vehicle, Toy, and/or Other Replicas”; and

Application Ser. No. 29/225,812, entitled “Surface Configuration of a Headlight for a Vehicle”, now U.S. Pat. No. D536,112.

FIG. 1 is a left, front perspective view of a first embodiment of a surface configuration of a vehicle, toy, and/or other replicas according to my novel design, the right, front perspective view being mirror symmetrical;

FIG. 2 is a left, rear perspective view thereof, the right, rear perspective view being mirror symmetrical;

FIG. 3 is a left side view thereof, the right side view being mirror symmetrical;

FIG. 4 is a front view thereof;

FIG. 5 is a rear view thereof; and

FIG. 6 is a top view thereof.

FIG. 7 is a left, front perspective view of a second embodiment of the surface configuration of a vehicle, toy, and/or other replicas according to my novel design, the right, front perspective view being mirror symmetrical;

FIG. 8 is a left, rear perspective view of FIG. 7, the right, rear perspective view being mirror symmetrical;

FIG. 9 is a left side view of FIG. 7, the right side view being mirror symmetrical;

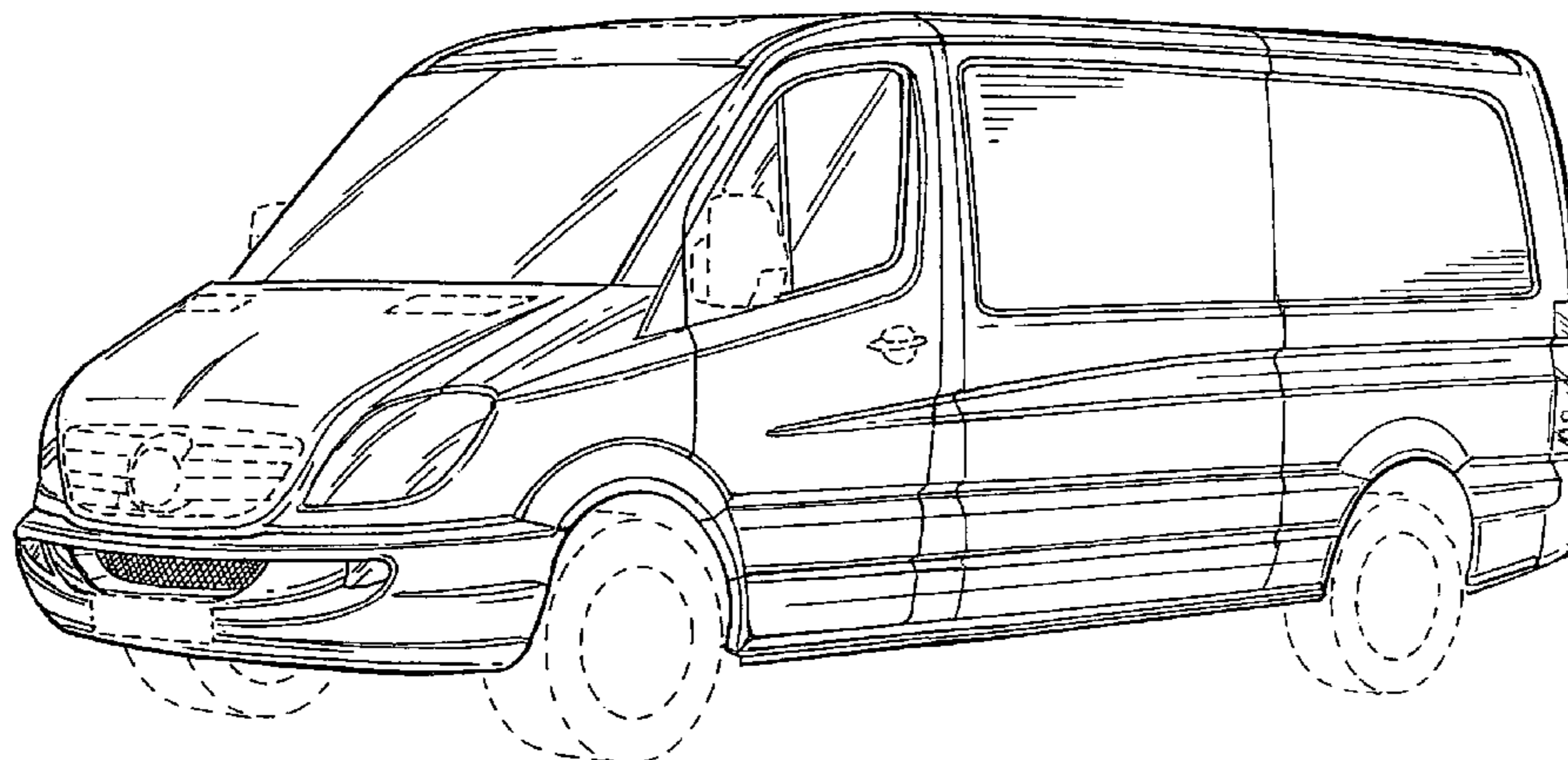
FIG. 10 is a front view of FIG. 7;

FIG. 11 is a rear view of FIG. 7; and,

FIG. 12 is a top view of FIG. 7.

The broken lines are for illustrative purposes only and form no part of the claimed design.

**1 Claim, 10 Drawing Sheets**



# US D556,635 S

Page 2

---

## U.S. PATENT DOCUMENTS

D472,186 S *	3/2003	Pfeiffer et al. ....	D12/91	D505,095 S *	5/2005	Frye .....	D12/91
D495,975 S *	9/2004	Pfeiffer .....	D12/91	D511,716 S *	11/2005	Pfeiffer .....	D12/91
D496,607 S *	9/2004	Pfeiffer .....	D12/91	D539,190 S *	3/2007	Brown et al. ....	D12/91

\* cited by examiner

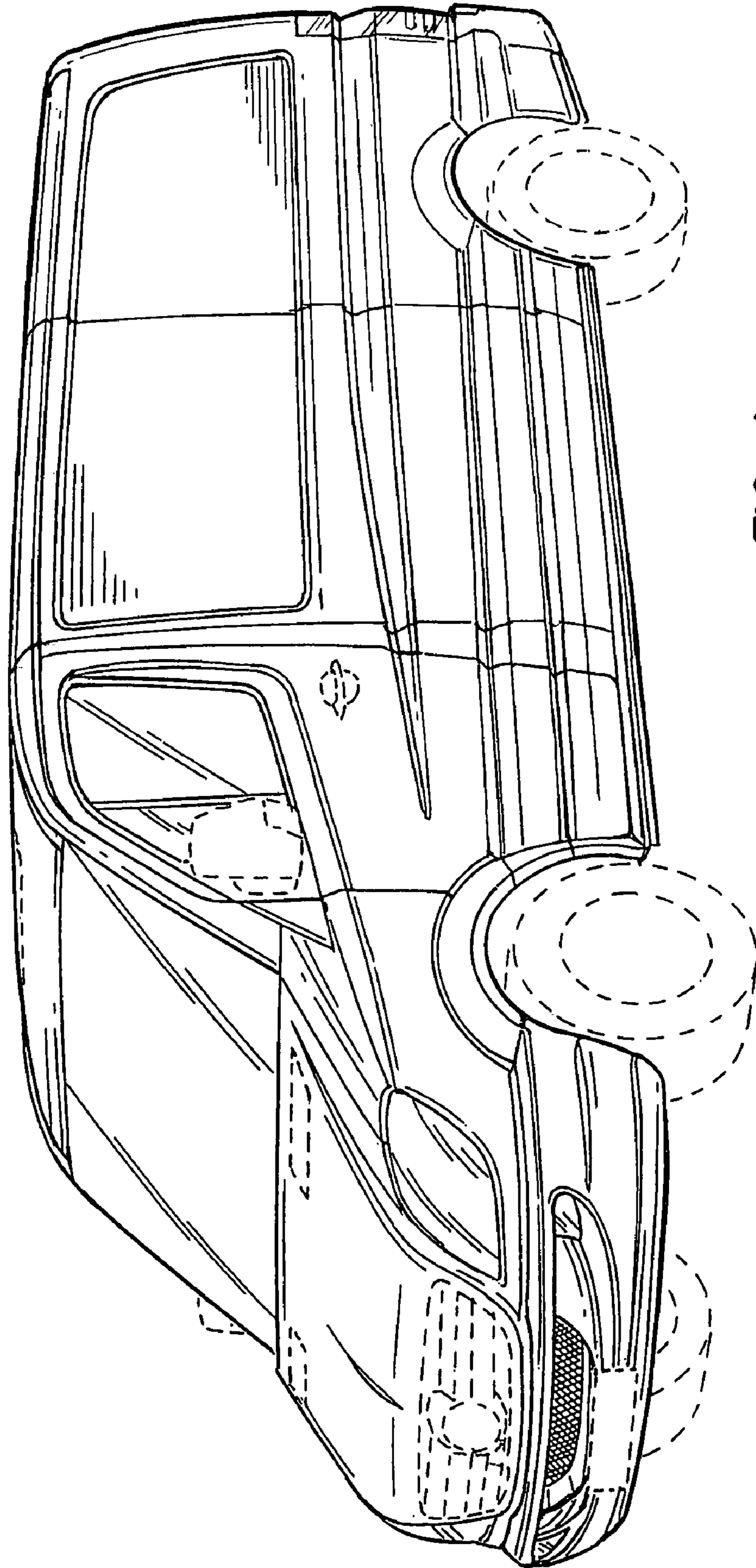


FIG. 1

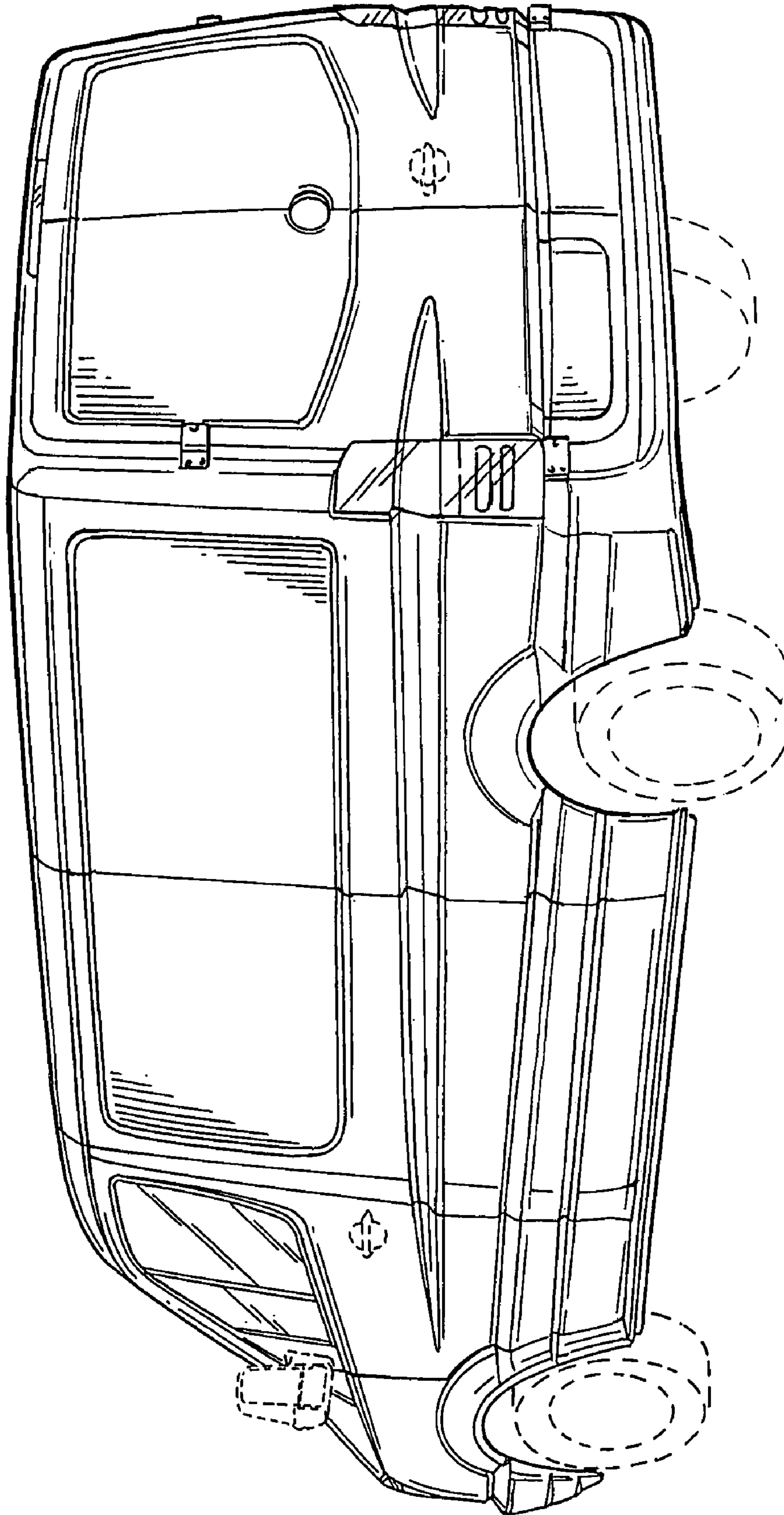


FIG. 2

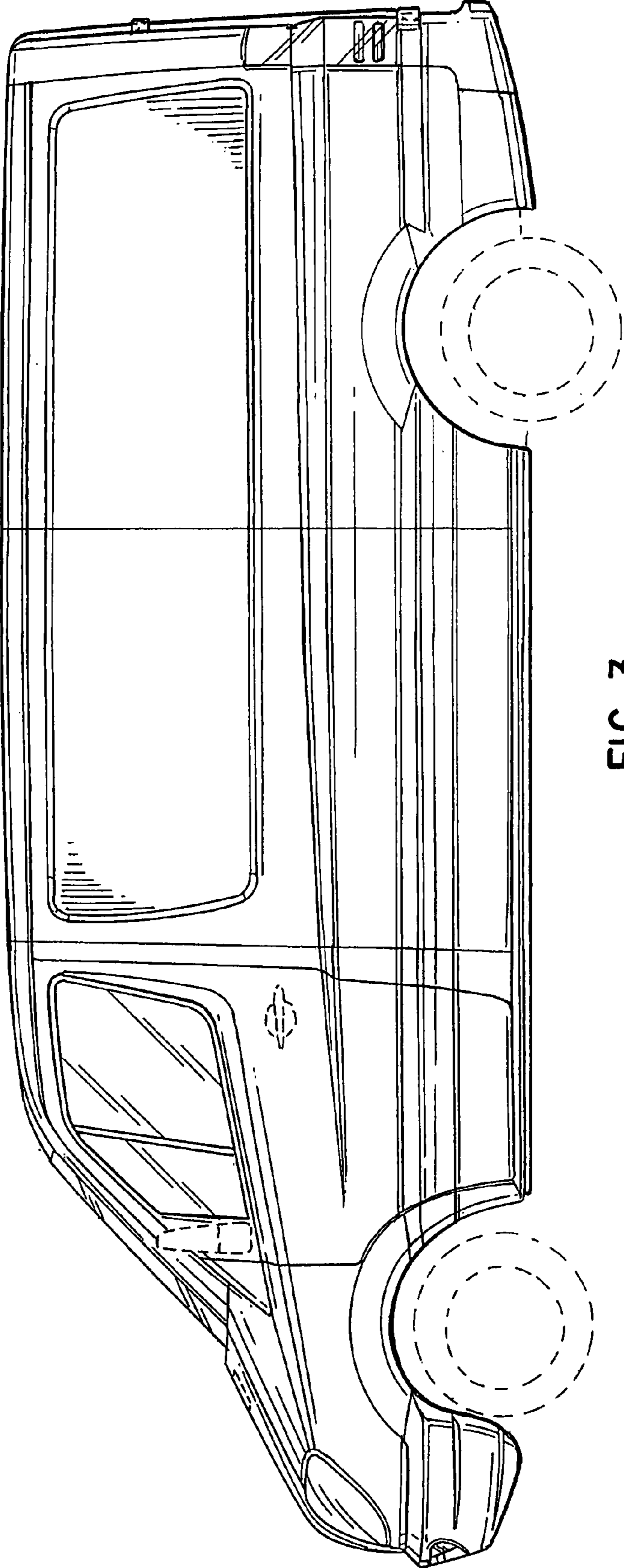


FIG. 3

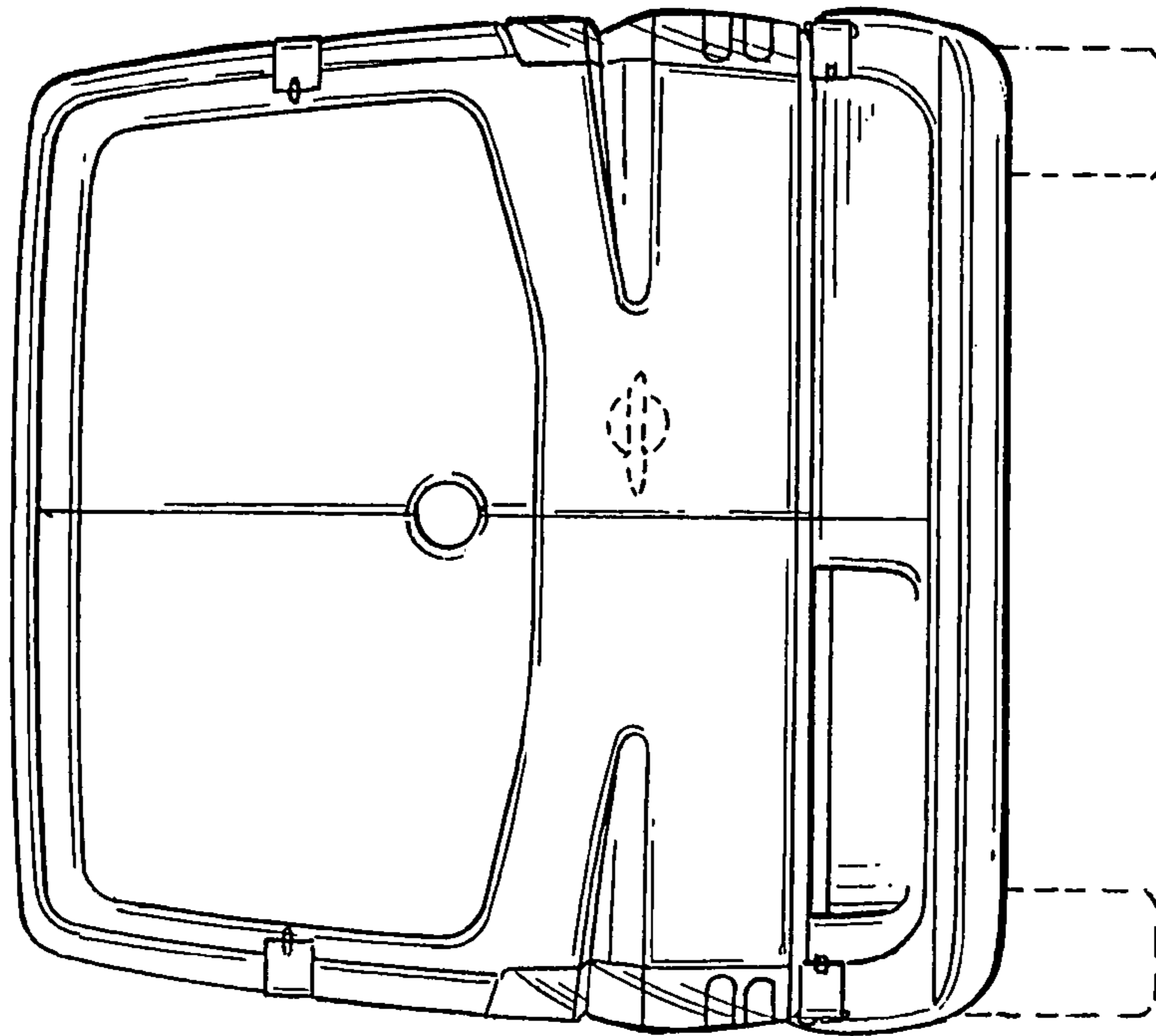


FIG. 5

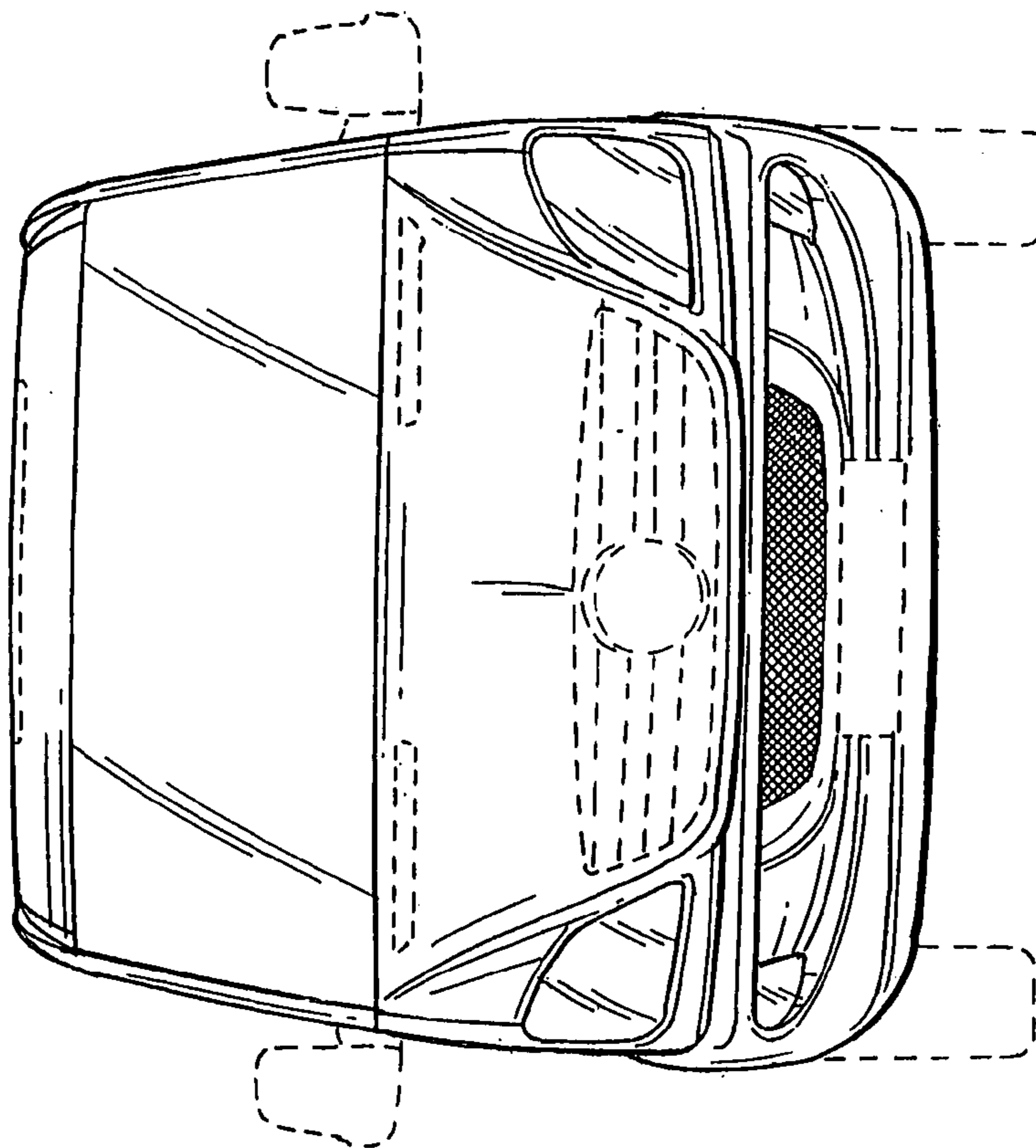


FIG. 4

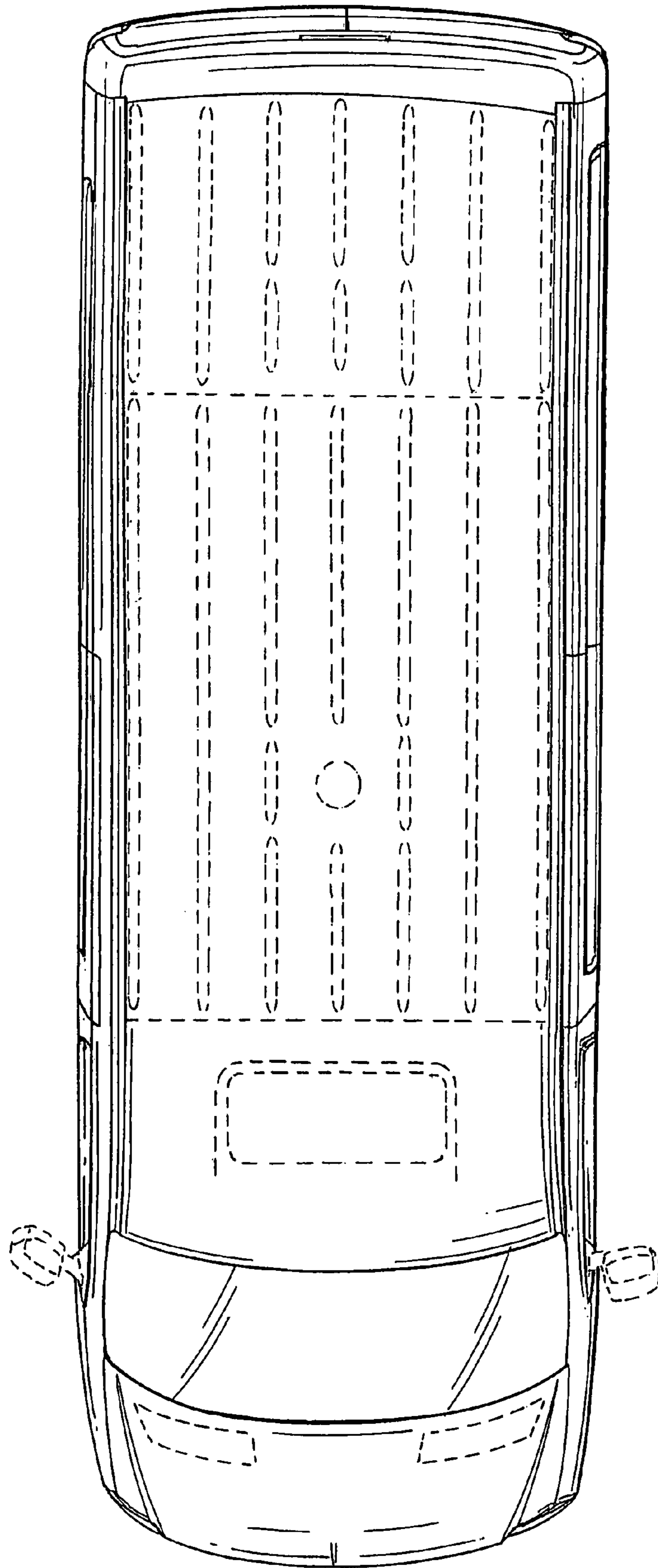


FIG. 6

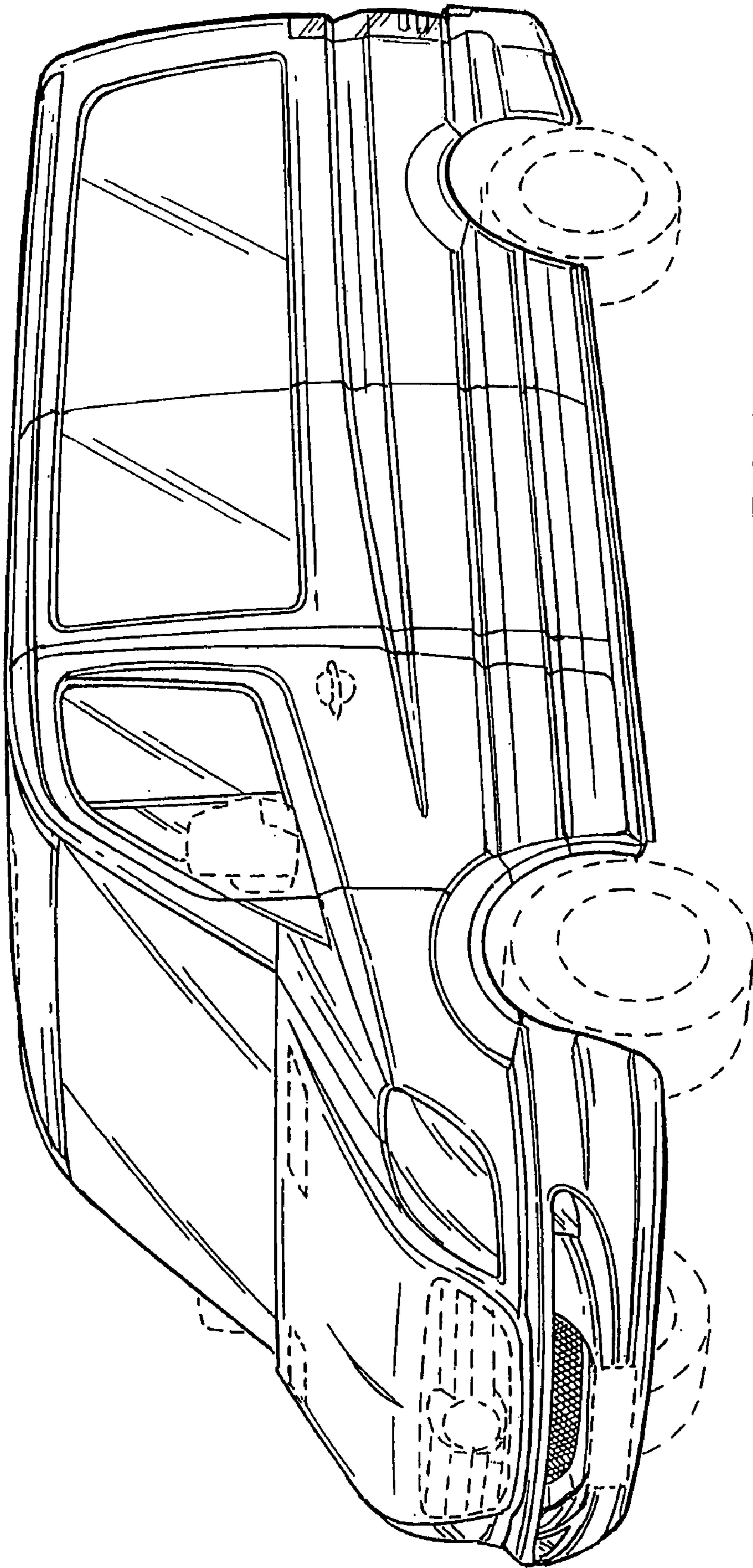


FIG. 7



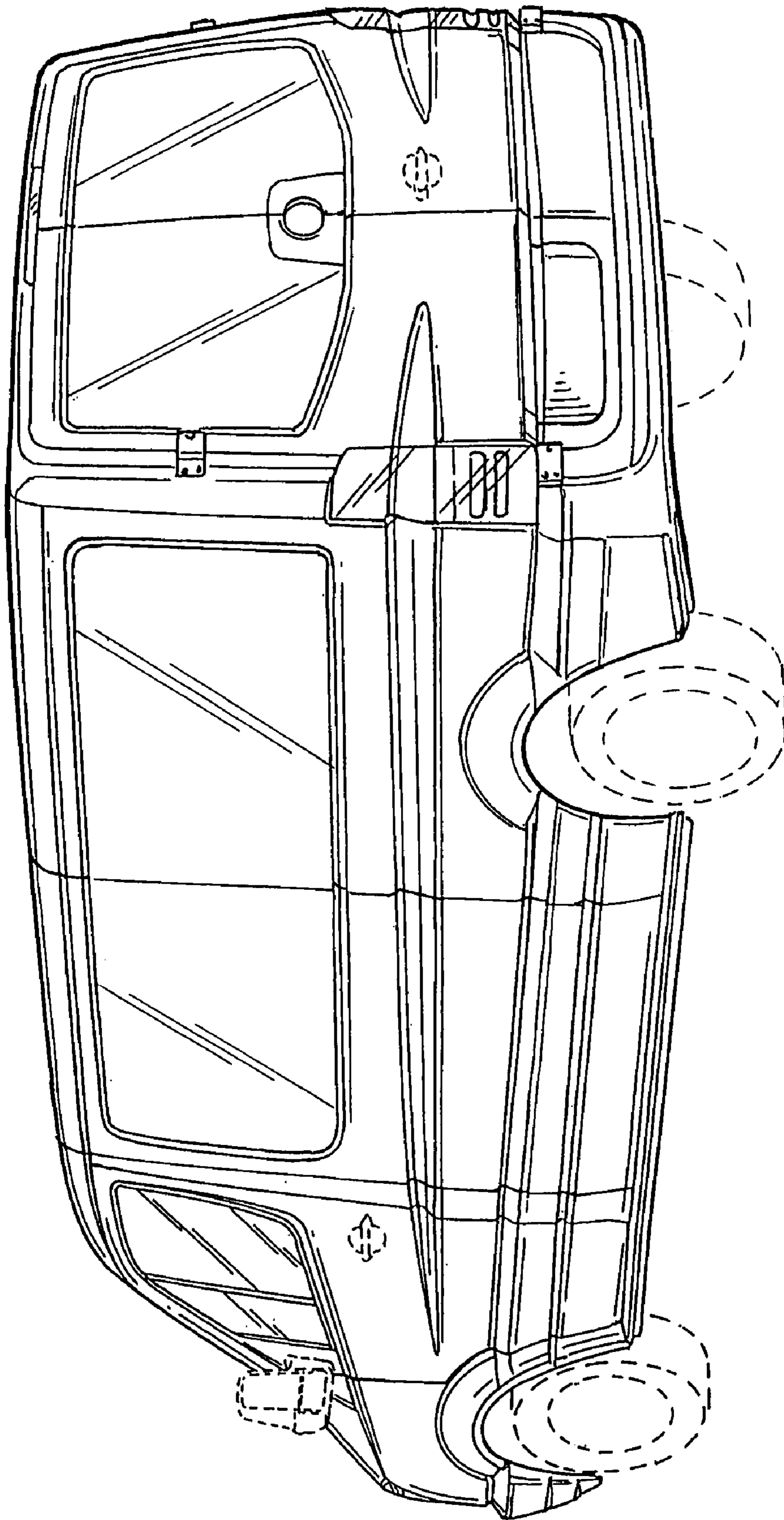


FIG. 8

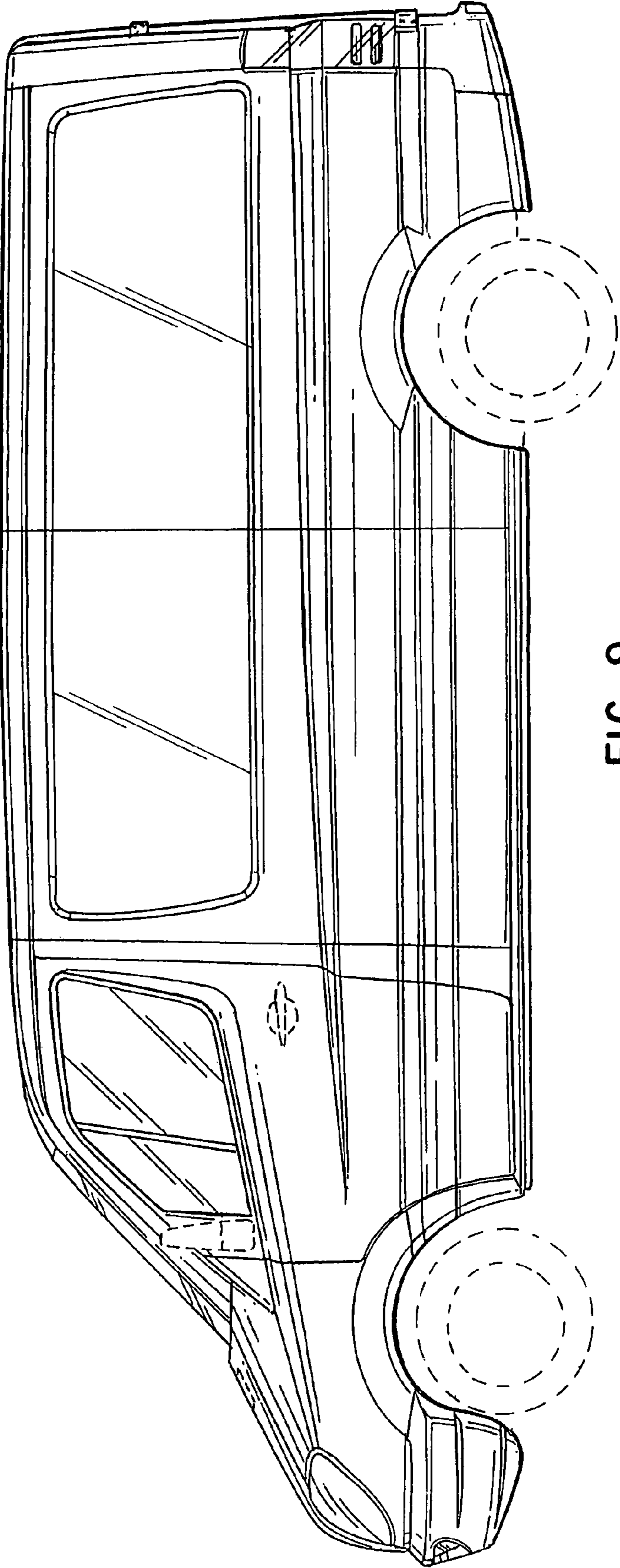


FIG. 9

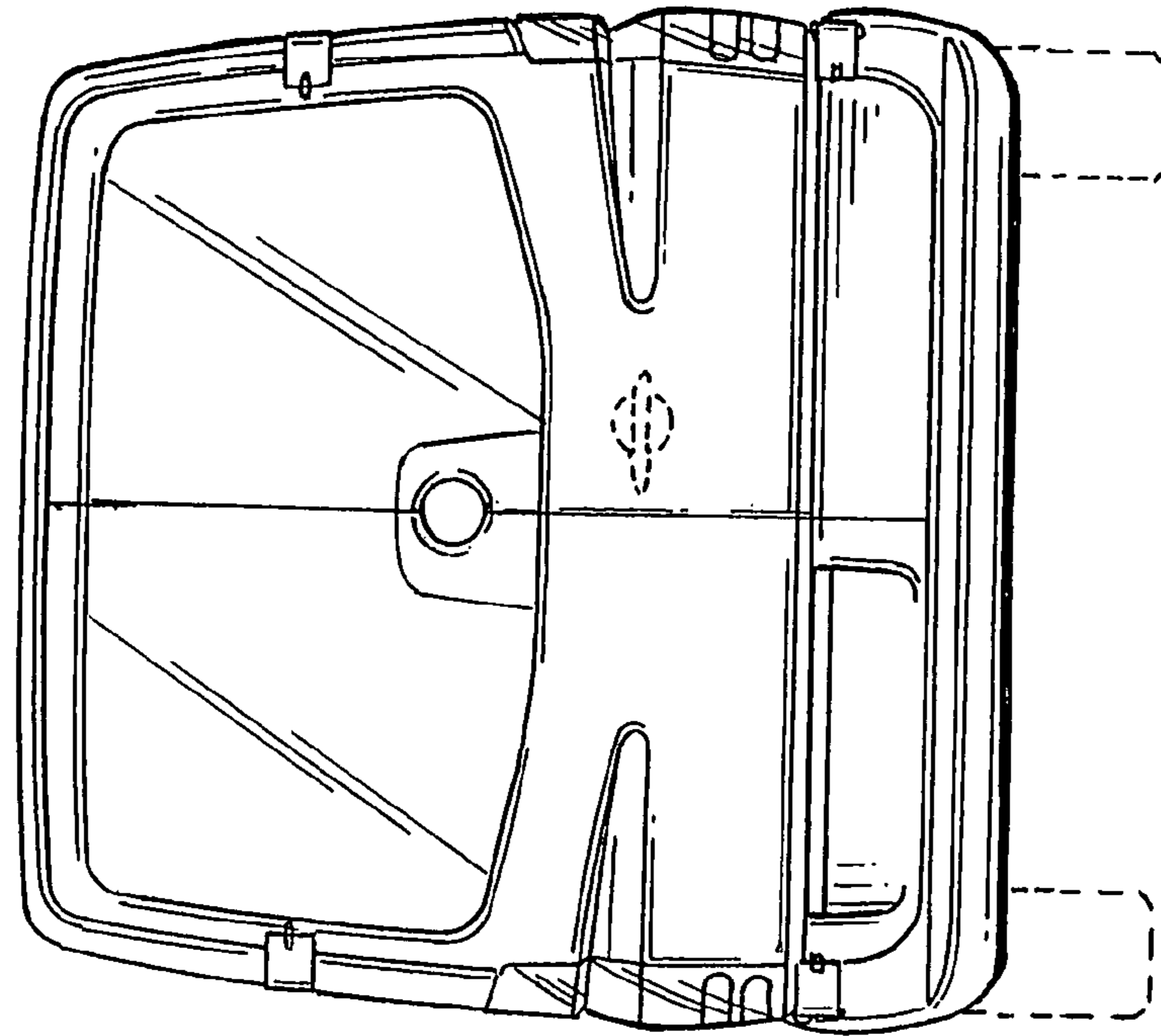


FIG. 11

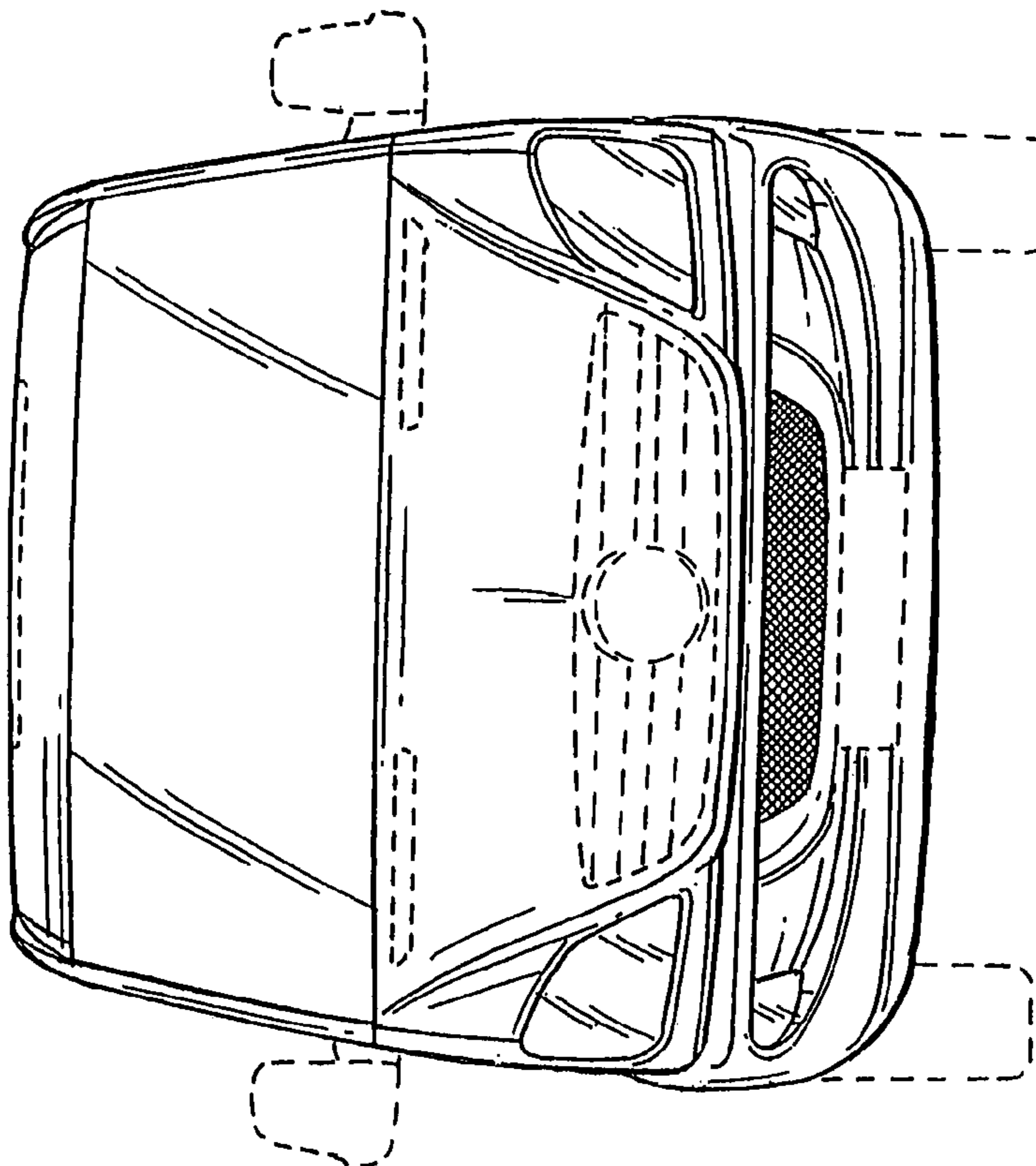


FIG. 10

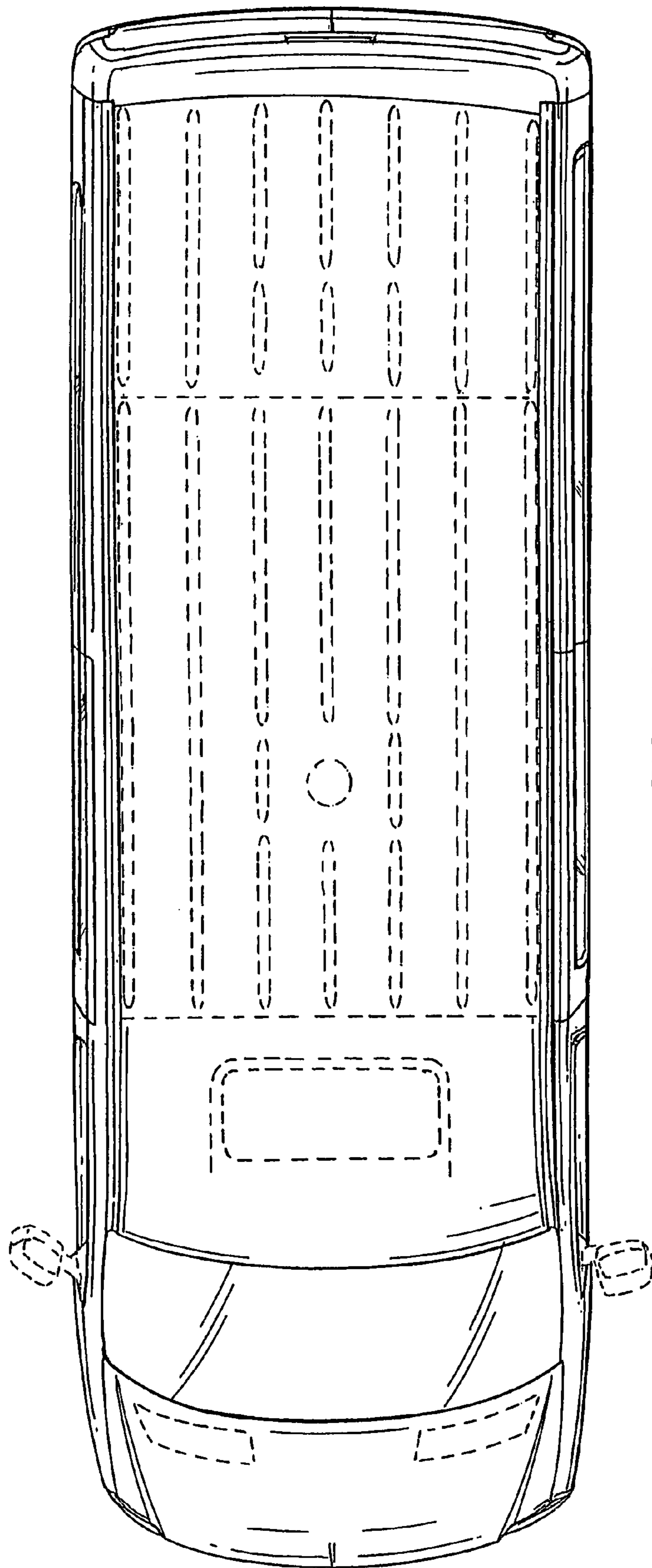


FIG. 12