



US00D556634S

(12) **United States Design Patent**
Koroluk

(10) **Patent No.:** **US D556,634 S**

(45) **Date of Patent:** **** Dec. 4, 2007**

(54) **BUCKLE**

(76) Inventor: **Andrea Koroluk**, Kirchbreiteweg 3A,
CH-6033 Buchrain (CH)

(**) Term: **14 Years**

(21) Appl. No.: **29/217,470**

(22) Filed: **Nov. 17, 2004**

(51) **LOC (8) Cl.** **02-07**

(52) **U.S. Cl.** **D11/231**

(58) **Field of Classification Search** D11/200-238;
D2/627-633; 24/163 R, 176, 171, 307, 625,
24/616, 709, 200, 112, 196, 169

See application file for complete search history.

(56) **References Cited**

U.S. PATENT DOCUMENTS

D81,720 S * 7/1930 Pastore D11/233
2,783,516 A * 3/1957 Stein 24/176

D380,177 S * 6/1997 Fletcher D11/231
D513,207 S * 12/2005 Jones et al. D11/231
D538,199 S * 3/2007 Mouquet D11/231

* cited by examiner

Primary Examiner—Catherine R. Oliver

(74) *Attorney, Agent, or Firm*—Edward P. Dutkiewicz

(57) **CLAIM**

The ornamental design for a buckle, as shown and described.

DESCRIPTION

FIG. 1 is a front view of the buckle illustrating my design.

FIG. 2 is a rear view of the buckle of FIG. 1;

FIG. 3 is an left side view of the buckle of FIG. 1, the right side view being essentially the same; and,

FIG. 4 is a top view of the buckle of FIG. 1; the bottom view being essentially the same.

1 Claim, 2 Drawing Sheets

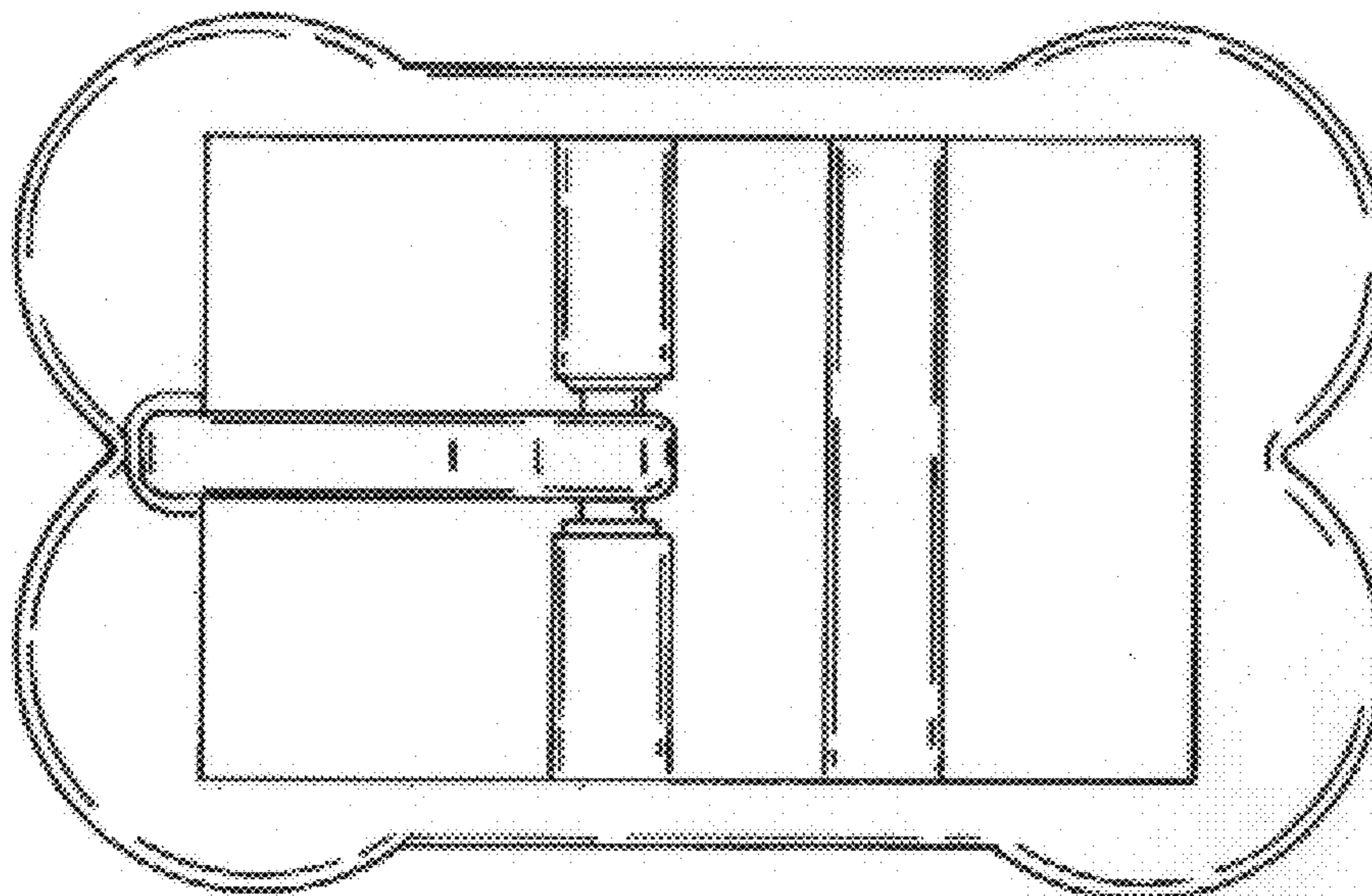


FIG 1

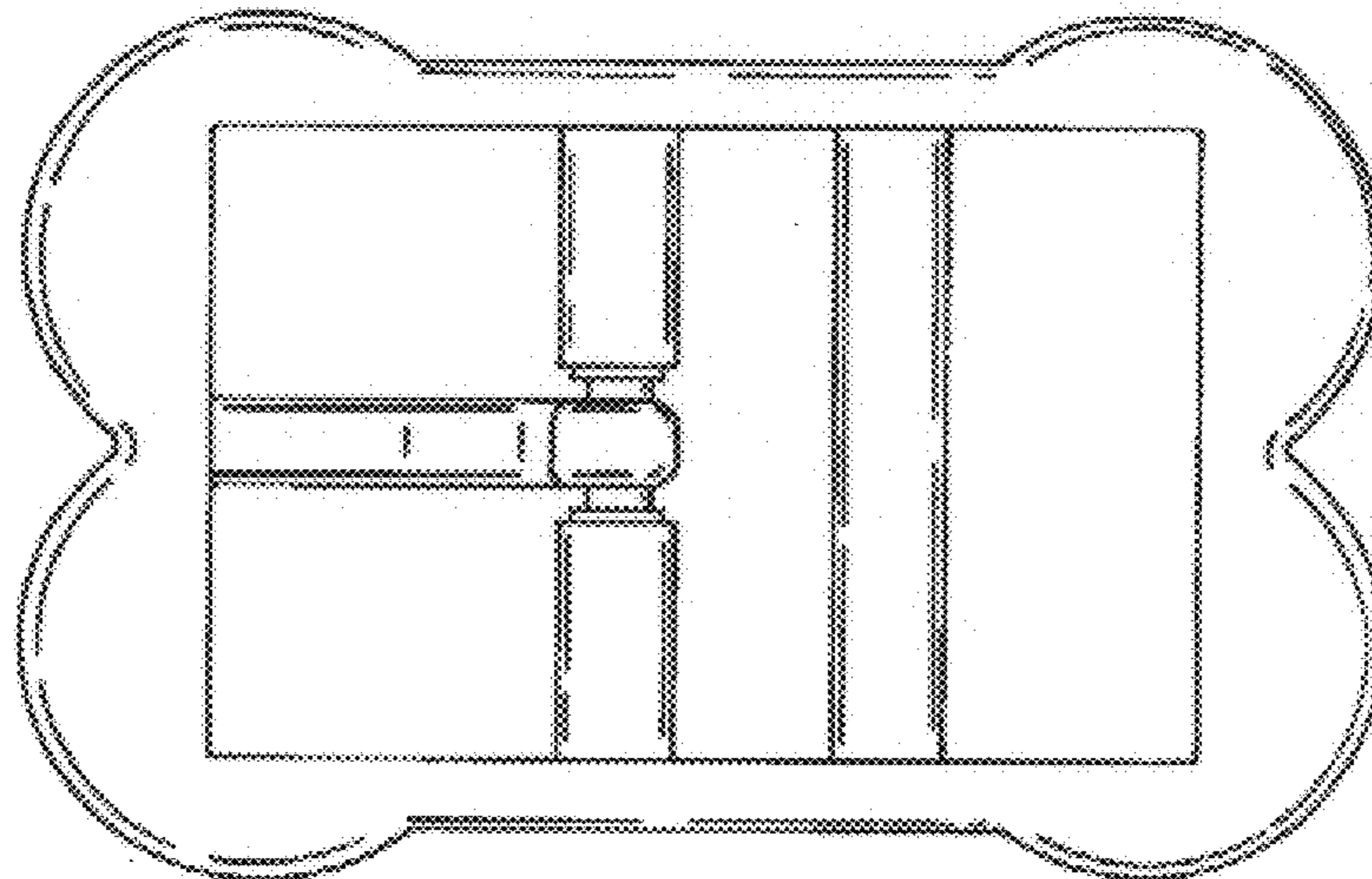
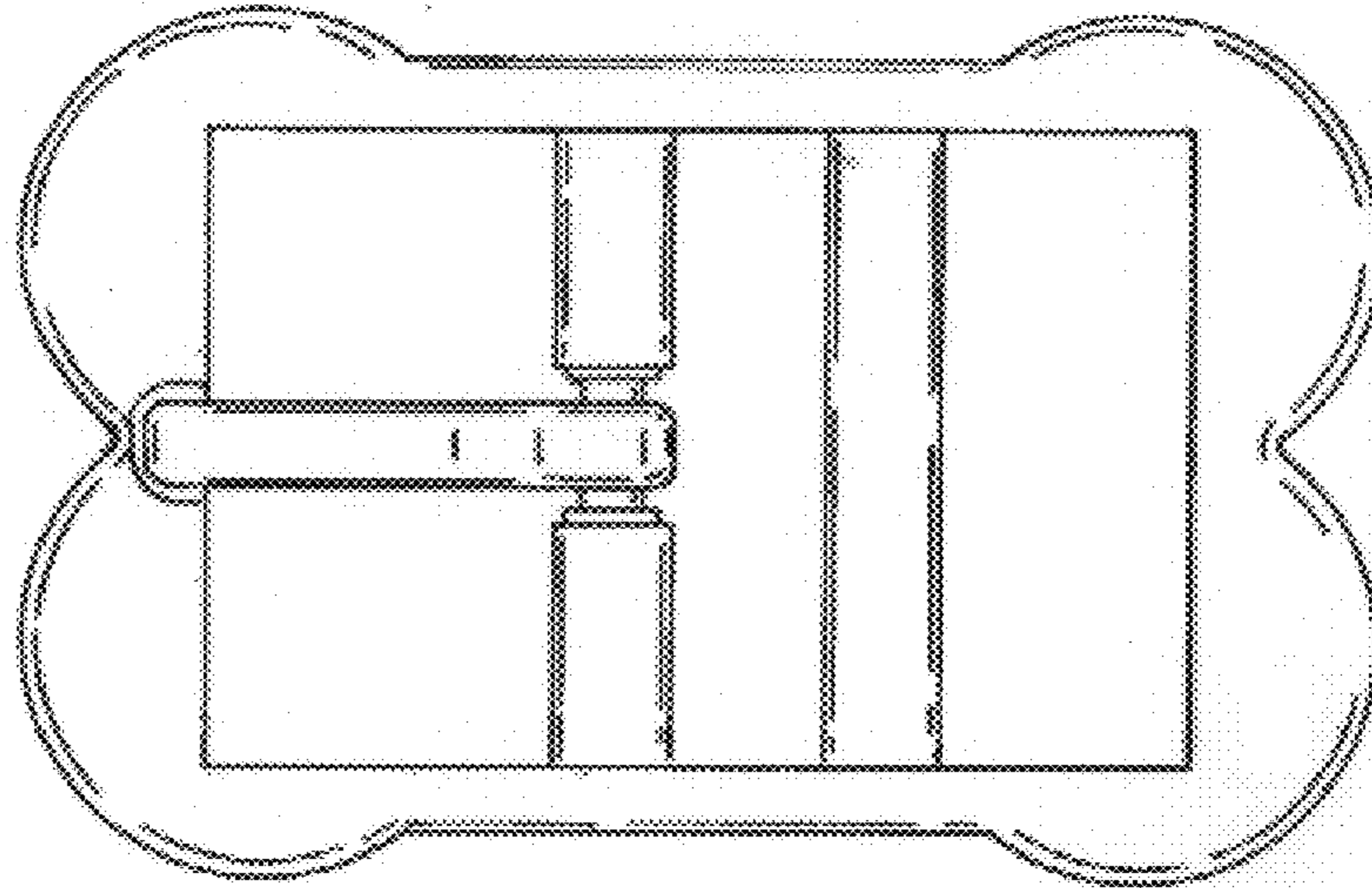


FIG 2

FIG 3

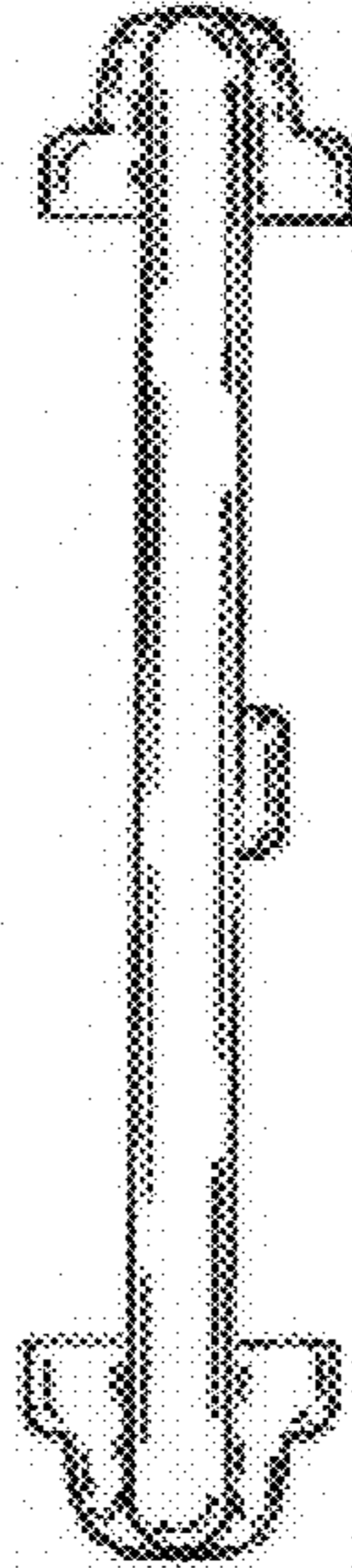


FIG 4