



US00D556627S

(12) **United States Design Patent** (10) **Patent No.:** **US D556,627 S**  
**Arev** (45) **Date of Patent:** **\*\* Dec. 4, 2007**

(54) **PLANT HOLDER**

(76) Inventor: **Ilan Arev**, 29 Sheshet Hayamin Street,  
Kfar Saba 44150 (IL)

(\*\*) Term: **14 Years**

(21) Appl. No.: **29/255,573**

(22) Filed: **Mar. 10, 2006**

(30) **Foreign Application Priority Data**

Sep. 13, 2005 (IL) ..... 41369

(51) **LOC (8) Cl.** ..... **11-02**

(52) **U.S. Cl.** ..... **D11/155**

(58) **Field of Classification Search** ..... D6/403,  
D6/404, 556-558; D7/515, 518, 521, 523,  
D7/549, 554.3, 562, 564; D11/143-149,  
D11/152-156; D19/77, 80-82, 84, 85; D26/9,  
D26/16; 47/32.7, 33, 39, 41.01, 41.1, 41.12-41.15,  
47/44-47, 65.5, 66.1, 66.6, 66.7, 67-71

See application file for complete search history.

(56) **References Cited**

**U.S. PATENT DOCUMENTS**

D237,729 S *	11/1975	Coppa	.....	D11/145
D304,810 S *	11/1989	Thurman	.....	D11/149
D356,523 S *	3/1995	Rahr	.....	D11/152
D356,979 S *	4/1995	Rahr	.....	D11/155
D428,828 S *	8/2000	Gutierrez	.....	D11/143
D436,415 S *	1/2001	Hardy	.....	D26/9
D444,177 S *	6/2001	Carretta	.....	D19/85
D491,487 S *	6/2004	Buss	.....	D11/152

\* cited by examiner

*Primary Examiner*—Robert M. Spear  
*Assistant Examiner*—Garth Rademaker

(57) **CLAIM**

The ornamental design for a plant holder, substantially as shown.

**DESCRIPTION**

FIG. 1 is a perspective view of a plant holder showing my new design;

FIG. 2 is a left side elevational view thereof;

FIG. 3 is a right side elevational view thereof;

FIG. 4 is a front elevational view thereof;

FIG. 5 is a rear elevational view thereof;

FIG. 6 is a top plan view thereof;

FIG. 7 is a bottom plan view thereof; and,

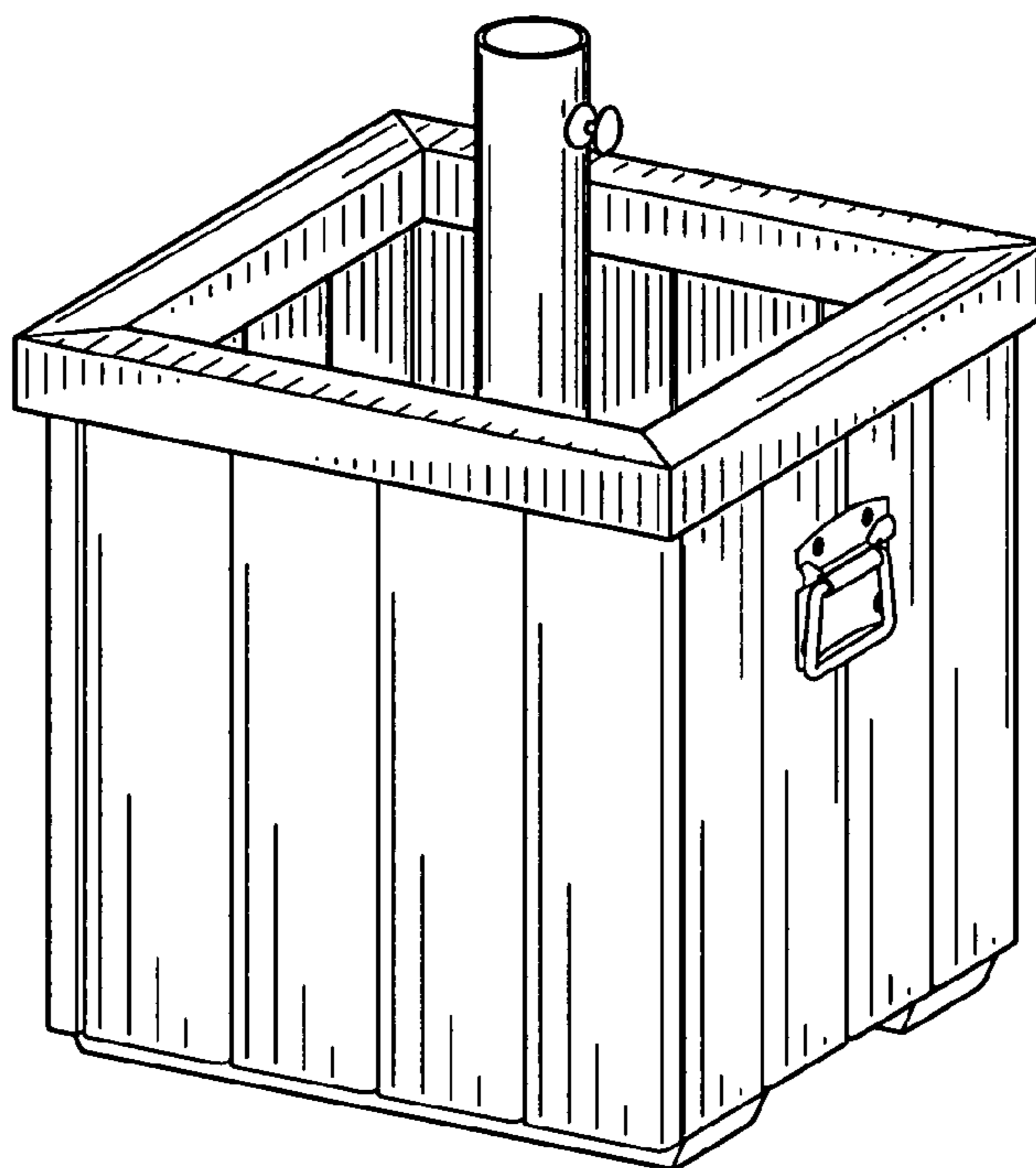
FIG. 8 is a perspective view of the plant holder shown in an alternative environment.

As shown in FIG. 8, the plant holder may be used for growing and displaying flora and fauna. The lower part of the plant holder may be partially filled with stones or other heavy material beneath the flora and fauna for stability. Alternatively, the plant holder may be filled with stones or other material for ornamental or decorative purposes.

As further illustrated in FIG. 8, the plant holder may also be used for providing shade and protection by means of an umbrella or sun shade inserted within the support element.

The broken lines depict environmental subject matter only and form no part of the claimed design.

**1 Claim, 3 Drawing Sheets**



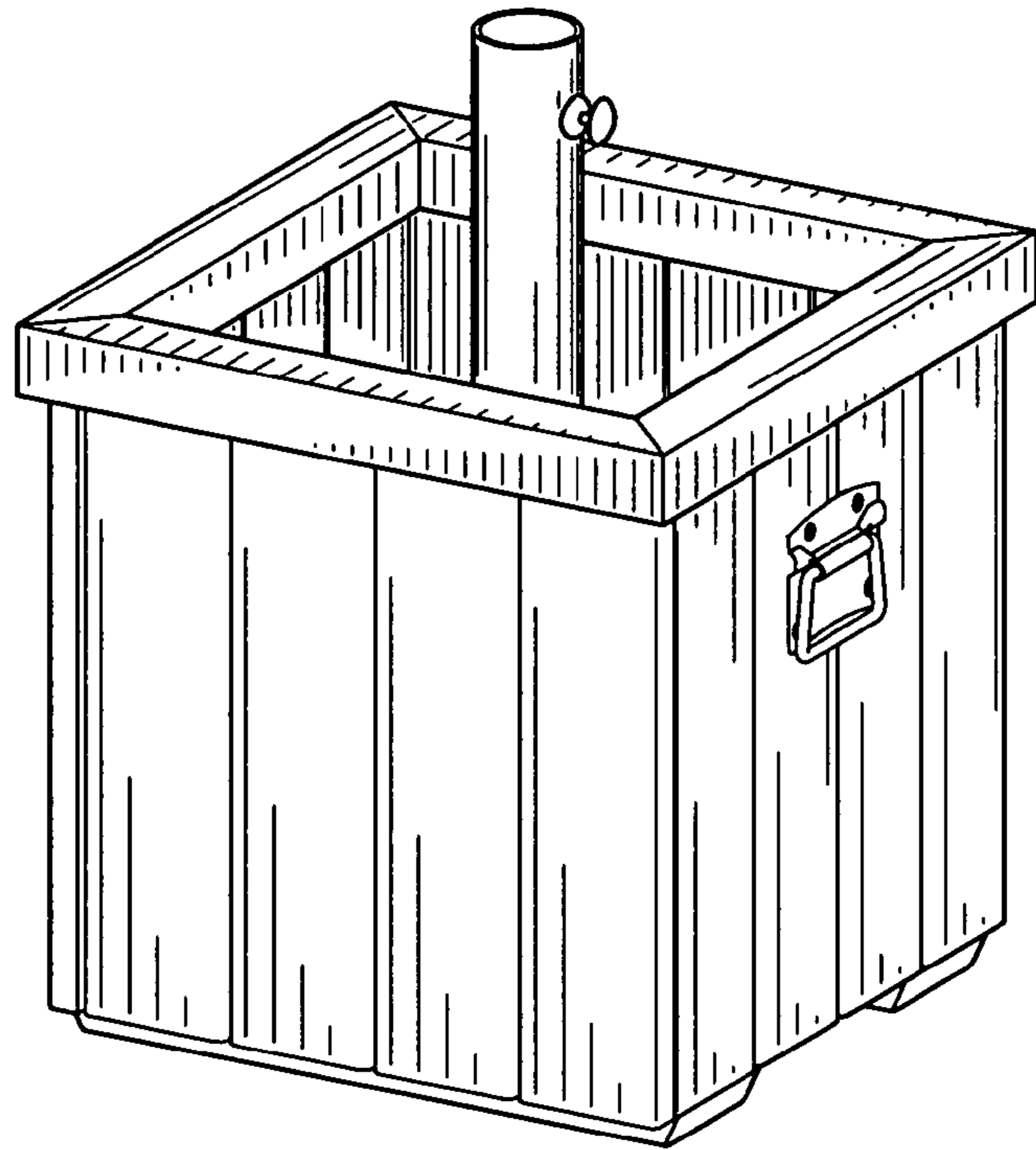


FIG. 1

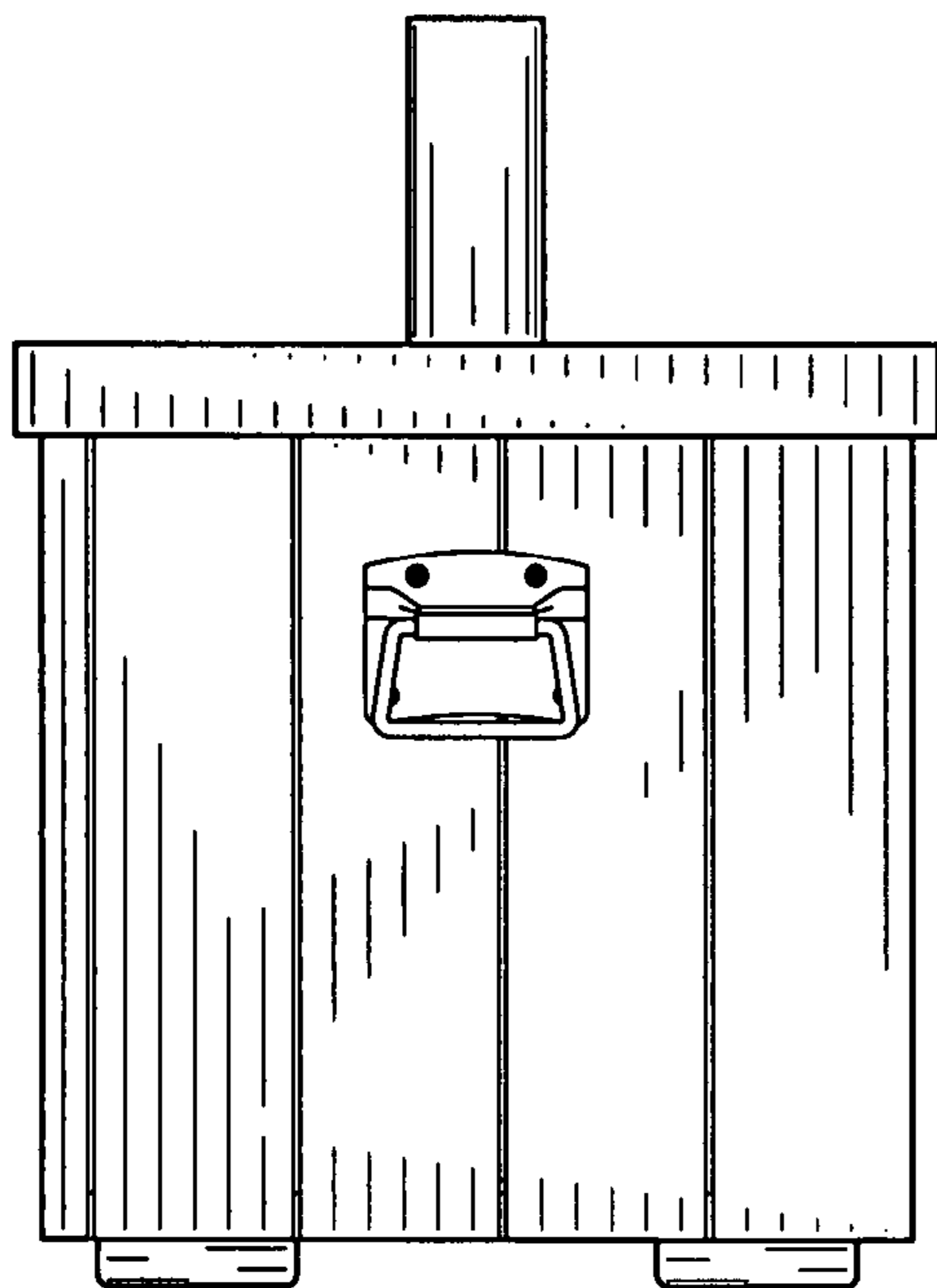


FIG. 2

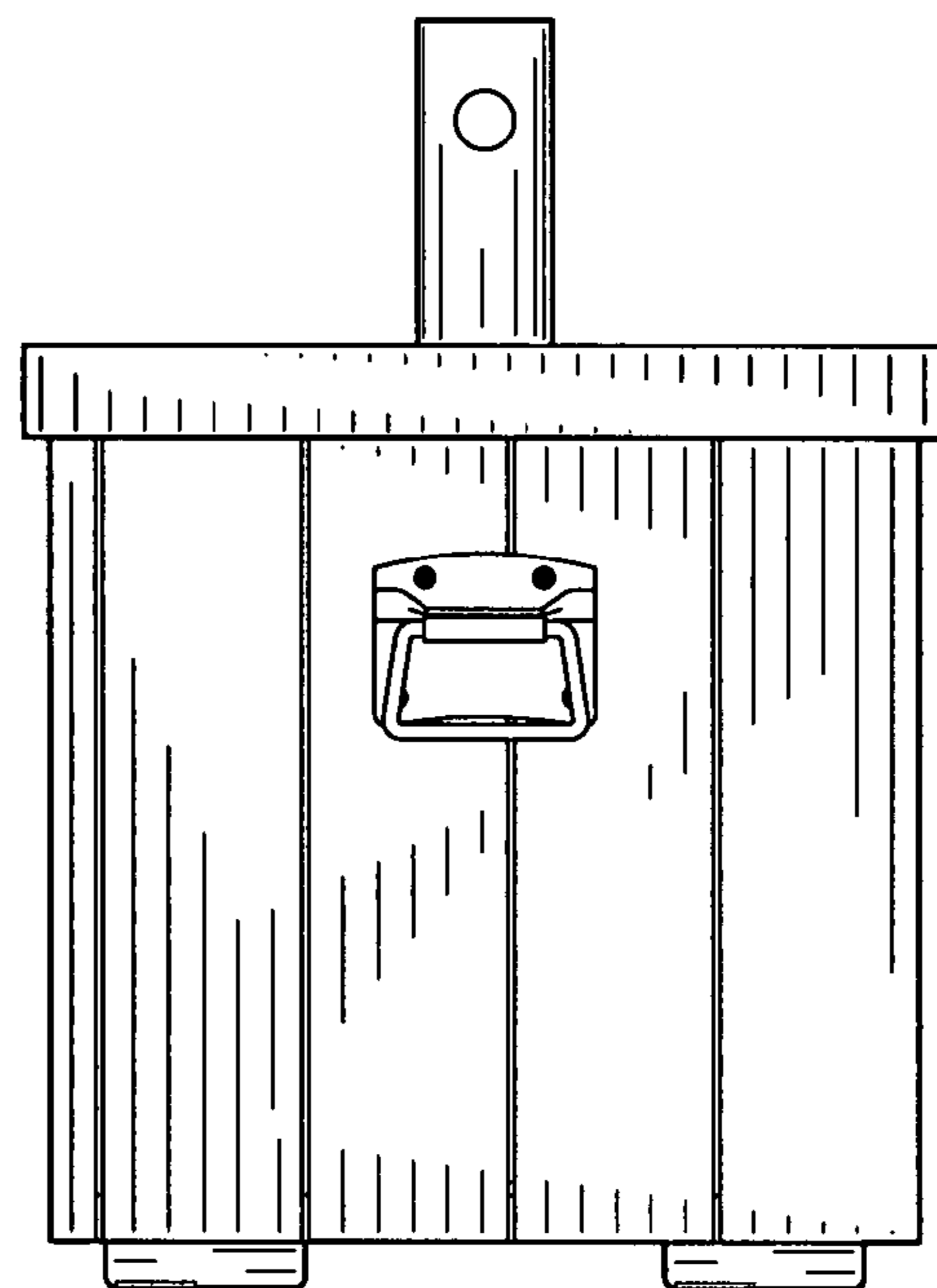


FIG. 3

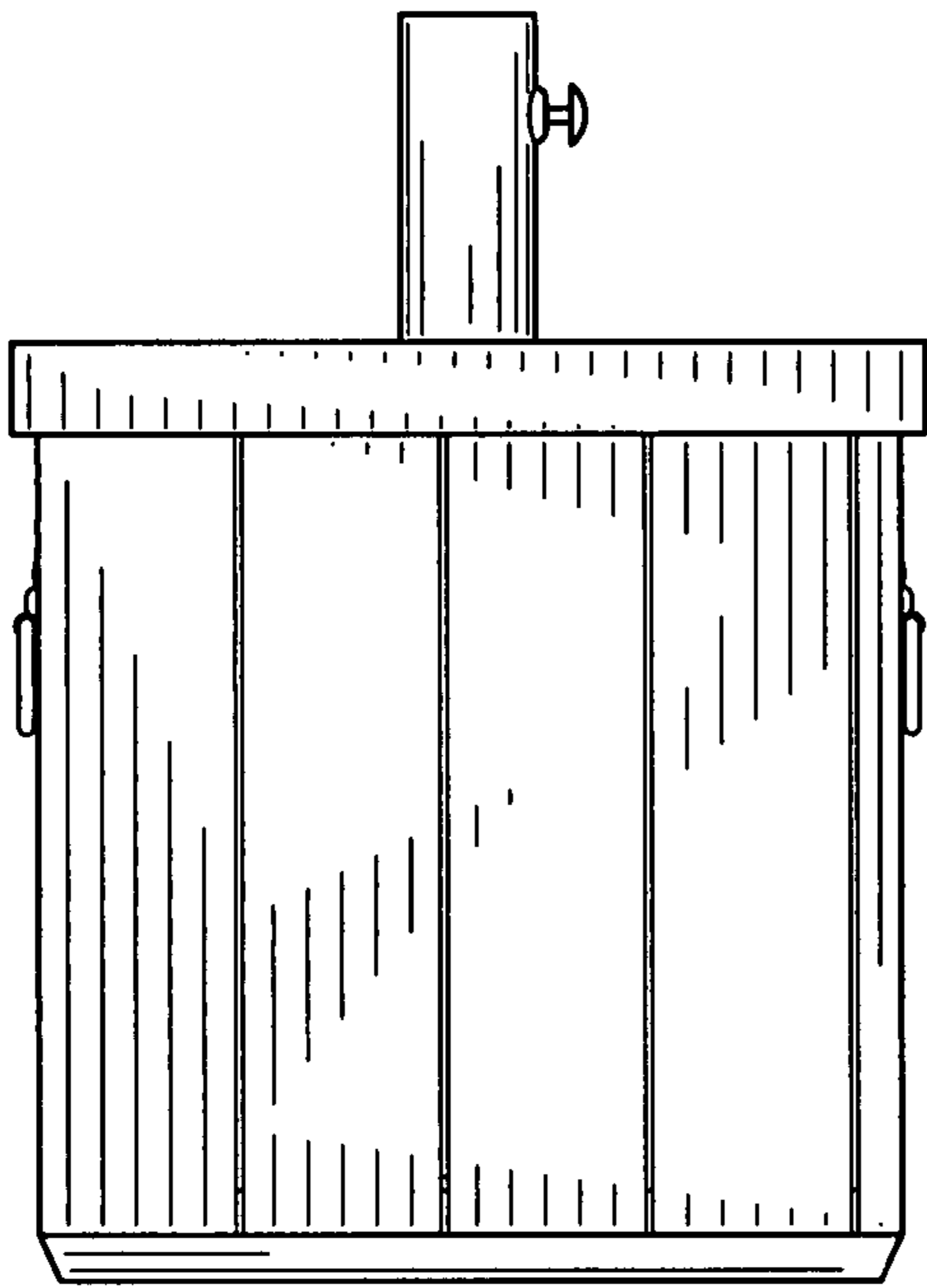


FIG. 4

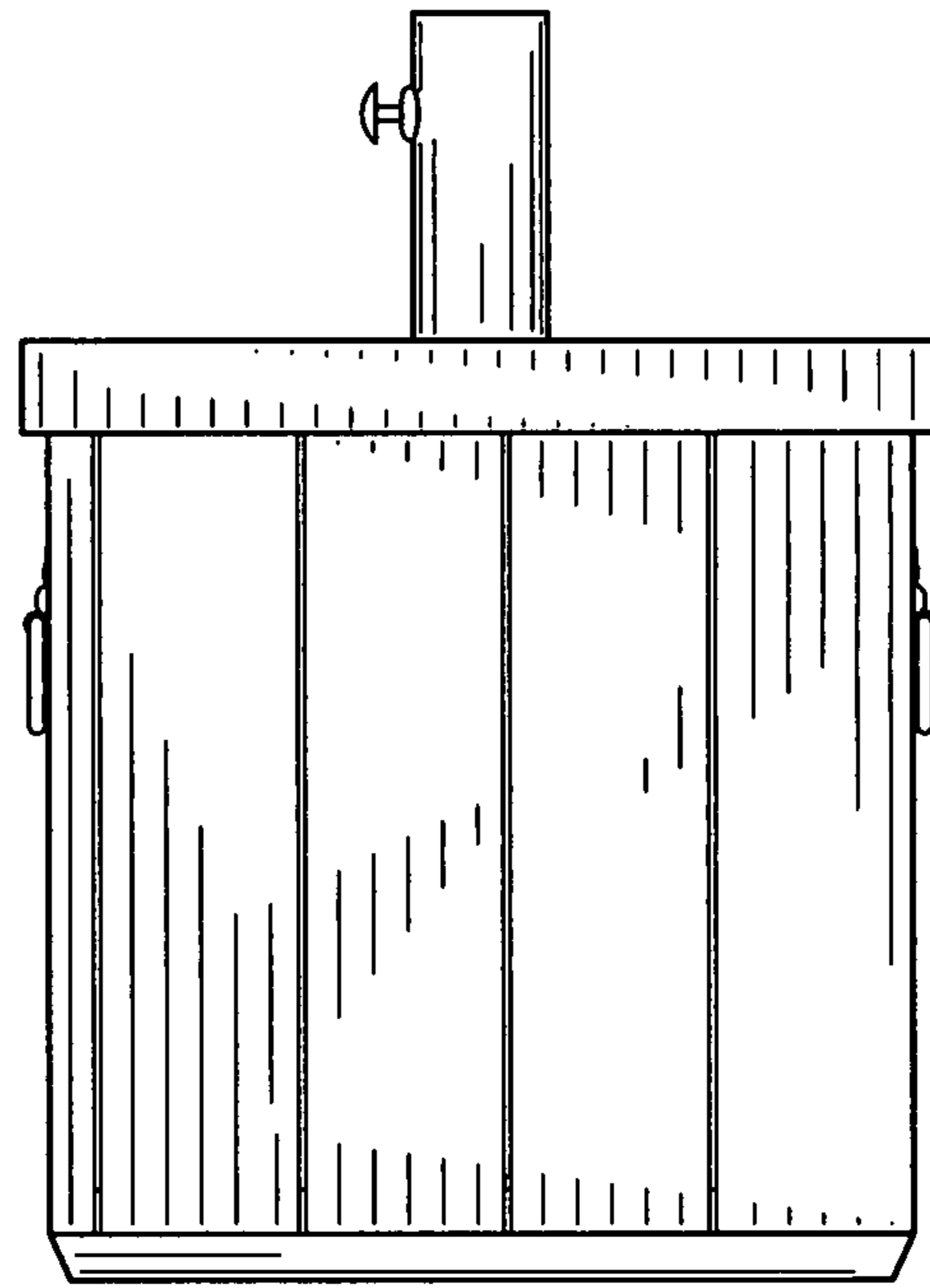


FIG. 5

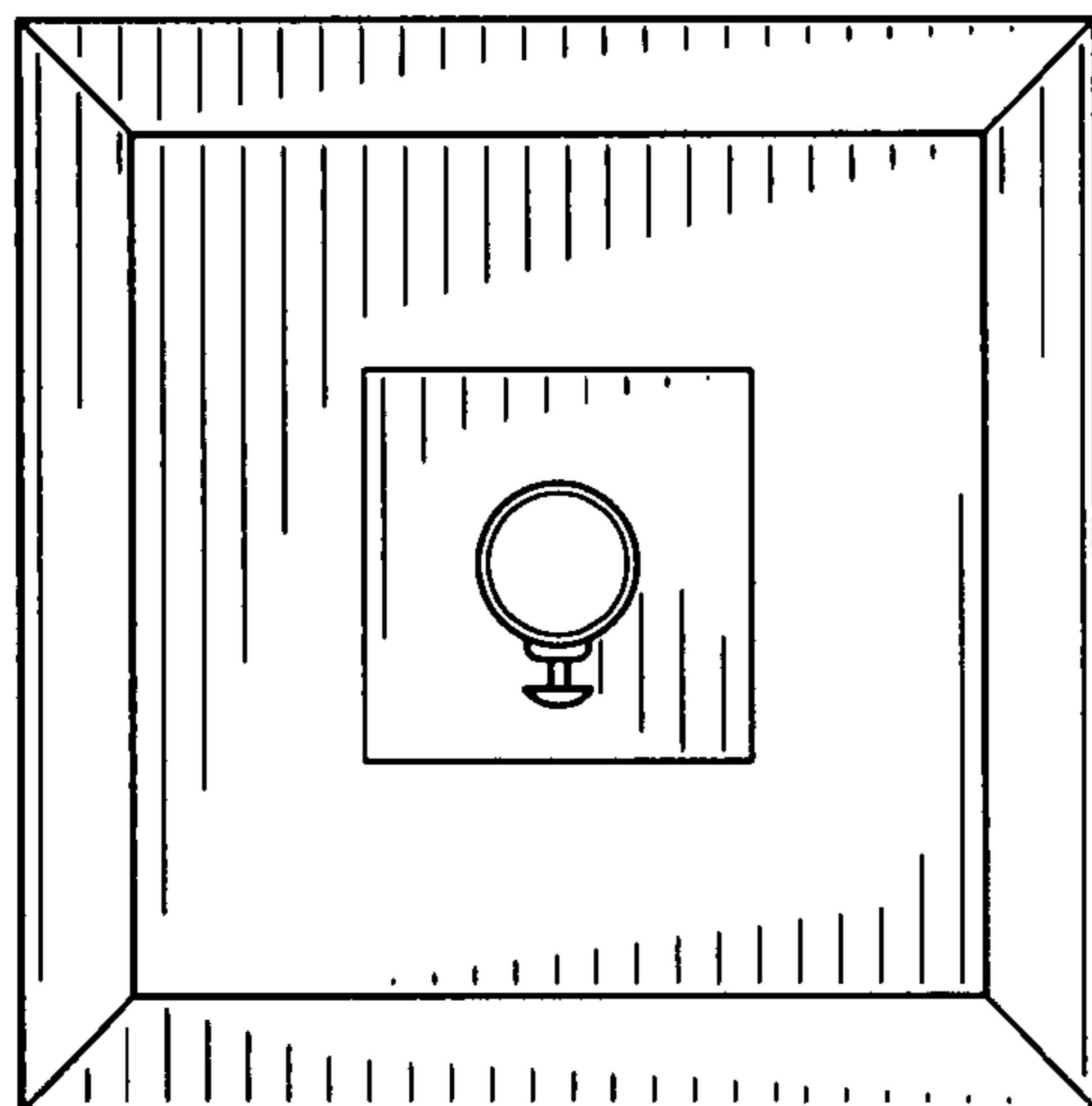


FIG. 6

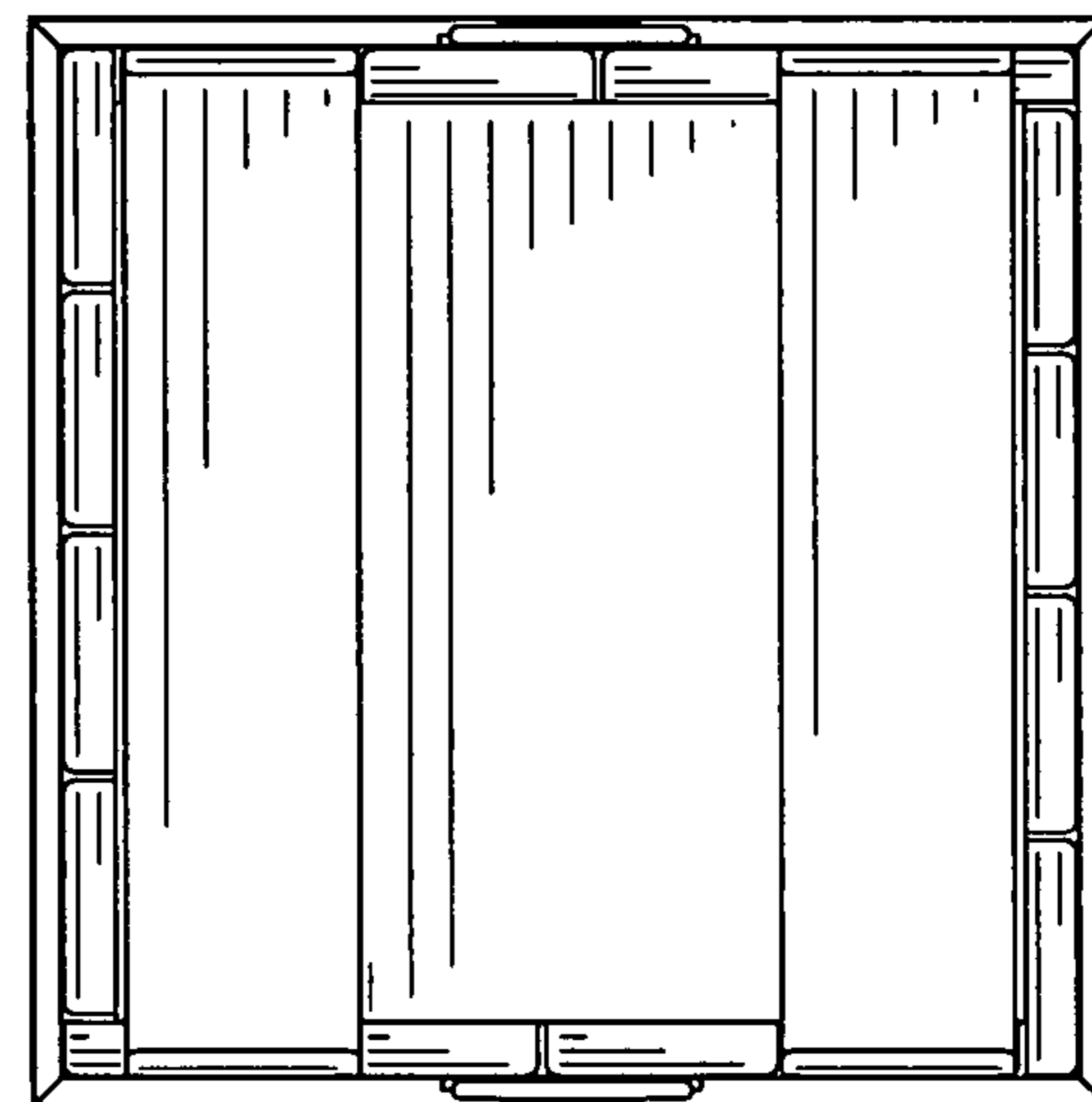


FIG. 7

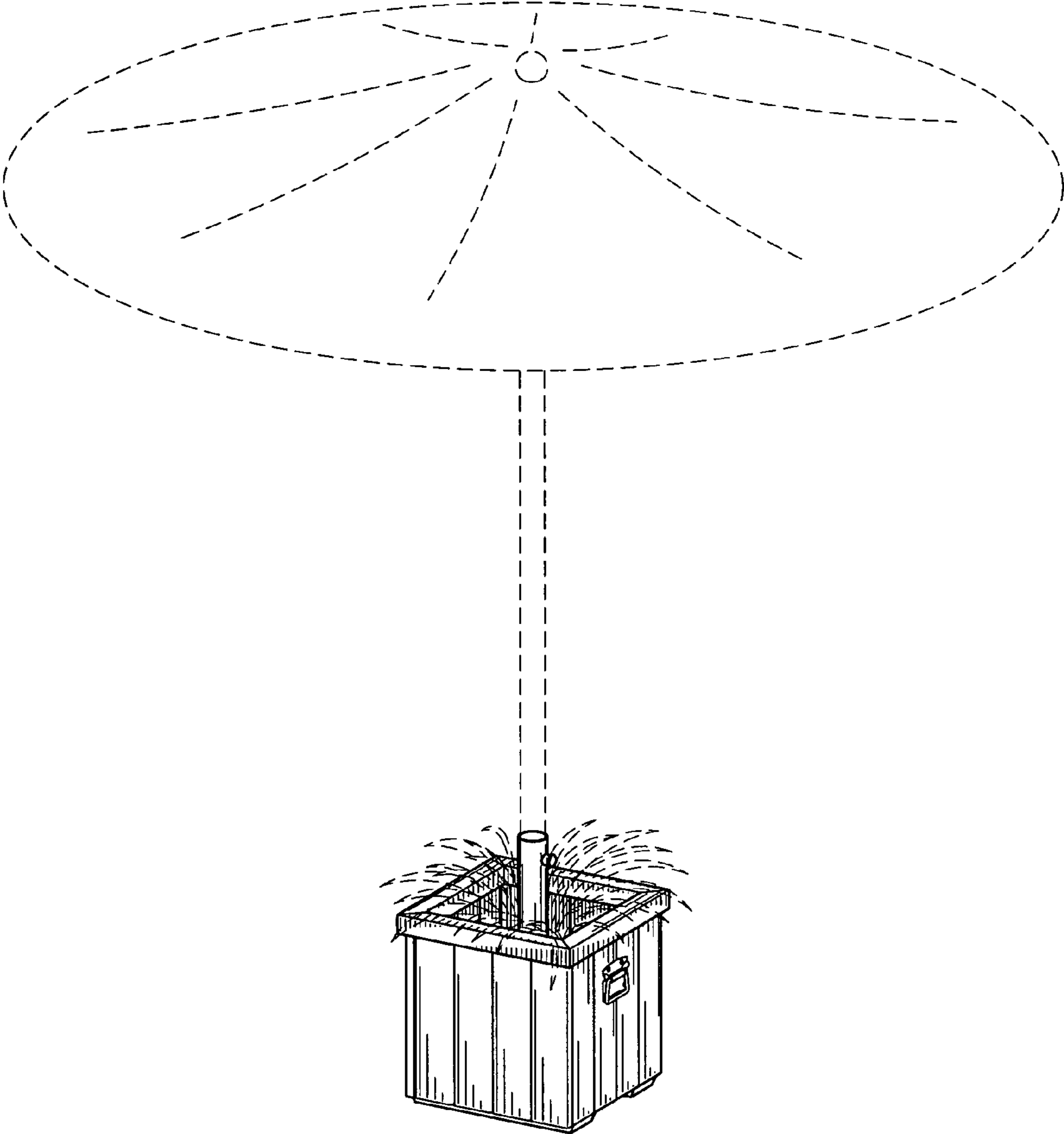


FIG.8