



US00D556618S

(12) **United States Design Patent**
Campagna

(10) **Patent No.:** **US D556,618 S**

(45) **Date of Patent:** **** Dec. 4, 2007**

(54) **SECURITY LIGHT FIXTURE**

(75) **Inventor:** **Cary J. Campagna**, Portage, MI (US)

(73) **Assignee:** **Command Electronics, Inc.**,
Schoolcraft, MI (US)

(**) **Term:** **14 Years**

(21) **Appl. No.:** **29/252,178**

(22) **Filed:** **Jan. 19, 2006**

(51) **LOC (8) Cl.** **10-05**

(52) **U.S. Cl.** **D10/114**

(58) **Field of Classification Search** D10/104-121;
D26/152, 123, 72, 85; 362/40, 414, 431,
362/253, 806

See application file for complete search history.

(56) **References Cited**

U.S. PATENT DOCUMENTS

| | | | |
|--------------|---------|---------------------|---------|
| D260,558 S * | 9/1981 | Catte | D26/29 |
| D286,446 S * | 10/1986 | Caroli et al. | D26/123 |
| D412,040 S * | 7/1999 | Hudak et al. | D26/87 |
| D462,799 S * | 9/2002 | Ziaylek et al. | D26/28 |
| D467,030 S * | 12/2002 | Gaskins et al. | D26/123 |
| D469,211 S * | 1/2003 | Homann | D26/118 |
| D484,270 S * | 12/2003 | Yiu | D26/89 |

| | | | |
|-------------------|---------|--------------------|---------|
| D496,751 S * | 9/2004 | Lin | D26/85 |
| D505,147 S * | 5/2005 | Koren | D16/219 |
| D511,020 S * | 10/2005 | Egawa et al. | D26/89 |
| 2006/0176703 A1 * | 8/2006 | Cayton et al. | 362/350 |

* cited by examiner

Primary Examiner—Robert M. Spear

Assistant Examiner—George D Kirschbaum

(74) *Attorney, Agent, or Firm*—Flynn, Thiel, Boutell & Tanis, P.C.

(57) **CLAIM**

The ornamental design for a security light fixture, as shown and described.

DESCRIPTION

FIG. 1 is a front view of the security light fixture showing my new design;

FIG. 2 is a left side view thereof;

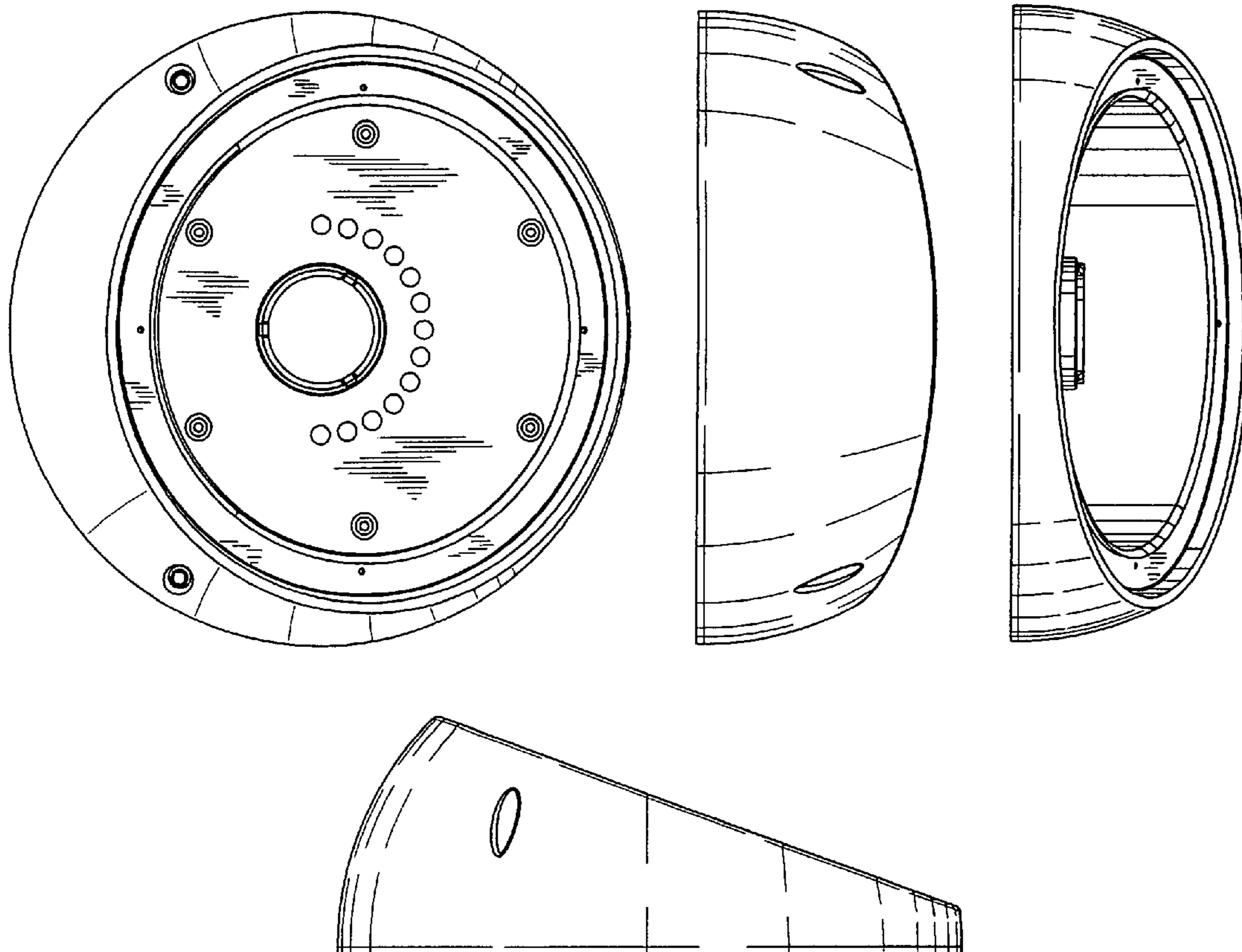
FIG. 3 is a right side view thereof;

FIG. 4 is a bottom view thereof;

FIG. 5 is a top view thereof; and,

FIG. 6 is a rear view thereof.

1 Claim, 2 Drawing Sheets



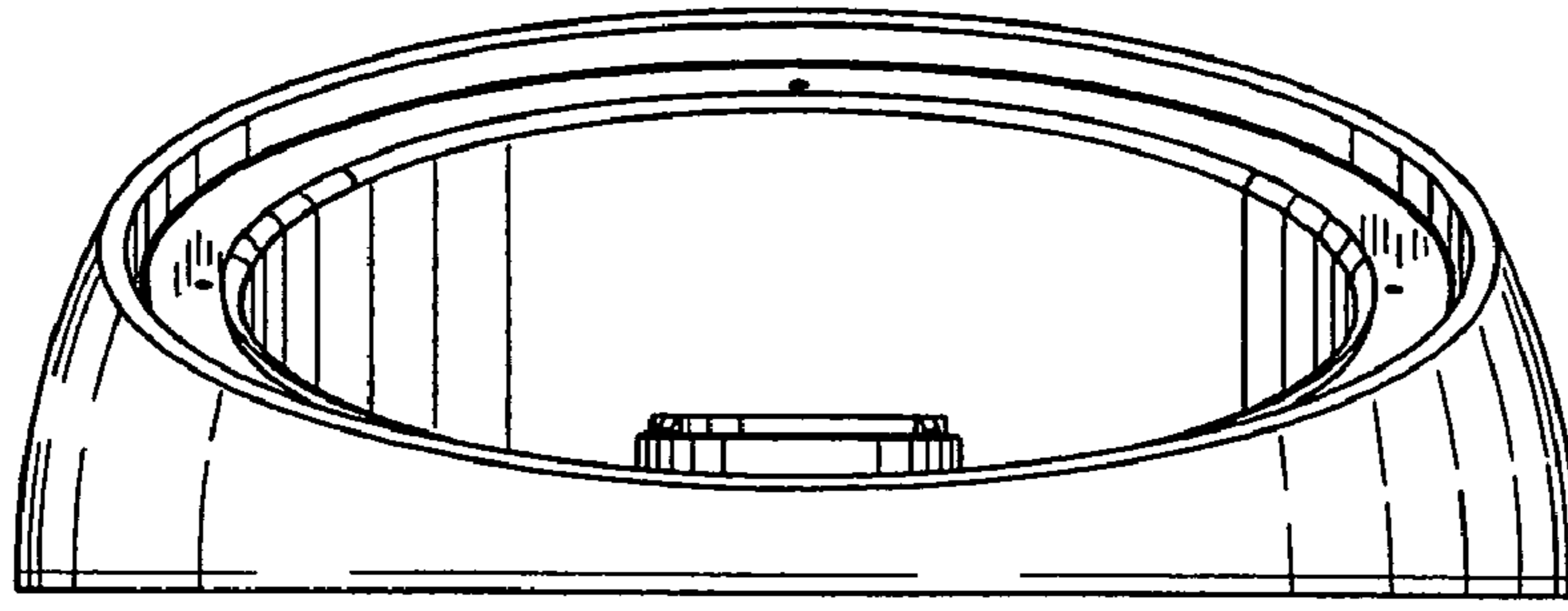


FIG. 3

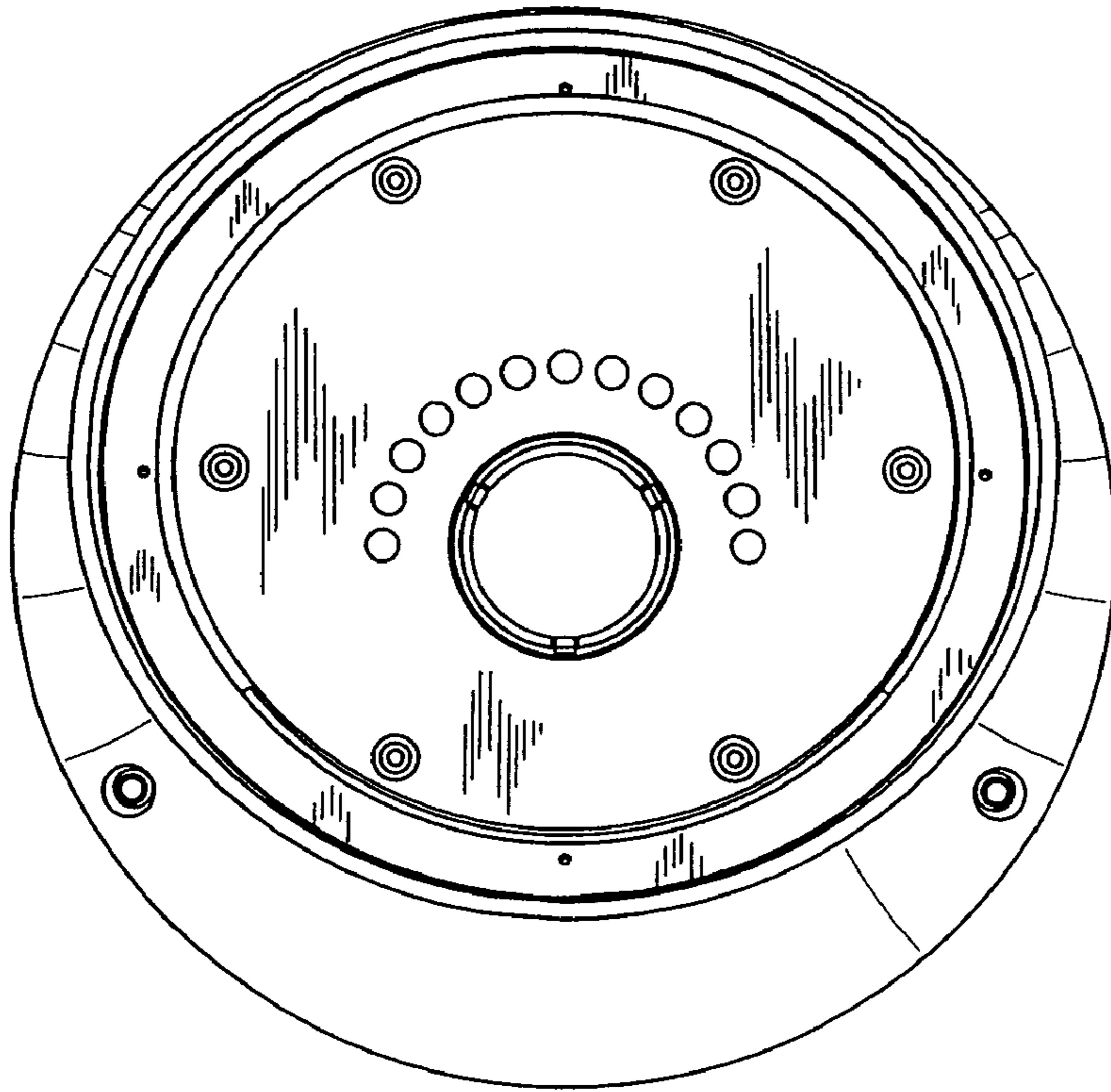


FIG. 1

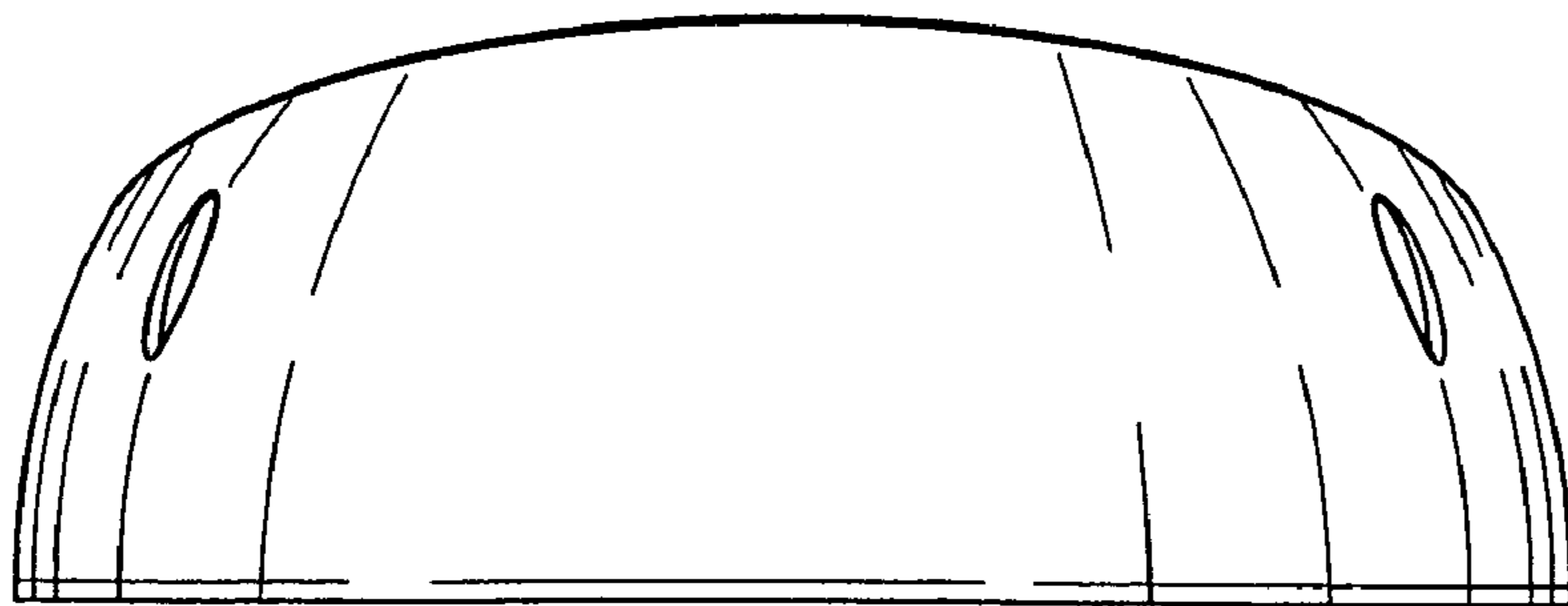


FIG. 2

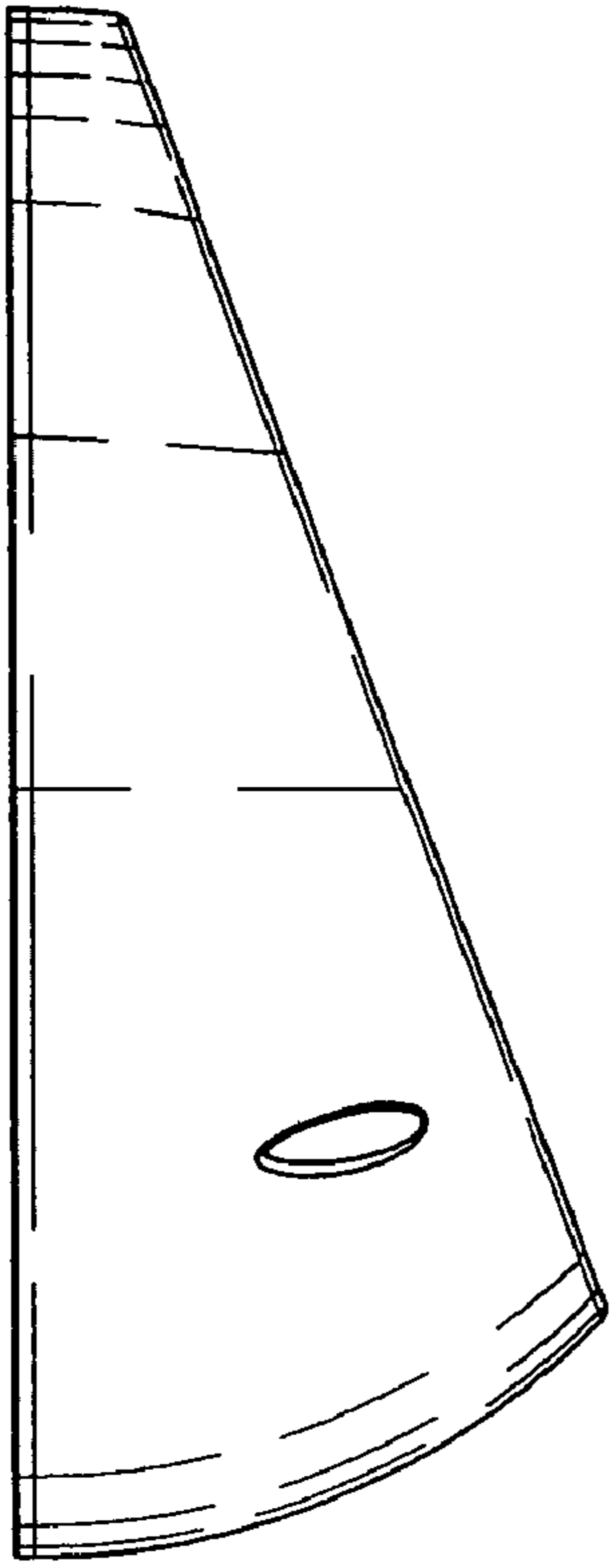


FIG. 5

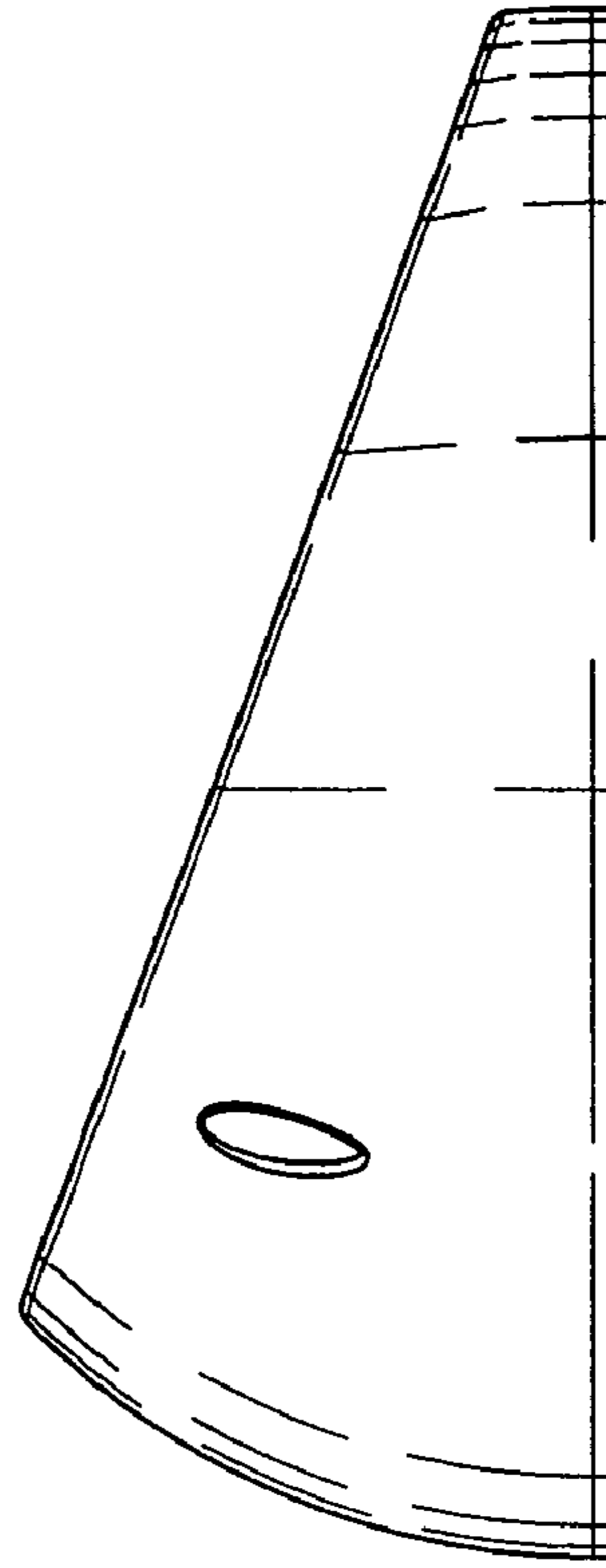


FIG. 4

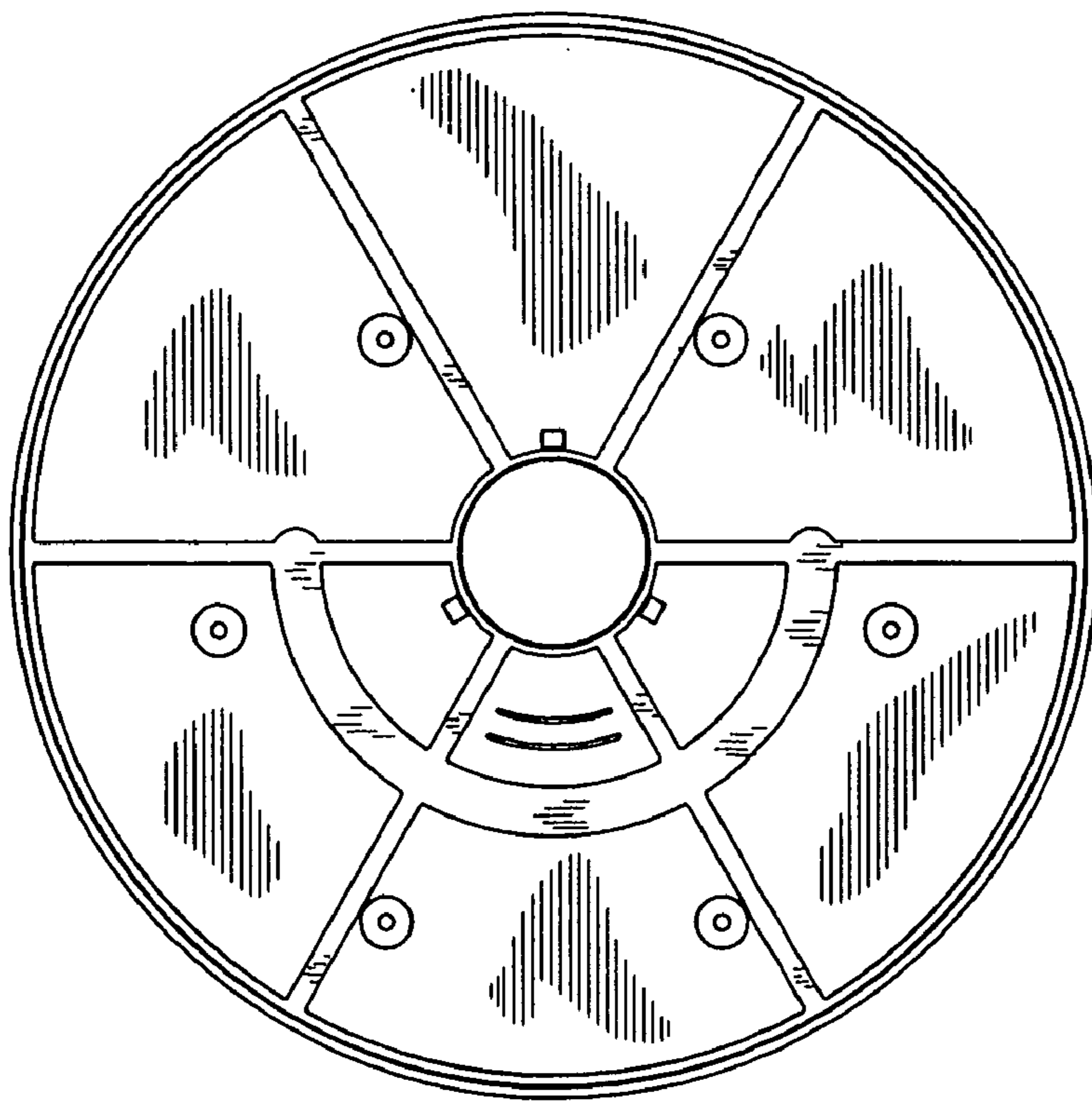


FIG. 6