



US00D556616S

(12) **United States Design Patent** (10) **Patent No.:** **US D556,616 S**
Preston et al. (45) **Date of Patent:** **** Dec. 4, 2007**

(54) **METER**

(75) Inventors: **Warren John Preston**, Turrella (AU);
Peter Robert Kerr, Turrella (AU)

(73) Assignee: **MacNaught Pty Ltd.**, New South
Wales (AU)

(**) Term: **14 Years**

(21) Appl. No.: **29/266,368**

(22) Filed: **Sep. 19, 2006**

(30) **Foreign Application Priority Data**

May 22, 2006 (AU) 12250/2006

(51) **LOC (8) Cl.** **10-04**

(52) **U.S. Cl.** **D10/96**

(58) **Field of Classification Search** D10/96;
73/861.351-861.357

See application file for complete search history.

(56) **References Cited**

U.S. PATENT DOCUMENTS

D440,896 S * 4/2001 Asai et al. D10/96
D447,072 S * 8/2001 Asai et al. D10/96
6,952,960 B2 * 10/2005 Nozoe et al. 73/204.21

OTHER PUBLICATIONS

MacNaught Pty Ltd, catalog page, 1998, Sydney, Australia.
MacNaught Pty Ltd, MacNaught Lubrication & Greasing Equip-
ment, catalog, Jun. 2006, NA180 Issue 4A, Sydney, Australia, pp.
6-8, 11-14, 15, 17, 22, 23, 25, 37-47.

PIUSI S.p.A., website, Dec. 4, 2006.

MacNaught Pty Ltd, M Series Positive Displacement Flow Meters,
catalog, 2006, Part No. MP107, Issue 3, Sydney, Australia.

MacNaught Pty Ltd, MacNaught Lubrication & Greasing Equip-
ment, catalog, 2004, pp. 33-39, NA180 Issue 3A, Sydney, Australia.

* cited by examiner

Primary Examiner—Antoine D. Davis

(74) *Attorney, Agent, or Firm*—King & Schickli, PLLC

(57) **CLAIM**

The ornamental design of a meter, as shown and described.

DESCRIPTION

FIG. 1 is a perspective view of a meter of the present invention;

FIG. 2 is a second perspective view thereof;

FIG. 3 is a top plan view thereof;

FIG. 4 is a bottom view thereof;

FIG. 5 is a side elevation view thereof;

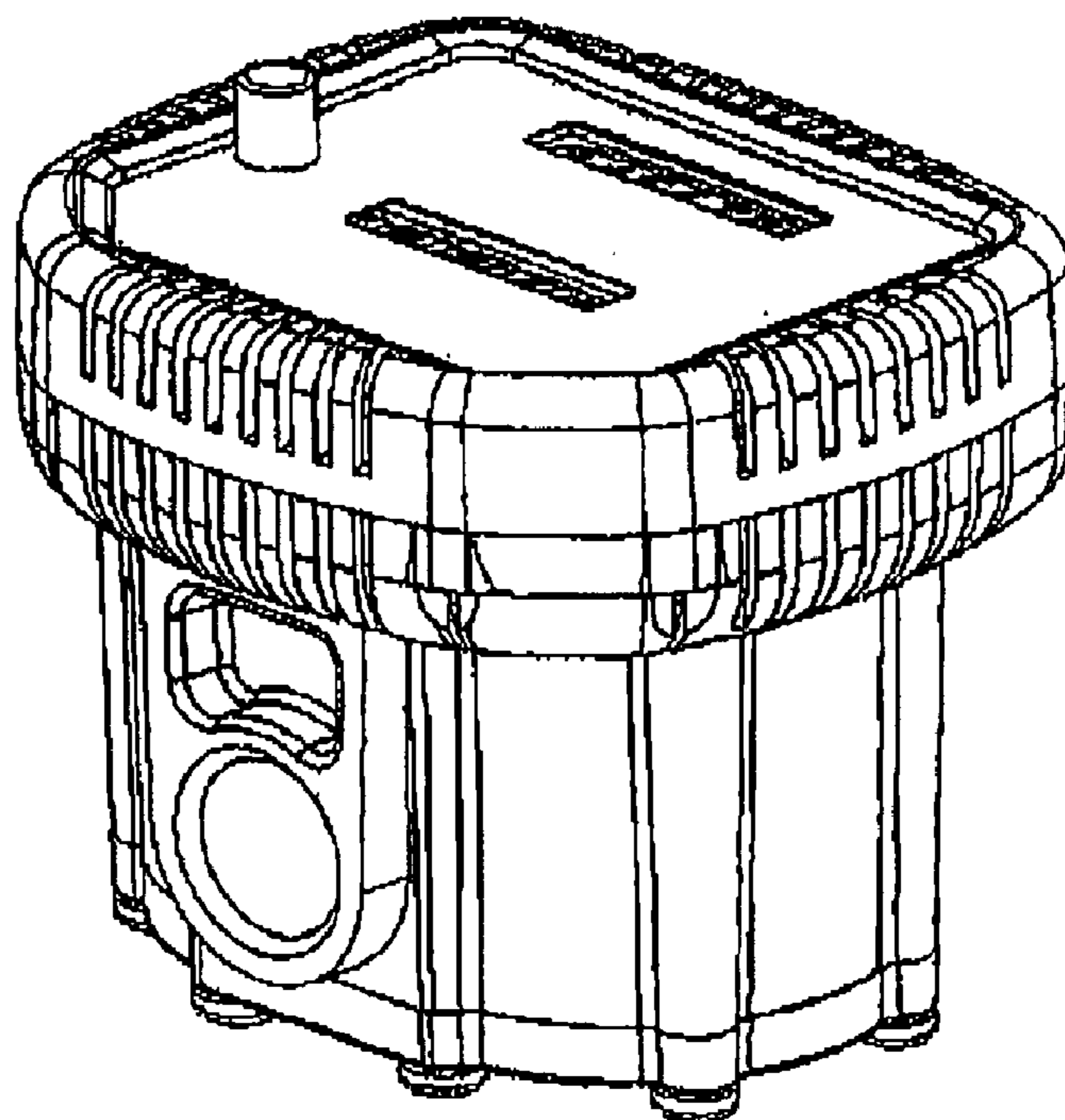
FIG. 6 is a second side elevation view thereof;

FIG. 7 is an end elevation view thereof; and,

FIG. 8 is a second end elevation view thereof.

The broken line showing of numbers are included for the purpose of illustrating non-claimed subject matter and forms no part of the claimed design.

1 Claim, 4 Drawing Sheets



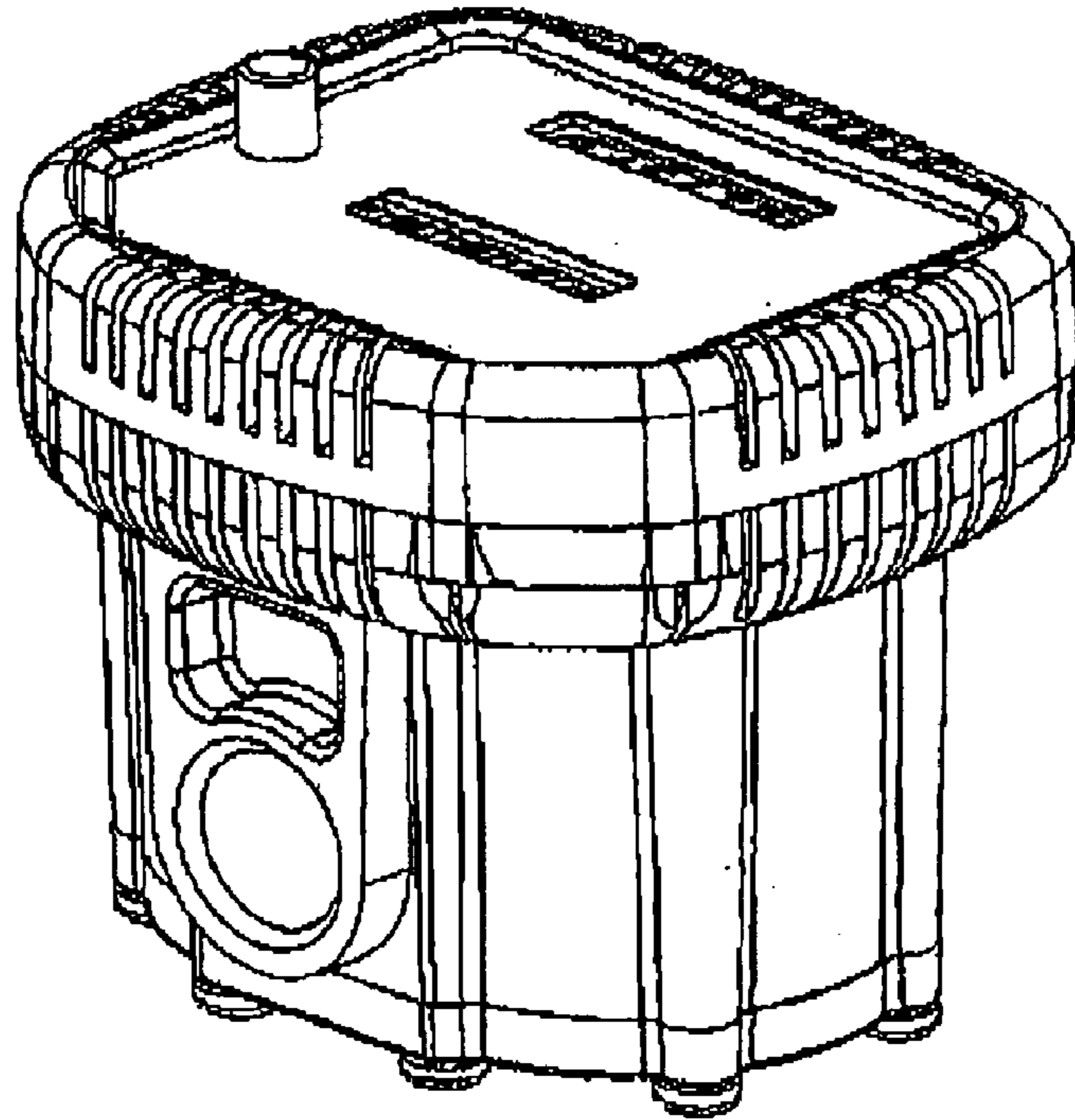


FIG. 1

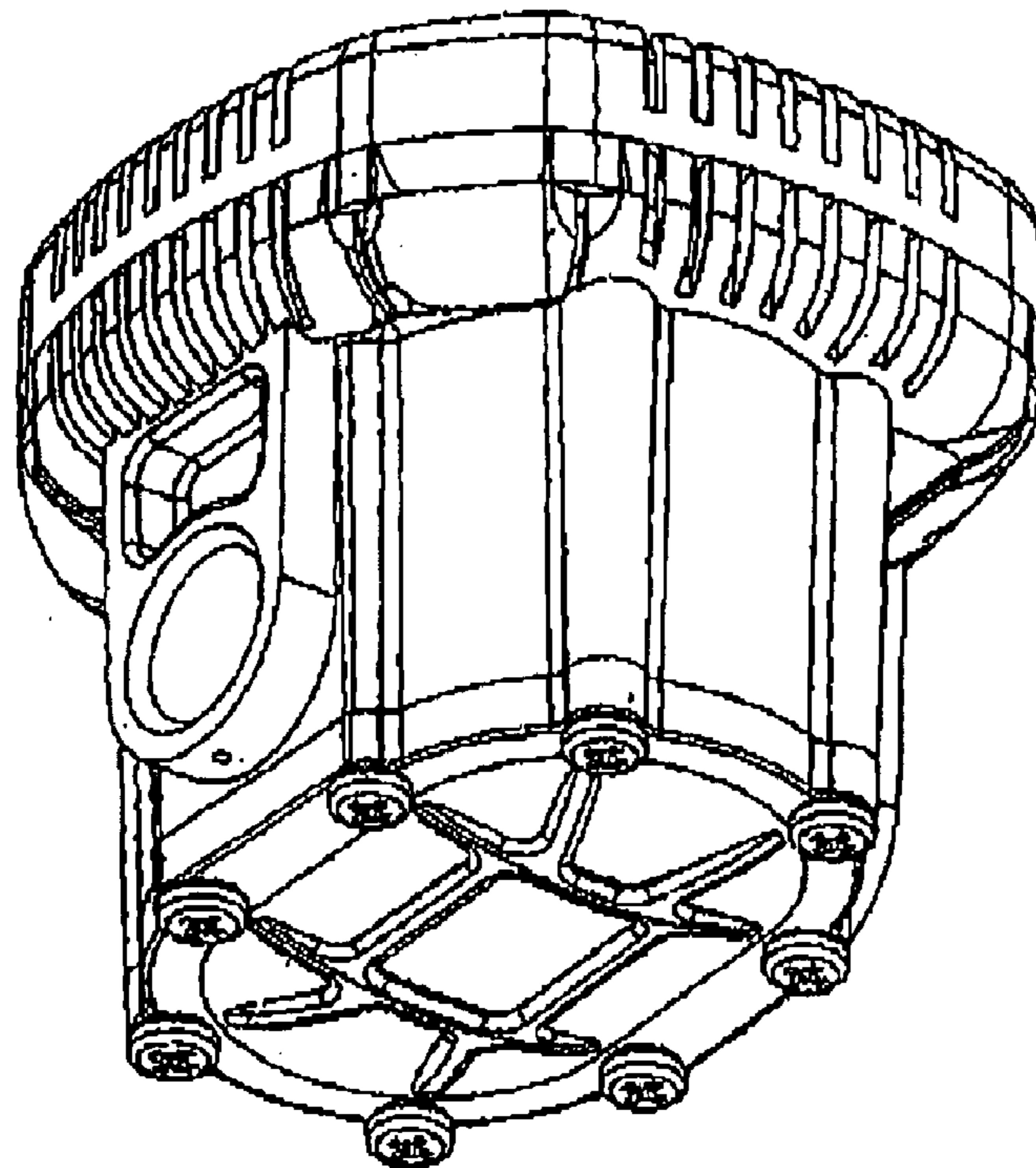


FIG. 2

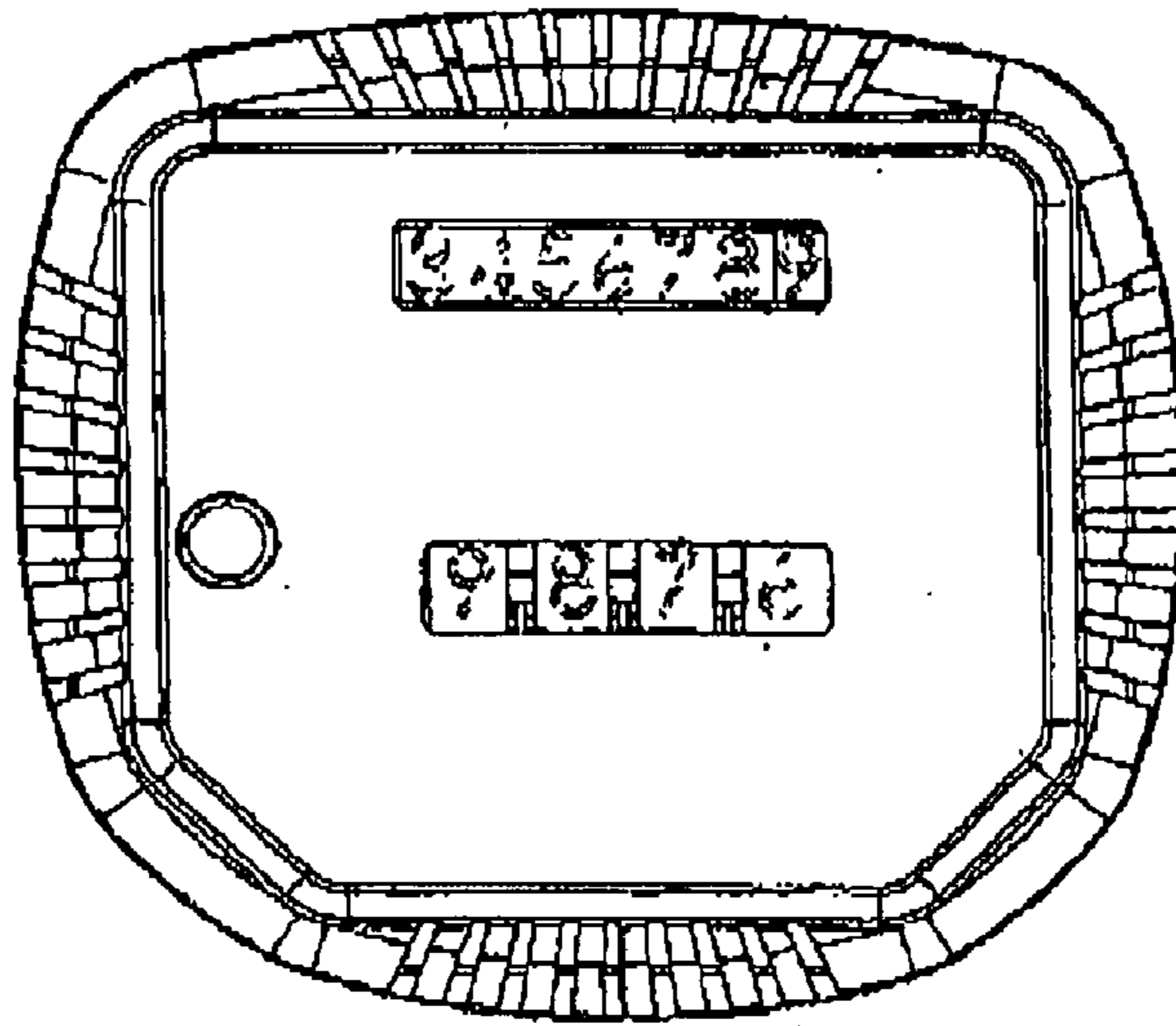


FIG. 3

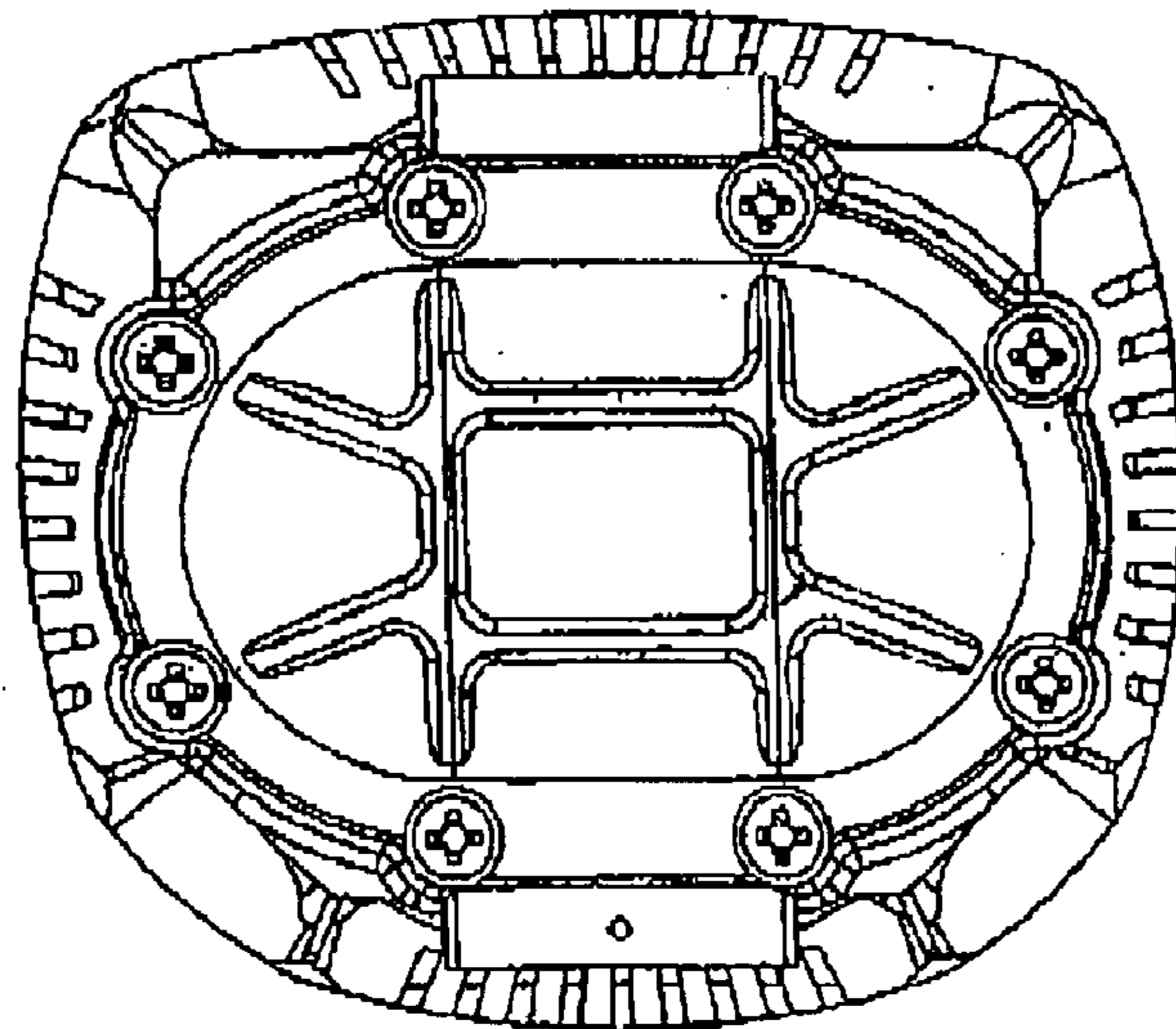


FIG. 4

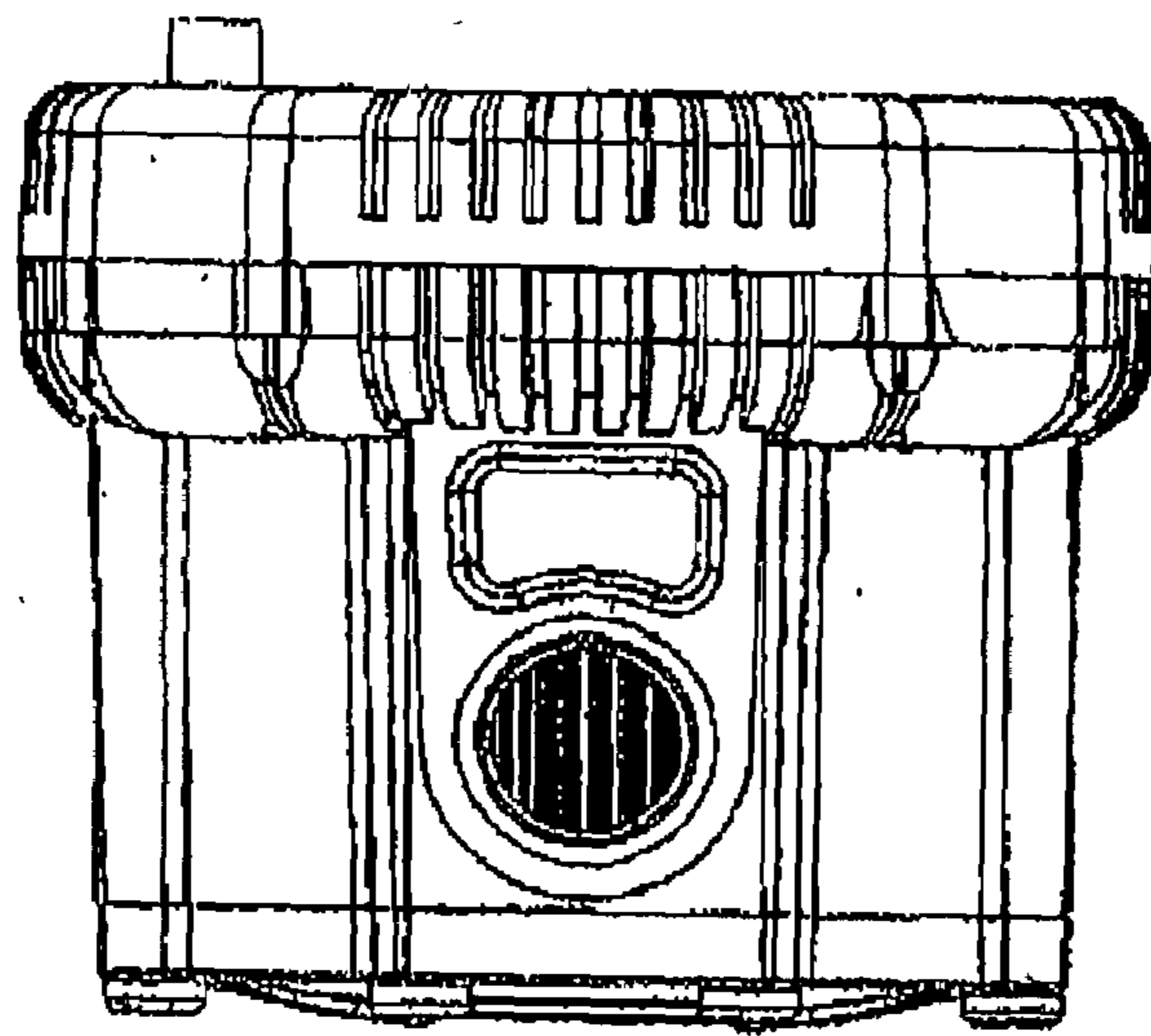


FIG. 5

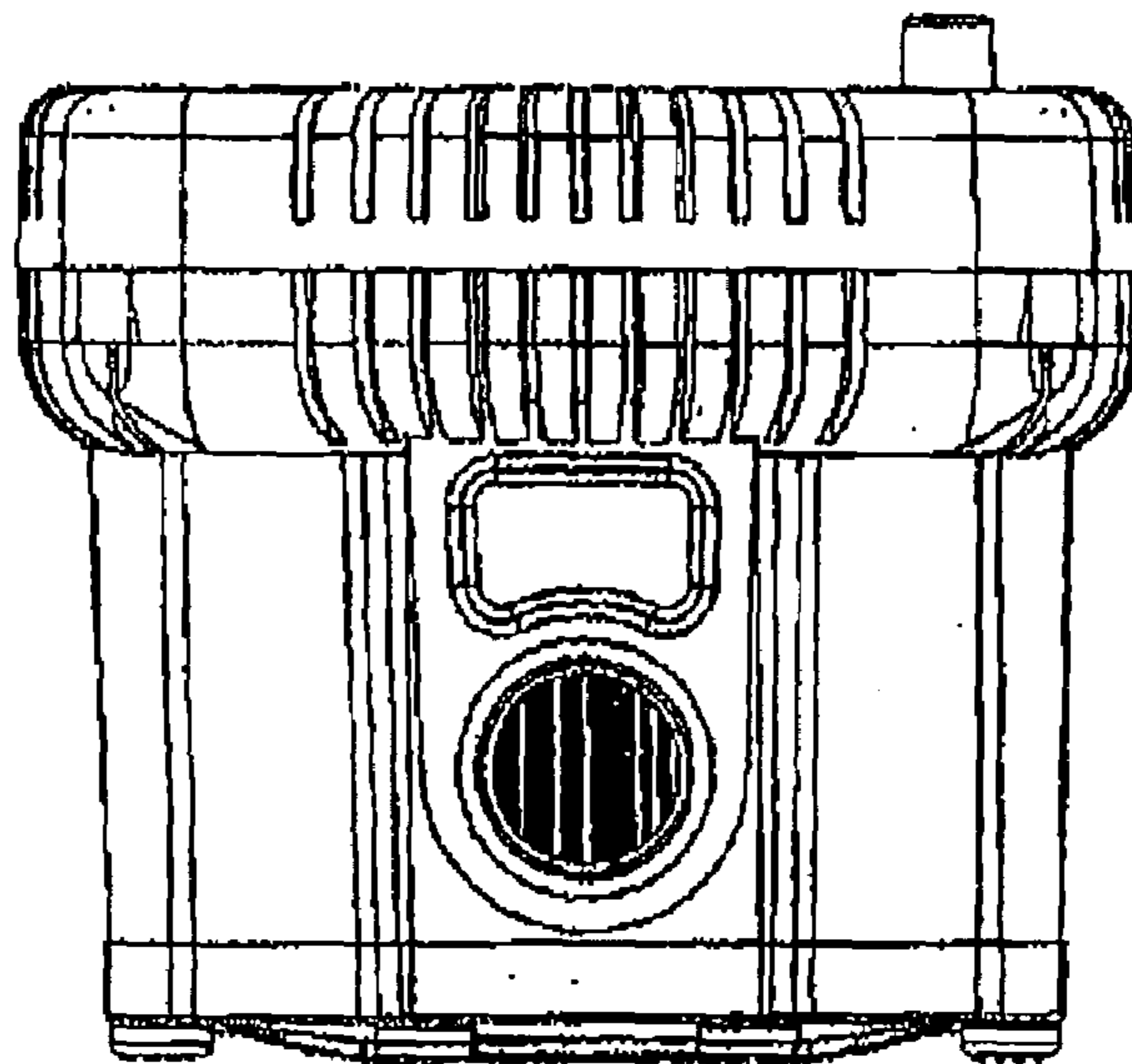


FIG. 6

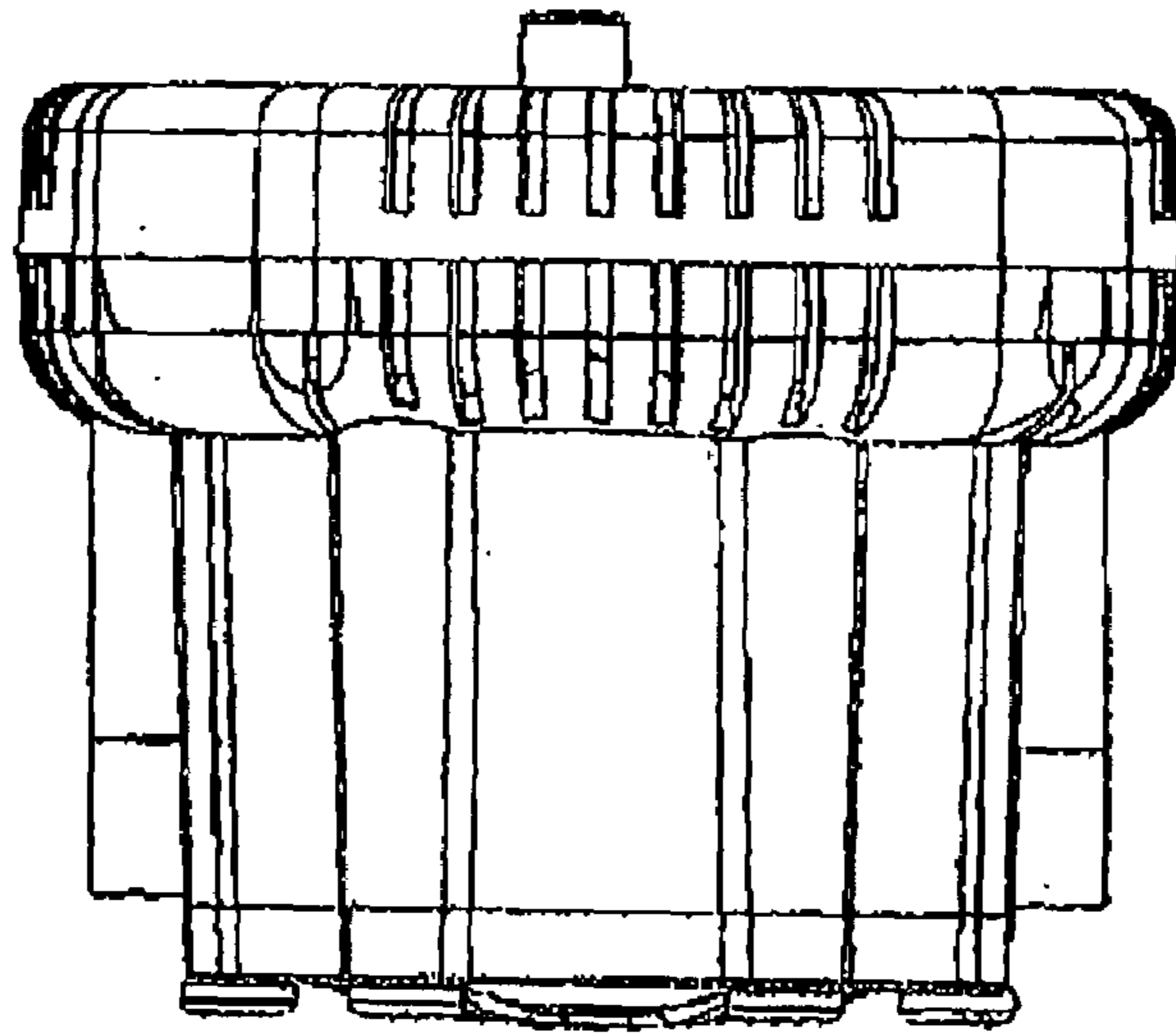


FIG. 7

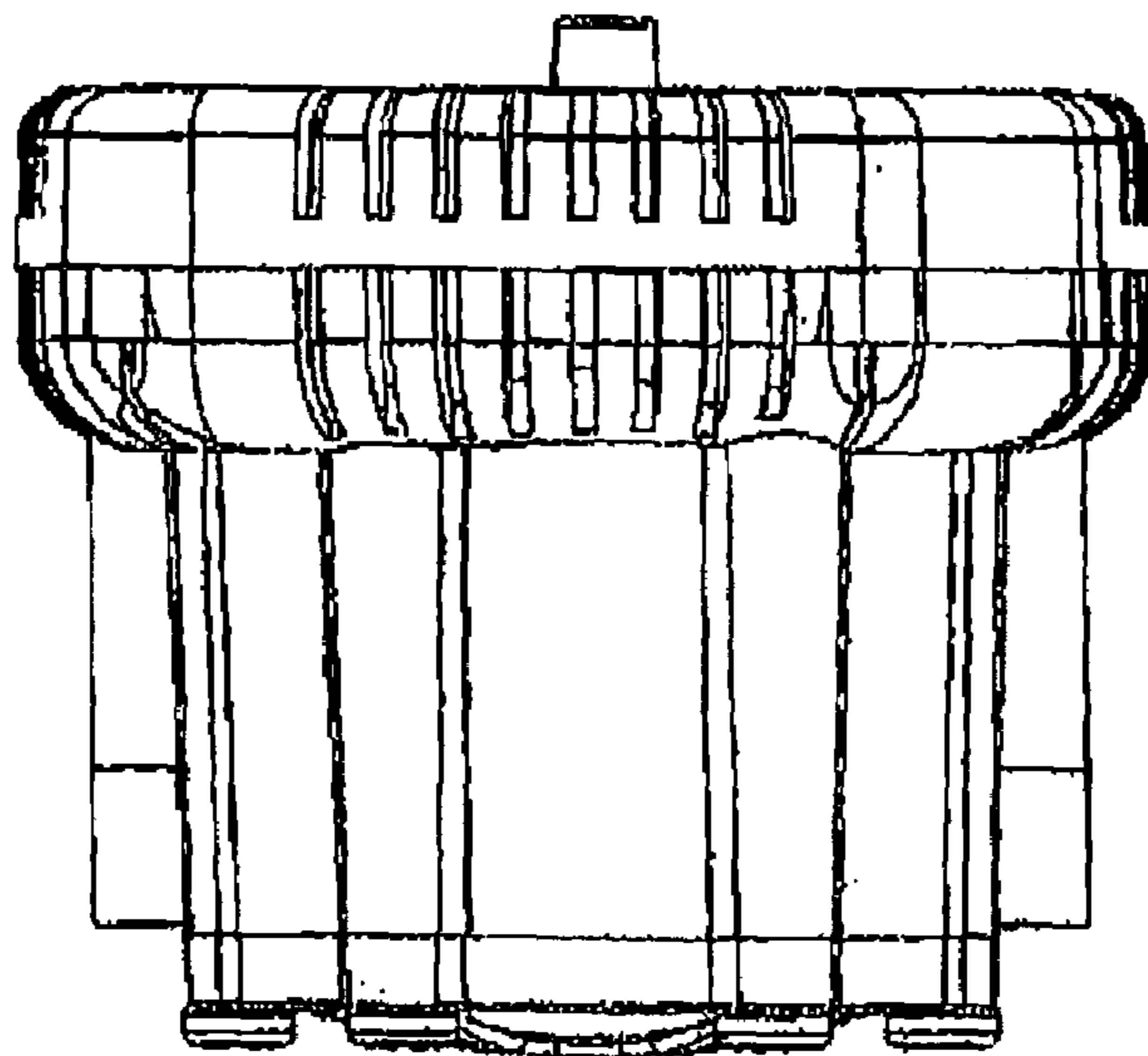


FIG. 8

UNITED STATES PATENT AND TRADEMARK OFFICE
CERTIFICATE OF CORRECTION

PATENT NO. : Des. 556,616 S
APPLICATION NO. : 29/266368
DATED : December 4, 2007
INVENTOR(S) : Warren John Preston and Peter Robert Kerr

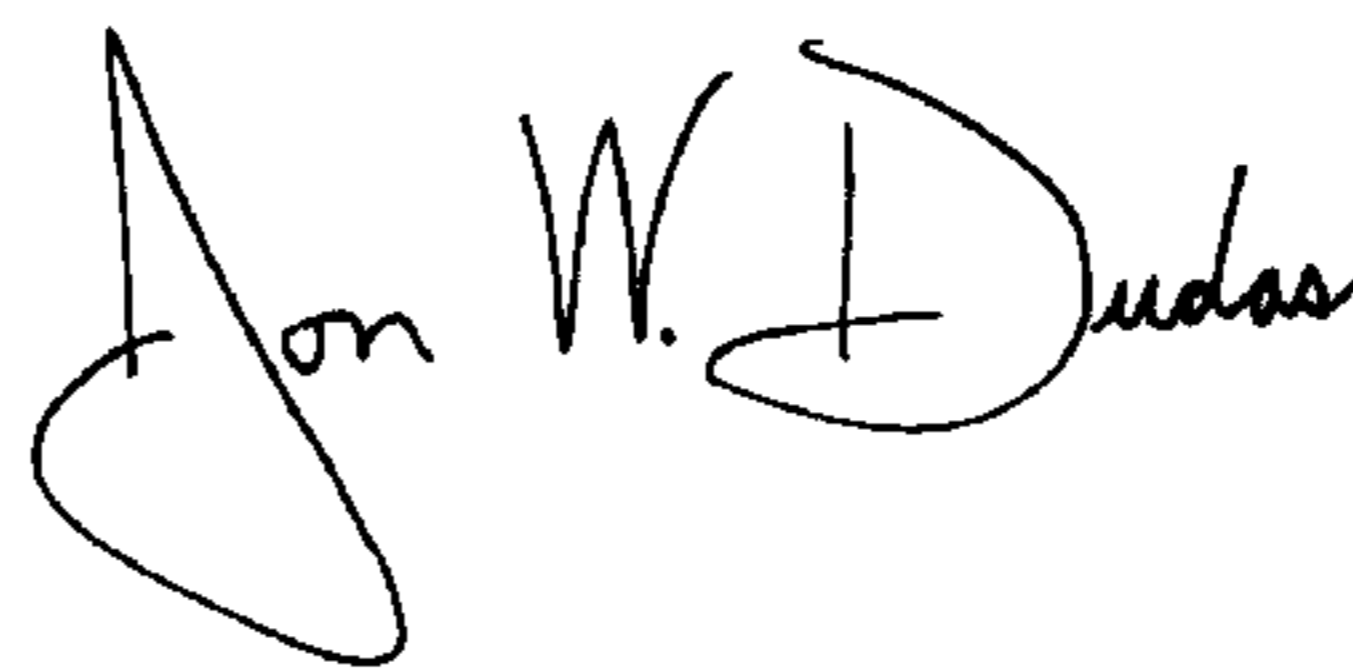
Page 1 of 1

It is certified that error appears in the above-identified patent and that said Letters Patent is hereby corrected as shown below:

On the title page, item:
(73) Assignee: MacNaught Pty Ltd.
New South Wales (AU)

Signed and Sealed this

Twenty-ninth Day of April, 2008

A handwritten signature in black ink that reads "Jon W. Dudas". The signature is written in a cursive style with a large, looped initial "J".

JON W. DUDAS
Director of the United States Patent and Trademark Office