



US00D556615S

(12) **United States Design Patent**  
**Sutherland et al.**

(10) **Patent No.:** **US D556,615 S**  
(45) **Date of Patent:** **\*\* Dec. 4, 2007**

(54) **FLOWMETER**

(75) Inventors: **James Sutherland**, Terrebonne, OR (US); **Andy Moore**, Corvallis, OR (US)

(73) Assignee: **Precise Flight, Inc.**, Bend, OR (US)

(\*\*) Term: **14 Years**

(21) Appl. No.: **29/258,936**

(22) Filed: **Apr. 27, 2006**

(51) **LOC (8) Cl.** ..... **10-04**

(52) **U.S. Cl.** ..... **D10/96**

(58) **Field of Classification Search** ..... D10/96;  
73/861.55, 861.72, 861.74, 861.355, 861.357  
See application file for complete search history.

(56) **References Cited**

**U.S. PATENT DOCUMENTS**

4,138,890	A *	2/1979	Brown	.....	D10/96
4,158,360	A *	6/1979	Adams	.....	73/861.55
4,317,375	A *	3/1982	Egert	.....	73/861.55
6,644,132	B1 *	11/2003	Baumoel	.....	73/861.74

\* cited by examiner

*Primary Examiner*—Antoine D. Davis

(74) *Attorney, Agent, or Firm*—Chernoff, Vilhauer, McClung & Stenzel, LLP

(57) **CLAIM**

The ornamental design for a flowmeter, as shown and described.

**DESCRIPTION**

FIG. 1. is a left side perspective view of the flowmeter of our new design;

FIG. 2. is a left side elevation view thereof, the right side elevation view being the same;

FIG. 3 is a front elevation view thereof;

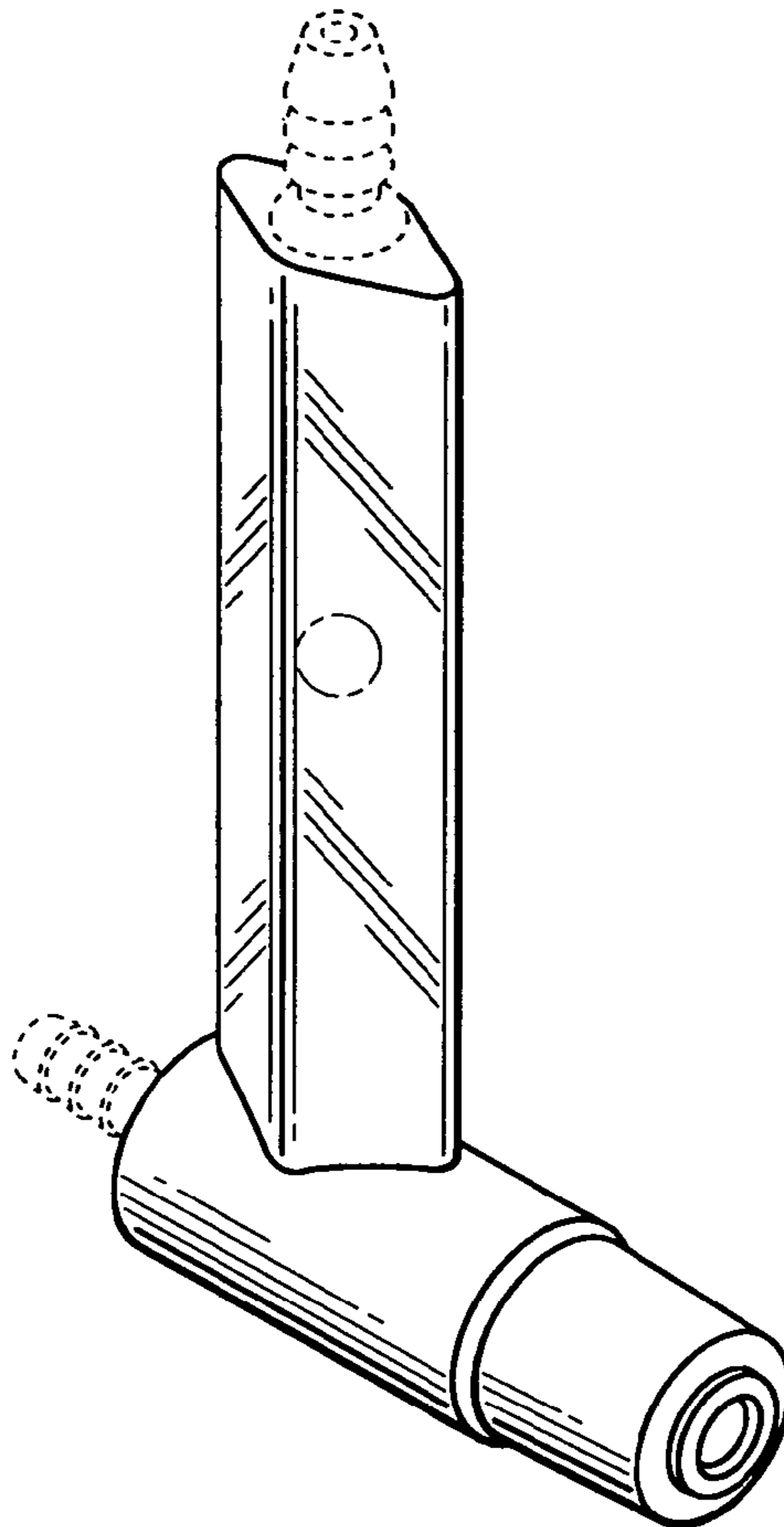
FIG. 4 is a rear elevation view thereof;

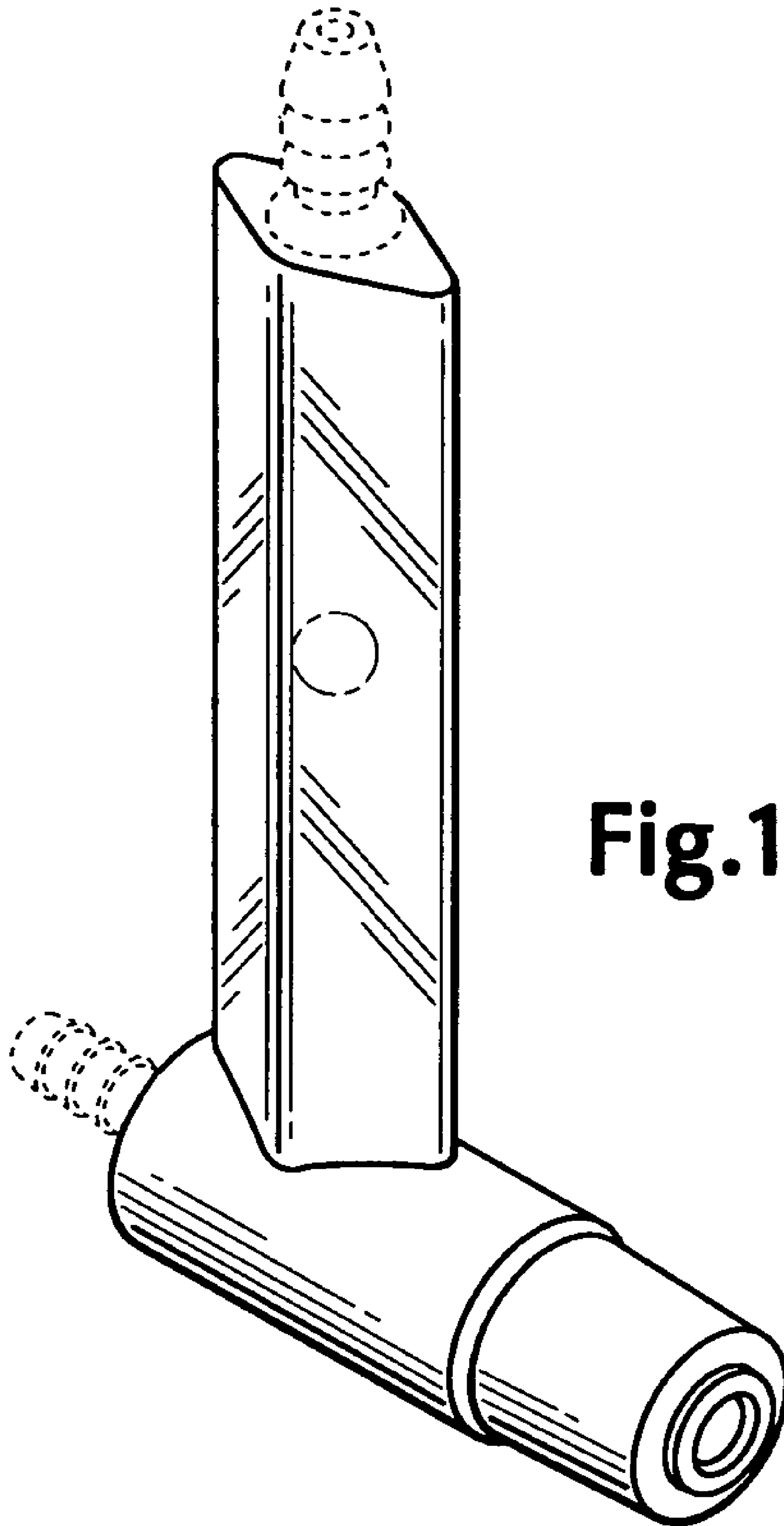
FIG. 5 is a top view thereof; and,

FIG. 6 is a bottom view thereof.

The broken line showing of components of a flowmeter are included for the purpose of illustrating non-claimed subject matter and forms no part of the claimed design.

**1 Claim, 2 Drawing Sheets**





**Fig. 1**

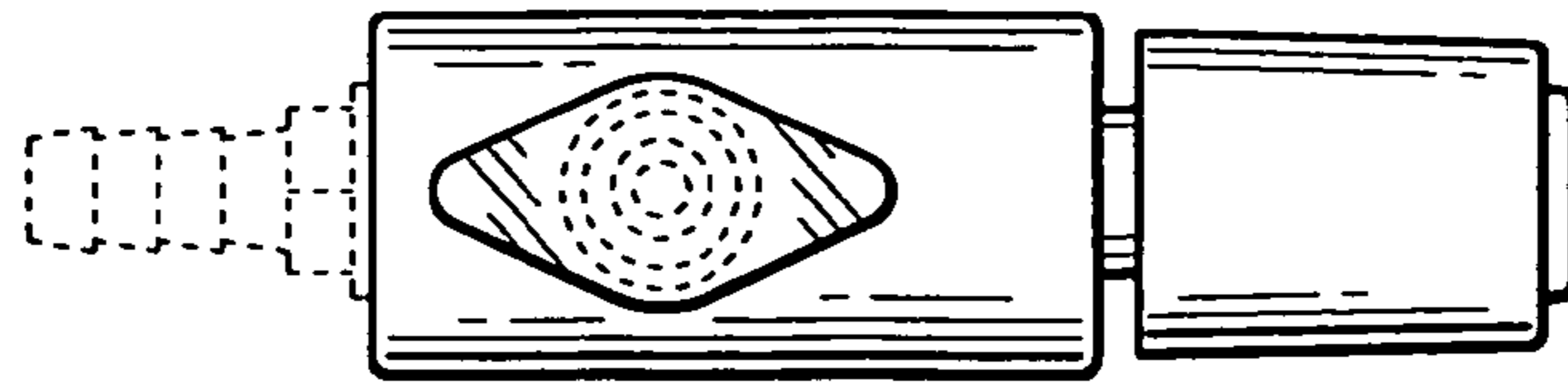


Fig.5

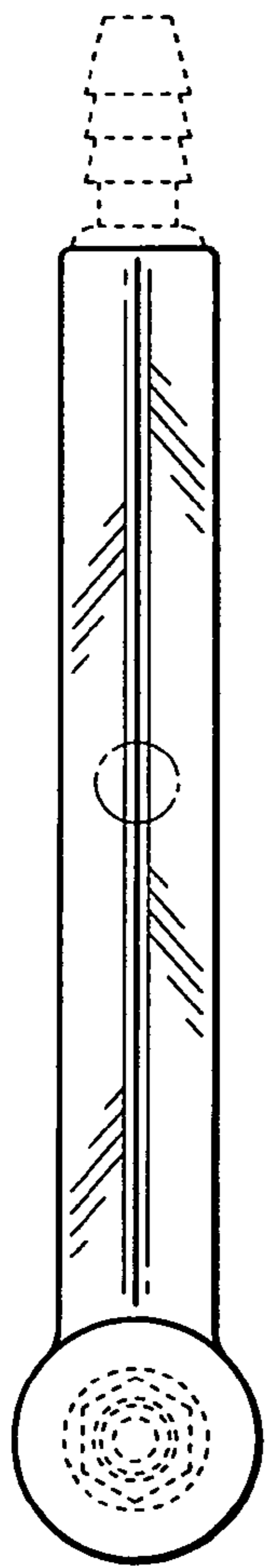


Fig.3

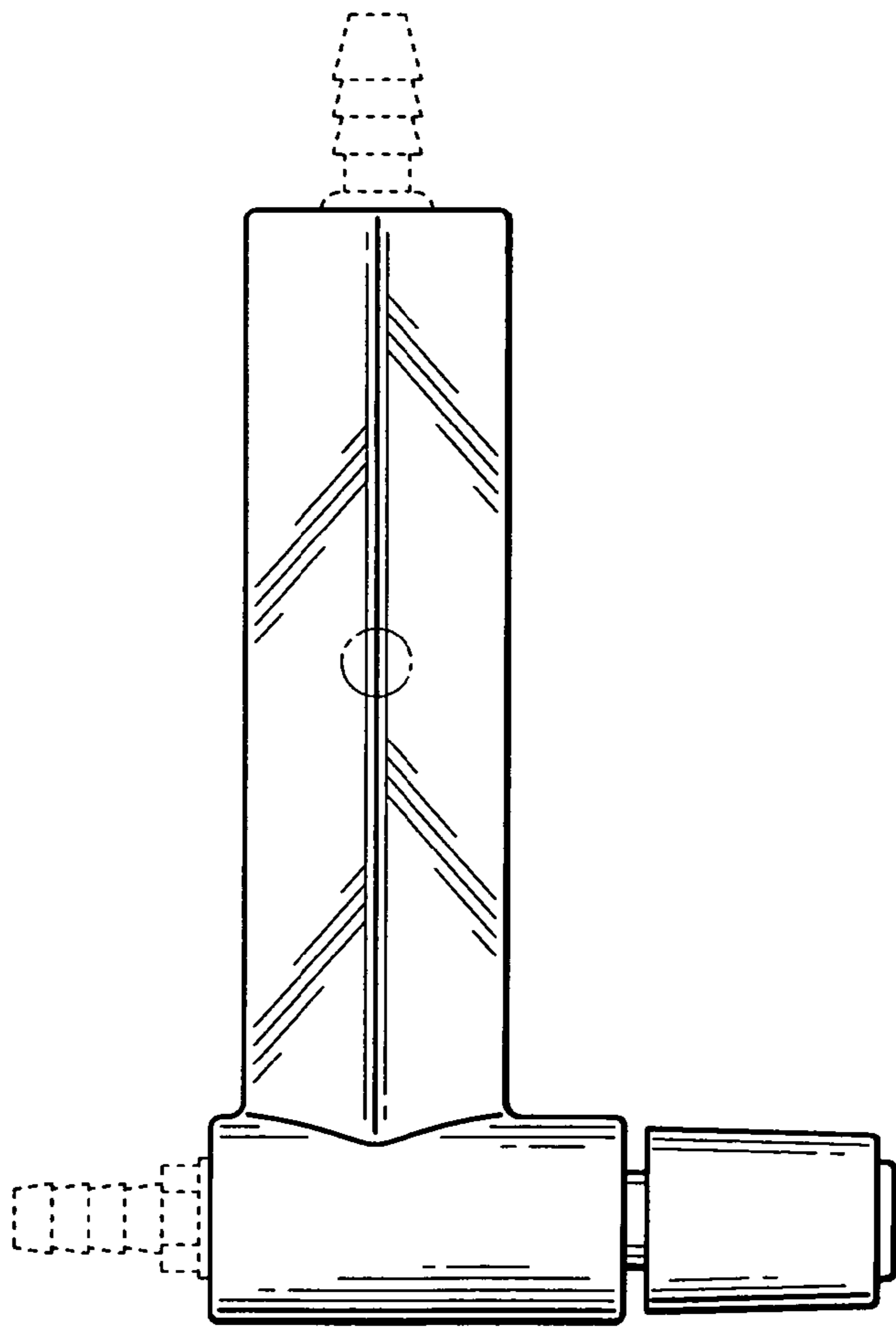


Fig.2

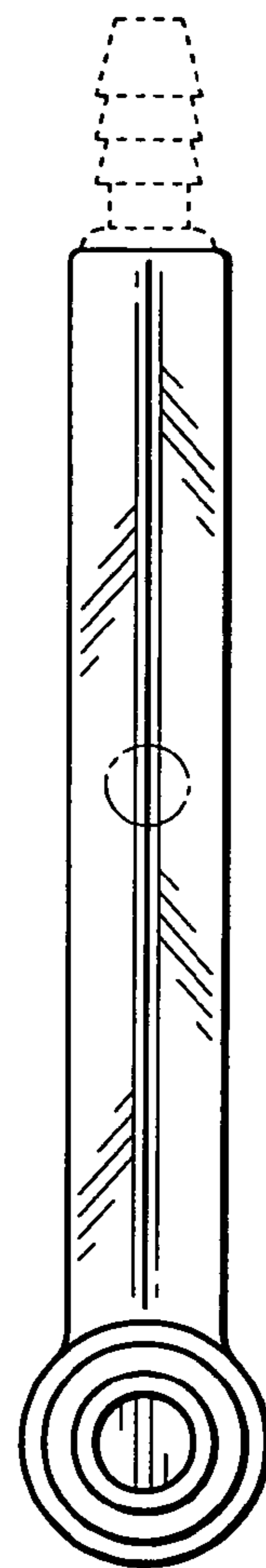


Fig.4

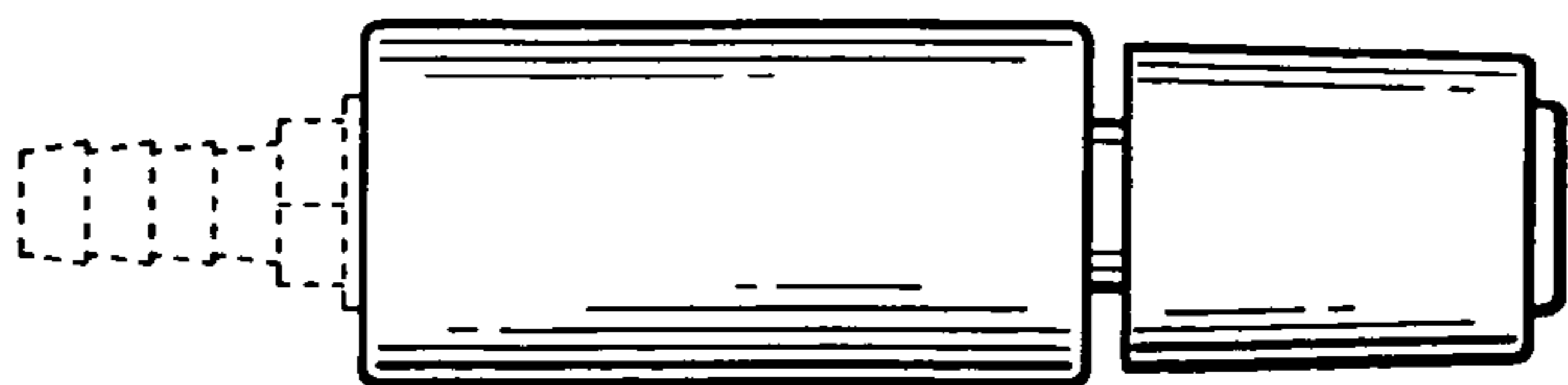


Fig.6