



US00D556614S

(12) **United States Design Patent**
Bhavnani

(10) **Patent No.:** **US D556,614 S**

(45) **Date of Patent:** **** Dec. 4, 2007**

(54) **CALCULATOR RULER**

Primary Examiner—Antoine D. Davis
(74) *Attorney, Agent, or Firm*—The Soni Law Firm

(75) Inventor: **Dilip Bhavnani**, Beverly Hills, CA
(US)

(57) **CLAIM**

(73) Assignee: **Sun Coast Merchandise Corporation**,
Commerce, CA (US)

The ornamental design for a calculator ruler, as shown and described.

(**) Term: **14 Years**

DESCRIPTION

(21) Appl. No.: **29/250,781**

(22) Filed: **Nov. 30, 2006**

(51) **LOC (8) Cl.** **10-04**

(52) **U.S. Cl.** **D10/71**

(58) **Field of Classification Search** D10/71;
33/484-495; D18/2

See application file for complete search history.

FIG. 1 is a front side perspective view of my new design with the phantom lines depicting environmental structure and forming no part of the claimed design;

FIG. 2 is a front elevational view thereof with the phantom lines depicting environmental structure and forming no part of the claimed design;

FIG. 3 is a bottom plan view thereof;

FIG. 4 is a left side elevational view thereof;

FIG. 5 is a right side elevational view thereof;

FIG. 6 is a back elevational view thereof;

FIG. 7 is a top plan view thereof; and,

FIG. 8 is a cross-sectional view thereof taken along lines 8—8 of FIG. 1.

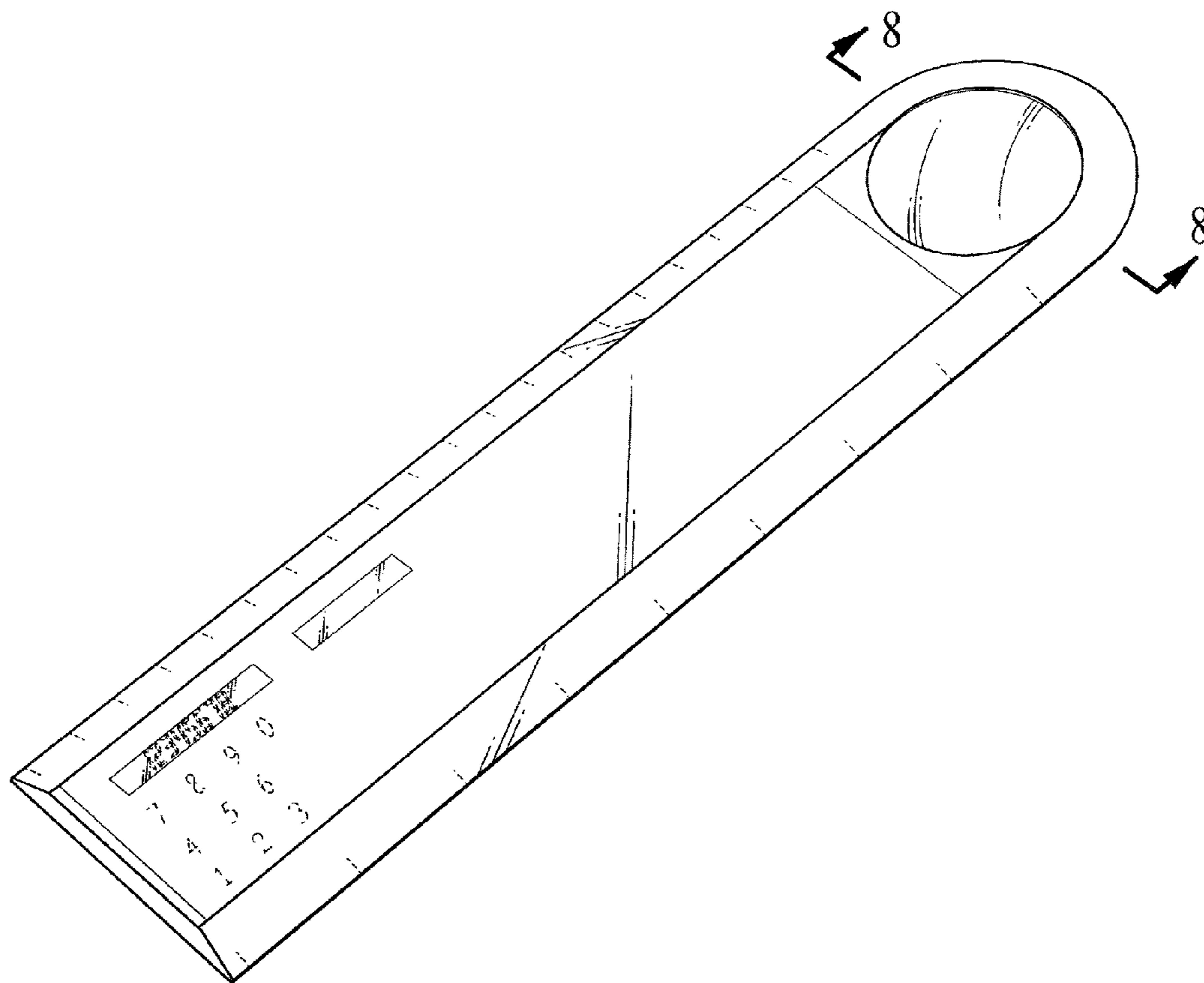
(56) **References Cited**

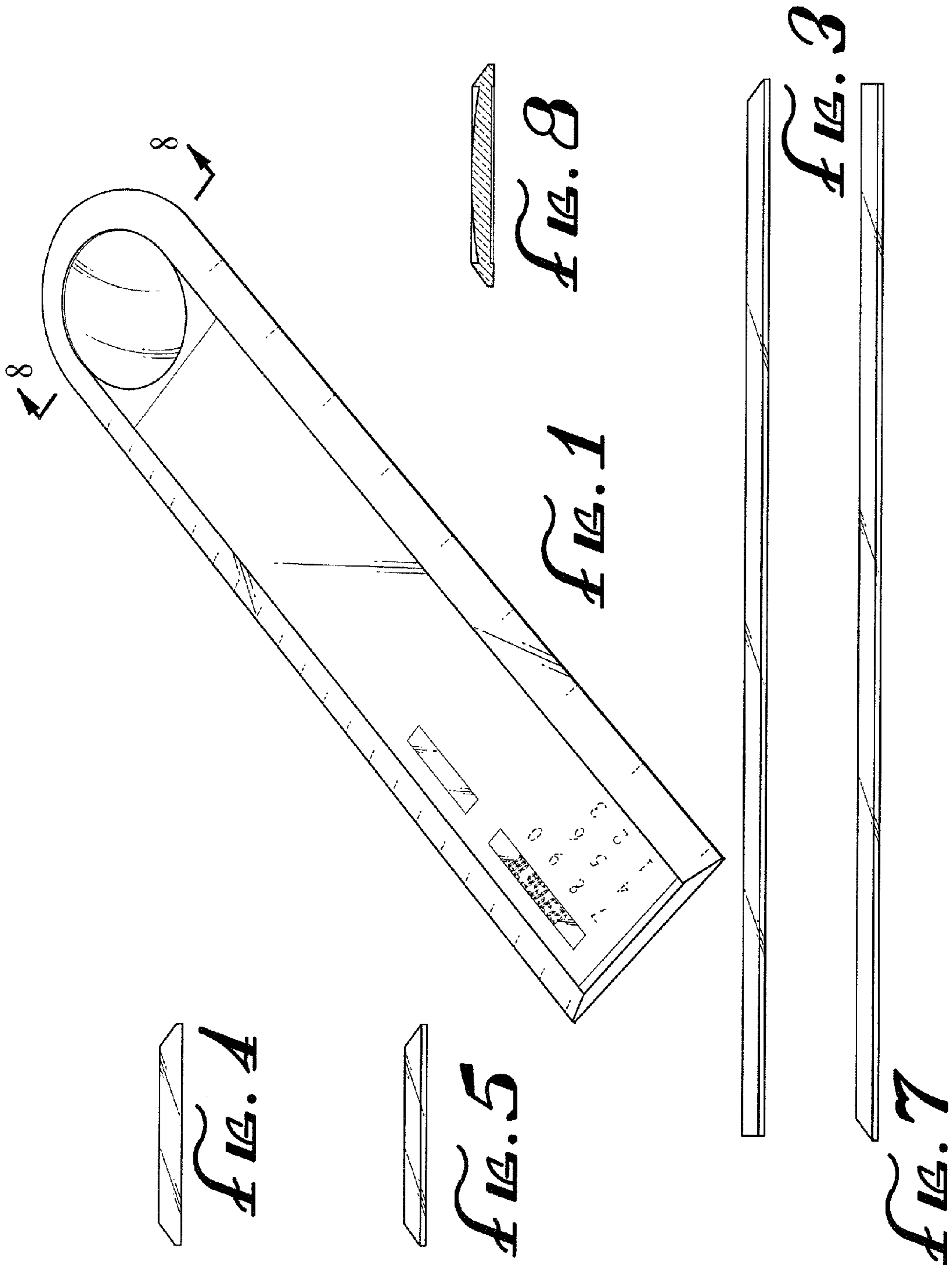
U.S. PATENT DOCUMENTS

373,597 A *	11/1887	McMicken	33/1 BB
1,496,485 A *	6/1924	Schmidtke	33/484
D260,005 S *	7/1981	Sandfield	D10/71
D378,359 S *	3/1997	Stoneberg	D10/68
D510,042 S	9/2005	Bhavnani		

* cited by examiner

1 Claim, 2 Drawing Sheets





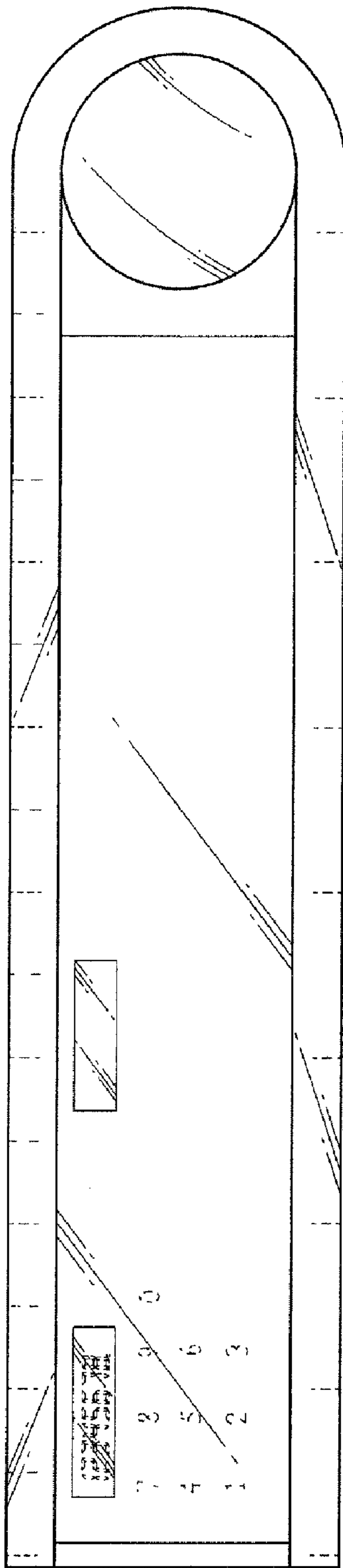


FIG. 2

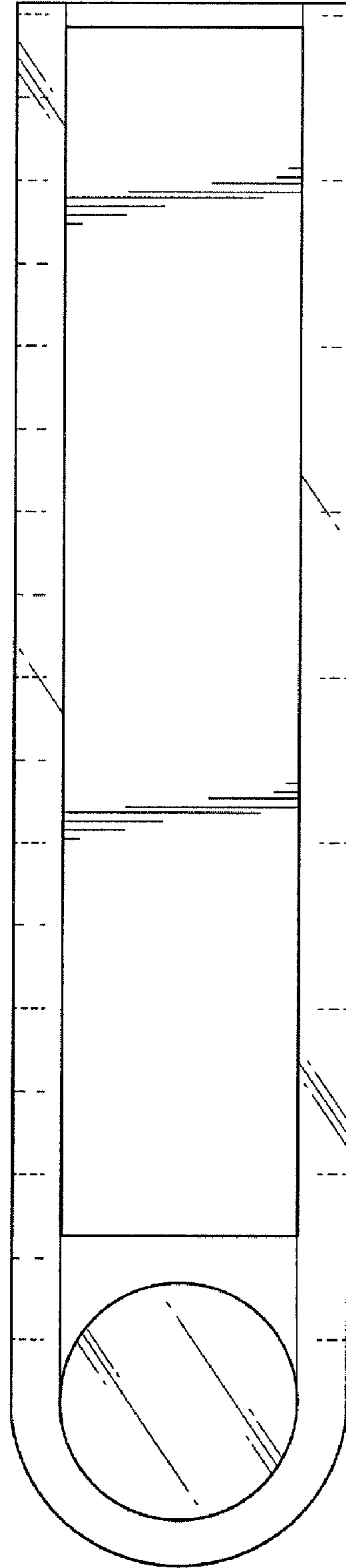


FIG. 1