



US00D556610S

(12) **United States Design Patent** (10) **Patent No.:** **US D556,610 S**  
**Kautz et al.** (45) **Date of Patent:** **\*\* Dec. 4, 2007**

(54) **TEMPERATURE SENSING DEVICE**

D528,021 S \* 9/2006 Hedderich et al. .... D10/49  
D532,874 S \* 11/2006 Hoernig ..... D23/254  
2006/0074586 A1 4/2006 Kautz et al.

(75) Inventors: **Thomas O. Kautz**, Mequon, WI (US);  
**Fabio Di Liberto**, Milan (IT); **Jens Roeper**, Waging am See (DE); **Herbert J. Doll**, Milan (IT); **Mauro De Falco**, Cologno Monzese MI (IT); **Marcello Passoni**, Vimercate (IT)

**FOREIGN PATENT DOCUMENTS**

DE 19800753 A1 7/1999  
DE 10139705 A1 4/2003  
EP 0756161 A1 1/1997  
GB 2131175 A 6/1984

(73) Assignee: **Johnson Controls Technology Company**, Holland, MI (US)

**OTHER PUBLICATIONS**

German Patent Search Report, date of mailing Mar. 15, 2006, 3 pages.  
FR-H1/T1 Room sensor for humidity and temperature, Nov. 1998, 4 pages, CA1N1856E, Siemens Building Technologies, Landis & Staefa Division.  
“FR-H1/T1 Room sensor for humidity and temperature.” Siemens Building Technologies, Landis & Staefa Division, © 1998 Siemens Building Technologies Ltd., 5 pages.

(\*\*) Term: **14 Years**

\* cited by examiner

(21) Appl. No.: **29/239,658**

*Primary Examiner*—Antoine D. Davis  
(74) *Attorney, Agent, or Firm*—Foley & Lardner LLP

(22) Filed: **Sep. 30, 2005**

**Related U.S. Application Data**

(63) Continuation-in-part of application No. 10/801,313, filed on Mar. 16, 2004.

(51) **LOC (8) Cl.** ..... **10-04**

(52) **U.S. Cl.** ..... **D10/60**

(58) **Field of Classification Search** ..... D10/49–51, D10/60; D13/158, 122; D14/222; D23/249, D23/260; 92/42; 200/5 A, 83 B, 83 J, 83 N, 200/83 P, 83 R, 83 Y, 517, 520; 236/46 R, 236/47, 49.3, 51, 84, 94; 374/134, 139; 400/485; 702/130

See application file for complete search history.

(57) **CLAIM**

We claim the ornamental design for a temperature sensing device, as shown and described.

**DESCRIPTION**

FIG. 1 is a perspective view of the temperature sensing device;

FIG. 2 is a front view of the design of FIG. 1;

FIG. 3 is a left view of the design of FIG. 1;

FIG. 4 is a right view of the design of FIG. 1;

FIG. 5 is a top view of the design of FIG. 1; and,

FIG. 6 is a bottom view of the design of FIG. 1.

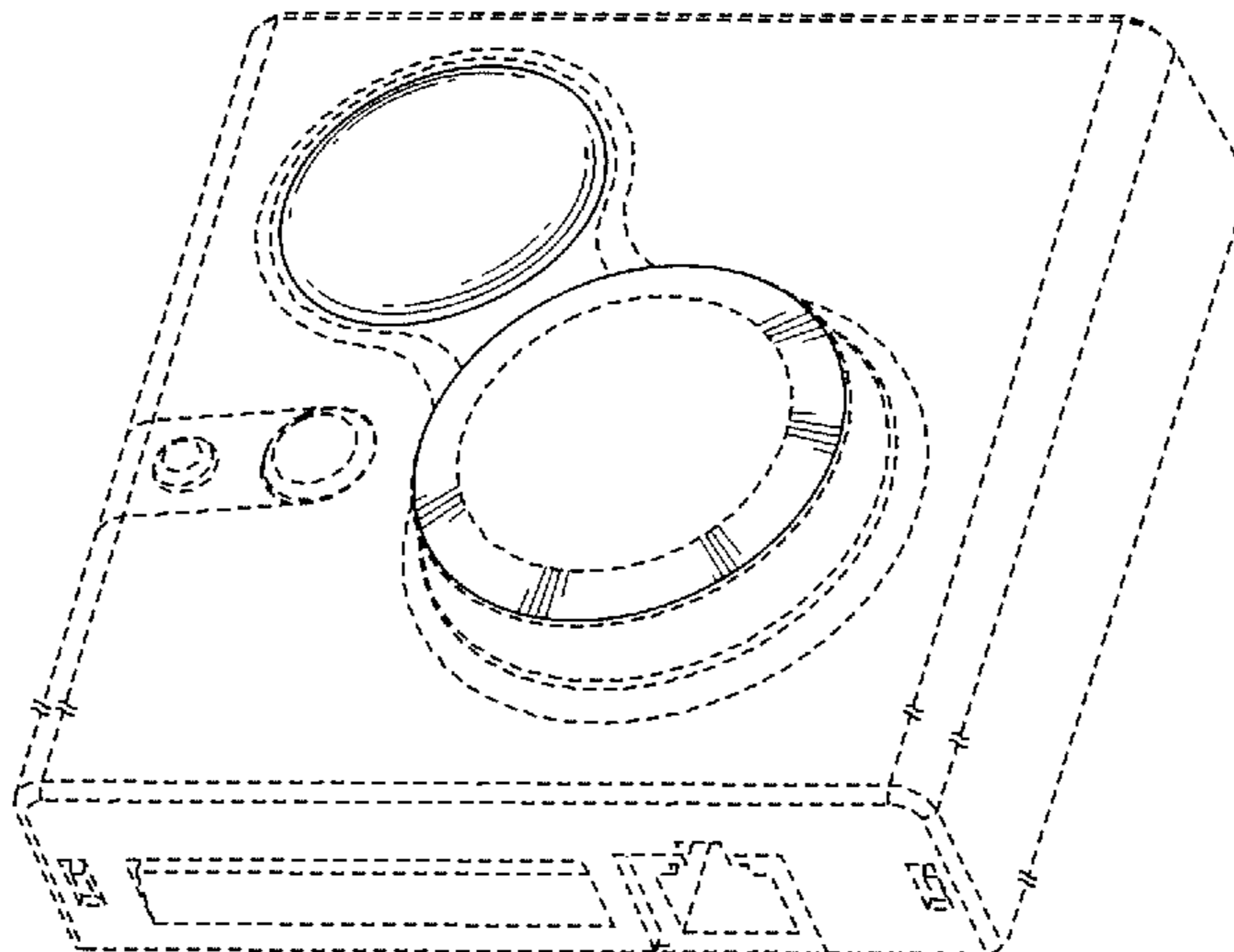
The ornamental design which is claimed is shown in solid lines in the drawings. The broken lines in the drawings are for illustrative purposes only and form no part of the claimed design.

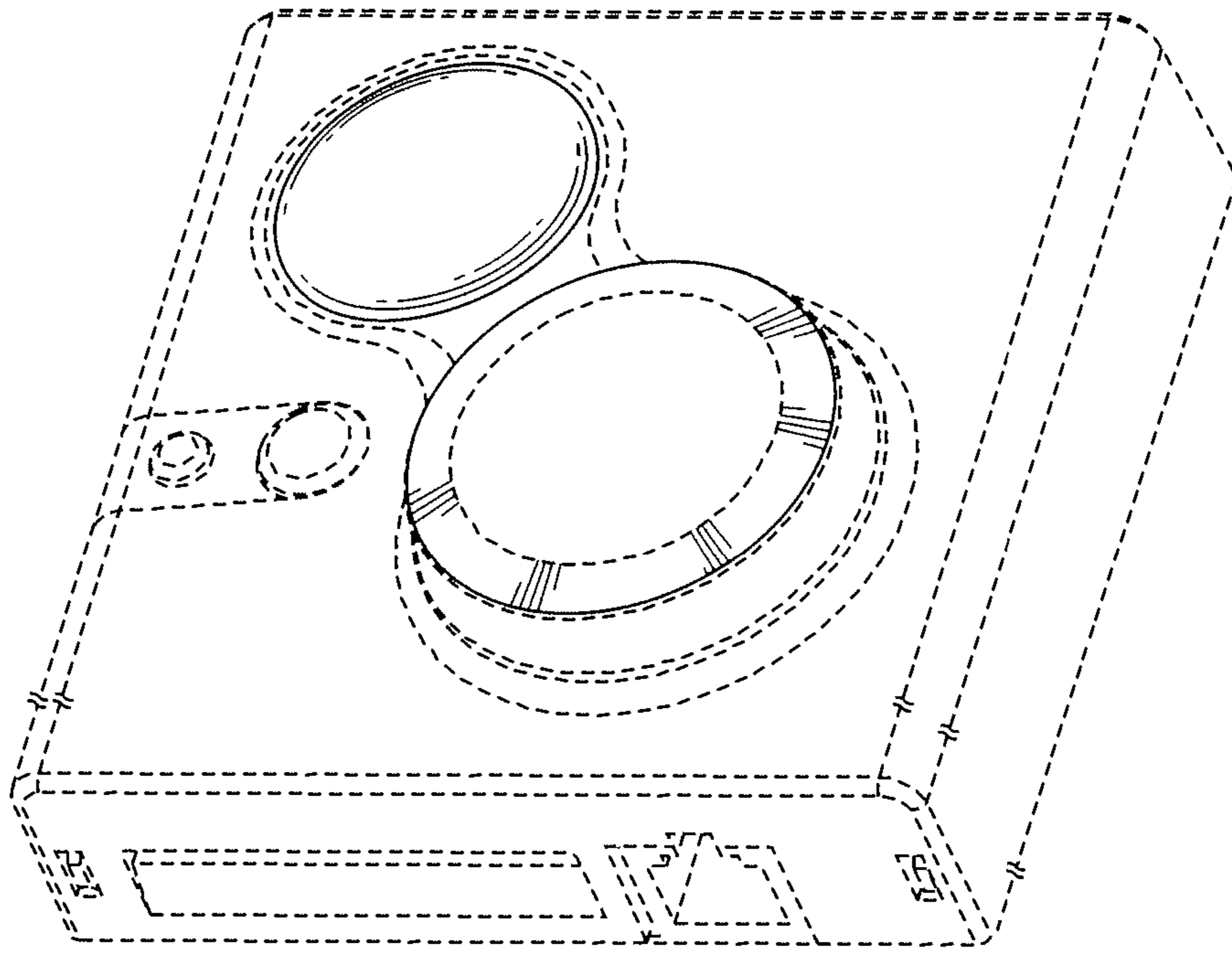
(56) **References Cited**

**U.S. PATENT DOCUMENTS**

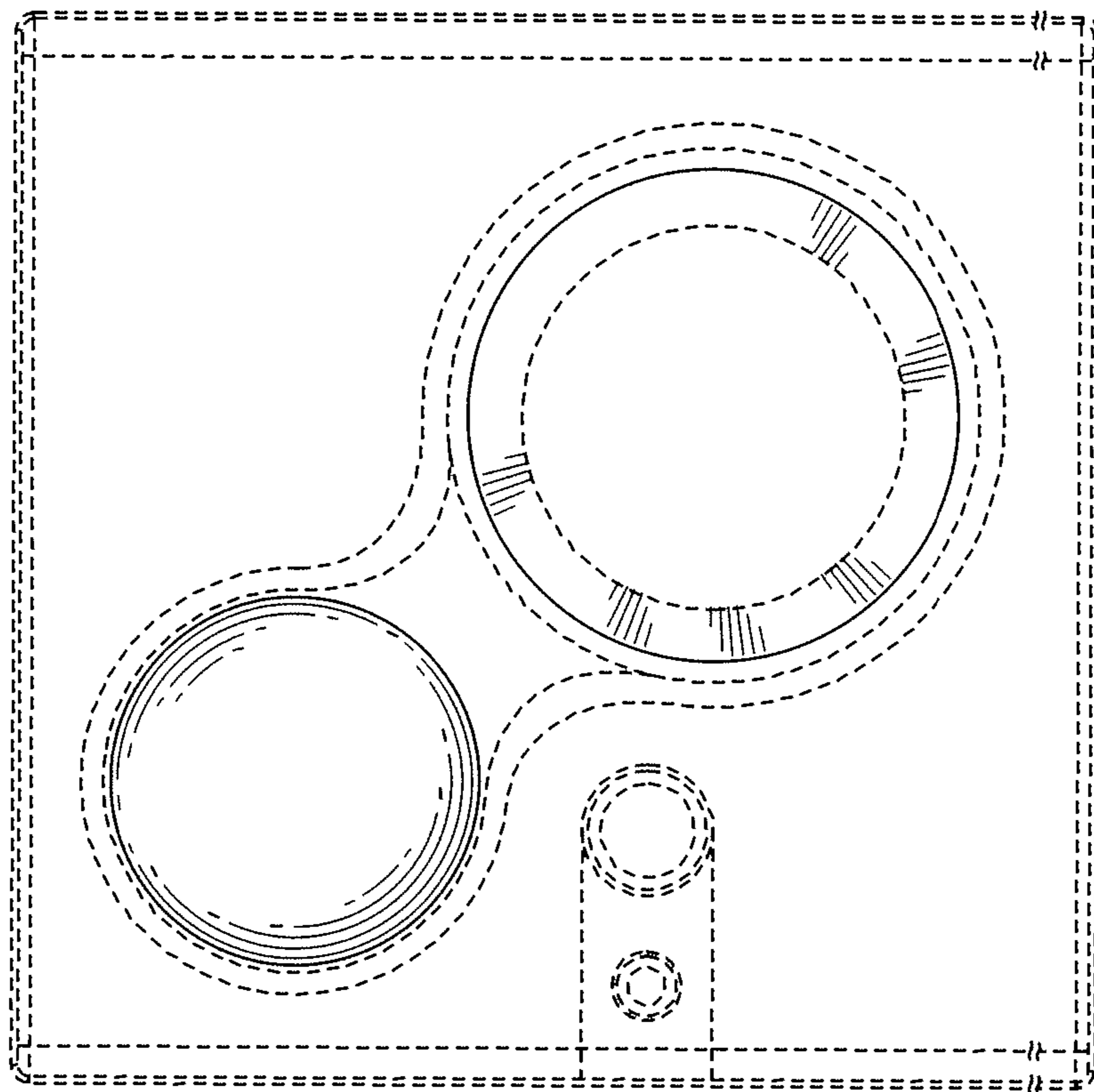
5,055,245 A 10/1991 Hisatomi et al.  
5,216,625 A 6/1993 Rall  
D346,978 S 5/1994 Giese et al.  
D394,220 S \* 5/1998 Morrow et al. .... D10/50  
5,803,357 A 9/1998 Lakin  
D421,966 S \* 3/2000 Allen et al. .... D13/174  
6,220,750 B1 4/2001 Palti  
6,280,397 B1 8/2001 Yarden et al.  
6,695,471 B2 2/2004 Hashimoto et al.  
D496,337 S \* 9/2004 Kaizu et al. .... D13/173

**1 Claim, 2 Drawing Sheets**



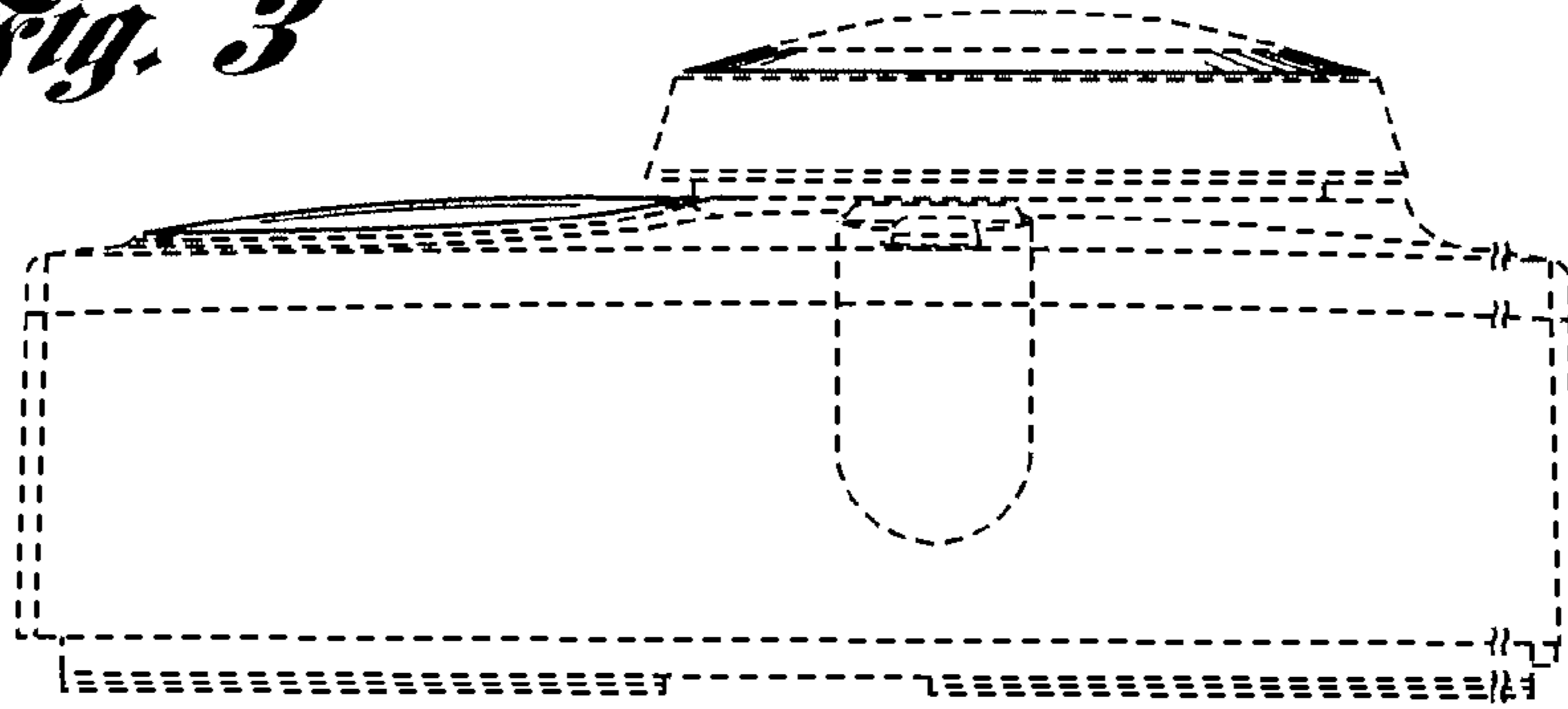


*Fig. 1*

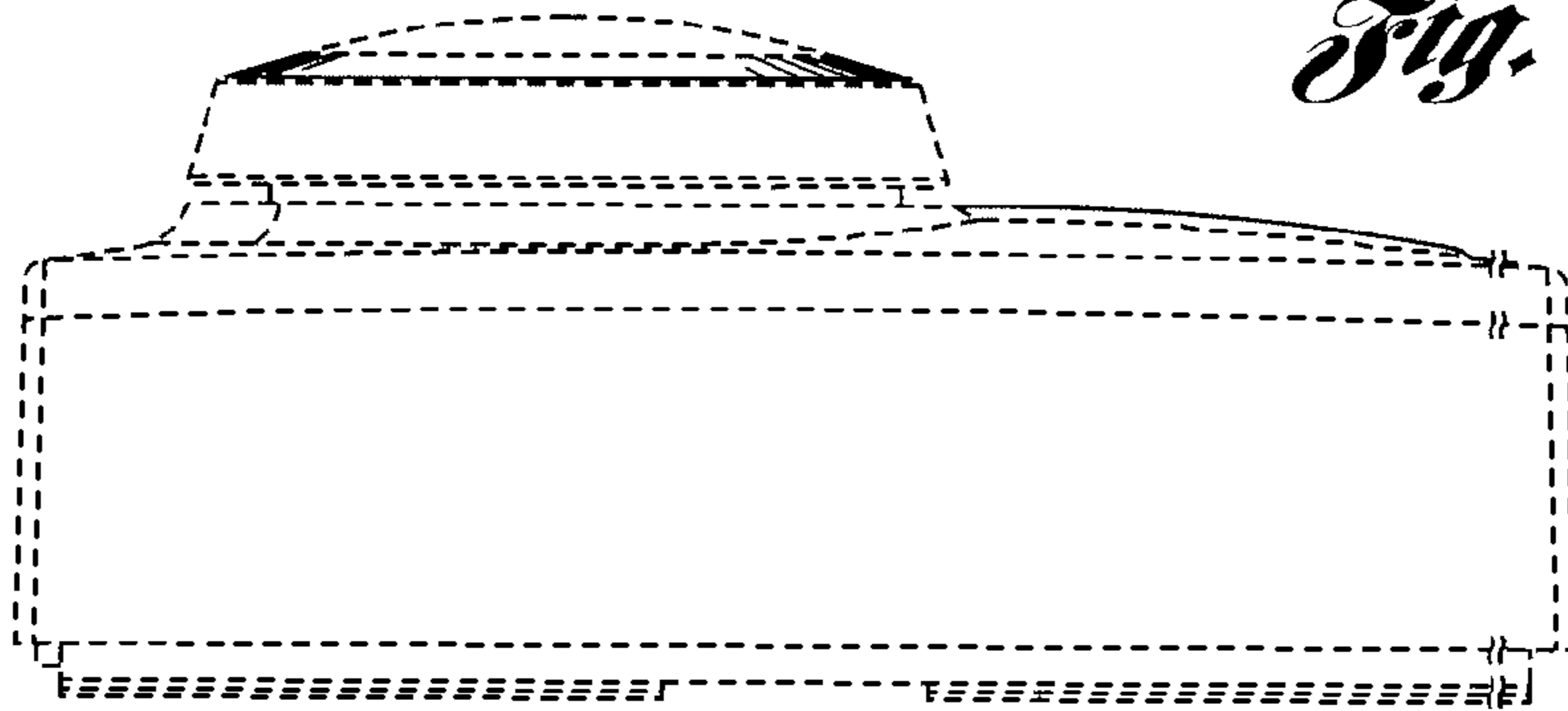


*Fig. 2*

*Fig. 3*



*Fig. 4*



*Fig. 5*

*Fig. 6*

