



US00D556606S

(12) **United States Design Patent**
Stauffer et al.

(10) **Patent No.:** **US D556,606 S**

(45) **Date of Patent:** **** Dec. 4, 2007**

(54) **ELAPSED TIME INDICATOR**

(75) Inventors: **Deborah Joy Stephens Stauffer**,
Cupertino, CA (US); **Kathleen**
McCann Whitehurst, St. Helena, CA
(US)

(73) Assignee: **double u products, inc.**, Cupertino, CA
(US)

(**) Term: **14 Years**

(21) Appl. No.: **29/268,606**

(22) Filed: **Nov. 9, 2006**

(51) **LOC (8) Cl.** **10-03**

(52) **U.S. Cl.** **D10/40; D10/15; D10/41**

(58) **Field of Classification Search** D10/40,
D10/41, 15; 368/285, 276, 316, 317, 97-100,
368/107, 110-113, 82-84, 239-242
See application file for complete search history.

(56) **References Cited**

U.S. PATENT DOCUMENTS

D238,055 S *	12/1975	Seshimo	D10/38
D245,232 S *	8/1977	Quirin	D10/40
D245,582 S *	8/1977	Mox	D10/40
D270,244 S *	8/1983	McCormick	D10/30
4,419,016 A *	12/1983	Zoltan	368/10
D276,219 S *	11/1984	Mox	D10/40
D276,416 S *	11/1984	Mox	D10/40
D282,446 S *	2/1986	Gremontprez et al.	D10/40
D284,358 S *	6/1986	Chan	D10/40
D303,767 S *	10/1989	Baird et al.	D10/30
D334,347 S *	3/1993	White	D10/37
D351,797 S *	10/1994	White	D10/15

D364,101 S *	11/1995	Bradley	D10/40
D383,983 S *	9/1997	Steinhagen et al.	D10/22
5,761,157 A *	6/1998	Takeda et al.	368/10
D401,526 S *	11/1998	Stunder	D10/126
D404,317 S *	1/1999	Cameron	D10/30
6,317,390 B1 *	11/2001	Cardoza	368/10
D471,116 S *	3/2003	Suzuki	D10/40
6,817,192 B2 *	11/2004	Ector et al.	62/125
D525,538 S *	7/2006	Oas	D10/40

* cited by examiner

Primary Examiner—Lucy Lieberman

(74) *Attorney, Agent, or Firm*—Carr & Ferrell LLP

(57) **CLAIM**

The ornamental design for an elapsed time indicator, as shown and described.

DESCRIPTION

FIG. 1 is a perspective view of the elapsed time indicator showing top, front, and left sides of our new design;

FIG. 2 is a top view of the elapsed time indicator of FIG. 1;

FIG. 3 is a front view of the elapsed time indicator of FIG. 1;

FIG. 4 is a bottom view of the elapsed time indicator of FIG. 1;

FIG. 5 is a rear view of the elapsed time indicator of FIG. 1;

FIG. 6 is a right side view of the elapsed time indicator of FIG. 1; and,

FIG. 7 is a left side view of the elapsed time indicator of FIG. 1.

1 Claim, 3 Drawing Sheets

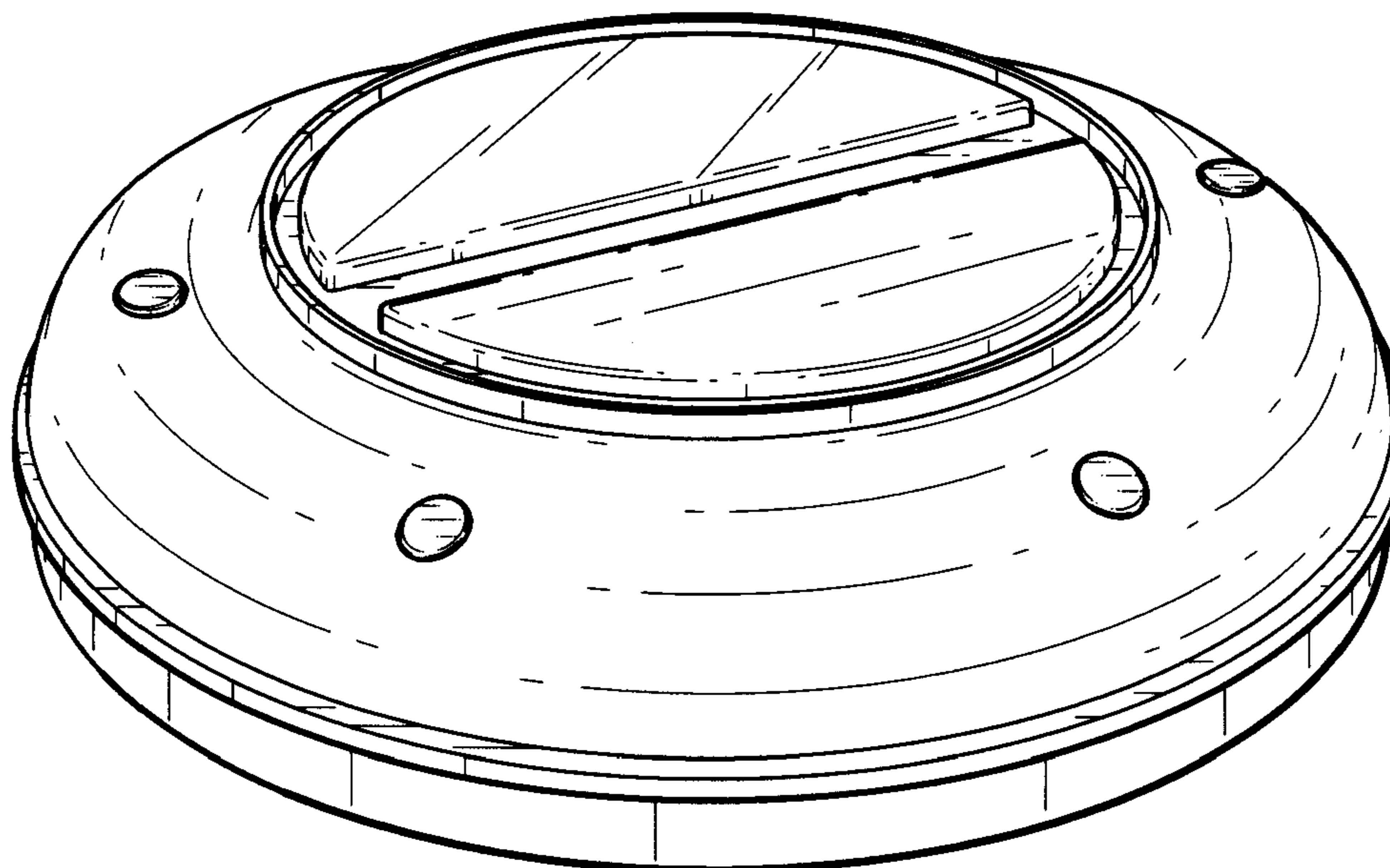


FIG. 1

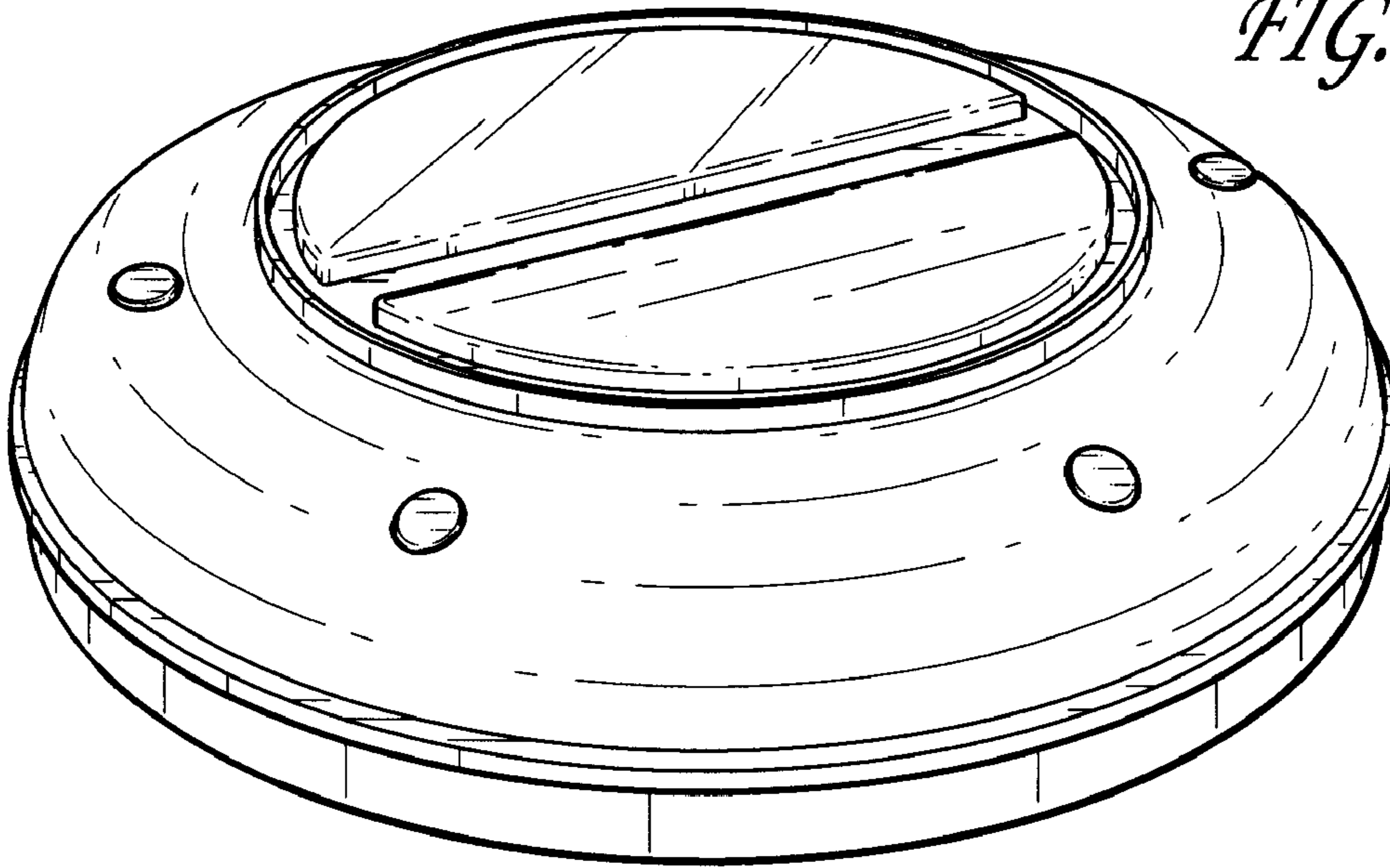


FIG. 2

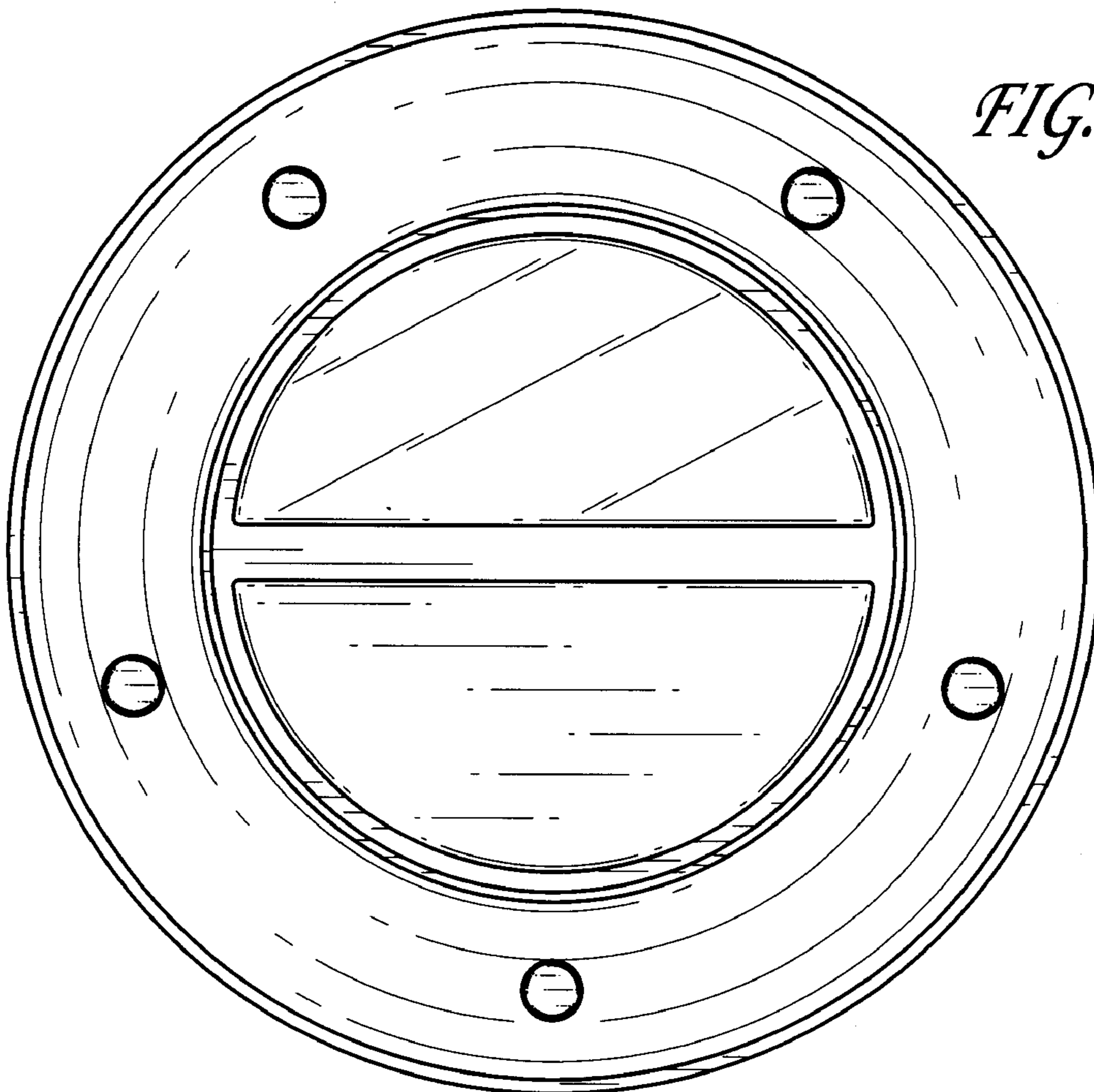


FIG. 3

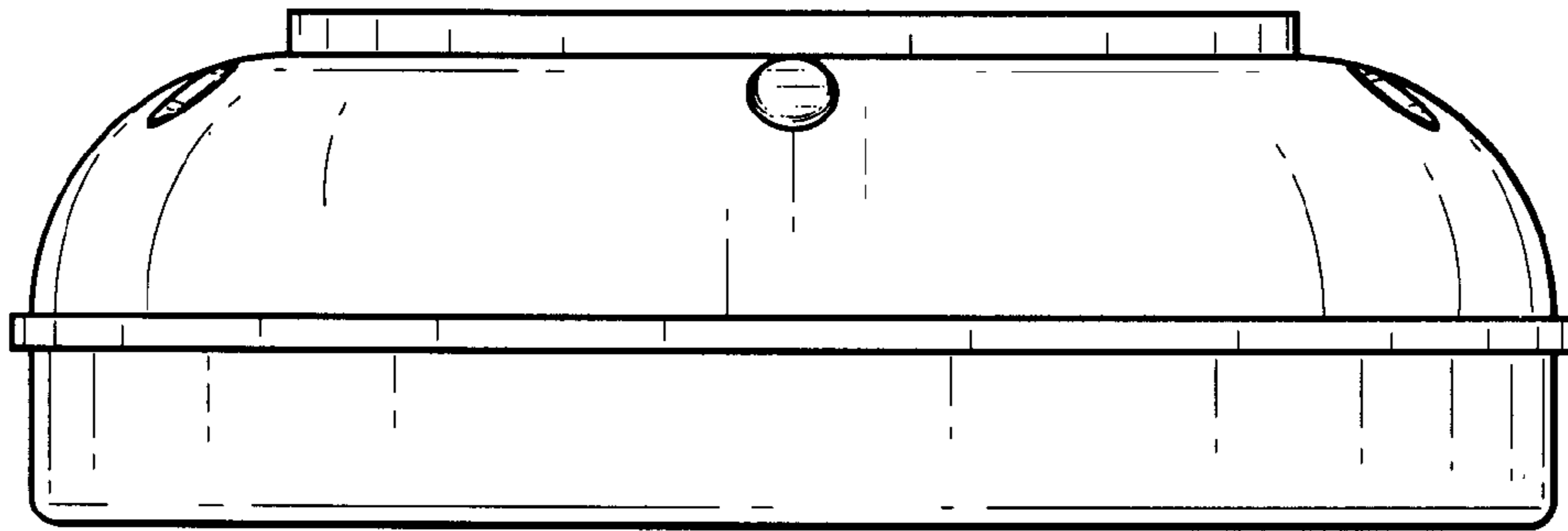
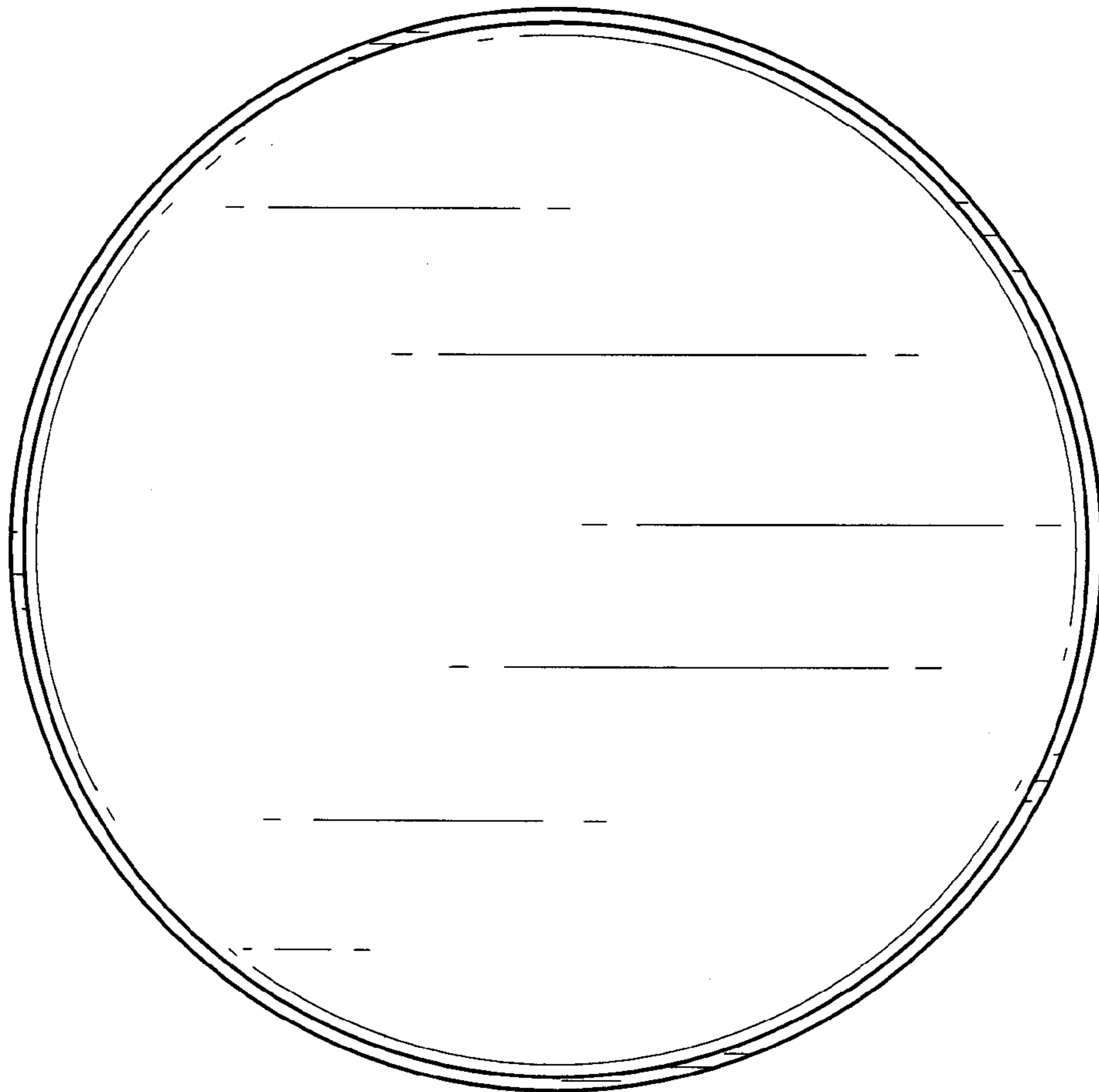


FIG. 4



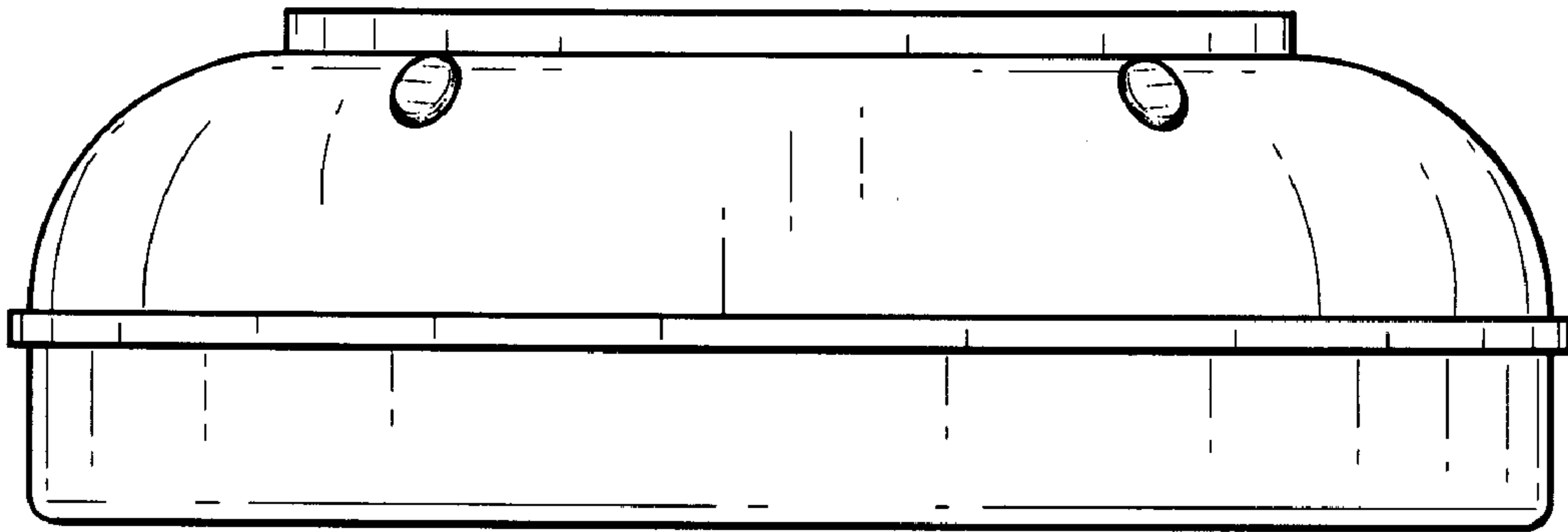


FIG. 5

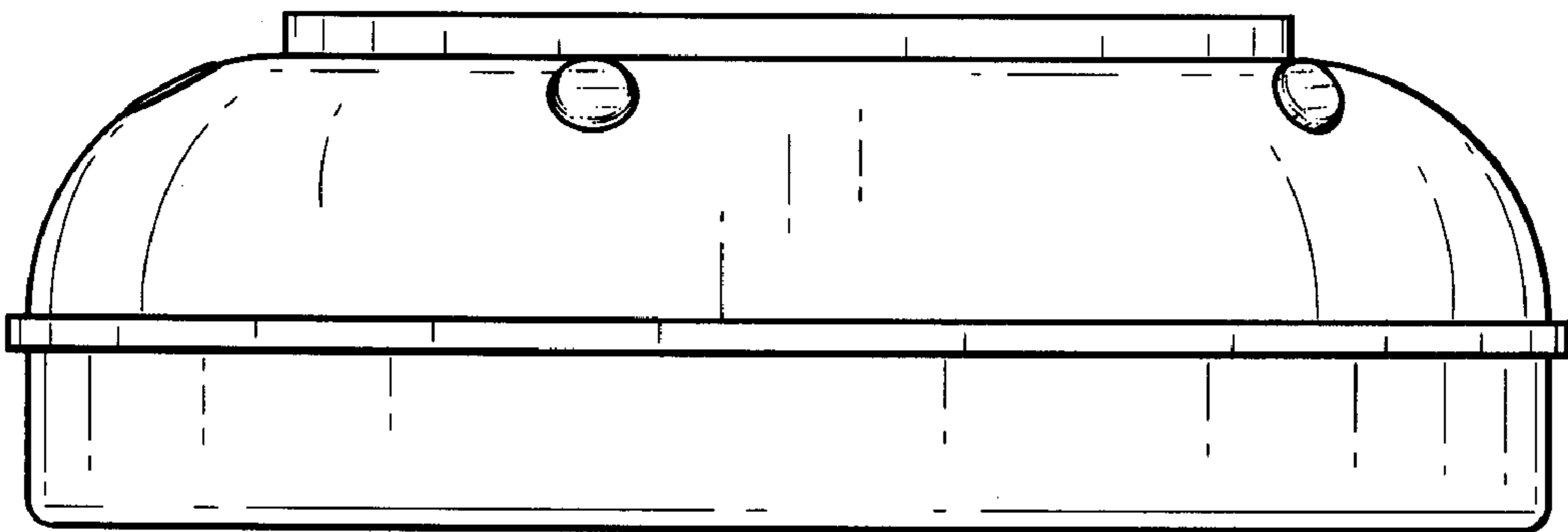


FIG. 6

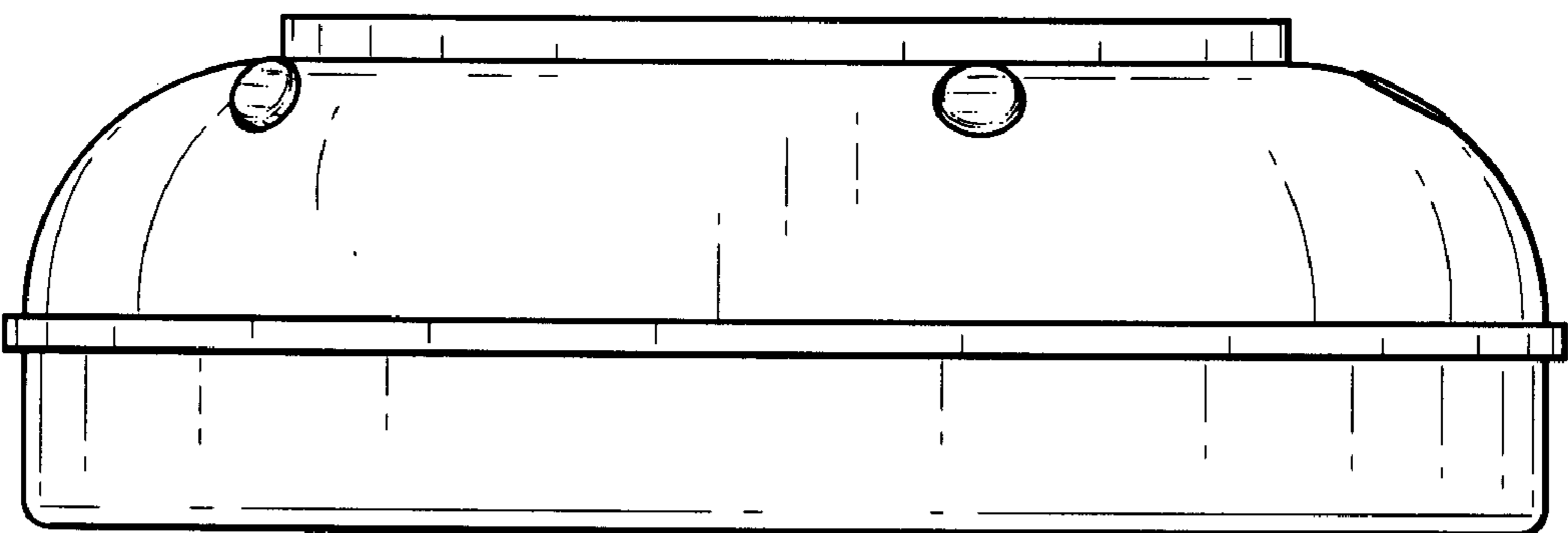


FIG. 7