



US00D556603S

(12) **United States Design Patent**
Barnes et al.

(10) **Patent No.: US D556,603 S**
(45) **Date of Patent: ** Dec. 4, 2007**

(54) **CONTACT LENS BLISTER PACKAGE**

(75) Inventors: **Brad Barnes**, Basingstoke (GB); **Julie Clements**, Southampton (GB); **Steve Hope**, Southampton (GB); **Stephen English**, Havant (GB)

(73) Assignee: **CooperVision International Holding Company, LP**, St. Michael (BB)

(**) Term: **14 Years**

(21) Appl. No.: **29/275,014**

(22) Filed: **Dec. 8, 2006**

(51) **LOC (8) Cl.** **09-01**

(52) **U.S. Cl.** **D9/732**

(58) **Field of Classification Search** D9/730,
D9/732, 737, 756, 757, 758, 761, 762; D3/201,
D3/203.1, 203.2, 203.3, 264; D6/512, 516;
D21/100, 107, 102, 121, 218; 206/5, 5.1,
206/216, 461, 524.1, 527, 528, 531, 532,
206/538, 557, 566, 564, 565; 220/500

See application file for complete search history.

(56) **References Cited**

U.S. PATENT DOCUMENTS

4,691,820	A	9/1987	Martinez	
5,467,868	A	11/1995	Abrams	
5,515,964	A	5/1996	Bauman	
5,609,246	A	3/1997	Borghorst	
5,620,088	A	4/1997	Martin	
5,704,468	A *	1/1998	Lust et al.	206/5.1
5,722,536	A	3/1998	Pierce	
6,029,808	A	2/2000	Peck	
6,082,533	A	7/2000	Smith	

6,092,646	A *	7/2000	Glazier	206/5.1
D435,966	S *	1/2001	Duis et al.	D3/264
D458,023	S *	6/2002	Dzwill et al.	D3/264
6,398,018	B1	6/2002	Livesley	
D485,064	S *	1/2004	Abrams et al.	D3/264
D496,790	S *	10/2004	Dzwill et al.	D3/264
6,889,825	B2	5/2005	Ichikawa	
D511,893	S *	11/2005	Chou et al.	D3/264
D512,217	S *	12/2005	Chou et al.	D3/264
D520,867	S	5/2006	Chang	
2003/0029736	A1 *	2/2003	Phillips et al.	206/5.1
2004/0214914	A1	10/2004	Marmo	
2006/0213783	A1	9/2006	Tokarski	
2006/0249403	A1	11/2006	Newman	
2007/0034533	A1 *	2/2007	Coldrey et al.	206/5.1

* cited by examiner

Primary Examiner—Stella Reid

Assistant Examiner—Shanda C. Hill

(74) *Attorney, Agent, or Firm*—Christie, Parker & Hale LLP

(57) **CLAIM**

The ornamental design for a contact lens blister package, as shown and described.

DESCRIPTION

FIG. 1 is a top plan view of a contact lens blister package showing our new design;

FIG. 2 is a bottom plan view of FIG. 1;

FIG. 3 is a side elevation view of FIG. 1;

FIG. 4 is a rear elevation view of FIG. 1;

FIG. 5 is a front elevation view of FIG. 1; and,

FIG. 6 is a perspective view of FIG. 1.

1 Claim, 2 Drawing Sheets

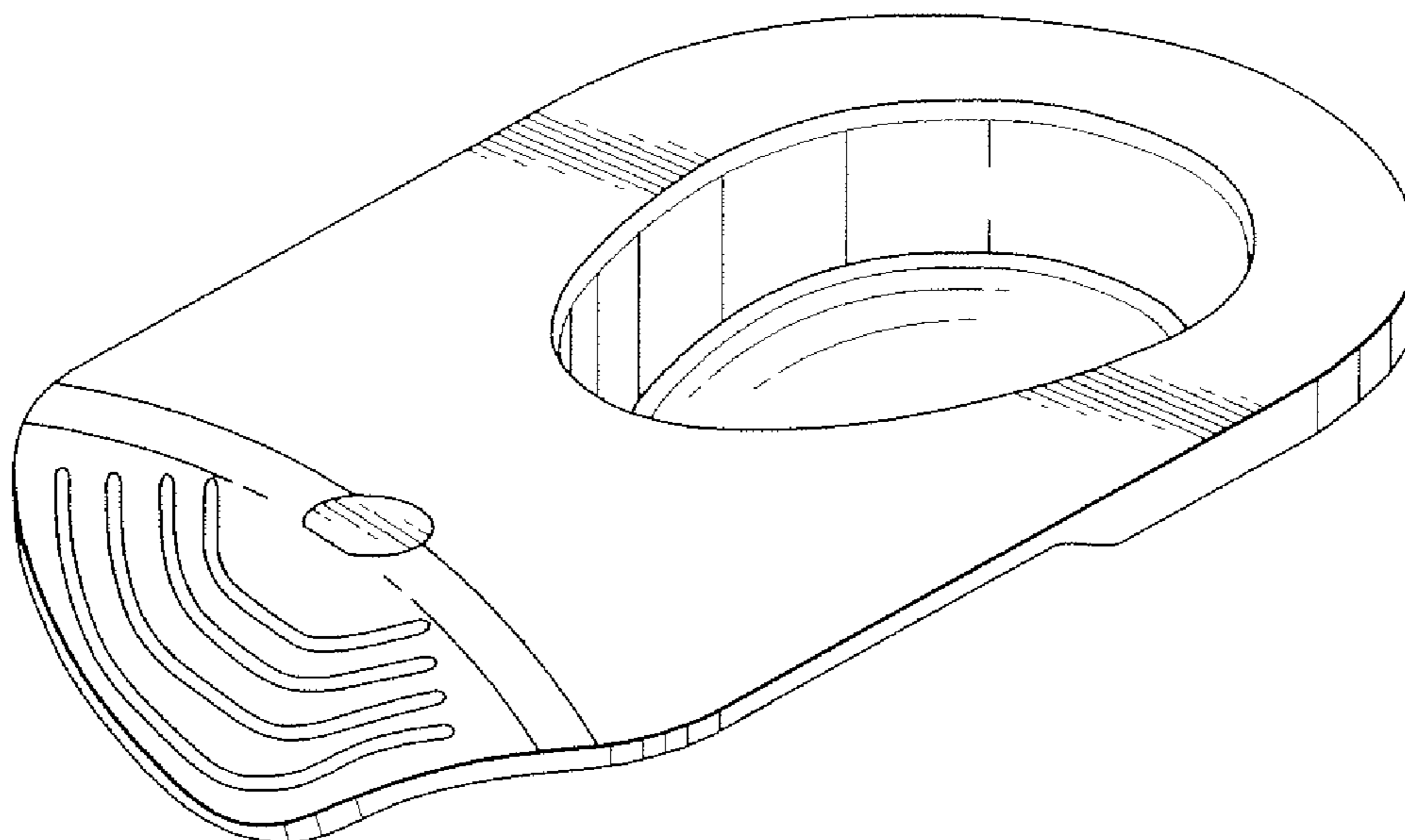


FIG. 1

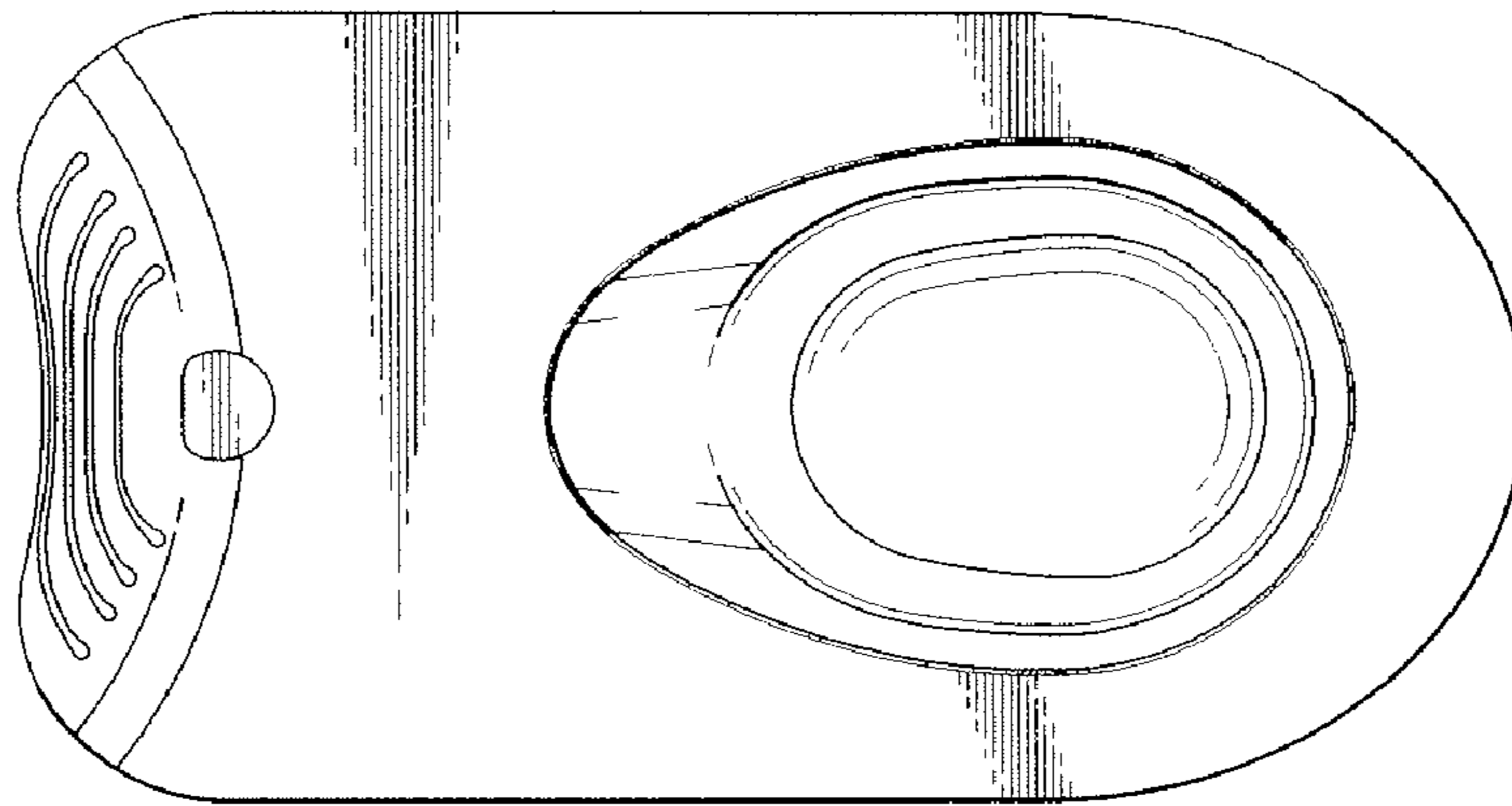


FIG. 2

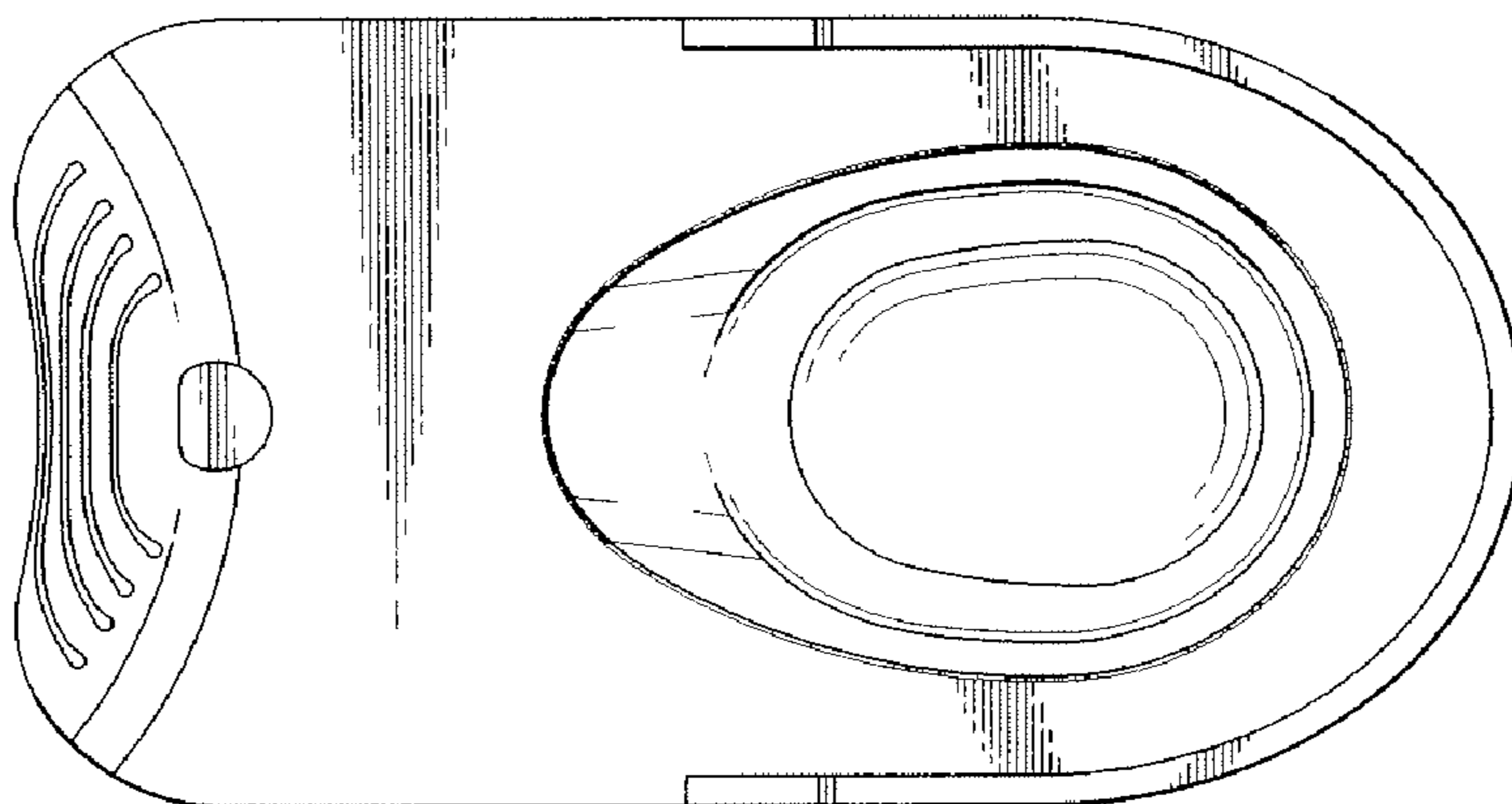


FIG. 3

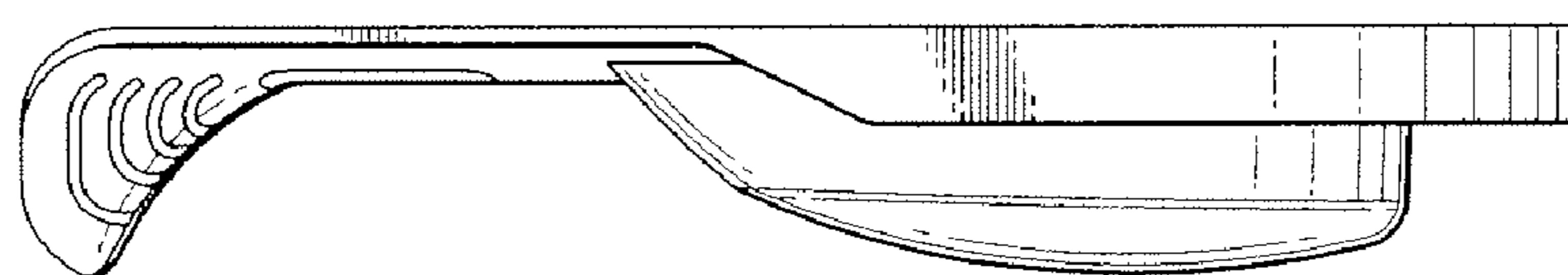


FIG. 4

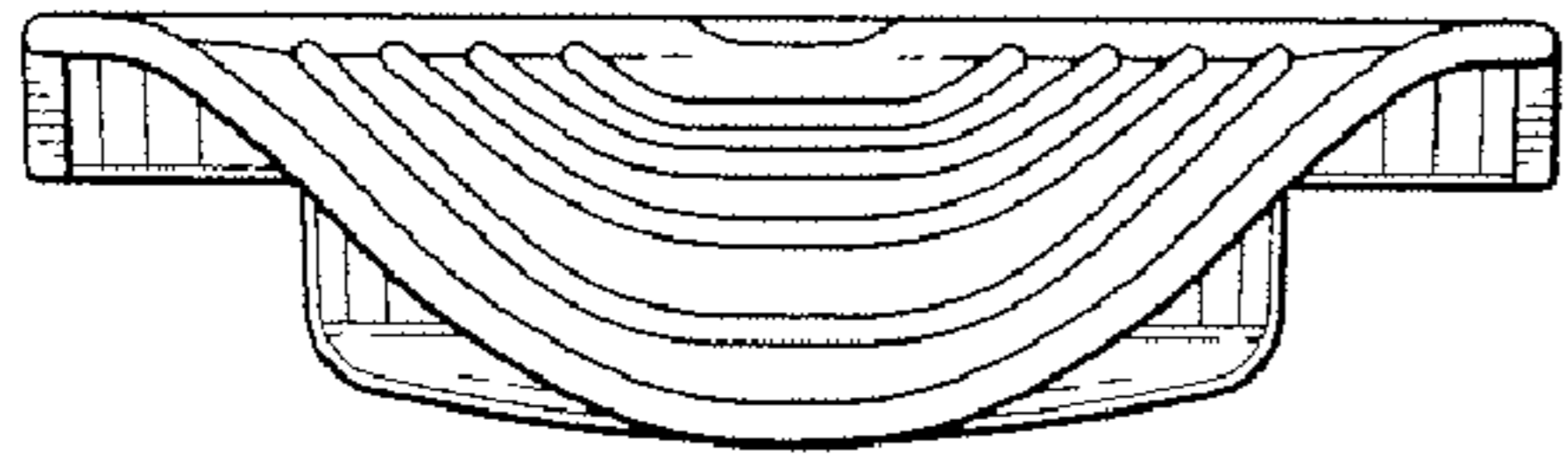


FIG. 5

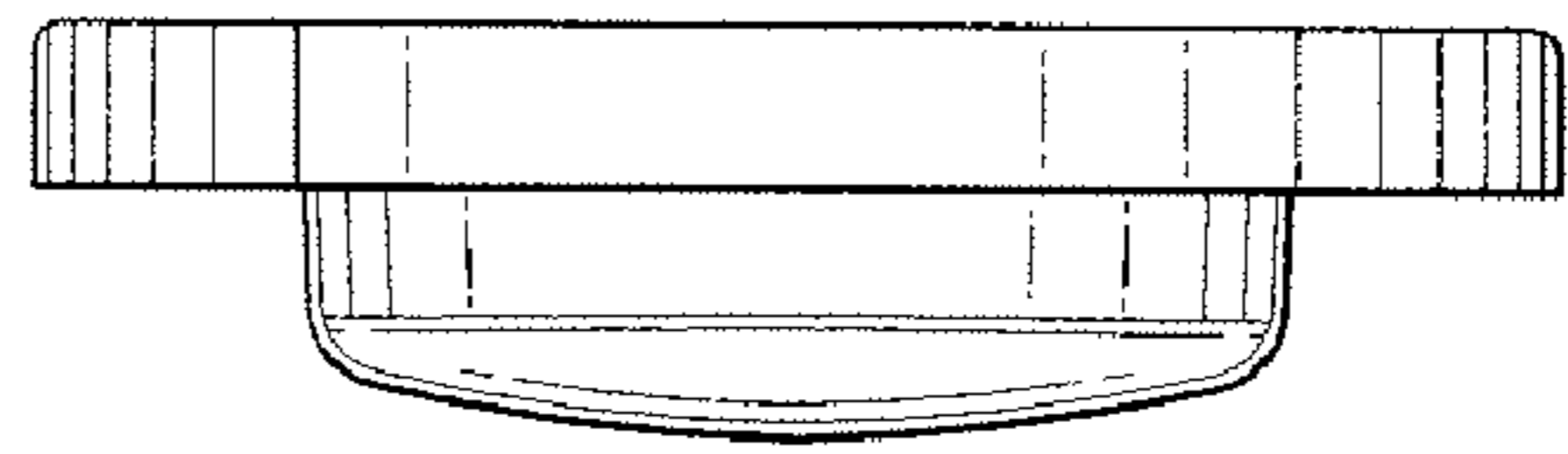


FIG. 6

