



US00D556602S

(12) **United States Design Patent** (10) **Patent No.:** **US D556,602 S**
Clements et al. (45) **Date of Patent:** **** Dec. 4, 2007**

(54) **CONTACT LENS BLISTER PACKAGE**
(75) Inventors: **Julie Clements**, Southampton (GB);
Steve Hope, Southampton (GB); **Kevin Aldridge**, Southampton (GB)
(73) Assignee: **CooperVision International Holding Company, LP**, St. Michael (BB)
(**) Term: **14 Years**
(21) Appl. No.: **29/275,002**
(22) Filed: **Dec. 8, 2006**

D435,966 S * 1/2001 Duis et al. D3/264
D458,023 S * 6/2002 Dzwil et al. D3/264
6,398,018 B1 6/2002 Livesley
D485,064 S * 1/2004 Abrams et al. D3/264
D496,790 S * 10/2004 Dzwil et al. D3/264
6,889,825 B2 5/2005 Ichikawa
D511,893 S * 11/2005 Chou et al. D3/264
D512,217 S * 12/2005 Chou et al. D3/264
D520,867 S 5/2006 Chang
2003/0029736 A1* 2/2003 Phillips et al. 206/5.1
2004/0214914 A1 10/2004 Marmo
2006/0213783 A1 9/2006 Tokarski
2006/0249403 A1 11/2006 Newman
2007/0034533 A1* 2/2007 Coldrey et al. 206/5.1

(51) **LOC (8) Cl.** **09-01**
(52) **U.S. Cl.** **D9/732**
(58) **Field of Classification Search** D9/730,
D9/732, 737, 756, 757, 758, 761, 762; D3/201,
D3/203.1, 203.2, 203.3, 264; D6/512, 516;
D21/100, 107, 102, 121, 218; 206/5, 5.1,
206/216, 461, 524.1, 527, 528, 531, 532,
206/538, 557, 566, 564, 565; 220/500
See application file for complete search history.

* cited by examiner

Primary Examiner—Stella Reid
Assistant Examiner—Shanda C. Hill
(74) *Attorney, Agent, or Firm*—Christie, Parker & Hale LLP

(57) **CLAIM**

The ornamental design for a contact lens blister package, as shown and described.

(56) **References Cited**

DESCRIPTION

U.S. PATENT DOCUMENTS

4,691,820	A	9/1987	Martinez	
5,467,868	A	11/1995	Abrams	
5,515,964	A	5/1996	Bauman	
5,609,246	A	3/1997	Borghorst	
5,620,088	A	4/1997	Martin	
5,704,468	A *	1/1998	Lust et al.	206/5.1
5,722,536	A	3/1998	Pierce	
6,029,808	A	2/2000	Peck	
6,082,533	A	7/2000	Smith	
6,092,646	A *	7/2000	Glazier	206/5.1

FIG. 1 is a perspective view of a contact lens blister package showing our new design;
FIG. 2 is a top plan view of FIG. 1.
FIG. 3 is a bottom plan view of FIG. 1.
FIG. 4 is a right side elevation view of FIG. 1.
FIG. 5 is a rear elevation view of FIG. 1; and,
FIG. 6 is a front elevation view of FIG. 1.

1 Claim, 2 Drawing Sheets

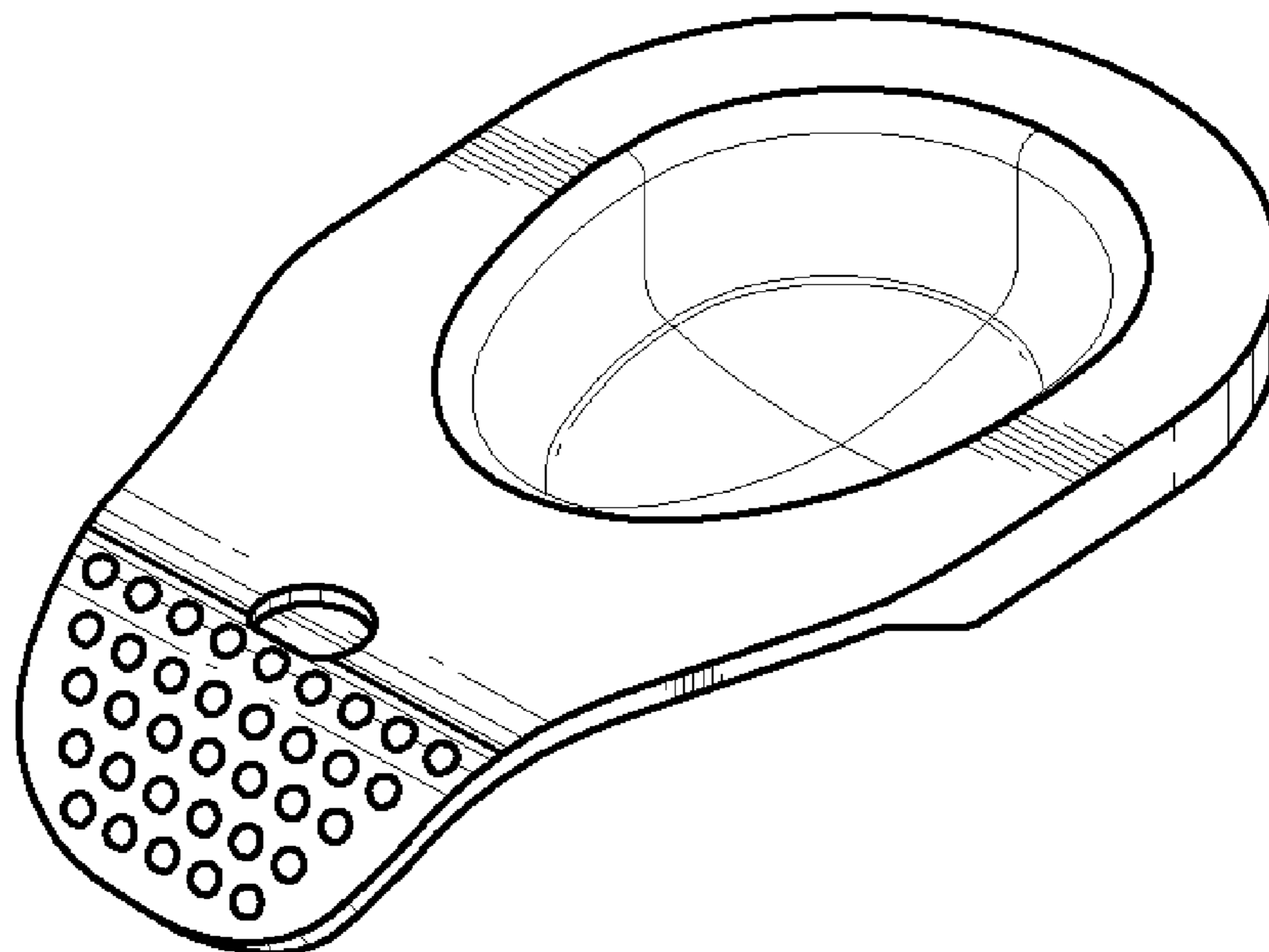


FIG. 1

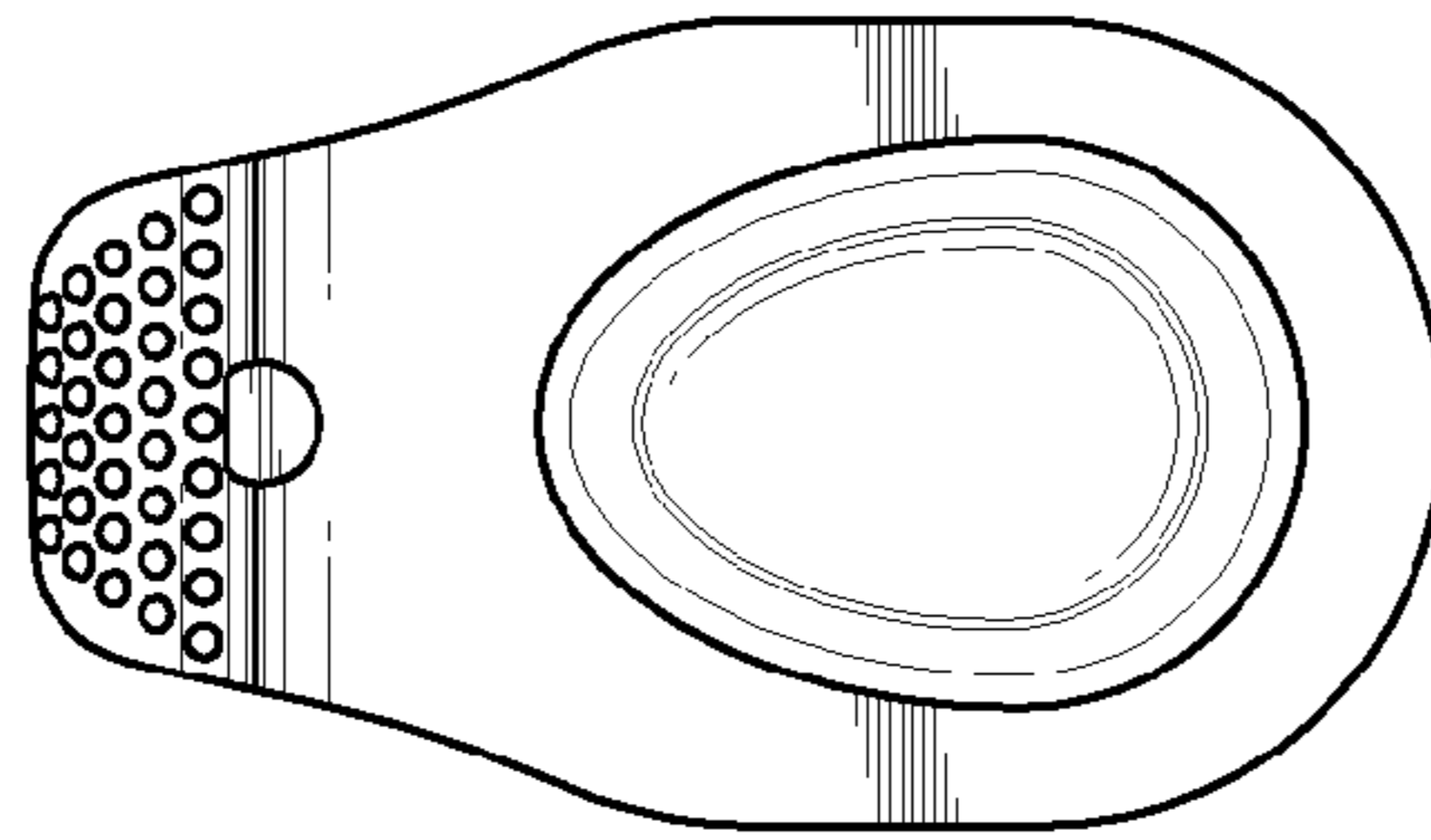
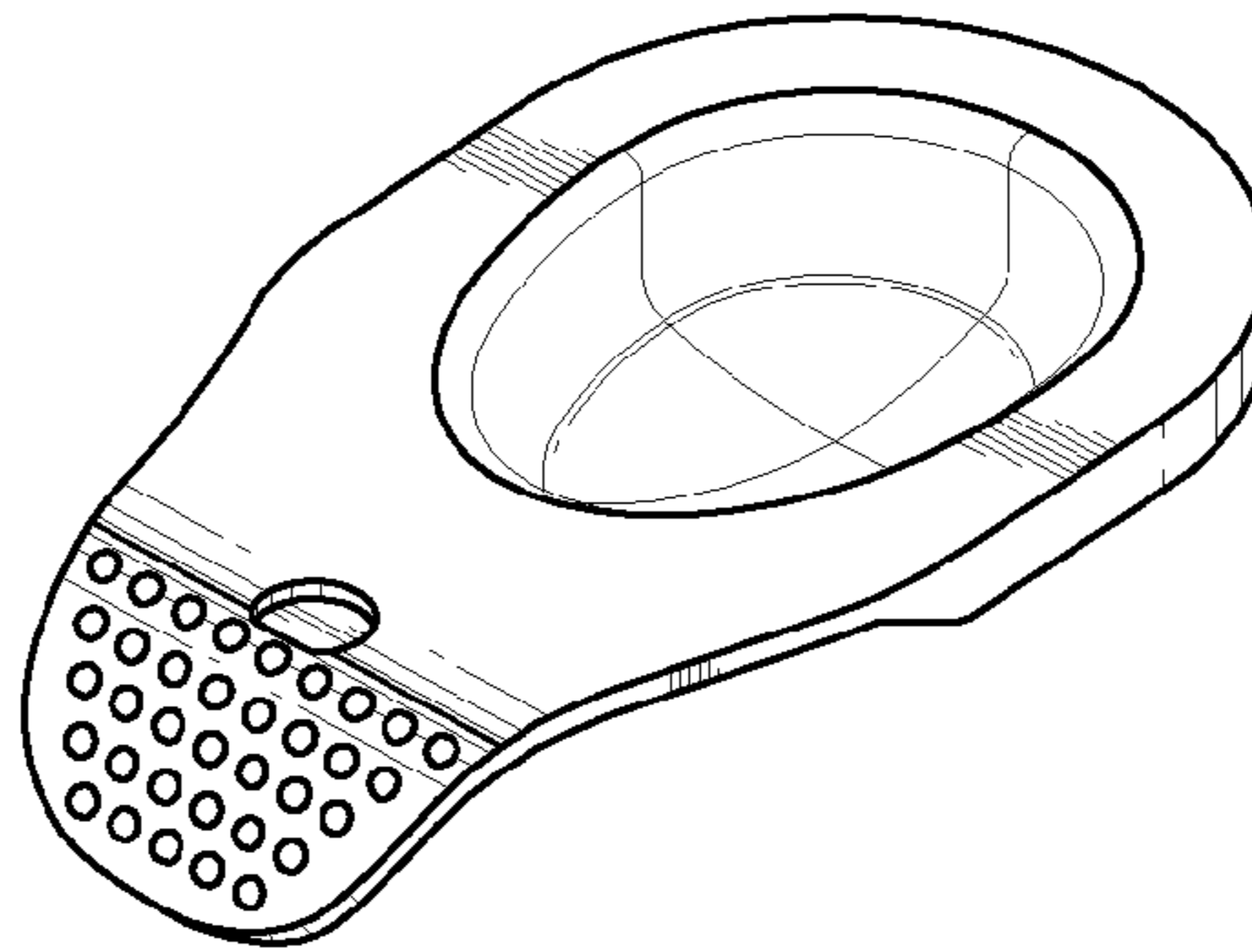


FIG. 2

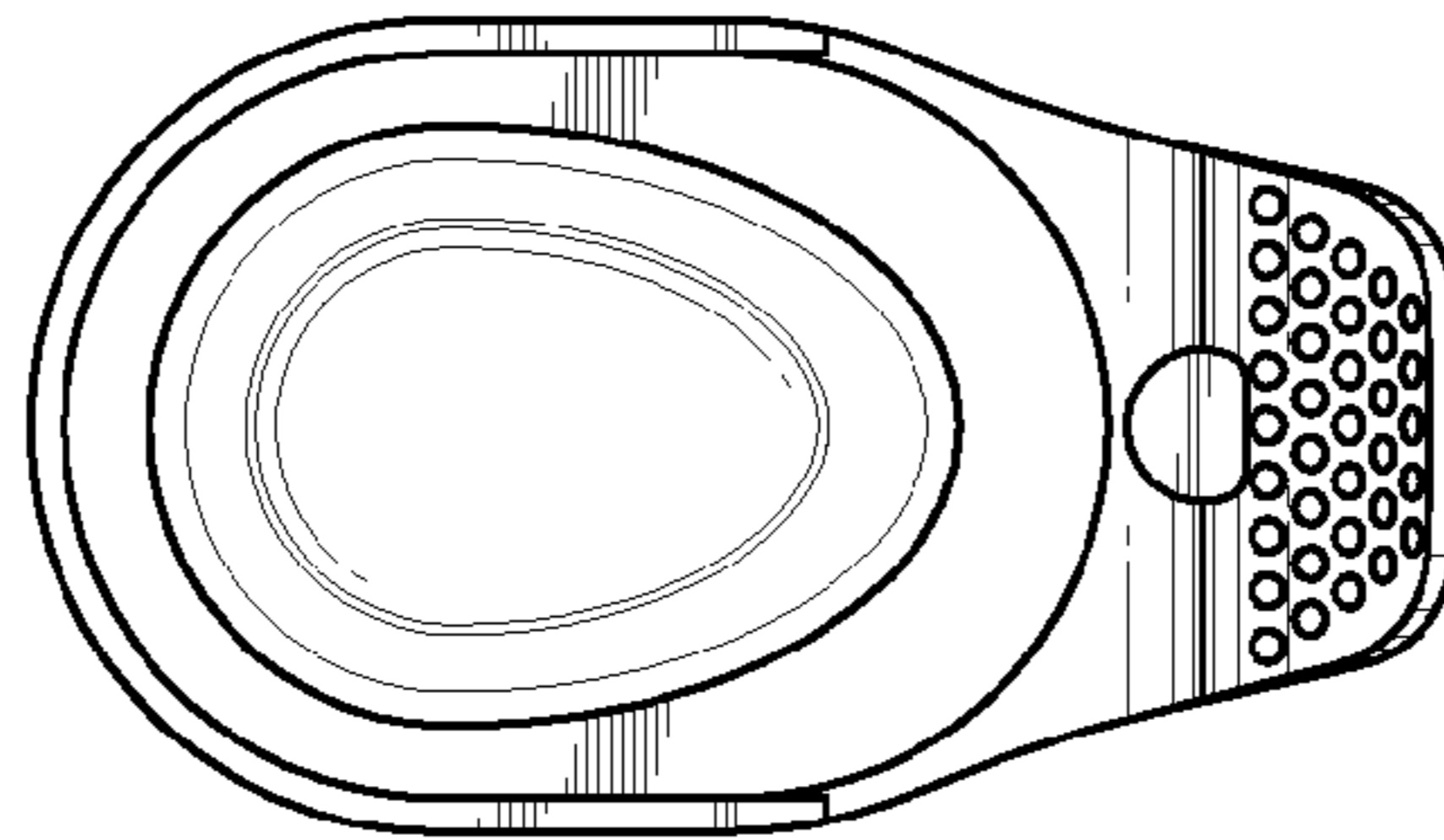


FIG. 3

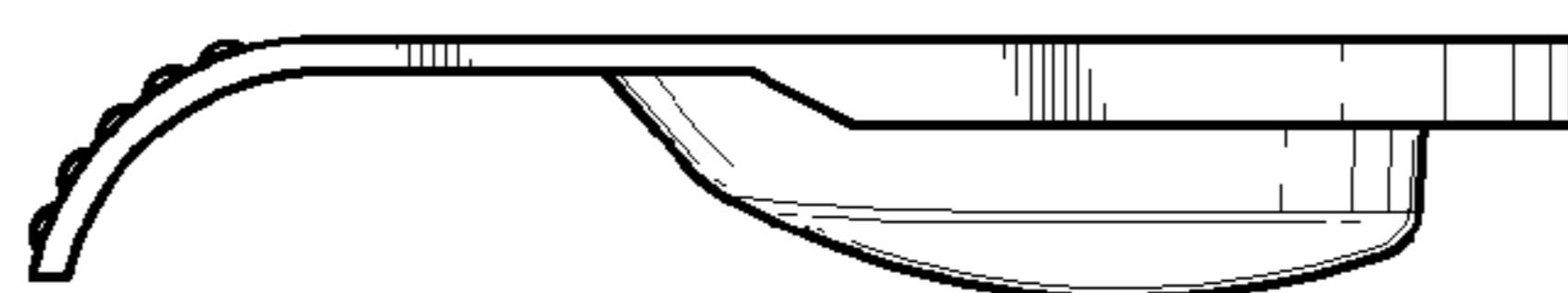


FIG. 4

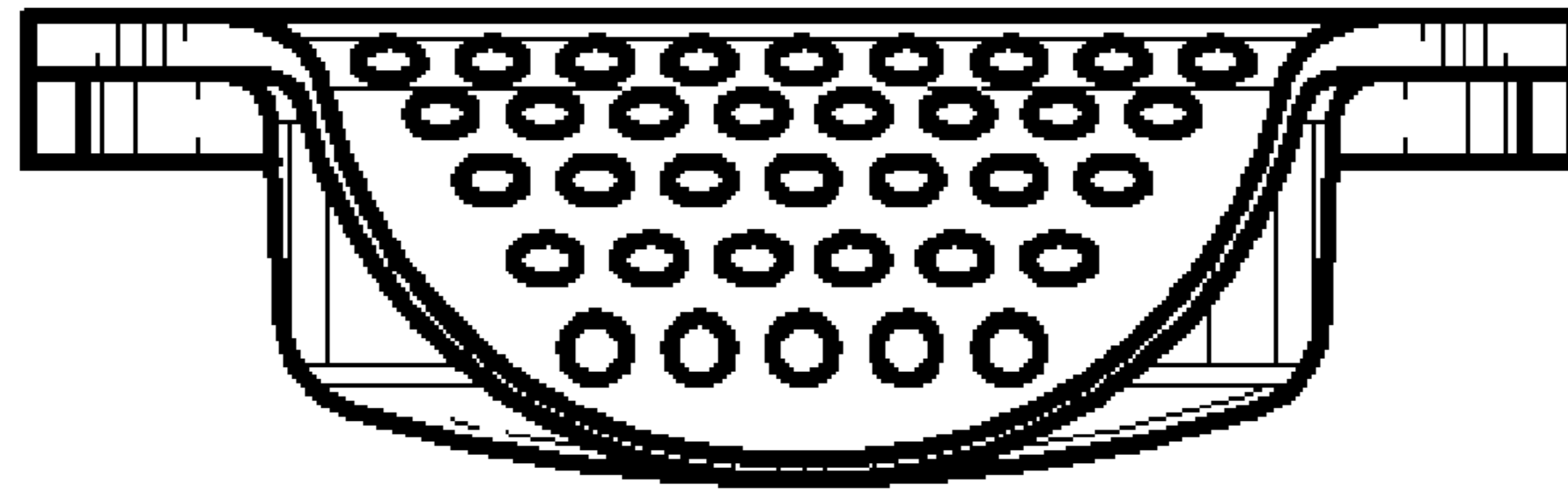


FIG. 5

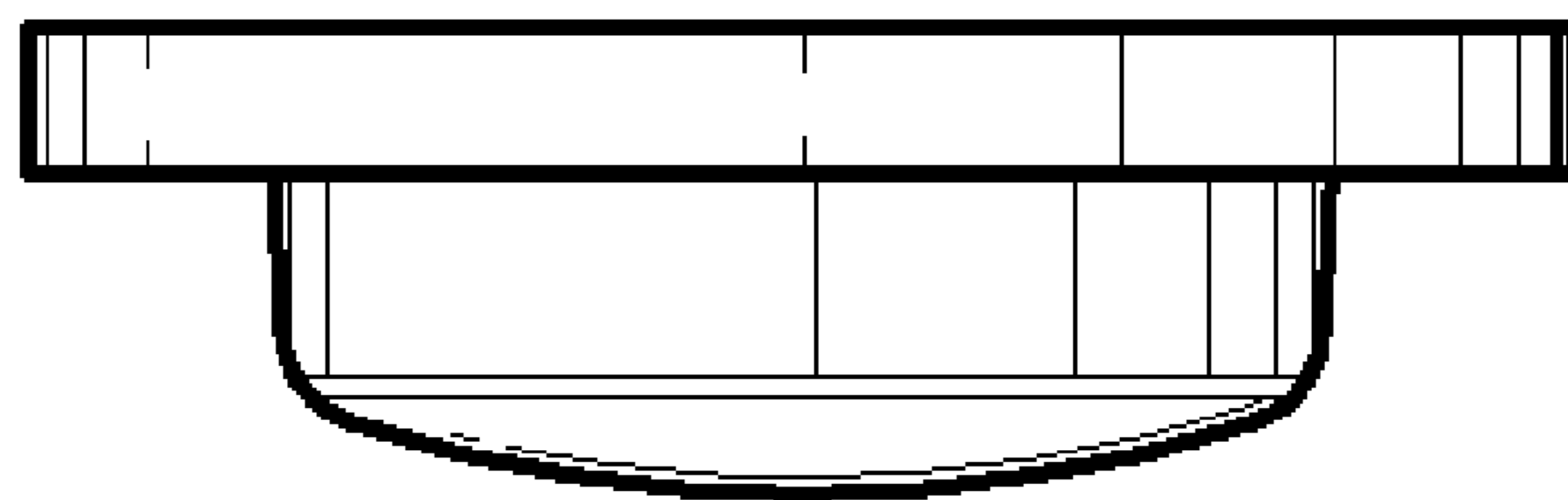


FIG. 6