



US00D556600S

(12) **United States Design Patent**
Galantai et al.

(10) **Patent No.: US D556,600 S**

(45) **Date of Patent: ** Dec. 4, 2007**

(54) **PRODUCT PRESENTATION PACK**

(75) Inventors: **Roderick Francis Galantai**, Auckland (NZ); **Carl John Macinnes**, Auckland (NZ)

(73) Assignees: **Galantai Plastics Group Limited**, Auckland (NZ); **PSM Healthcare Limited**, Auckland (NZ); **Radiant Oils Limited**, Auckland (NZ)

(**) Term: **14 Years**

(21) Appl. No.: **29/212,567**

(22) Filed: **Sep. 3, 2004**

(51) **LOC (8) Cl.** **09-01**

(52) **U.S. Cl.** **D9/722**

(58) **Field of Classification Search** D9/414, D9/415, 418, 424, 457, 715, 718, 721, 722; 206/69, 139, 216, 223, 389, 736, 751, 752, 206/754, 767, 769, 770, 775; 220/500, 600, 220/660, 662, 675, 890

See application file for complete search history.

(56) **References Cited**

U.S. PATENT DOCUMENTS

2,993,590 A * 7/1961 Denton 206/469
D258,119 S * 2/1981 du Cret D9/457
D287,105 S * 12/1986 Osterhout D9/415

D295,833 S * 5/1988 Roth D9/722
D370,174 S * 5/1996 Bergstedt D9/415
D441,646 S * 5/2001 Adkins D9/415
D499,018 S * 11/2004 Dato et al. D9/722
D499,962 S * 12/2004 Lee et al. D9/722
D514,927 S * 2/2006 Helfrich D9/415
D520,867 S * 5/2006 Chang D9/415

* cited by examiner

Primary Examiner—Stella Reid

Assistant Examiner—Shanda C. Hill

(74) *Attorney, Agent, or Firm*—Jacobson Holman PLLC

(57) **CLAIM**

We claim the ornamental design for the product presentation pack, as shown and described.

DESCRIPTION

FIG. 1 is a perspective view of the product presentation pack;

FIG. 2 is the end view of the product presentation pack;

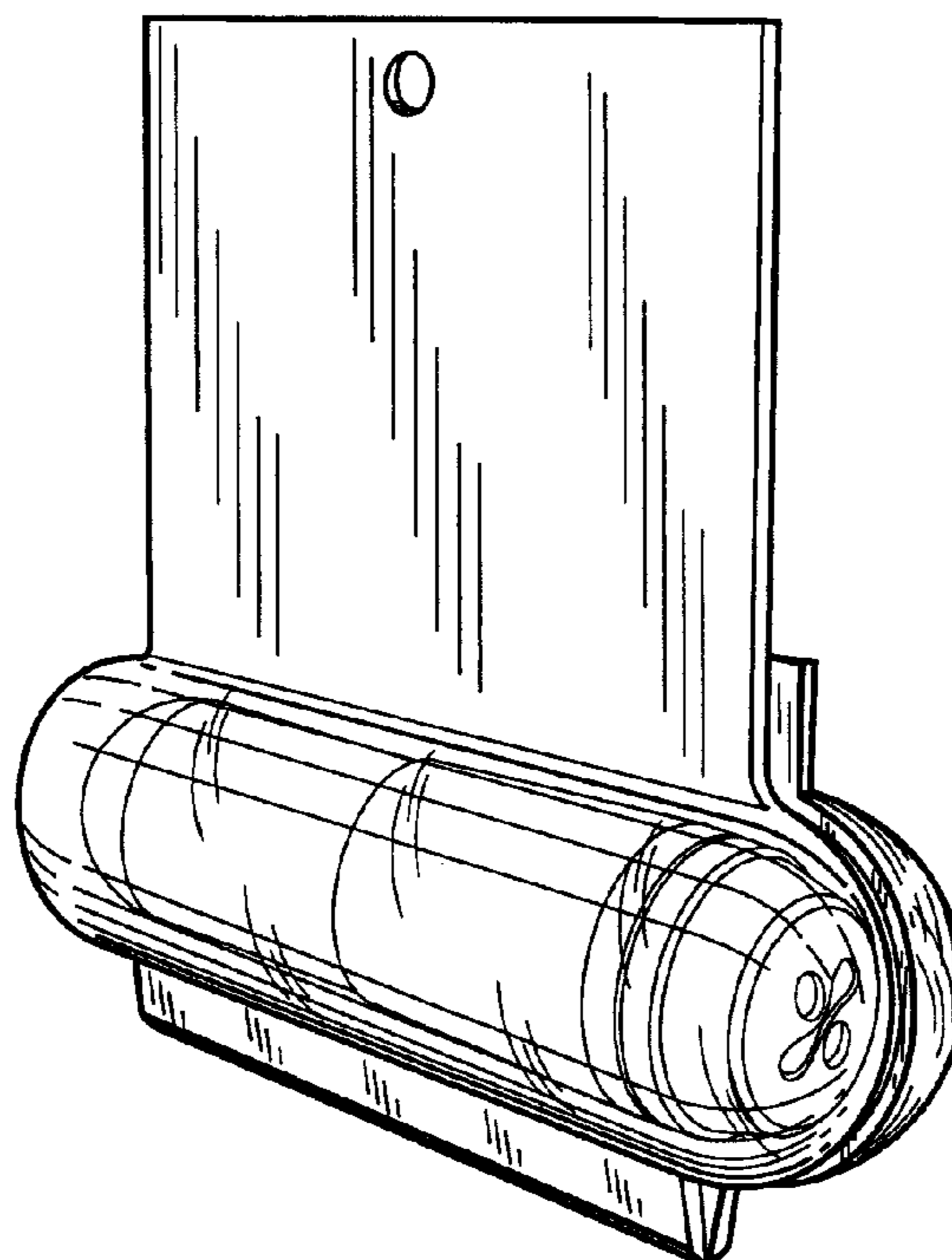
FIG. 3 is the side elevation view of the product presentation pack;

FIG. 4 is the side view of the product presentation pack in open position;

FIG. 5 is the top view of the product presentation pack; and,

FIG. 6 is the bottom view of the product presentation pack.

1 Claim, 5 Drawing Sheets



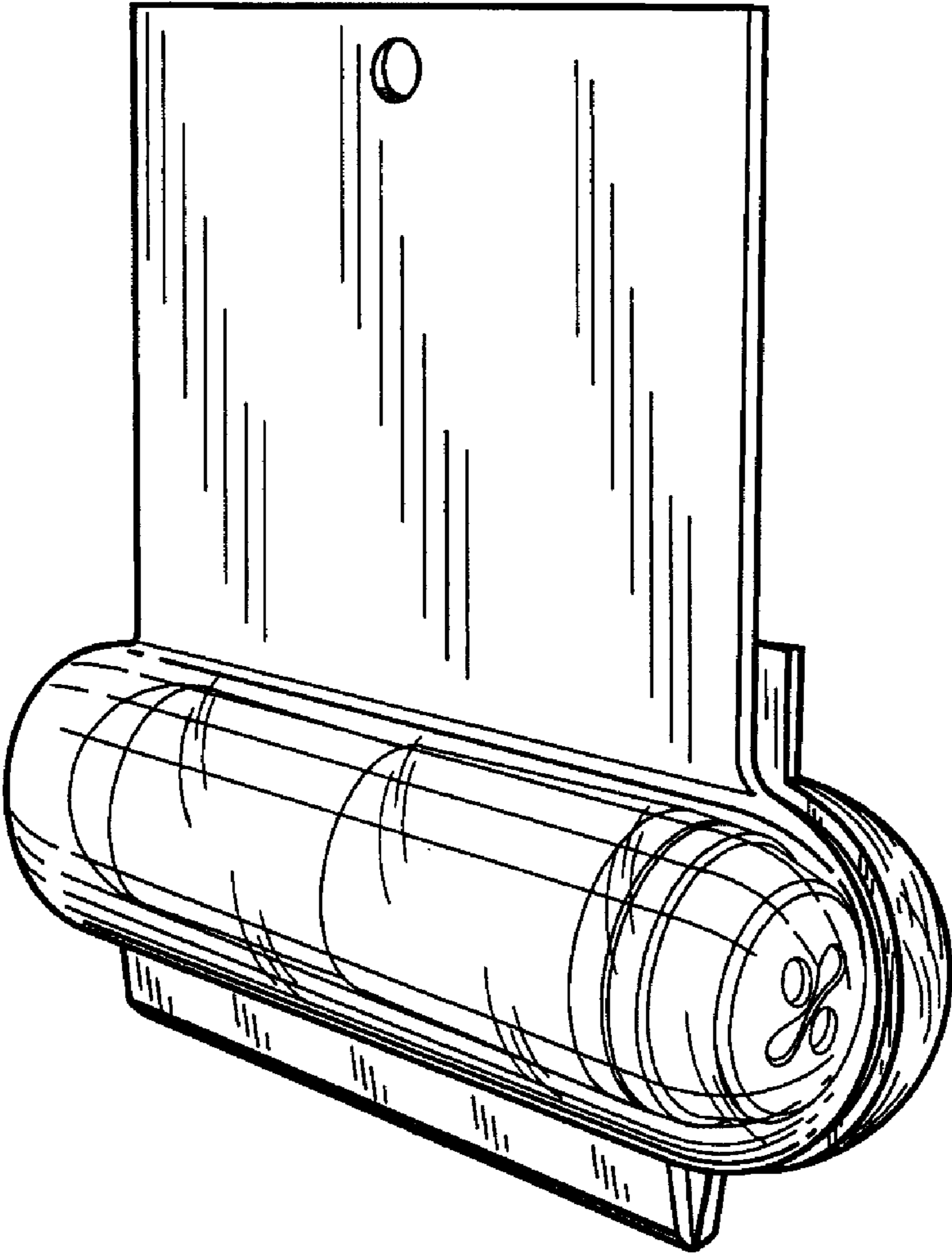


FIG. 1

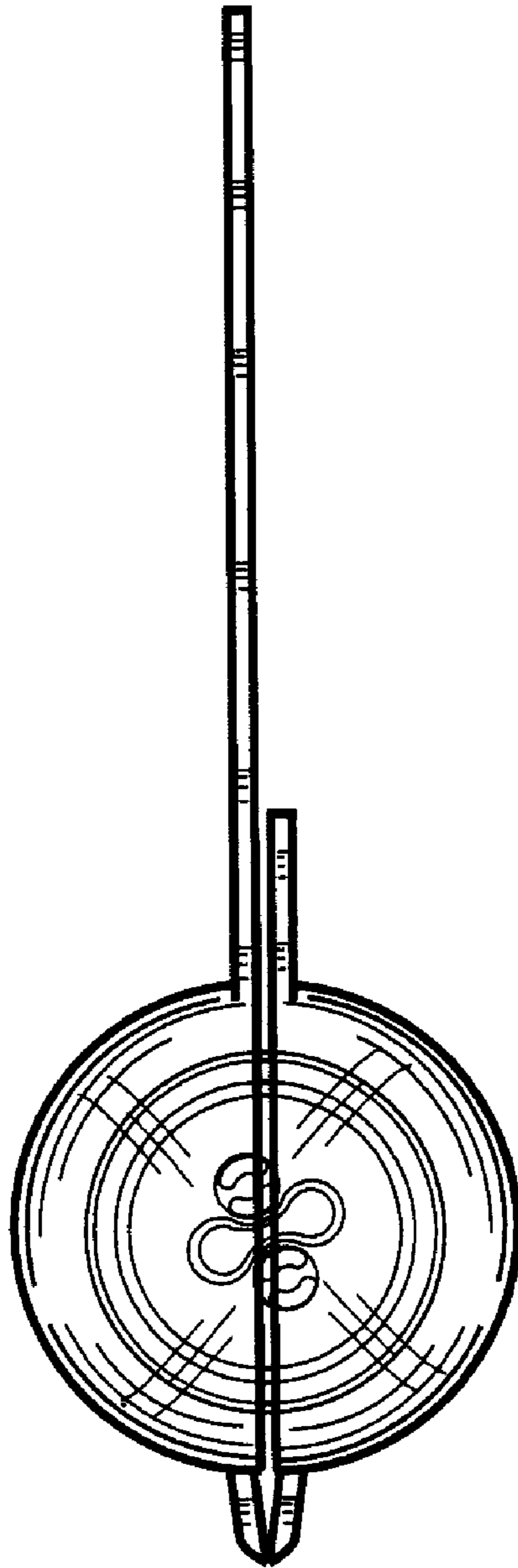


FIG. 2

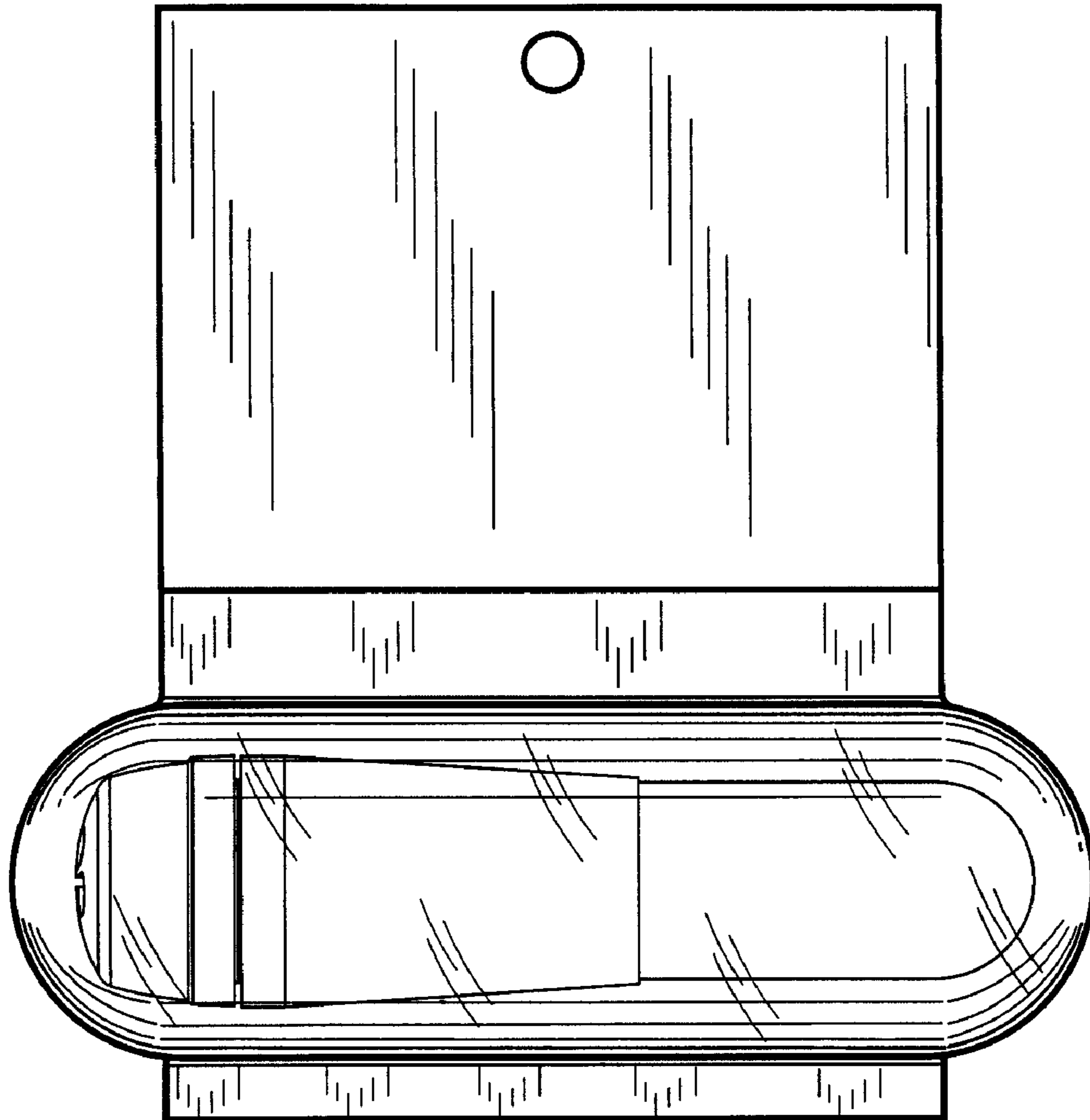


FIG. 3

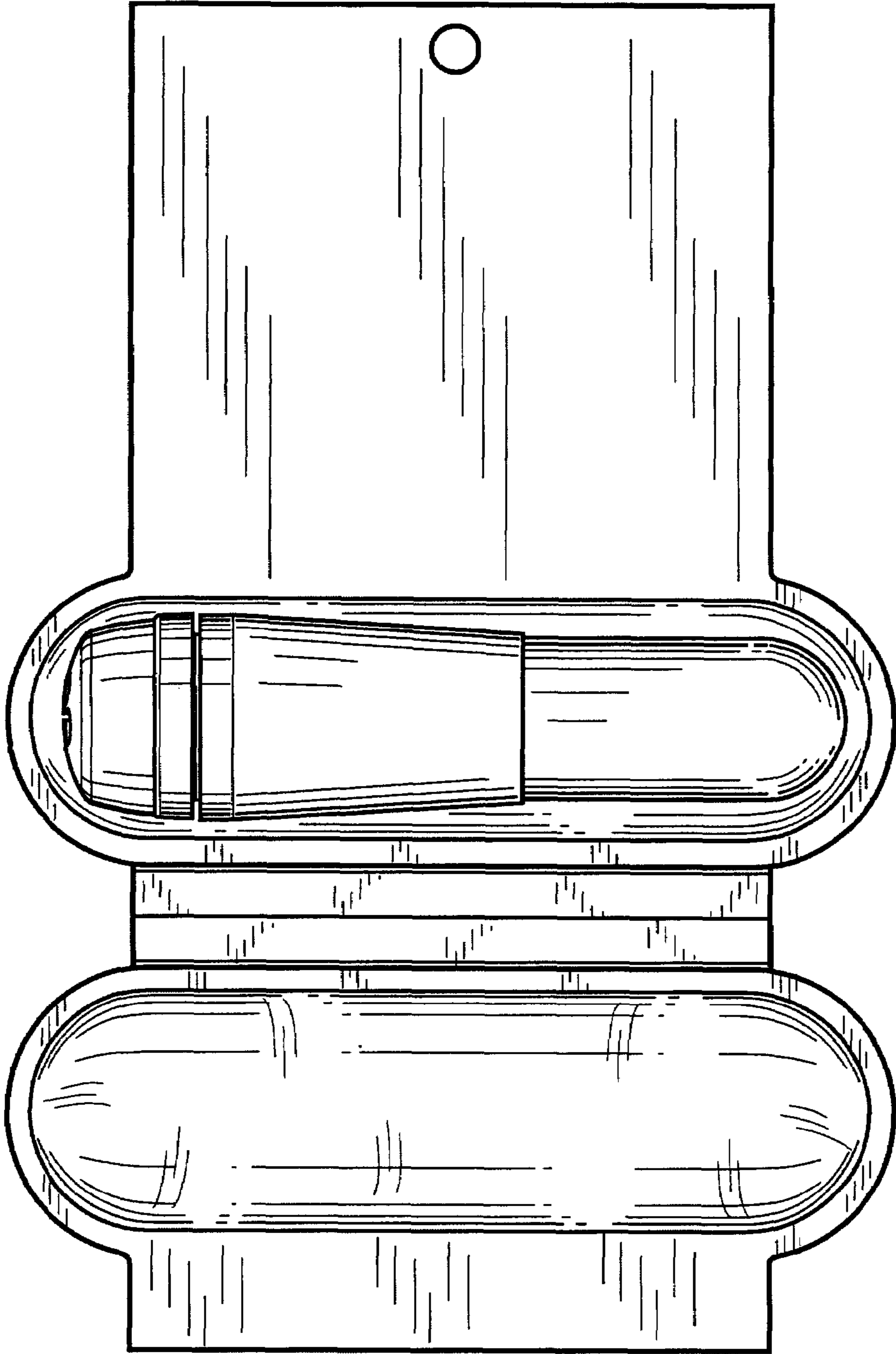


FIG. 4

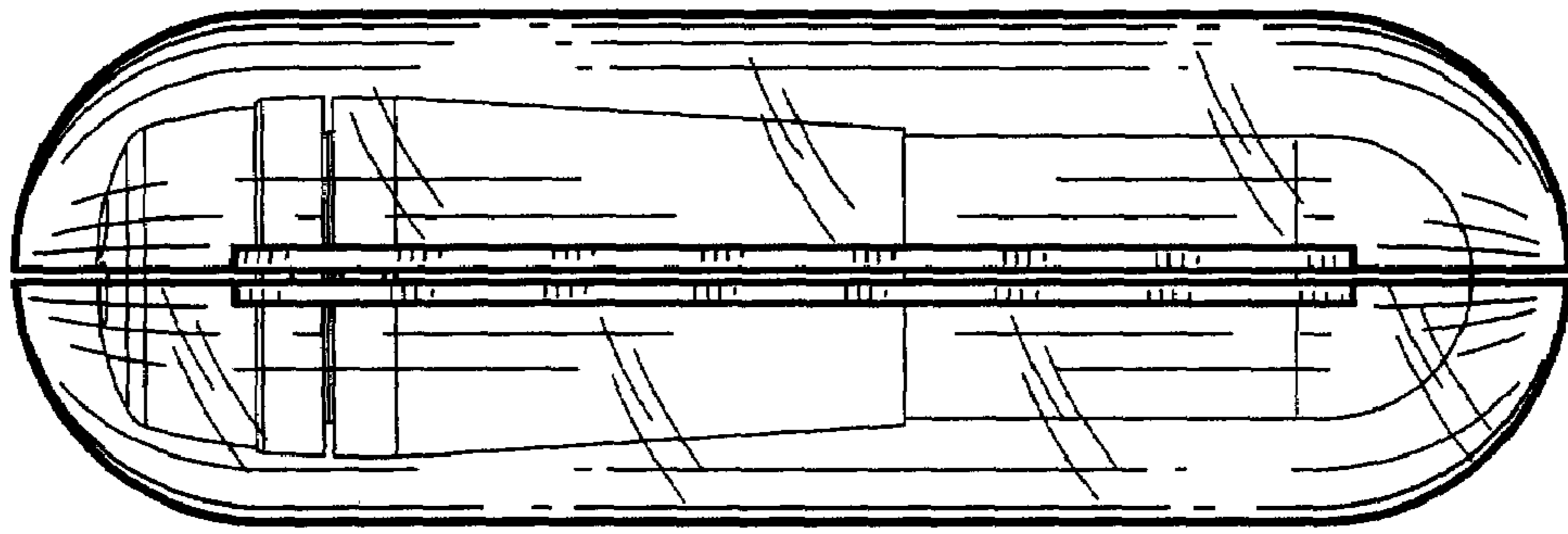


FIG. 5

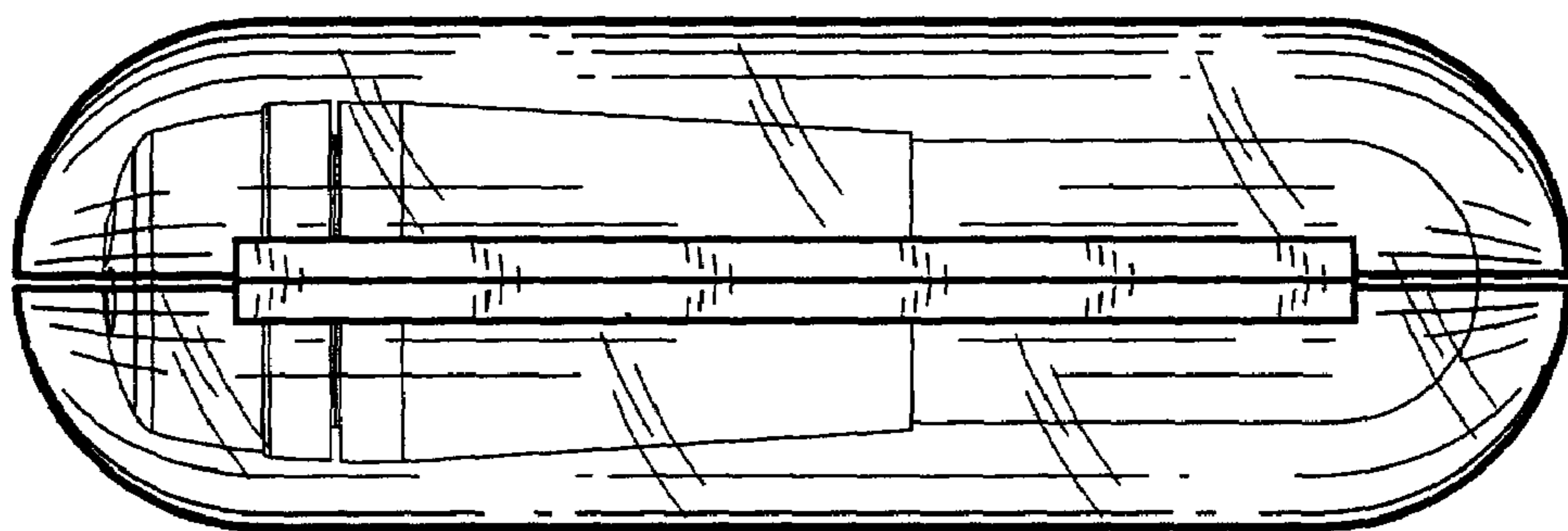


FIG. 6