



US00D556597S

(12) **United States Design Patent** (10) **Patent No.:** **US D556,597 S**
Feen (45) **Date of Patent:** **** Dec. 4, 2007**

(54) **BOTTLE**

(75) Inventor: **Stuart Feen**, Grayslake, IL (US)

(73) Assignee: **Plastic Bottle Corporation**,
Libertyville, IL (US)

(**) Term: **14 Years**

(21) Appl. No.: **29/288,941**

(22) Filed: **Jun. 27, 2007**

Related U.S. Application Data

(62) Division of application No. 29/269,534, filed on Nov. 30, 2006, now Pat. No. Des. 549,101.

(51) **LOC (8) Cl.** **09-01**

(52) **U.S. Cl.** **D9/564; D9/570; D9/571;**
D9/574

(58) **Field of Classification Search** D9/682-694,
D9/502, 516, 520, 522-528, 530-531, 538-539,
D9/541, 546, 557, 563-564, 570-575; 215/381-385,
215/396, 398, 400
See application file for complete search history.

(56) **References Cited**

U.S. PATENT DOCUMENTS

D98,426 S * 2/1936 Fuerst D9/542
D114,208 S * 4/1939 Dunnoek D9/570
D166,017 S * 2/1952 Barq D9/502
D180,920 S * 9/1957 Vuillemenot D9/570 X
D185,332 S * 5/1959 Vuillemenot D9/542
D194,244 S * 12/1962 Denhoff D9/531

D194,630 S * 2/1963 Worthington D9/531
D197,812 S * 3/1964 Worthington D9/531
D209,475 S * 12/1967 Trombley D9/522
D257,827 S * 1/1981 Strand et al. D9/563
D298,805 S * 12/1988 Harrison D9/570
D303,100 S * 8/1989 Segati D9/563
D308,483 S * 6/1990 Weckman D9/542
D315,295 S * 3/1991 Reece et al. D9/557
D375,900 S * 11/1996 DeVore D9/563
D446,128 S * 8/2001 Adee et al. D9/563
D447,421 S * 9/2001 Kipperman et al. D9/574 X

* cited by examiner

Primary Examiner—Carol Rademaker

(74) *Attorney, Agent, or Firm*—Wood, Phillips, Katz, Clark & Mortimer

(57) **CLAIM**

The ornamental design for a bottle, substantially as shown and described.

DESCRIPTION

FIG. 1 is a top, front, and right side perspective view of a bottle showing my new design;

FIG. 2 is a rear elevational view thereof, shown at a reduced scale;

FIG. 3 is a front elevational view thereof;

FIG. 4 is a right side elevational view thereof;

FIG. 5 is a left side elevational view thereof; and,

FIG. 6 is a top plan view thereof.

1 Claim, 3 Drawing Sheets

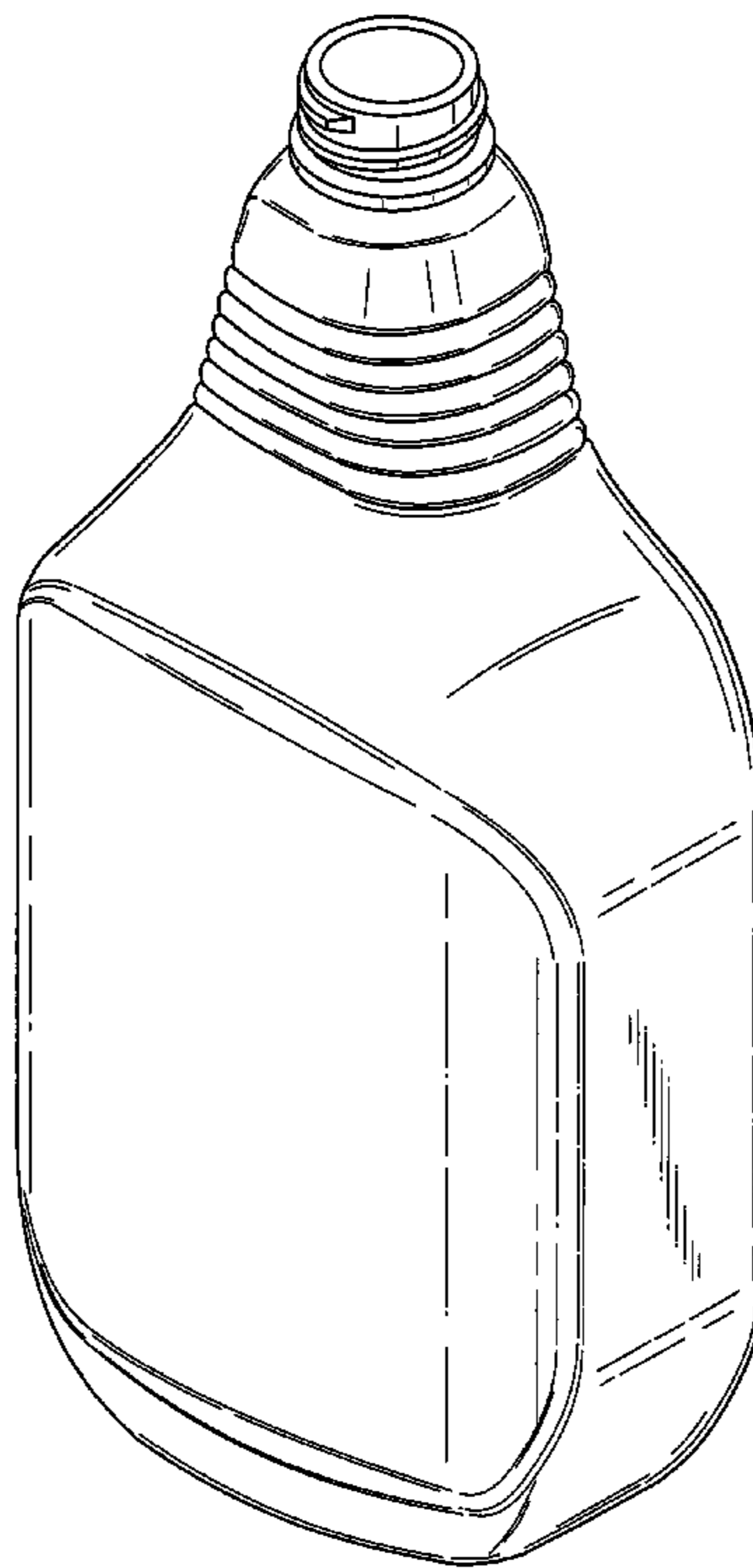


Fig. 1

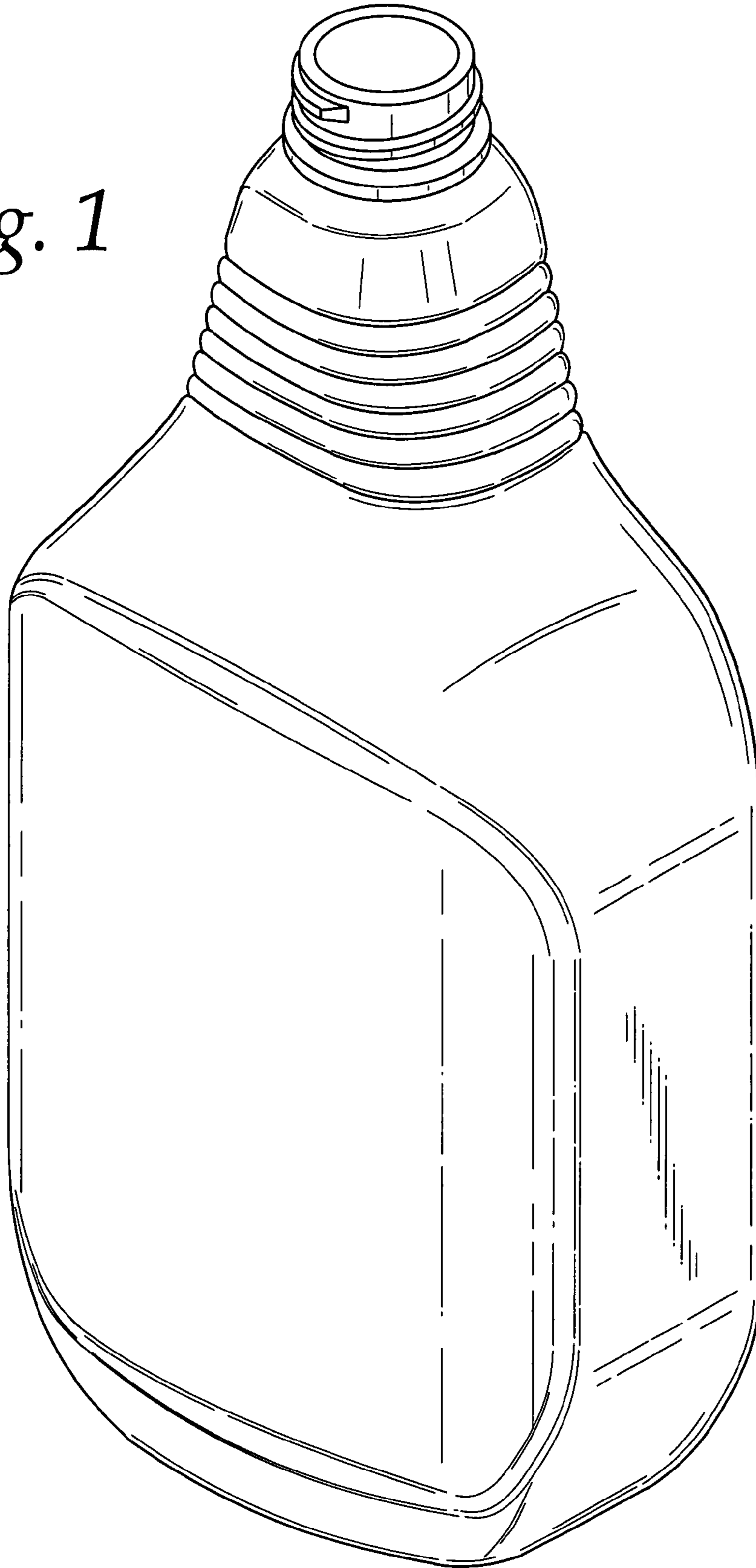


Fig. 3

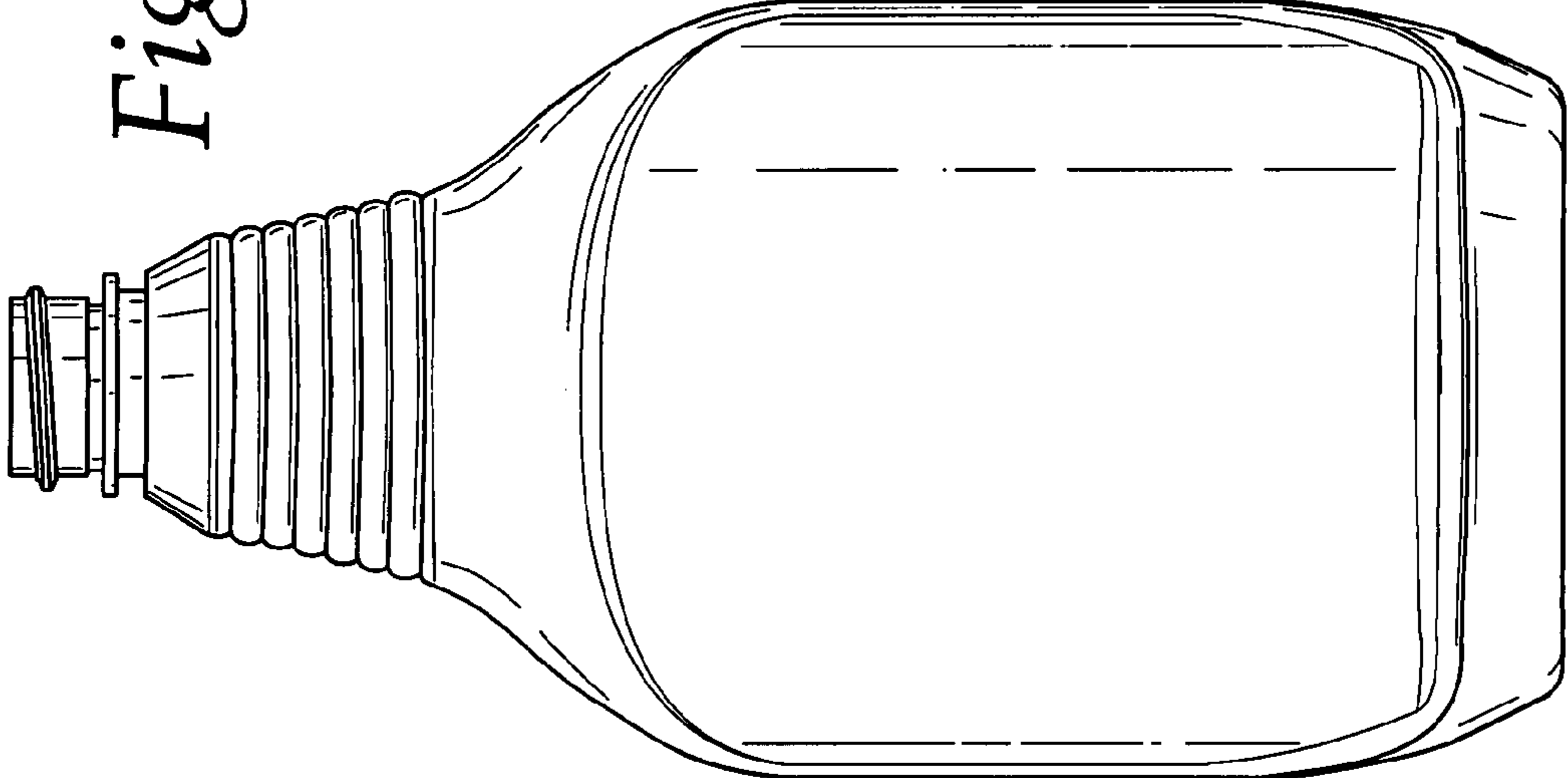
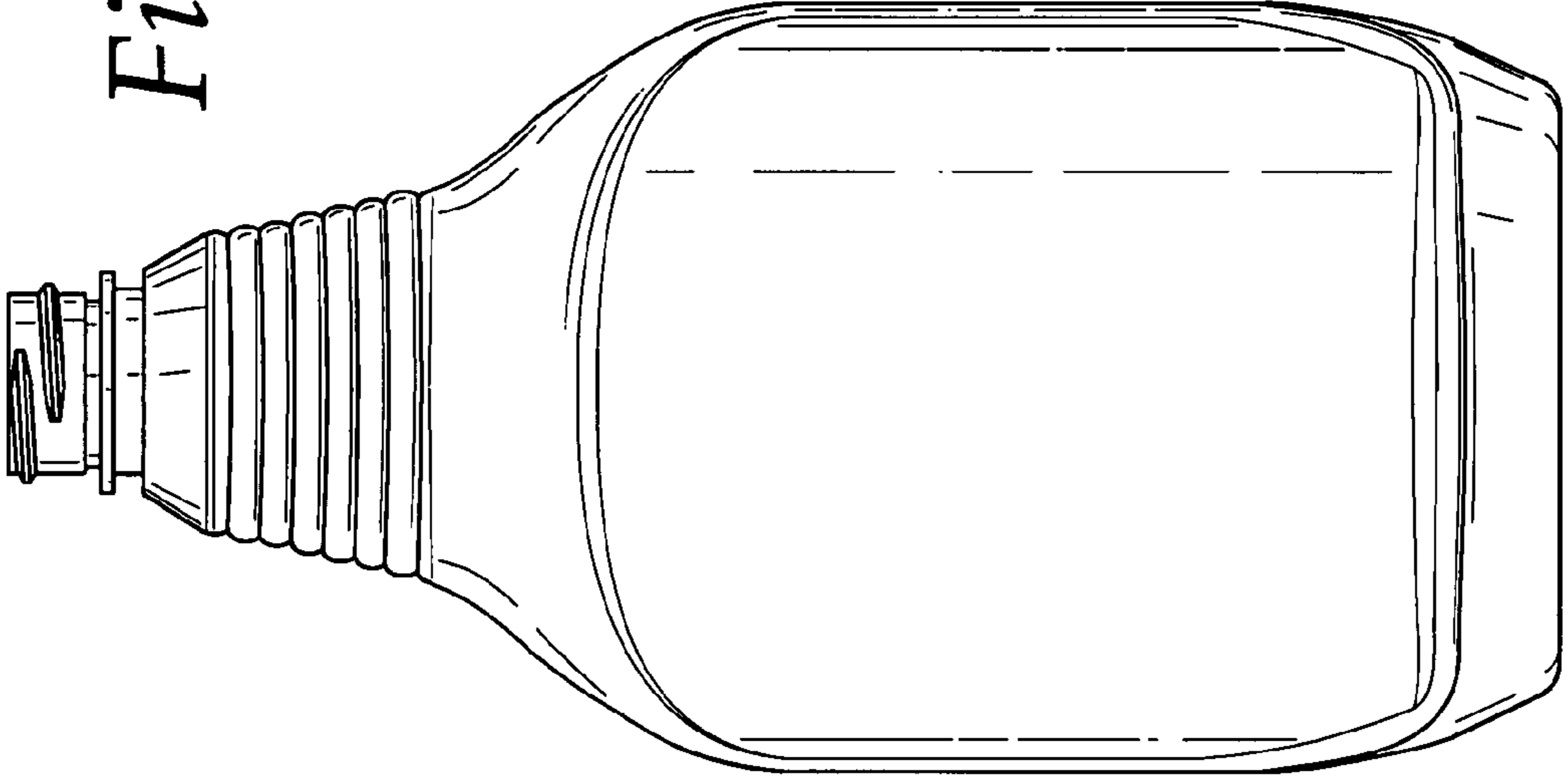


Fig. 2



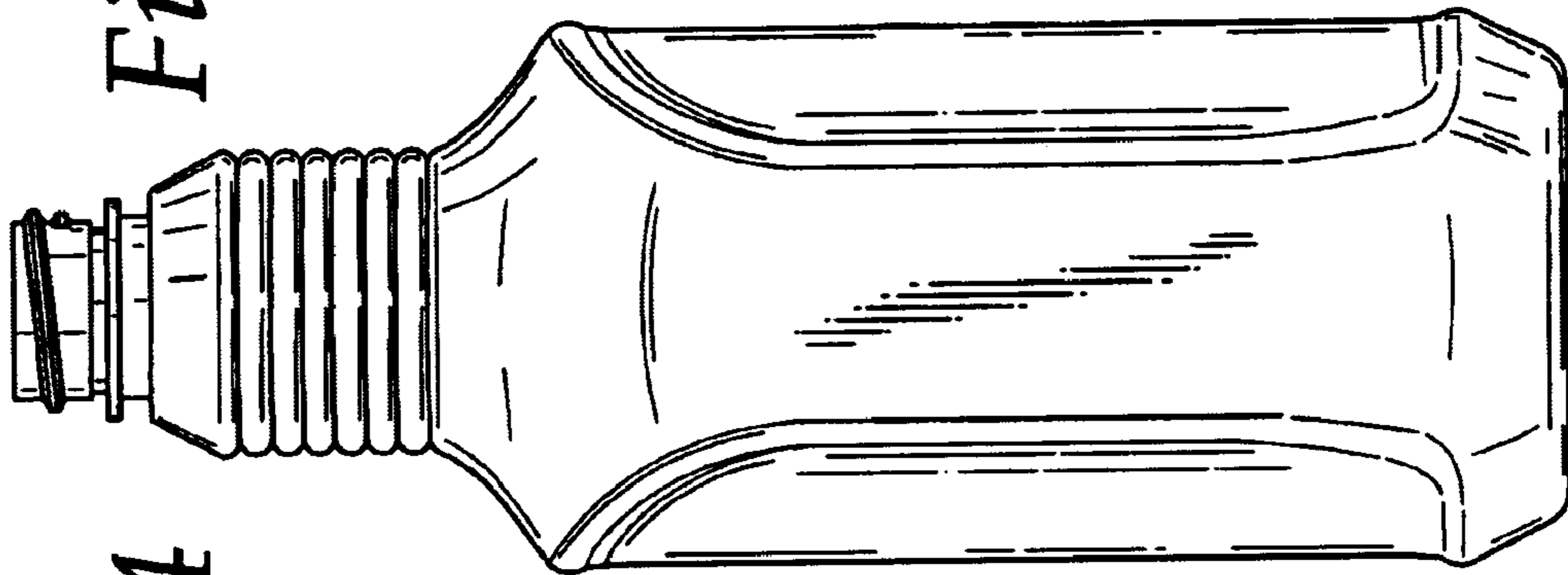


Fig. 4

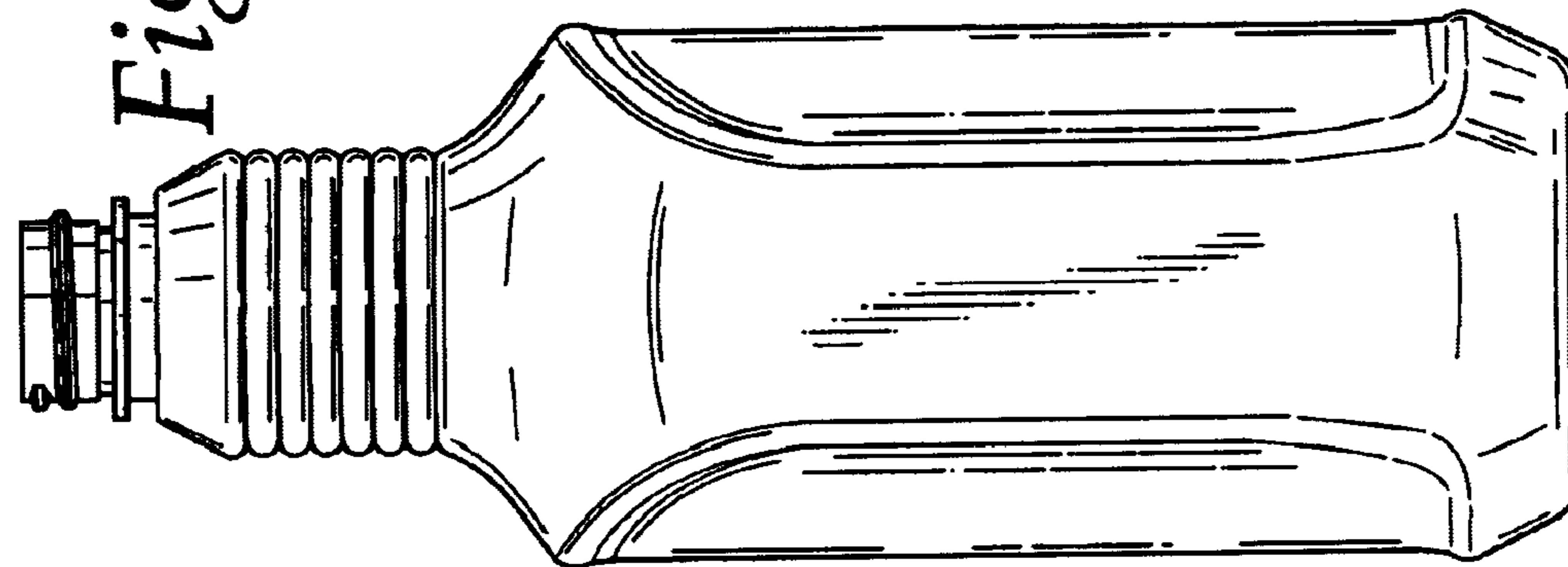


Fig. 5

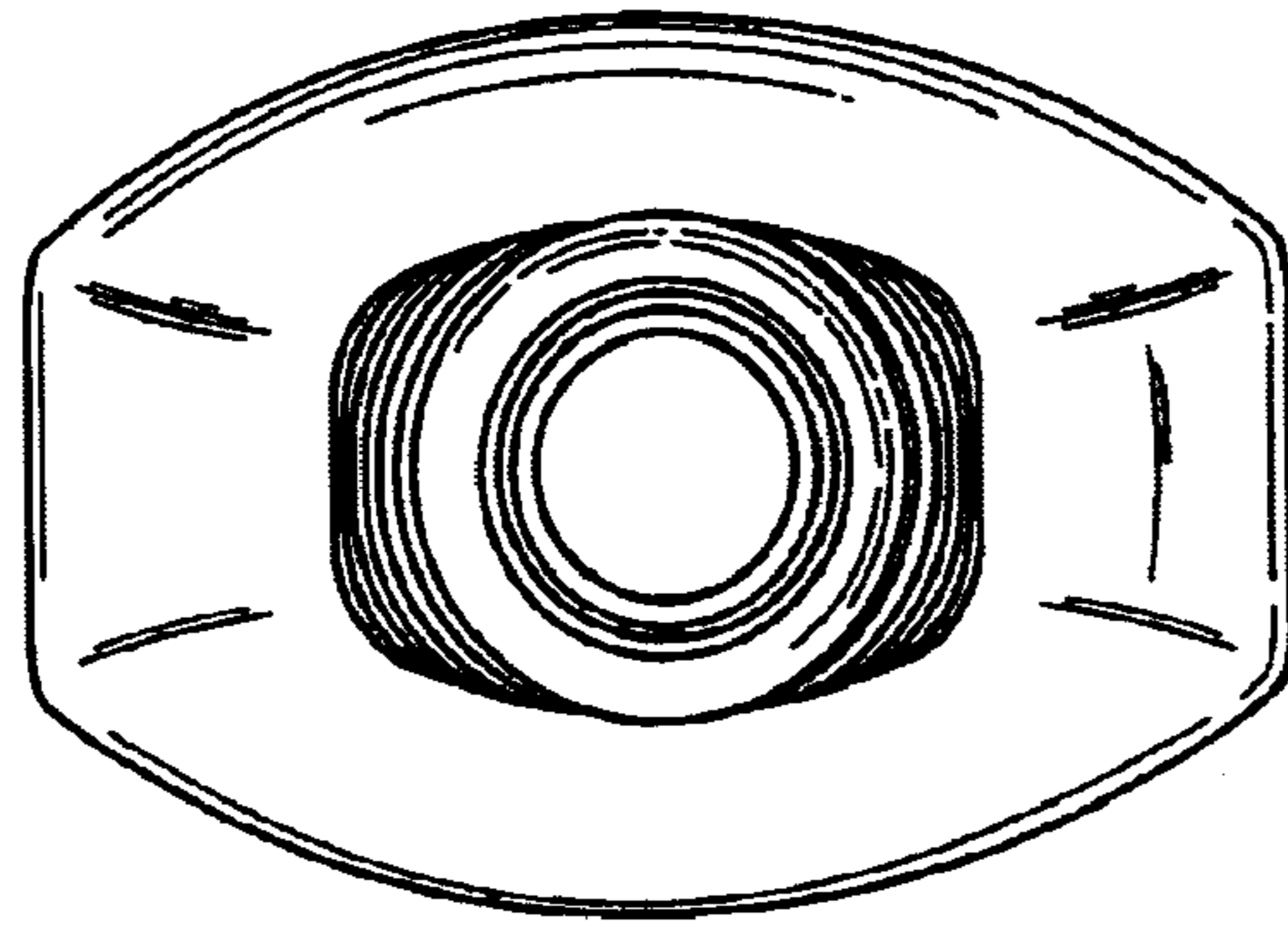


Fig. 6