



US00D556595S

(12) **United States Design Patent** (10) **Patent No.:** **US D556,595 S**
Rucinski (45) **Date of Patent:** **** Dec. 4, 2007**

(54) **CONTOURED CONTAINER**
 (75) Inventor: **Paul J. Rucinski**, Gainesville, FL (US)
 (73) Assignee: **Innovation Technologies, Inc.**,
 Gainesville, FL (US)
 (**) Term: **14 Years**
 (21) Appl. No.: **29/272,790**
 (22) Filed: **Feb. 16, 2007**

D535,891 S * 1/2007 Varlet D9/573
 7,178,684 B1 * 2/2007 Budden et al. 215/381
 D541,162 S * 4/2007 Pleines et al. D9/529
 D541,167 S * 4/2007 Matsumura et al. D9/558
 D547,195 S * 7/2007 Yourist et al. D9/539

* cited by examiner

Primary Examiner—Daniel Bui
Assistant Examiner—Elizabeth J. Oswecki
 (74) *Attorney, Agent, or Firm*—Saliwanchik, Lloyd &
 Saliwanchik

(51) **LOC (8) Cl.** **09-01**
 (52) **U.S. Cl.** **D9/558; D9/556**
 (58) **Field of Classification Search** D9/448,
 D9/516, 520, 521, 525, 529, 530, 537, 538,
 D9/539, 540, 549, 551, 556, 557, 558, 564,
 D9/569, 570, 682, 686, 689, 690, 691; 215/379,
 215/381–385; 220/660, 662, 669, 670
 See application file for complete search history.

(57) **CLAIM**

The ornamental design for a contoured container, as shown and described.

DESCRIPTION

FIG. 1 is a right side elevation view of the first embodiment of a contoured container showing my new design, the left side view being a mirror image thereof;

FIG. 2 is a front elevation view thereof, the back elevation view being a mirror image thereof;

FIG. 3 is a top plan view thereof;

FIG. 4 is a bottom plan view thereof;

FIG. 5 is a right side elevation view of the second embodiment of a contoured container, the left side view being a mirror image thereof;

FIG. 6 is a front elevation view thereof, the back view being a mirror image thereof;

FIG. 7 is a top plan view thereof; and,

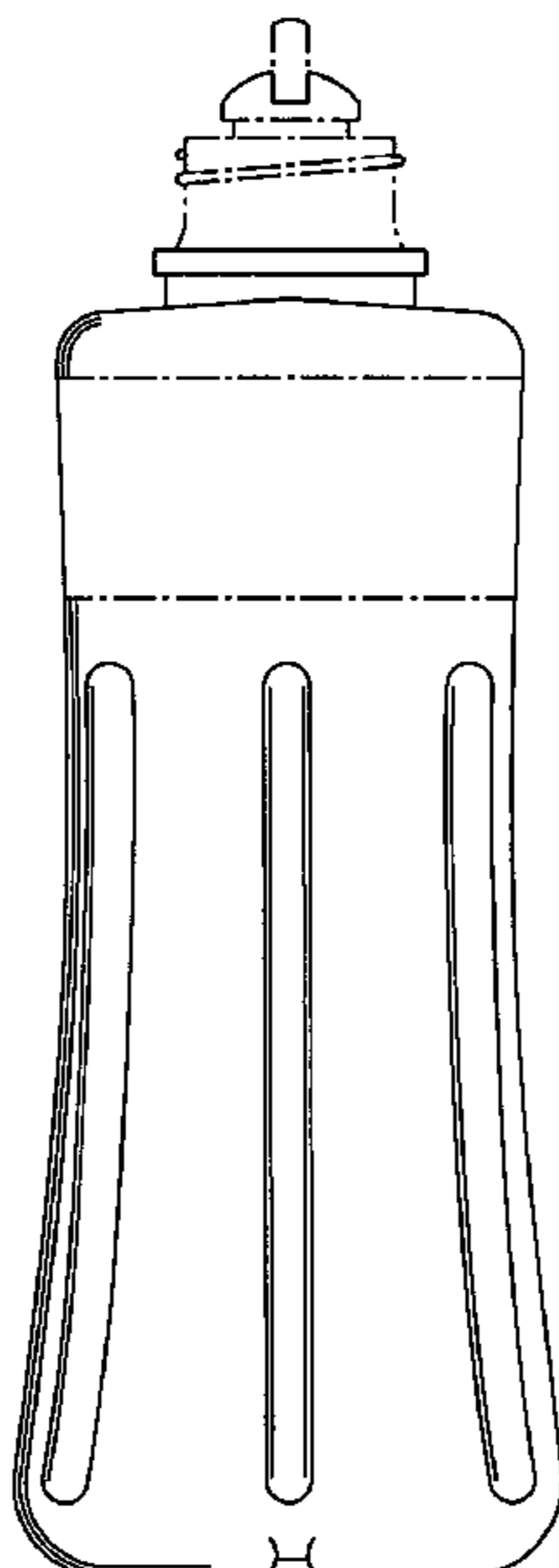
FIG. 8 is a bottom plan view thereof.

The portions shown in broken lines are included for illustrative purposes only and form no part of the claimed designs.

(56) **References Cited**
 U.S. PATENT DOCUMENTS

D95,965 S * 6/1935 Kihn D9/541
 D216,541 S * 2/1970 Koenigsberg et al. D9/538
 D409,092 S * 5/1999 Beasley D9/542
 D422,902 S * 4/2000 Kikuchi D9/689
 D432,921 S * 10/2000 Gobe D9/545
 D441,292 S * 5/2001 Mohary et al. D9/520
 D444,390 S * 7/2001 Kokenge et al. D9/530
 D467,807 S * 12/2002 Bakic D9/521
 D478,278 S * 8/2003 Masotta et al. D9/530
 D480,649 S * 10/2003 Lim D9/530
 6,837,390 B2 * 1/2005 Lane et al. 215/381
 D505,079 S * 5/2005 Mulder et al. D9/542
 D522,876 S * 6/2006 Braaten et al. D9/691
 D527,637 S * 9/2006 Bakic D9/521
 D527,650 S * 9/2006 Ross D6/691
 D532,310 S * 11/2006 Yourist D9/538
 D533,064 S * 12/2006 Glynn et al. D9/500

1 Claim, 2 Drawing Sheets



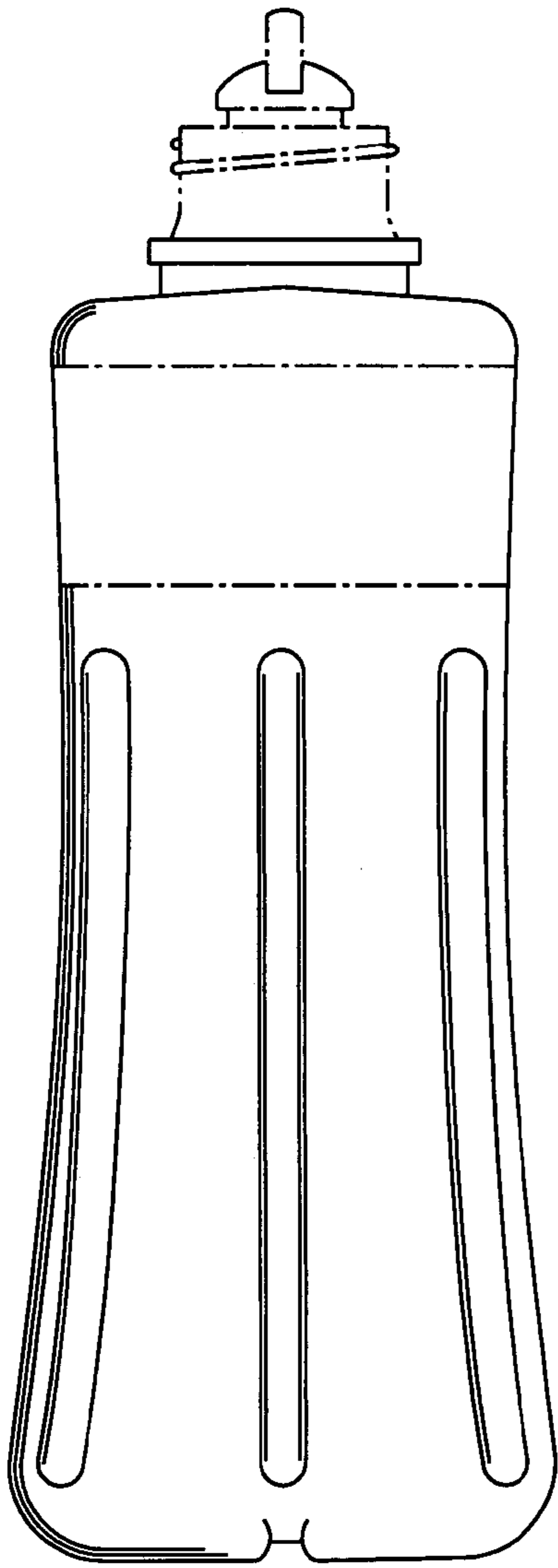


FIG. 1

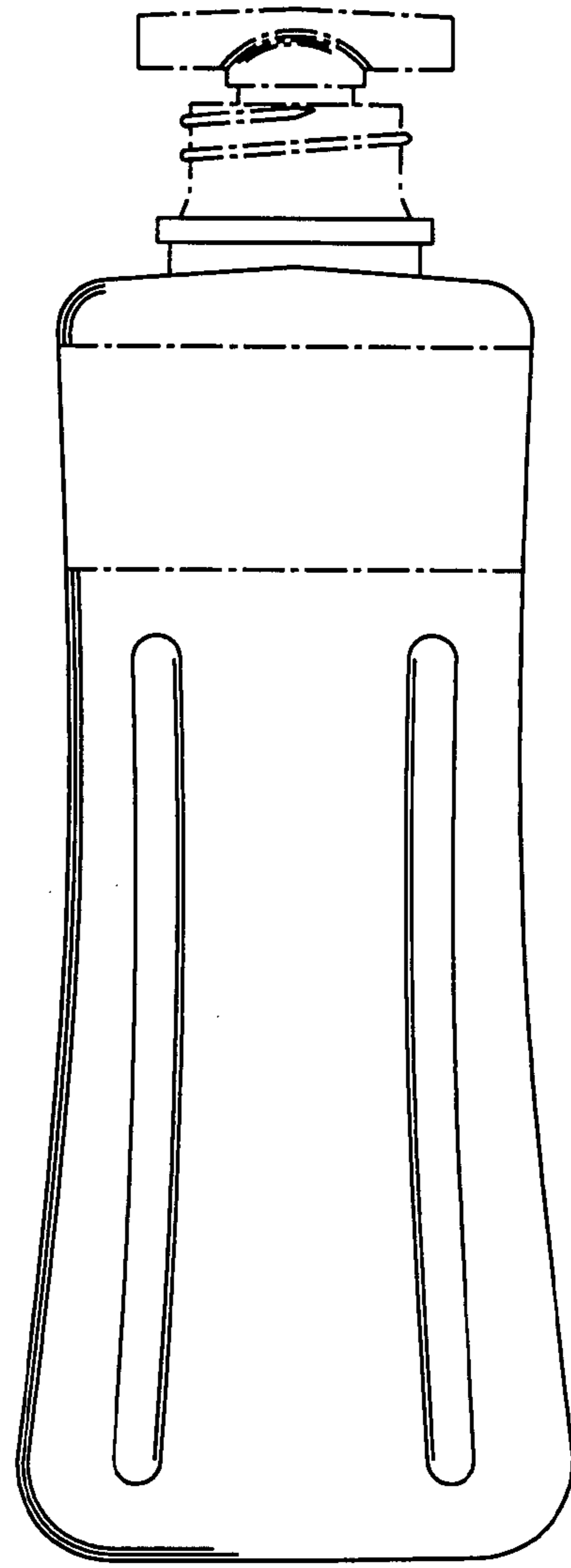


FIG. 2

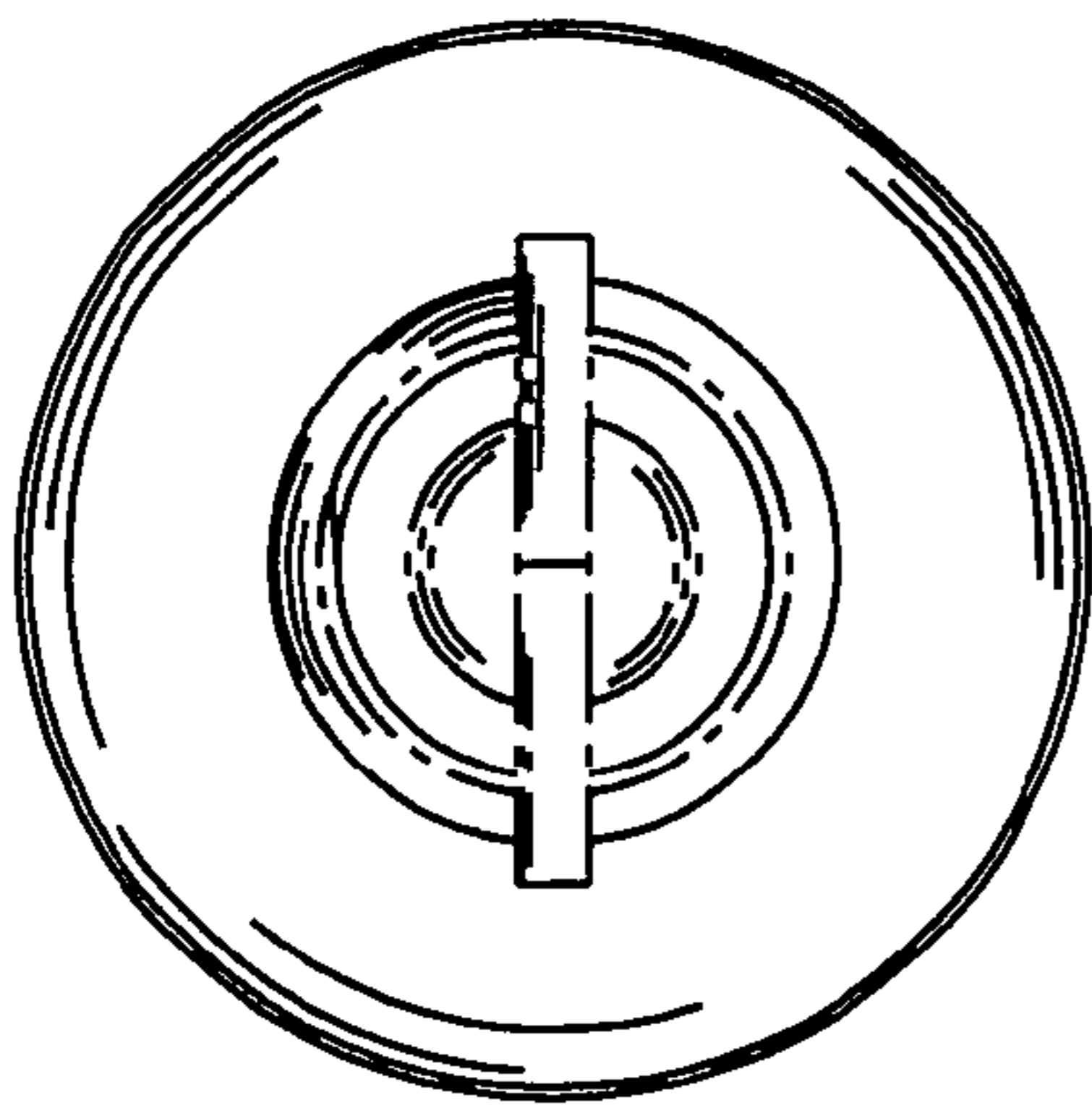


FIG. 3

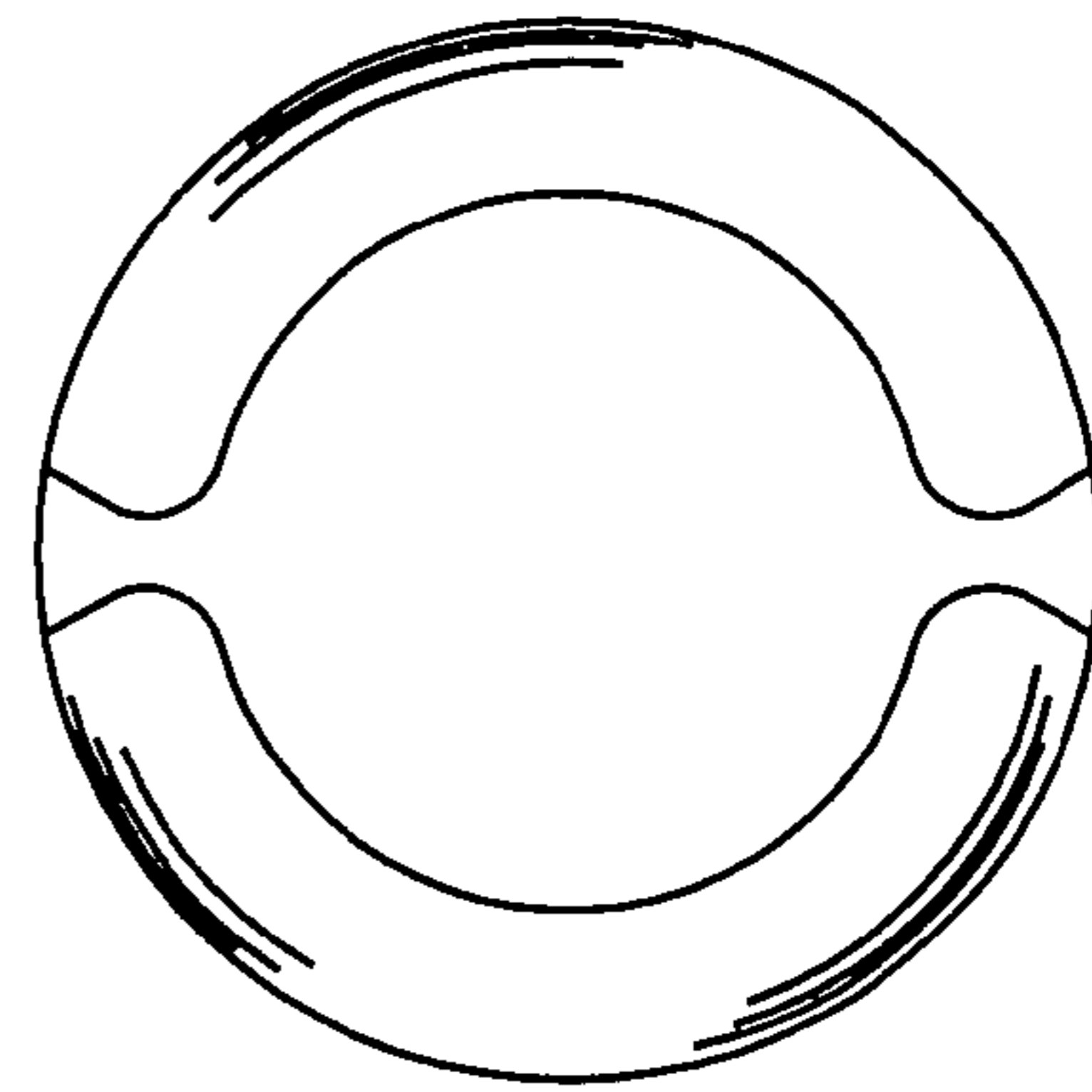


FIG. 4

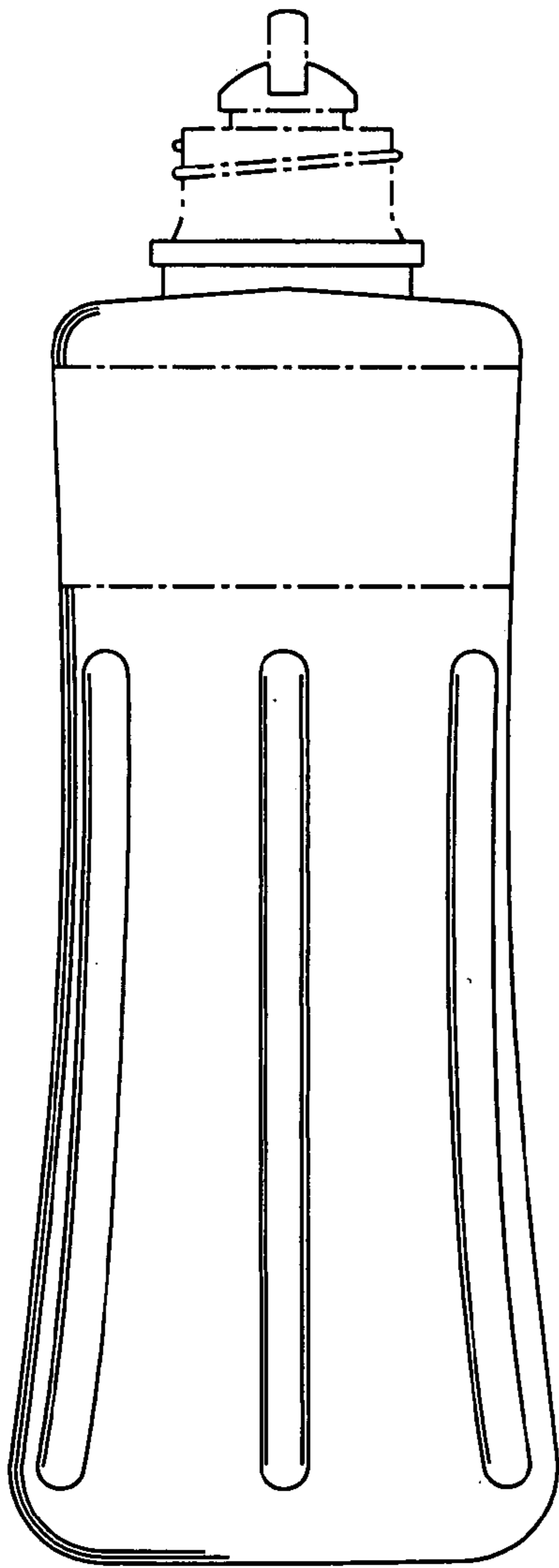


FIG. 5

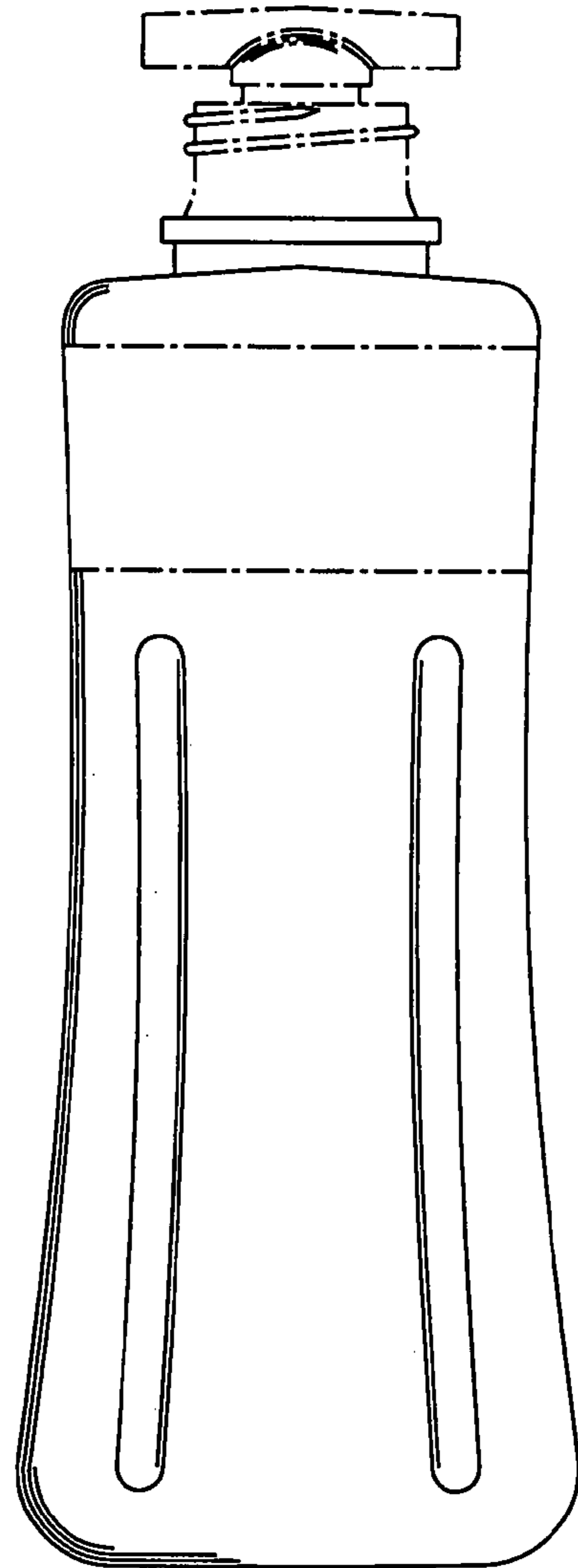


FIG. 6

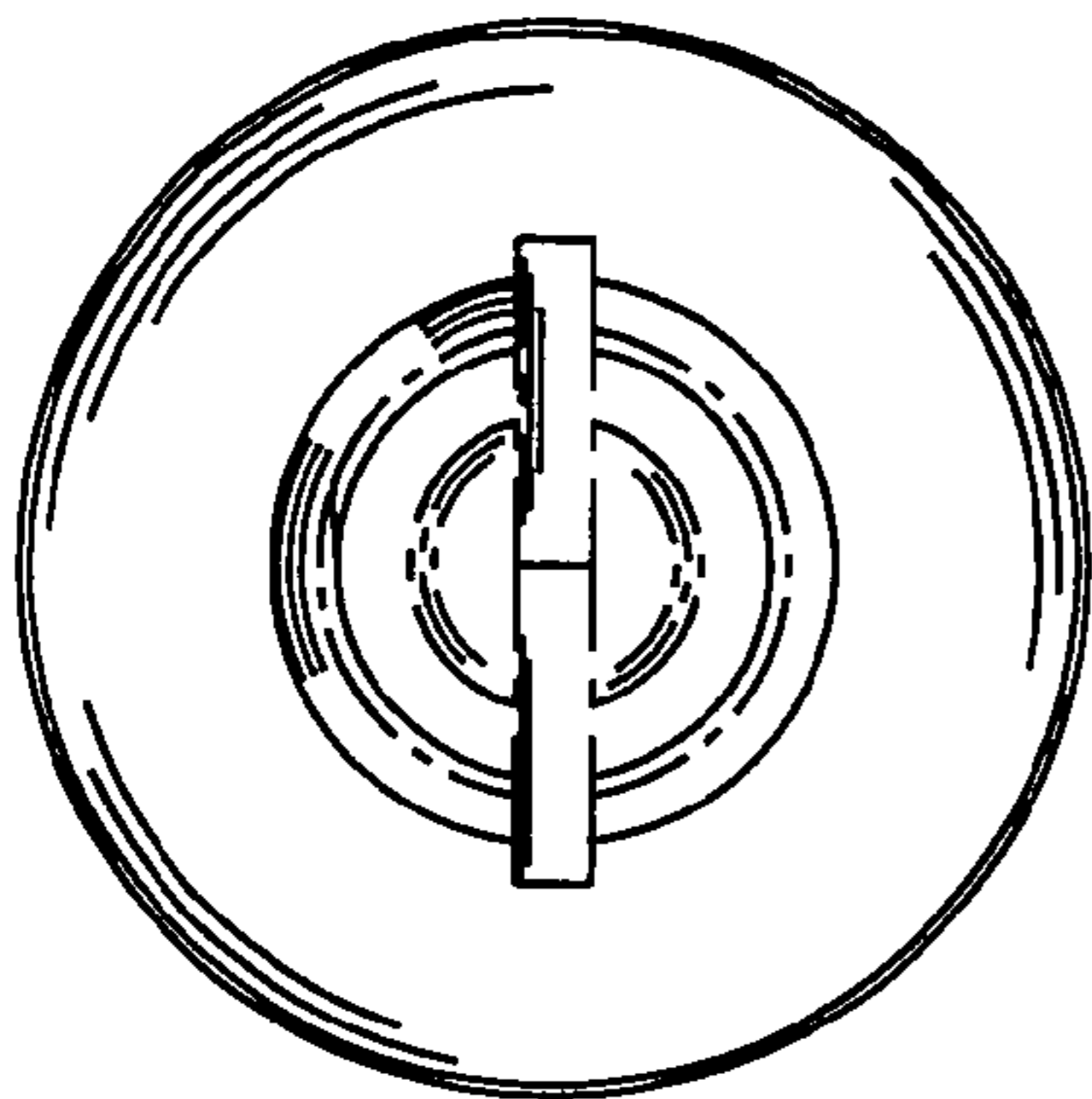


FIG. 7

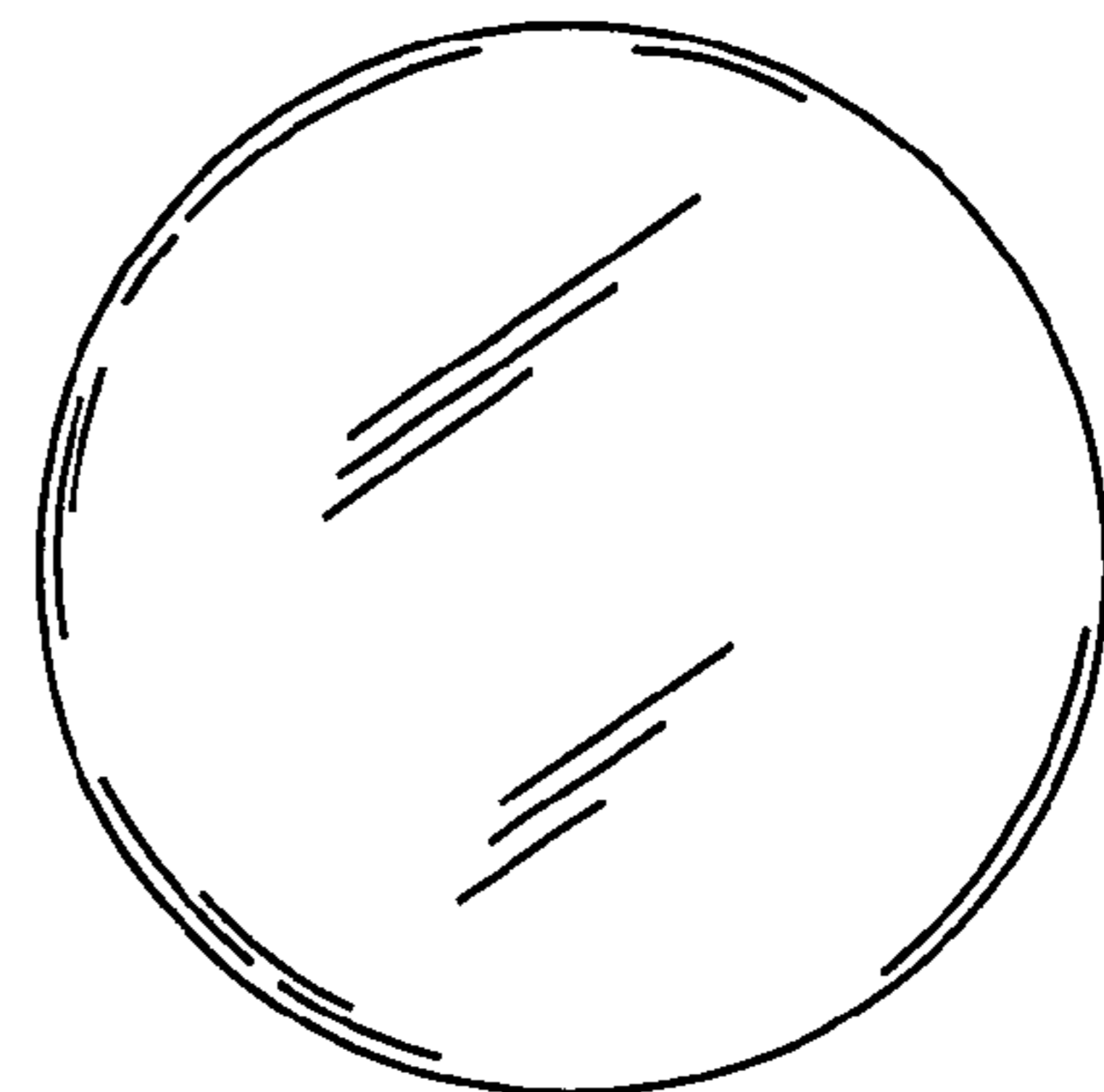


FIG. 8