



US00D556593S

(12) **United States Design Patent**
de Cleir et al.

(10) **Patent No.:** **US D556,593 S**

(45) **Date of Patent:** **** Dec. 4, 2007**

(54) **BOTTLE**

(75) Inventors: **Piarras V. de Cleir**, Tarrytown, NY
(US); **Elsa Alejandra Huerta**, México
City (MX); **Gabriel Paniagua**,
Atizapán de Zaragoza (MX)

(73) Assignee: **Kraft Foods Holdings, Inc.**, Northfield,
IL (US)

(**) Term: **14 Years**

(21) Appl. No.: **29/232,201**

(22) Filed: **Jun. 16, 2005**

(51) **LOC (8) Cl.** **09-01**

(52) **U.S. Cl.** **D9/552; D9/557**

(58) **Field of Classification Search** D9/600,
D9/640, 649, 667-668, 670, 681, 772-776,
D9/779-780, 516, 520, 537-540, 545-547,
D9/549, 551-554, 556-558, 564-567, 569;
D7/509-510; 215/382-384, 396, 398; 239/333
See application file for complete search history.

(56) **References Cited**

U.S. PATENT DOCUMENTS

D100,342 S * 7/1936 Steuernagle D9/552
D308,484 S * 6/1990 Browton D9/550
5,704,504 A * 1/1998 Bueno 215/382 X
D396,640 S * 8/1998 Conrad et al. D9/502

D404,306 S * 1/1999 Steinke D9/557 X
D412,441 S * 8/1999 Cheng et al. D9/552
5,989,661 A * 11/1999 Krishnakumar et al. 215/382 X
6,065,624 A * 5/2000 Steinke 215/383
D426,163 S * 6/2000 Safadi et al. D9/538
D441,658 S * 5/2001 Lichtman et al. D9/538
D449,533 S * 10/2001 Helps et al. D9/557 X
D470,772 S * 2/2003 Egger D9/537
D482,623 S * 11/2003 Martin D9/538
6,666,001 B2 * 12/2003 Mero 215/381 X
D532,304 S * 11/2006 Epstein et al. D9/553 X
2006/0283832 A1 * 12/2006 De Cleir et al. 215/383

* cited by examiner

Primary Examiner—Carol Rademaker

(74) *Attorney, Agent, or Firm*—Stites & Harbison PLLC;
Marvin Petry

(57) **CLAIM**

The ornamental design for a bottle, as shown and described.

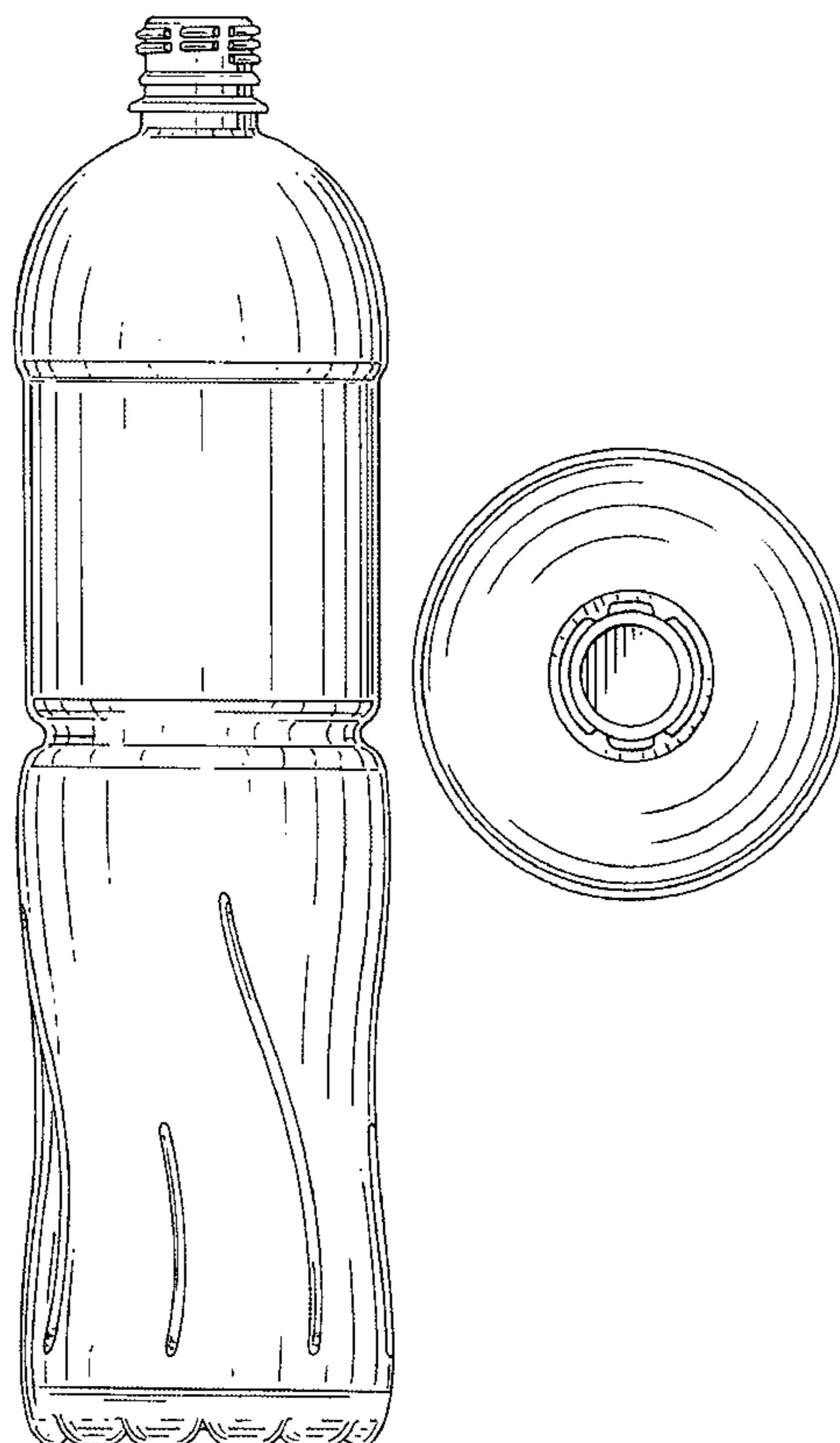
DESCRIPTION

FIG. 1 is a front elevational view of a bottle according to our new design, the rear elevational view being identical except for the threads;

FIG. 2 is a right side elevational view thereof, the left side elevational view being identical except for the threads; and,

FIG. 3 is a top plan view thereof.

1 Claim, 3 Drawing Sheets



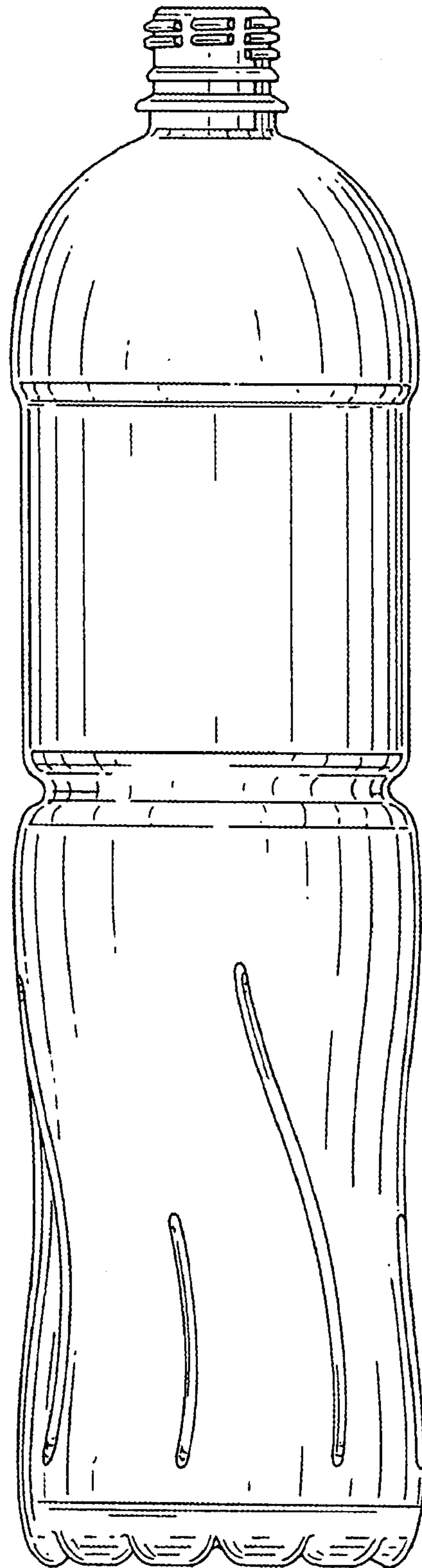


FIG. 1

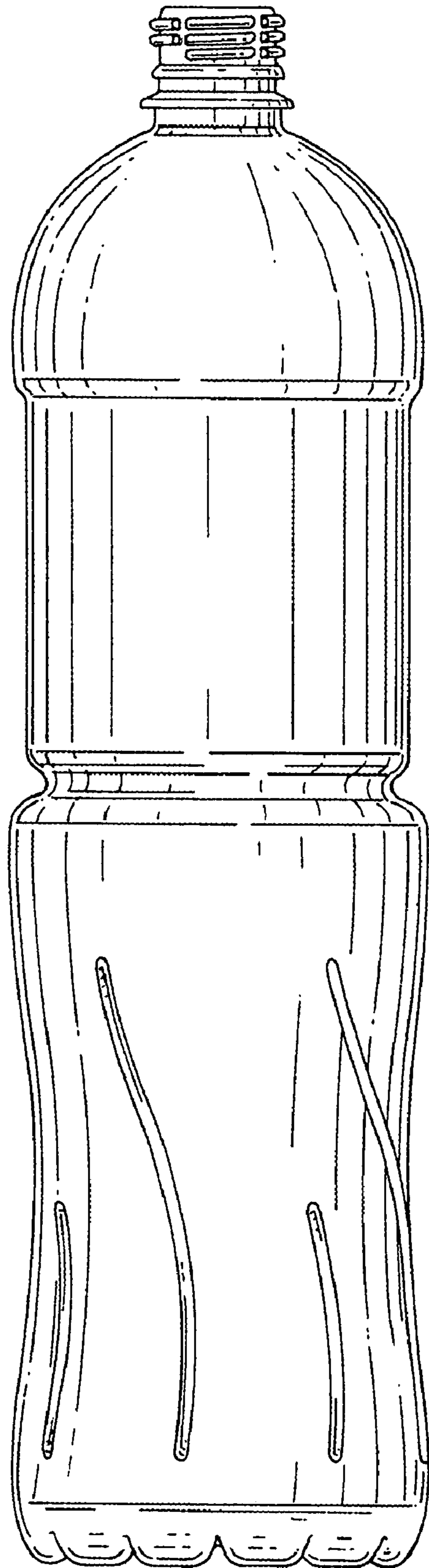


FIG. 2

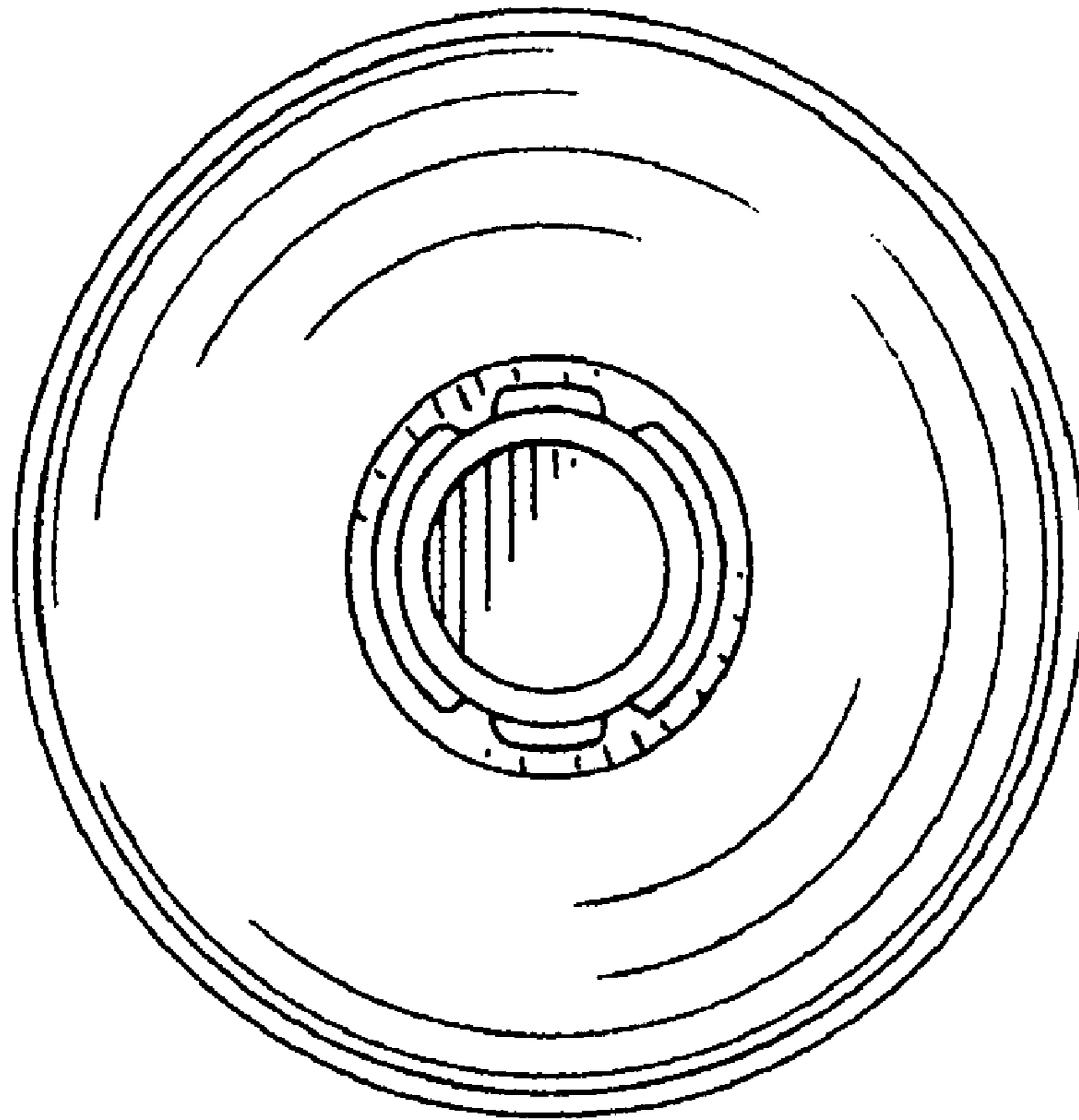


FIG. 3