



US00D556587S

(12) **United States Design Patent**
Kruparova

(10) **Patent No.:** **US D556,587 S**

(45) **Date of Patent:** **** Dec. 4, 2007**

(54) **PLASTIC CONTAINER**

(75) Inventor: **Petra Kruparova**, Banska Bystrica (SK)

(73) Assignee: **Plastipak Packaging, Inc.**, Plymouth, MI (US)

(**) Term: **14 Years**

(21) Appl. No.: **29/266,452**

(22) Filed: **Sep. 21, 2006**

(30) **Foreign Application Priority Data**

Apr. 19, 2006 (EM) 000514310

(51) **LOC (8) Cl.** **09-01**

(52) **U.S. Cl.** **D9/529; D9/516**

(58) **Field of Classification Search** D9/516,
D9/519, 522, 529, 530, 537, 540, 564, 567,
D9/569, 570, 571; 215/381, 382, 383, 384,
215/385

See application file for complete search history.

(56) **References Cited**

U.S. PATENT DOCUMENTS

D339,295 S *	9/1993	Hicks	D9/537
D381,271 S *	7/1997	Paoloski	D9/530
D417,850 S *	12/1999	Miller	D9/542
D420,588 S *	2/2000	Fitelson et al.	D9/434
D424,948 S *	5/2000	Ullmo	D9/540
D446,126 S *	8/2001	Bretz et al.	D9/538

D447,422 S *	9/2001	Peek	D9/552
D453,686 S *	2/2002	Petursdottir	D9/570
D468,211 S *	1/2003	Harris	D9/530
D482,976 S *	12/2003	Melrose	D9/537
D538,662 S *	3/2007	Goetz et al.	D9/516
D543,116 S *	5/2007	Heisner	D9/540
D544,367 S *	6/2007	Calderon-Bautista	D9/668

* cited by examiner

Primary Examiner—Stella M. Reid

Assistant Examiner—Elizabeth J Oswecki

(74) *Attorney, Agent, or Firm*—Robert H. Bachman

(57) **CLAIM**

The ornamental design for a plastic container, as shown and described.

DESCRIPTION

FIG. 1 is a front, top, and right side elevation view of a plastic container showing my new design;

FIG. 2 is a front side elevation view thereof;

FIG. 3 is a rear side elevation view thereof;

FIG. 4 is a left side elevation view thereof;

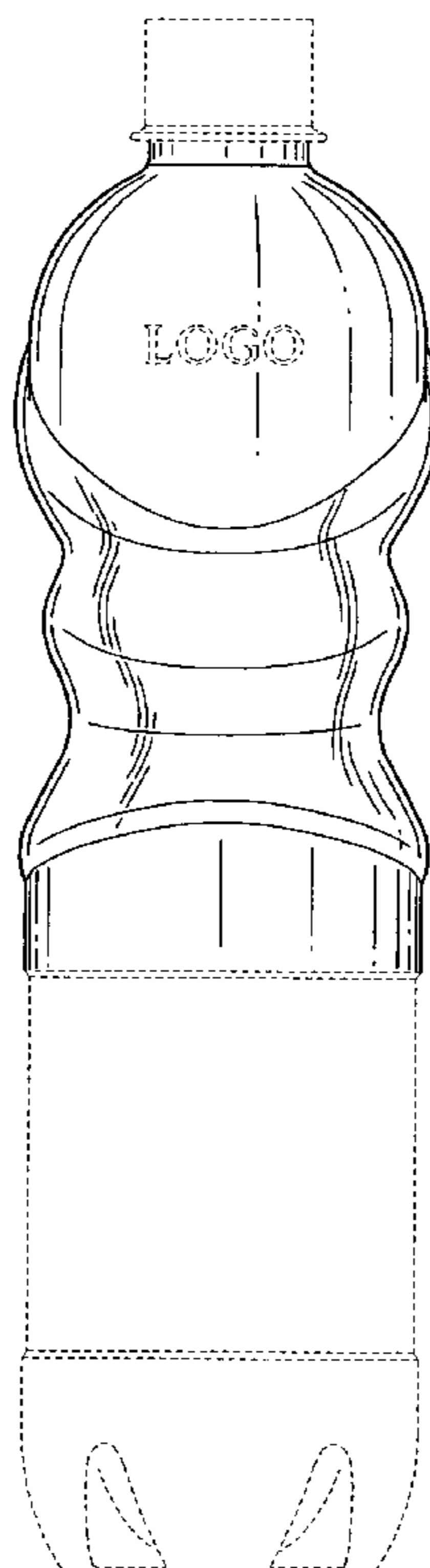
FIG. 5 is a right side elevation view thereof;

FIG. 6 is a top plan view thereof; and,

FIG. 7 is a bottom plan view thereof.

The broken lines in the drawings depict probable environment only and form no part of the claimed design.

1 Claim, 6 Drawing Sheets



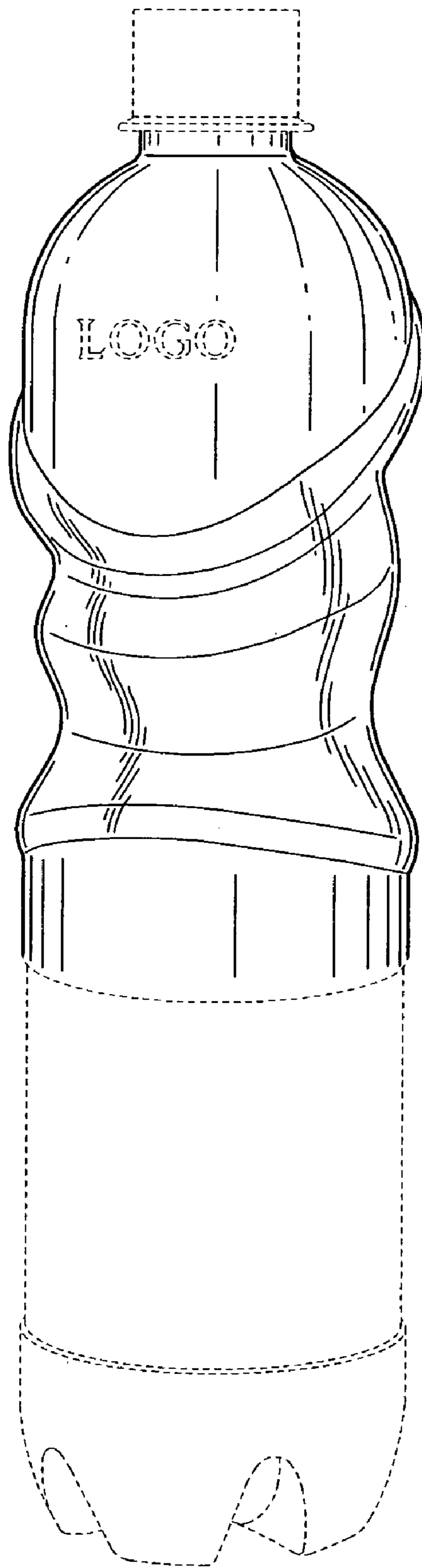


FIG. 1

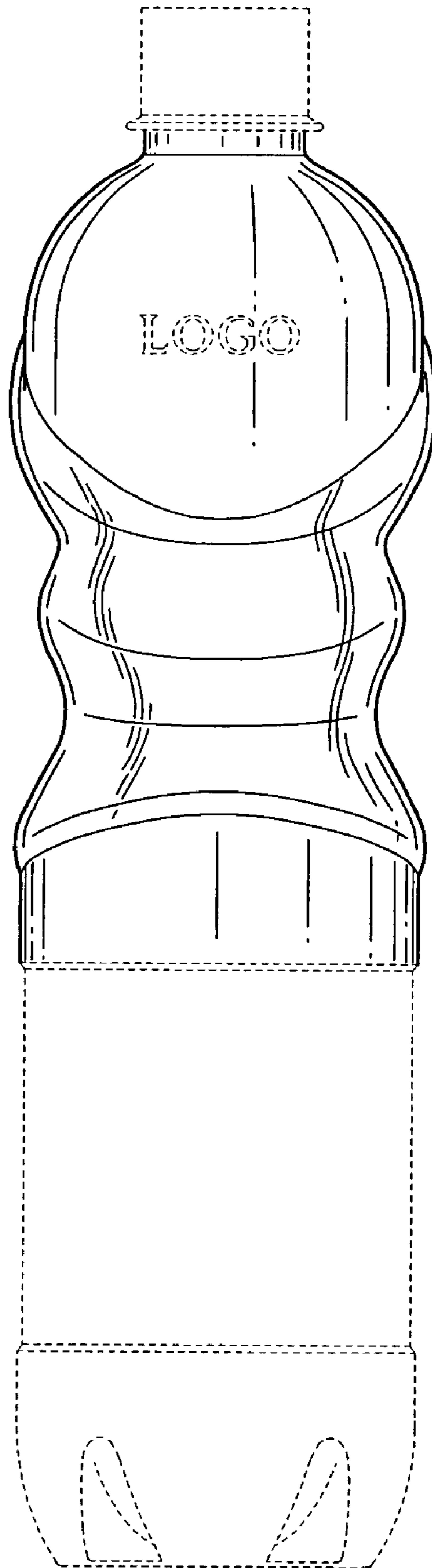


FIG. 2

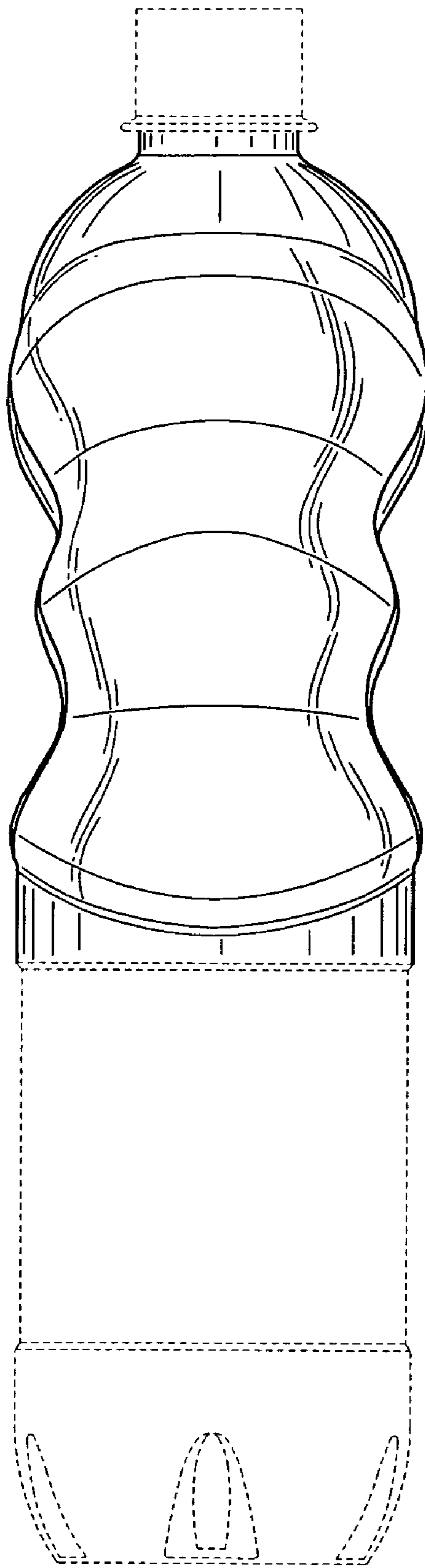


FIG. 3

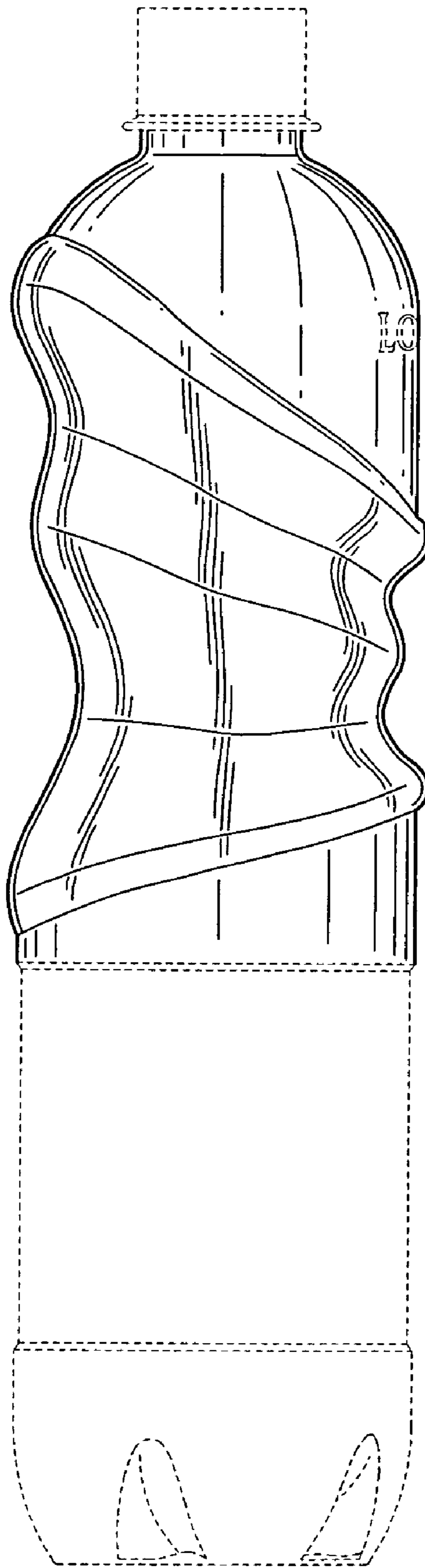


FIG. 4

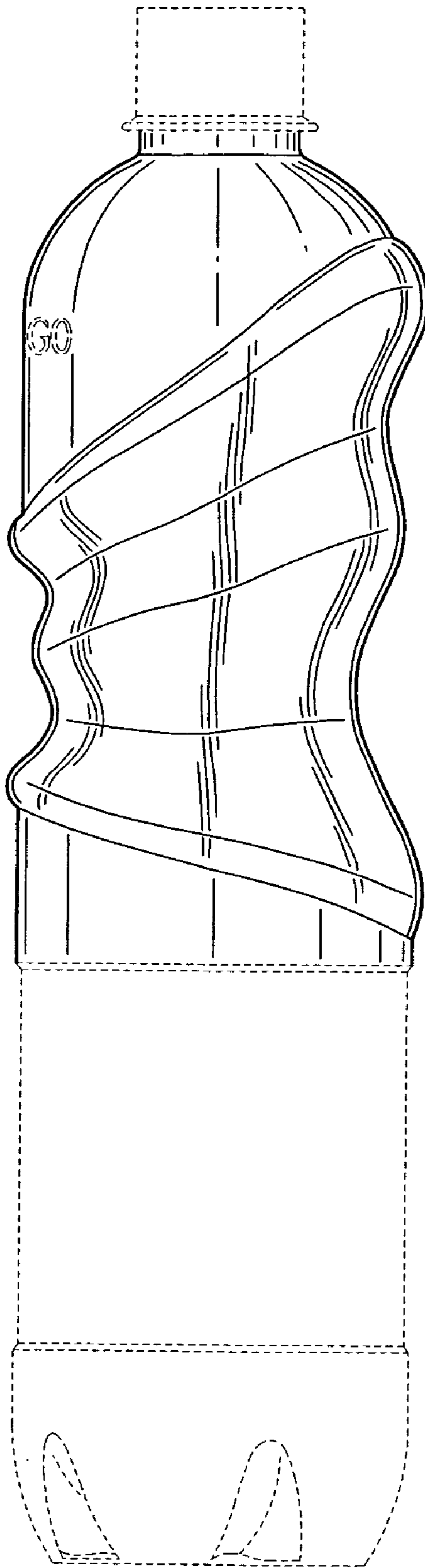


FIG. 5

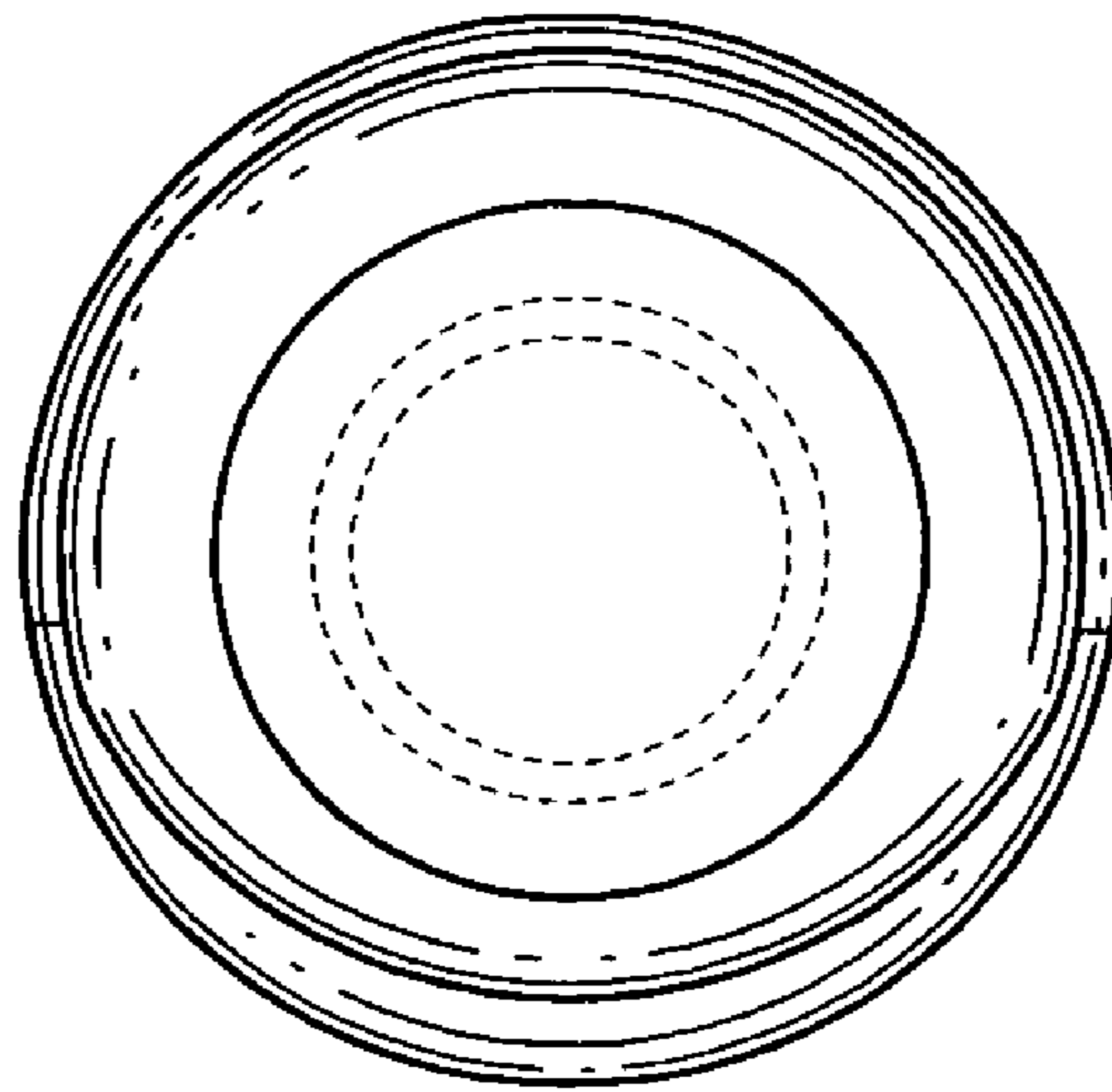


FIG. 6

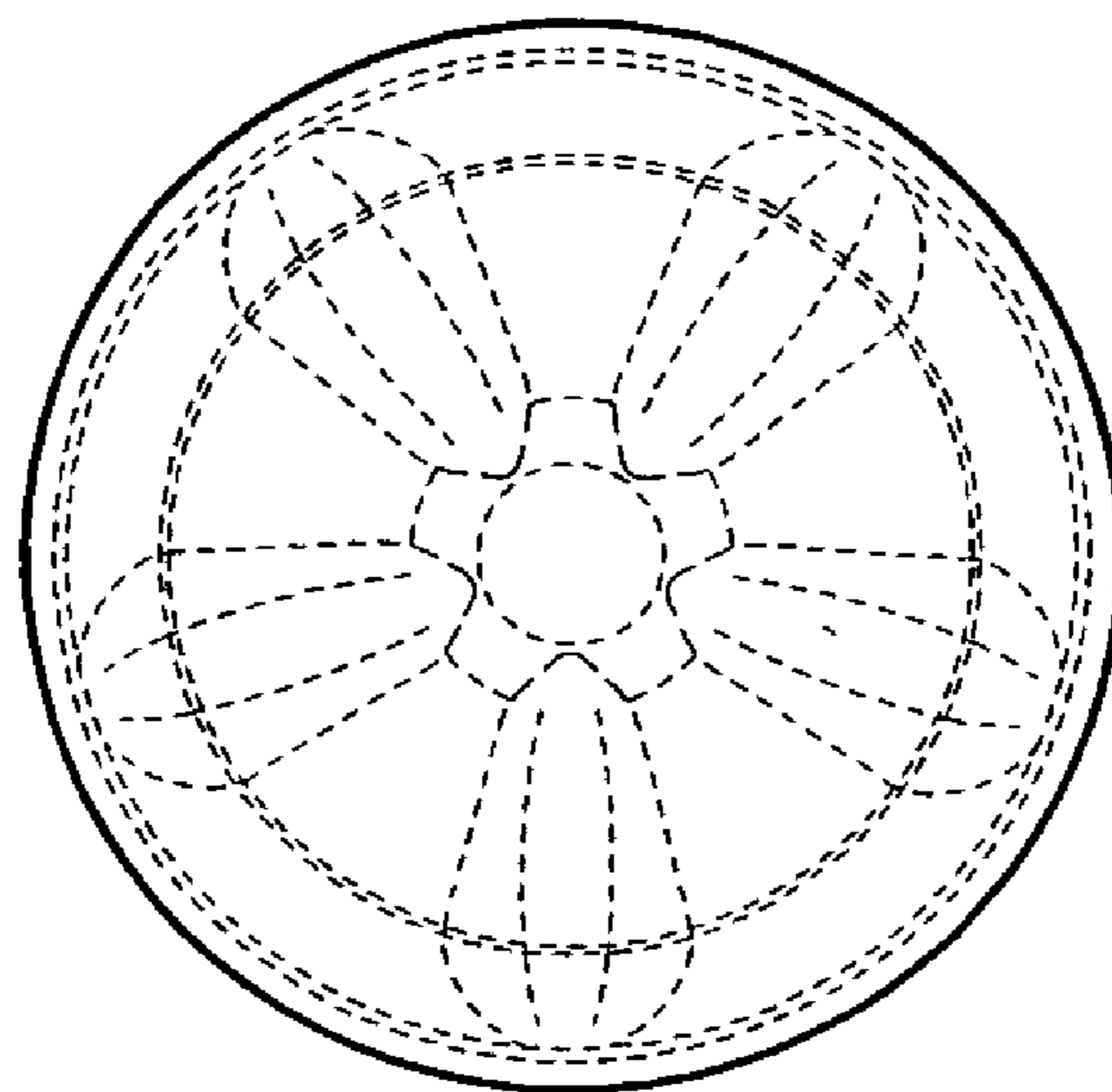


FIG. 7