



US00D556584S

(12) **United States Design Patent**  
**Dorn**

(10) **Patent No.:** **US D556,584 S**

(45) **Date of Patent:** **\*\* Dec. 4, 2007**

(54) **PLASTIC CONTAINER**

(75) Inventor: **James C. Dorn**, Norton, OH (US)

(73) Assignee: **Plastipak Packaging, Inc.**, Plymouth, MI (US)

(\*\*) Term: **14 Years**

(21) Appl. No.: **29/269,004**

(22) Filed: **Nov. 17, 2006**

(51) **LOC (8) Cl.** ..... **09-01**

(52) **U.S. Cl.** ..... **D9/527; D9/531**

(58) **Field of Classification Search** ..... D9/516,  
D9/523, 524, 527, 528, 530, 531, 537, 540,  
D9/542, 543, 549, 550, 558, 563, 574, 575;  
D7/306, 312, 313; D23/211, 211.1; 141/22;  
215/40, 41, 200, 205, 217, 223, 318, 319,  
215/380, 382-385, 396, 398; 220/200, 260,  
220/890; 222/92, 94, 109, 210, 212, 215,  
222/465.1, 568

See application file for complete search history.

(56) **References Cited**

**U.S. PATENT DOCUMENTS**

4,781,314 A \* 11/1988 Schoonover et al. .... 222/465.1  
D305,981 S \* 2/1990 Levee ..... D7/313  
D337,234 S \* 7/1993 McGinnis ..... D7/306  
D339,022 S \* 9/1993 McGinnis et al. .... D7/306  
D341,514 S \* 11/1993 McGinnis ..... D7/313

D354,414 S \* 1/1995 Westgerdes ..... D7/313  
5,433,346 A \* 7/1995 Howe ..... 222/94  
D370,379 S \* 6/1996 Klein et al. .... D7/313  
D452,956 S \* 1/2002 Hari et al. .... D9/527  
D461,131 S \* 8/2002 Leray et al. .... D9/524  
6,631,744 B1 \* 10/2003 Gerhart et al. .... 141/22

\* cited by examiner

*Primary Examiner*—Stella M. Reid

*Assistant Examiner*—Shanda C. Hill

(74) *Attorney, Agent, or Firm*—Robert H. Bachman

(57) **CLAIM**

The ornamental design for a plastic container, as shown and described.

**DESCRIPTION**

FIG. 1 is a top, front right perspective view of a plastic container showing my new design;

FIG. 2 is a front elevation view thereof;

FIG. 3 is a rear elevation view thereof;

FIG. 4 is a top plan view thereof;

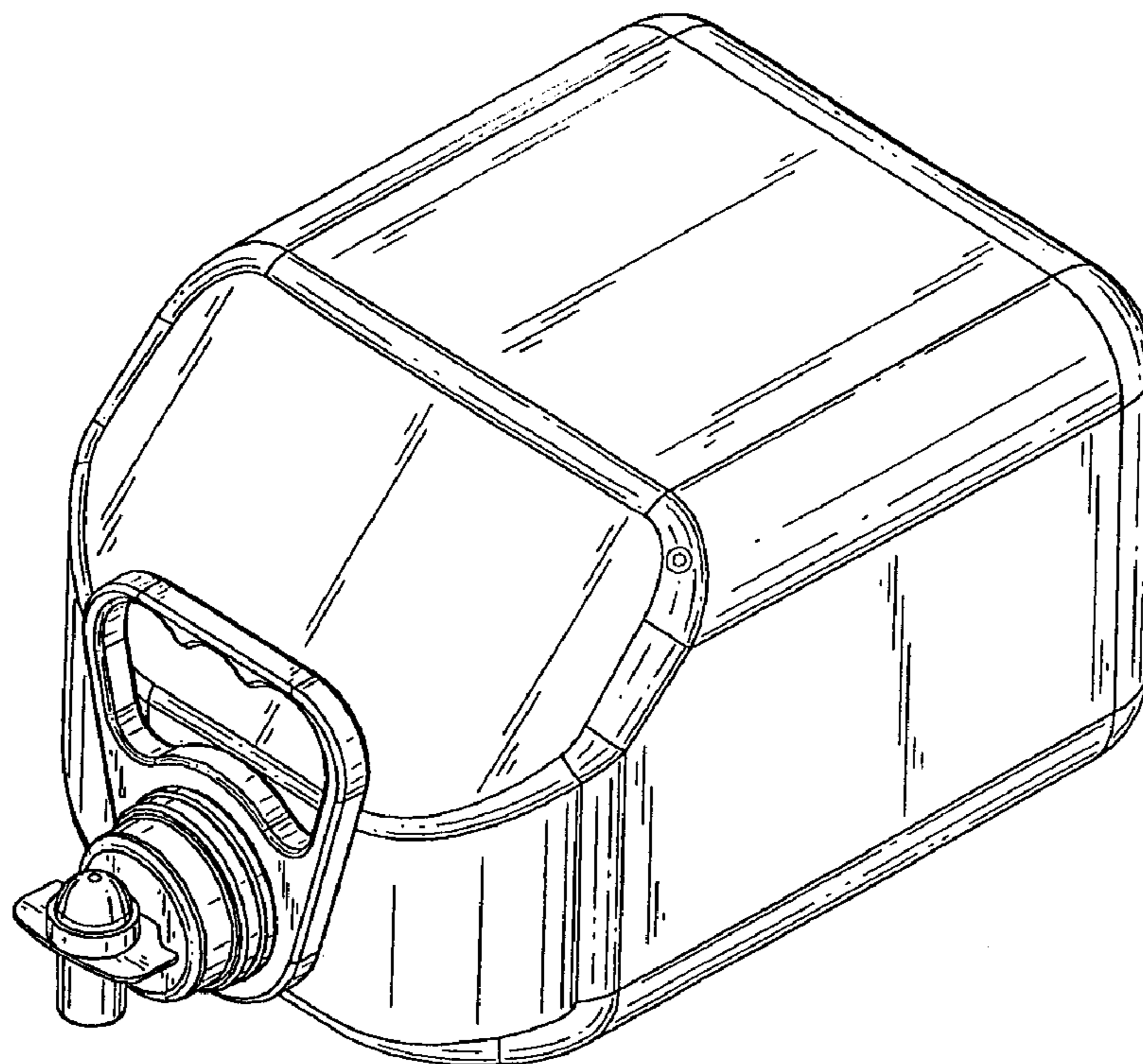
FIG. 5 is a bottom plan view thereof;

FIG. 6 is a right side view thereof; and,

FIG. 7 is a left side view thereof.

The broken lines shown in the drawings are for illustrative purposes only and form no part of the claimed design.

**1 Claim, 3 Drawing Sheets**



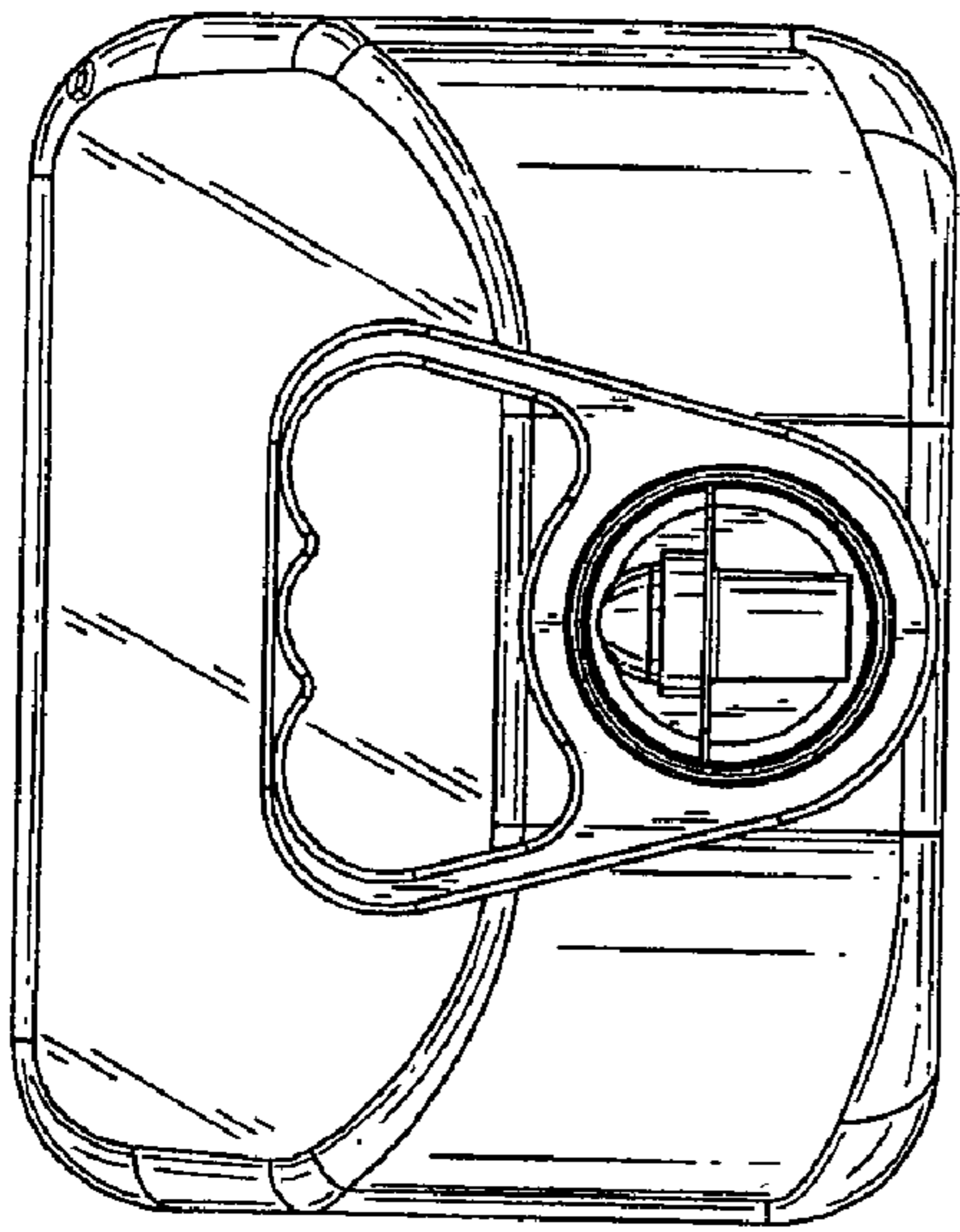


FIG. 2

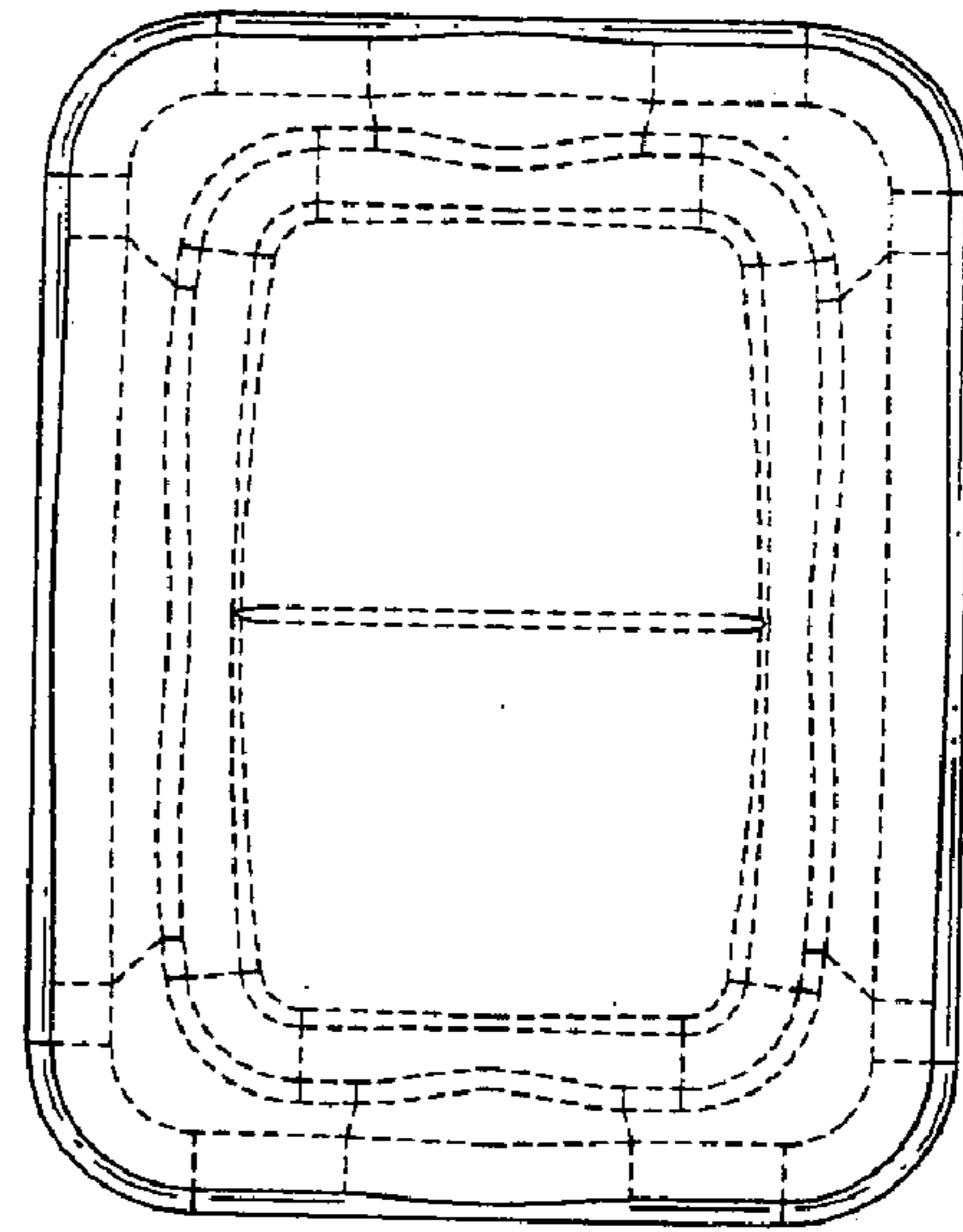


FIG. 3

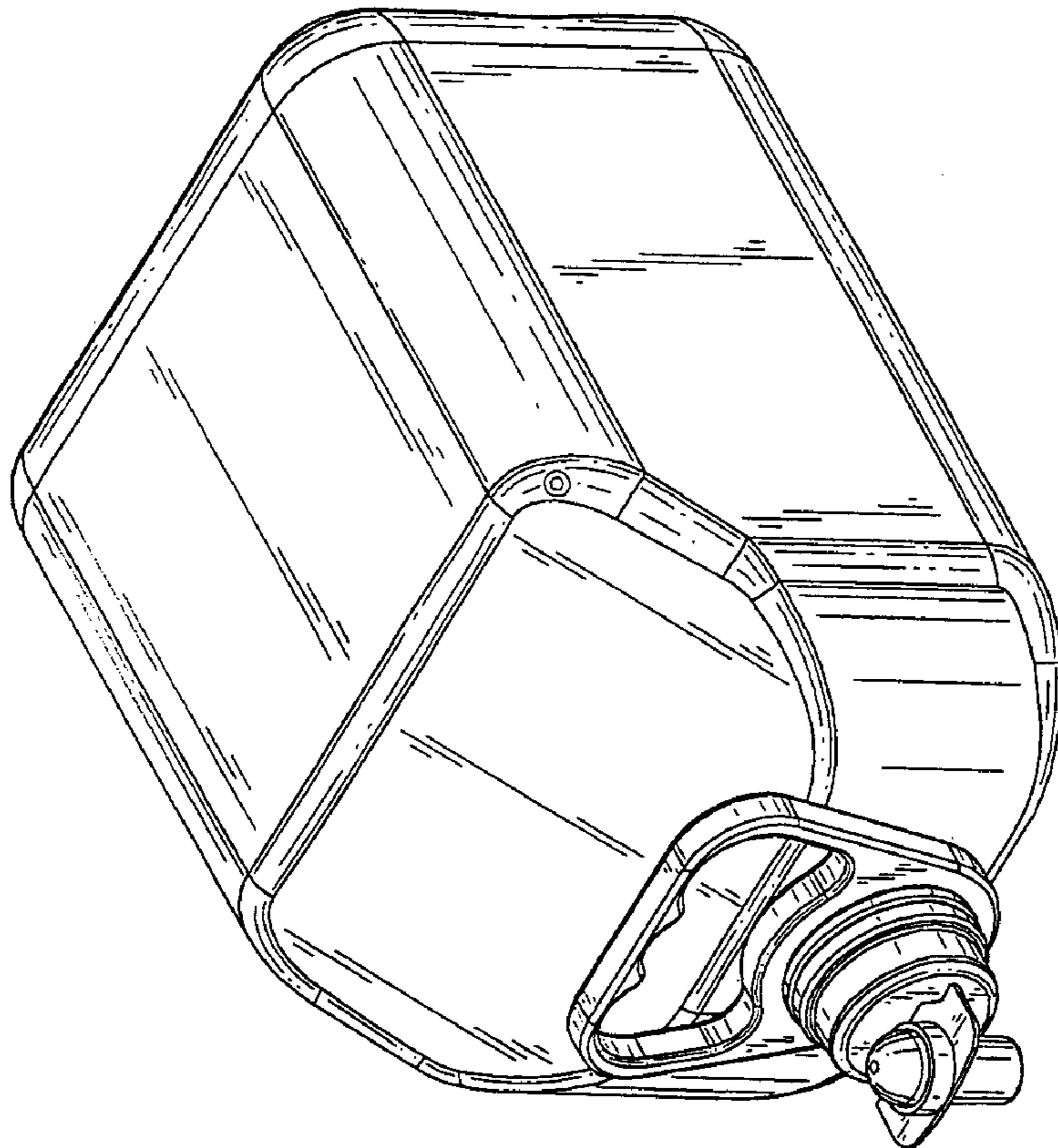


FIG. 1

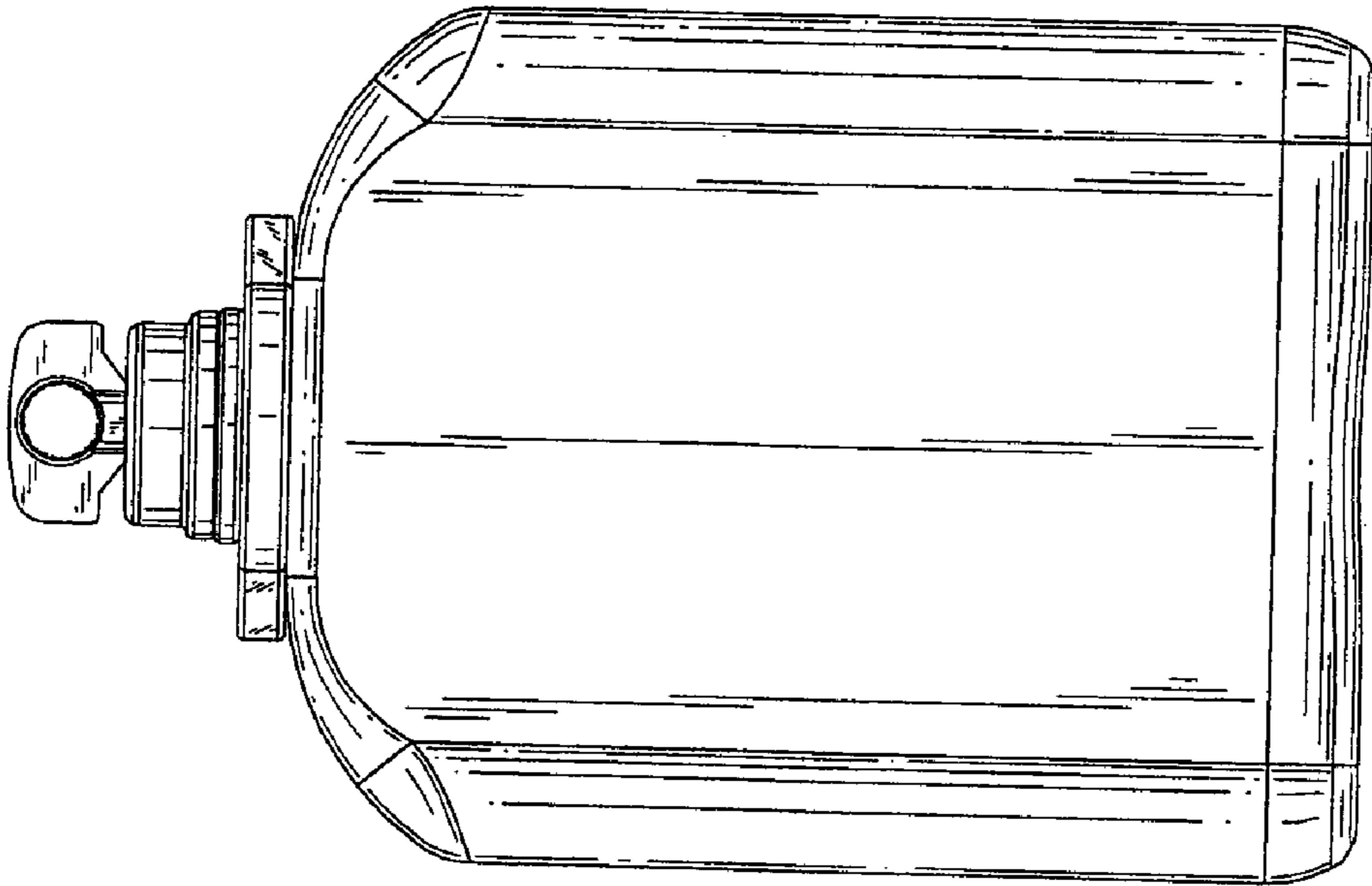


FIG. 5

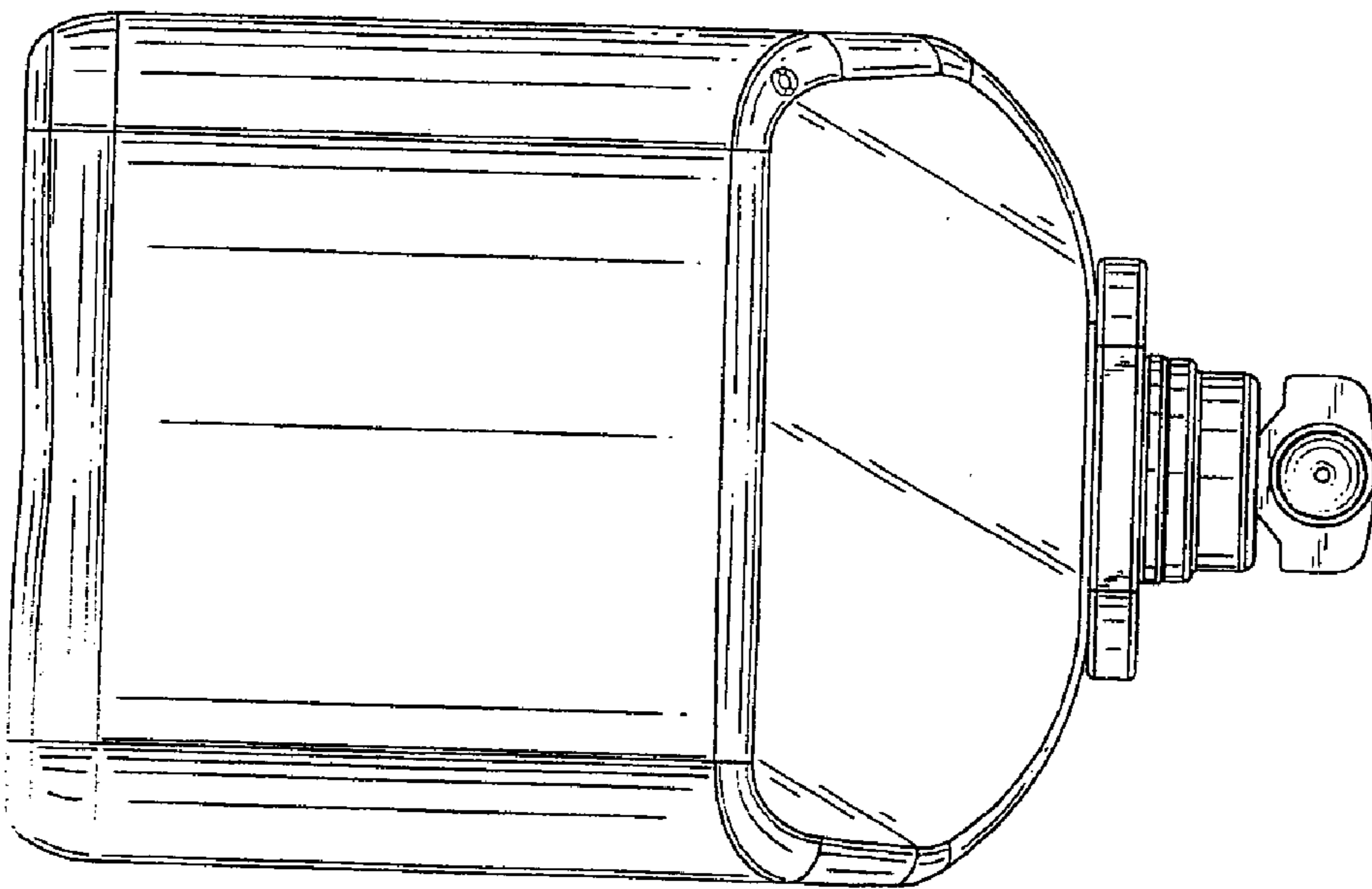
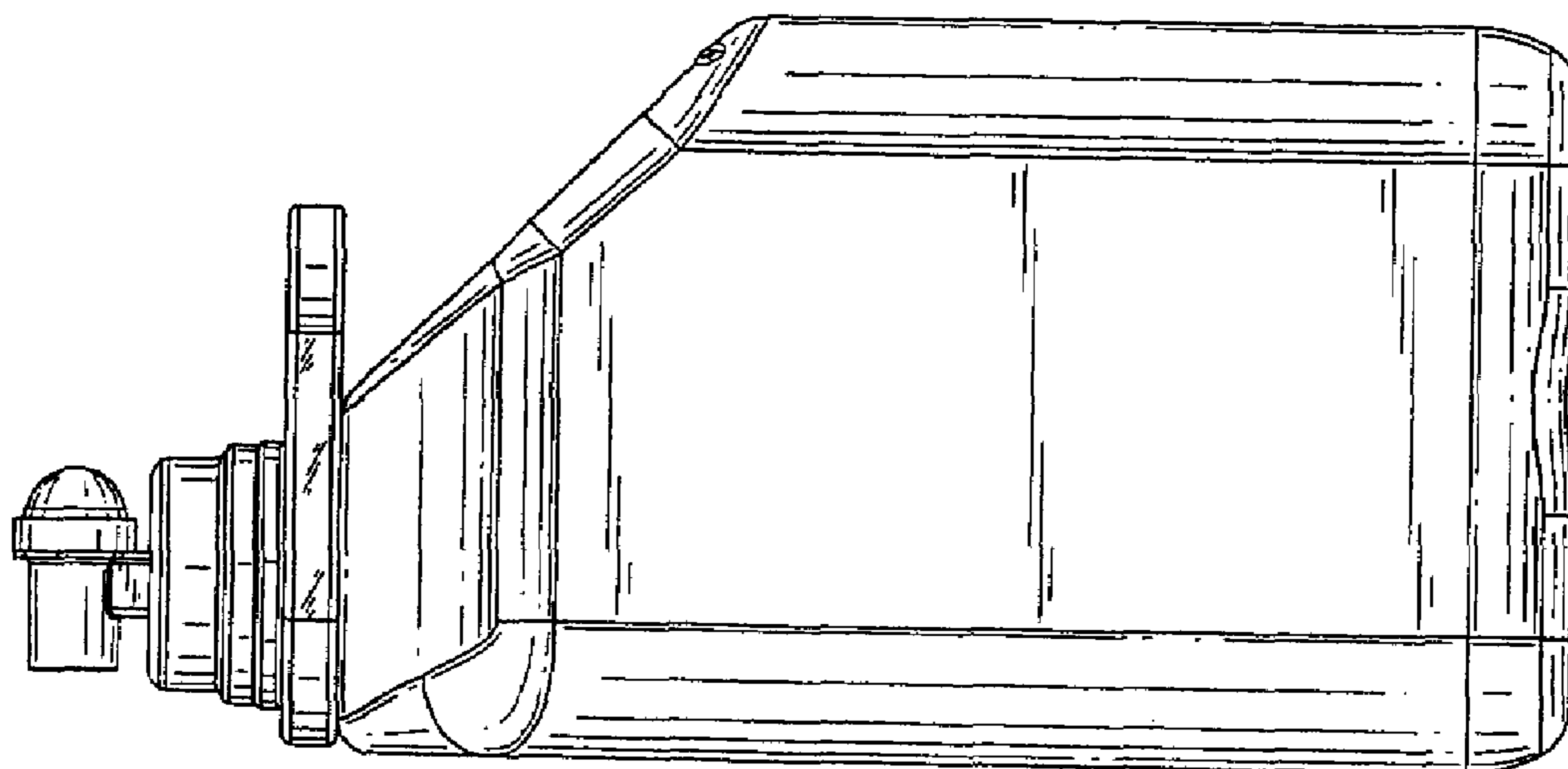
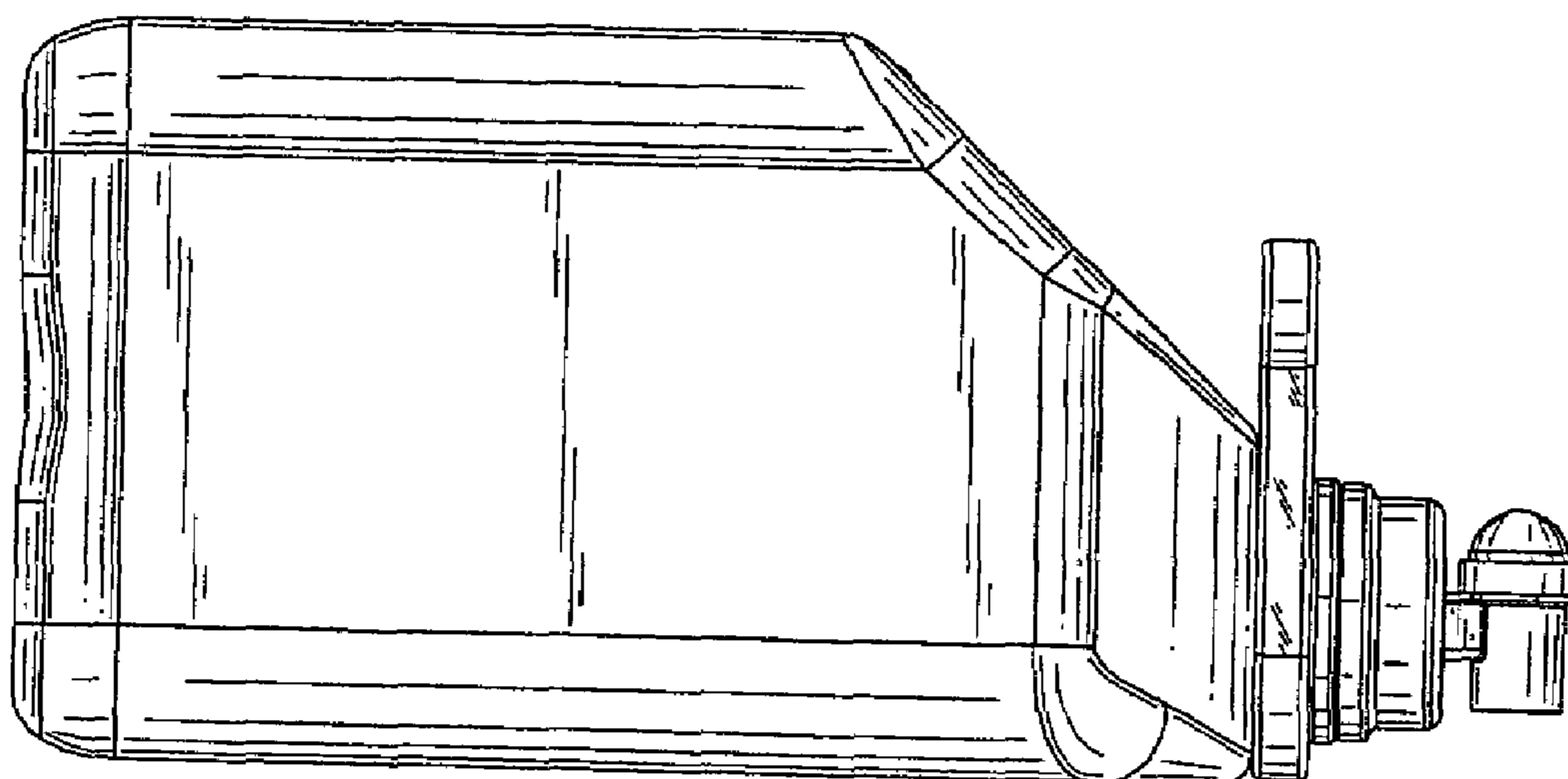


FIG. 4



*FIG. 6*



*FIG. 7*