



US00D556582S

(12) **United States Design Patent**  
**Heijdenrijk**

(10) **Patent No.: US D556,582 S**

(45) **Date of Patent: \*\* Dec. 4, 2007**

(54) **BOTTLE WITH LID**

(75) Inventor: **Jacobus Constantijn Heijdenrijk**,  
Rotterdam (NL)

(73) Assignee: **Sara Lee Household and Body Care**  
**Nederland B.V.**, Utrecht (NL)

(\*\*) Term: **14 Years**

(21) Appl. No.: **29/272,517**

(22) Filed: **Feb. 9, 2007**

**Related U.S. Application Data**

(62) Division of application No. 29/215,809, filed on Oct.  
25, 2004, now Pat. No. Des. 541,400.

(30) **Foreign Application Priority Data**

Apr. 27, 2004 (EM) ..... 169156

(51) **LOC (8) Cl.** ..... **09-01**

(52) **U.S. Cl.** ..... **D9/522; D9/564; D9/571;**  
**D9/574; D9/454**

(58) **Field of Classification Search** ..... **D9/516,**  
**D9/522-523, 544-546, 549, 551, 553, 564,**  
**D9/566, 571-575, 452, 454; D23/366; 215/382-384,**  
**215/396, 398, 400; 220/660, 669, 675; 222/210,**  
**222/212-213**

See application file for complete search history.

(56) **References Cited**

**U.S. PATENT DOCUMENTS**

- D54,463 S 2/1920 Scott
- D117,138 S \* 10/1939 Buckingham ..... D9/556
- D118,381 S 1/1940 McIntosh
- D222,960 S \* 2/1972 Avedon ..... D9/544 X
- D280,548 S 9/1985 Cramer
- D338,159 S \* 8/1993 Densky et al. .... D9/571 X
- D355,605 S 2/1995 Kudo et al.
- D372,966 S \* 8/1996 Chen ..... D23/366
- D439,319 S 3/2001 Wolpert
- D453,110 S 1/2002 Bulsink
- D454,628 S 3/2002 Basaganas

- D461,885 S 8/2002 Jordi
- D466,403 S \* 12/2002 Haas et al. .... D9/687
- D476,895 S \* 7/2003 Fellows et al. .... D9/516
- D478,512 S 8/2003 Duston et al.
- D479,804 S 9/2003 Wolpert et al.
- D480,316 S 10/2003 Wolpert et al.
- 6,659,301 B2 \* 12/2003 Fellows et al. .... 215/382 X
- D488,213 S \* 4/2004 Millan ..... D23/366
- D492,021 S 6/2004 Basaganas Millan
- 6,766,773 B2 \* 7/2004 Wolpert et al. .... 122/366
- D498,146 S 11/2004 Densky et al.
- D503,621 S \* 4/2005 Heater ..... D9/522
- D505,080 S \* 5/2005 Cagle ..... D9/571
- D505,330 S 5/2005 Wolpert
- D515,192 S 2/2006 Smith et al.
- D518,730 S 4/2006 Caserta et al.
- D531,514 S \* 11/2006 Harris ..... D9/575 X

(Continued)

*Primary Examiner*—Carol Rademaker  
(74) *Attorney, Agent, or Firm*—Kilpatrick Stockton LLP

(57) **CLAIM**

I claim the ornamental design for a bottle with lid, as shown  
and described.

**DESCRIPTION**

FIG. 1 is a top, front, right side perspective view of a bottle  
with lid comprising the present invention;

FIG. 2 is a top, rear, left side perspective view thereof;

FIG. 3 is a front elevational view thereof, shown at a reduced  
scale;

FIG. 4 is a rear elevational view thereof;

FIG. 5 is a right side elevational view thereof;

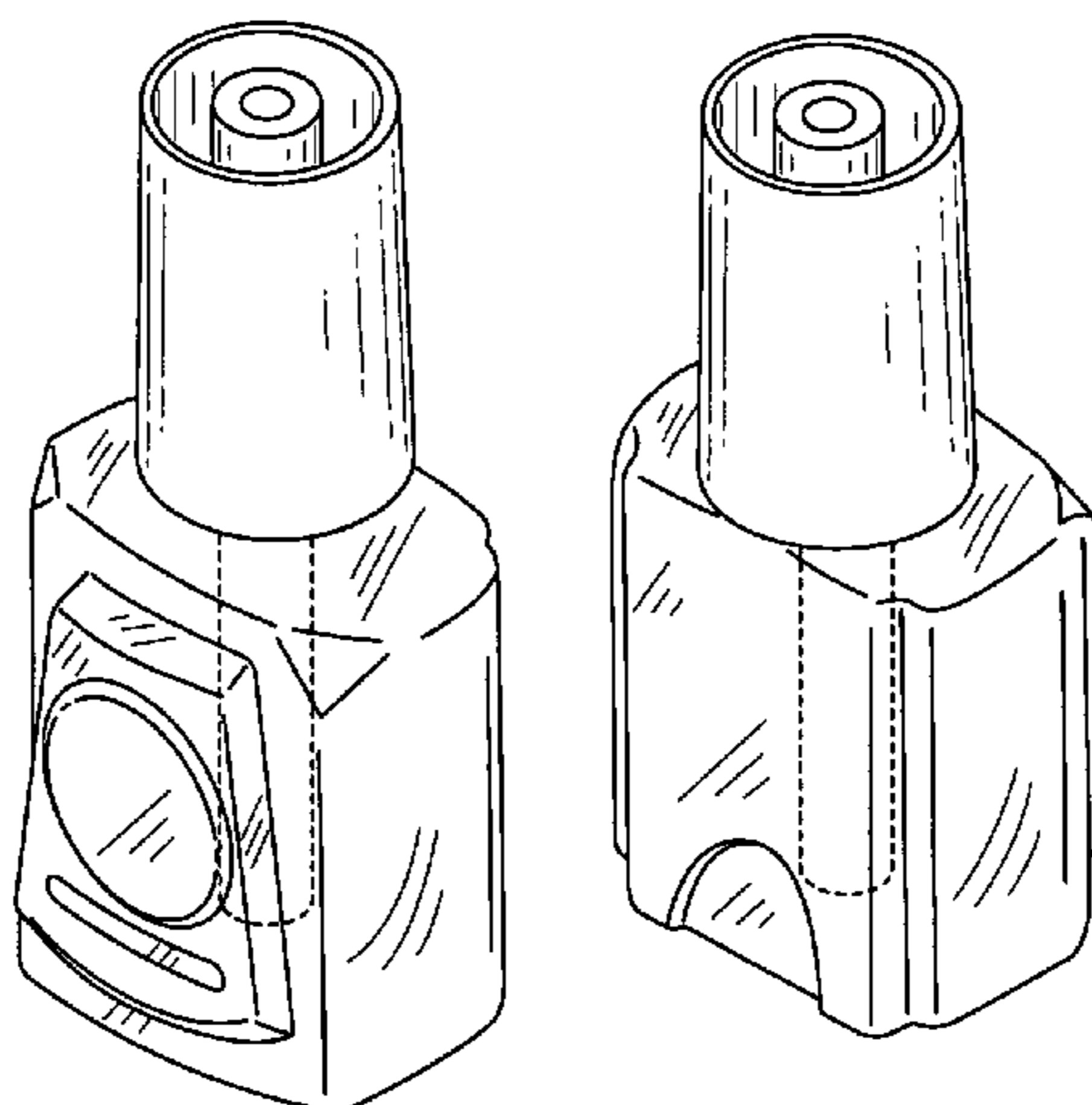
FIG. 6 is a left side elevational view thereof;

FIG. 7 is a top plan view thereof; and,

FIG. 8 is a bottom plan view thereof.

The broken lines shown in the drawings are for illustrative  
purposes only and form no part of the claimed design.

**1 Claim, 3 Drawing Sheets**



# US D556,582 S

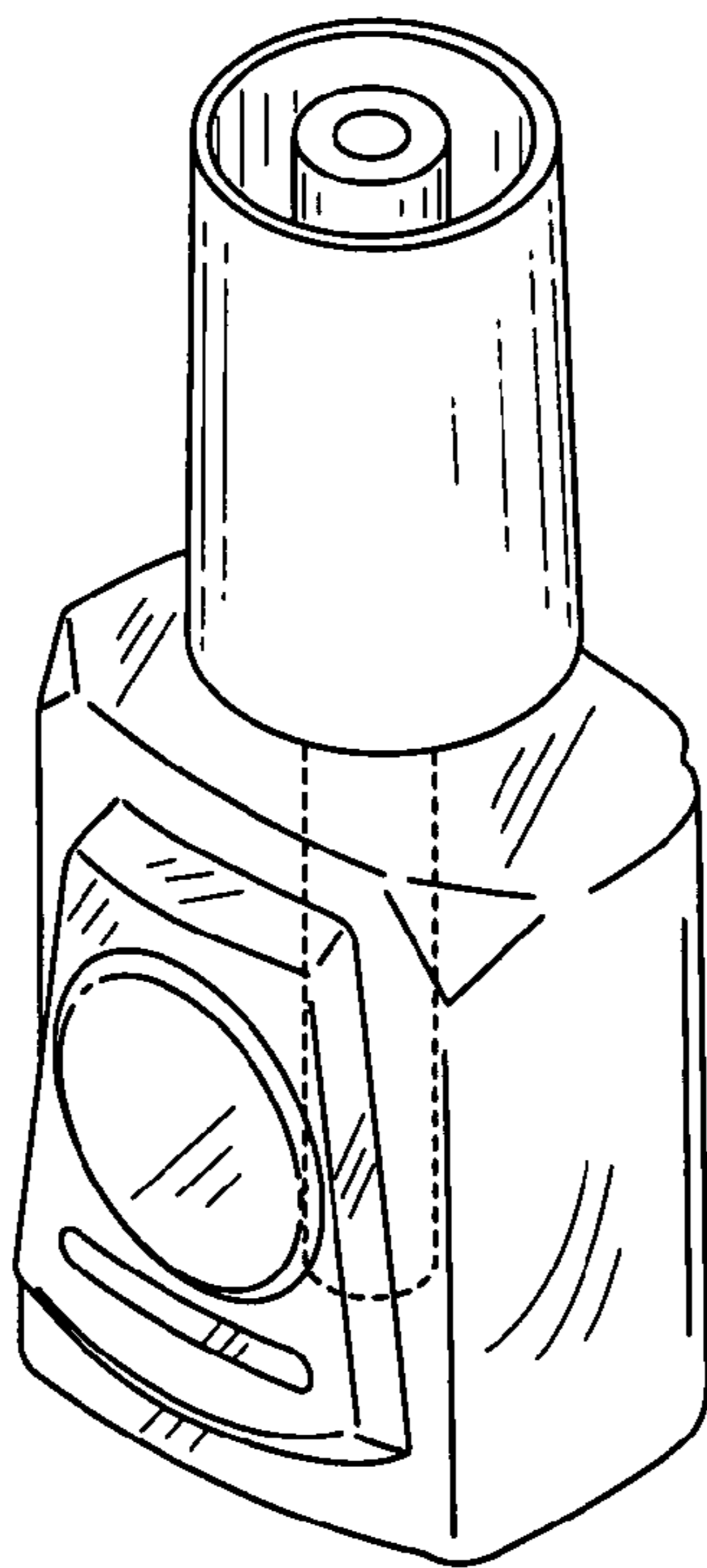
Page 2

---

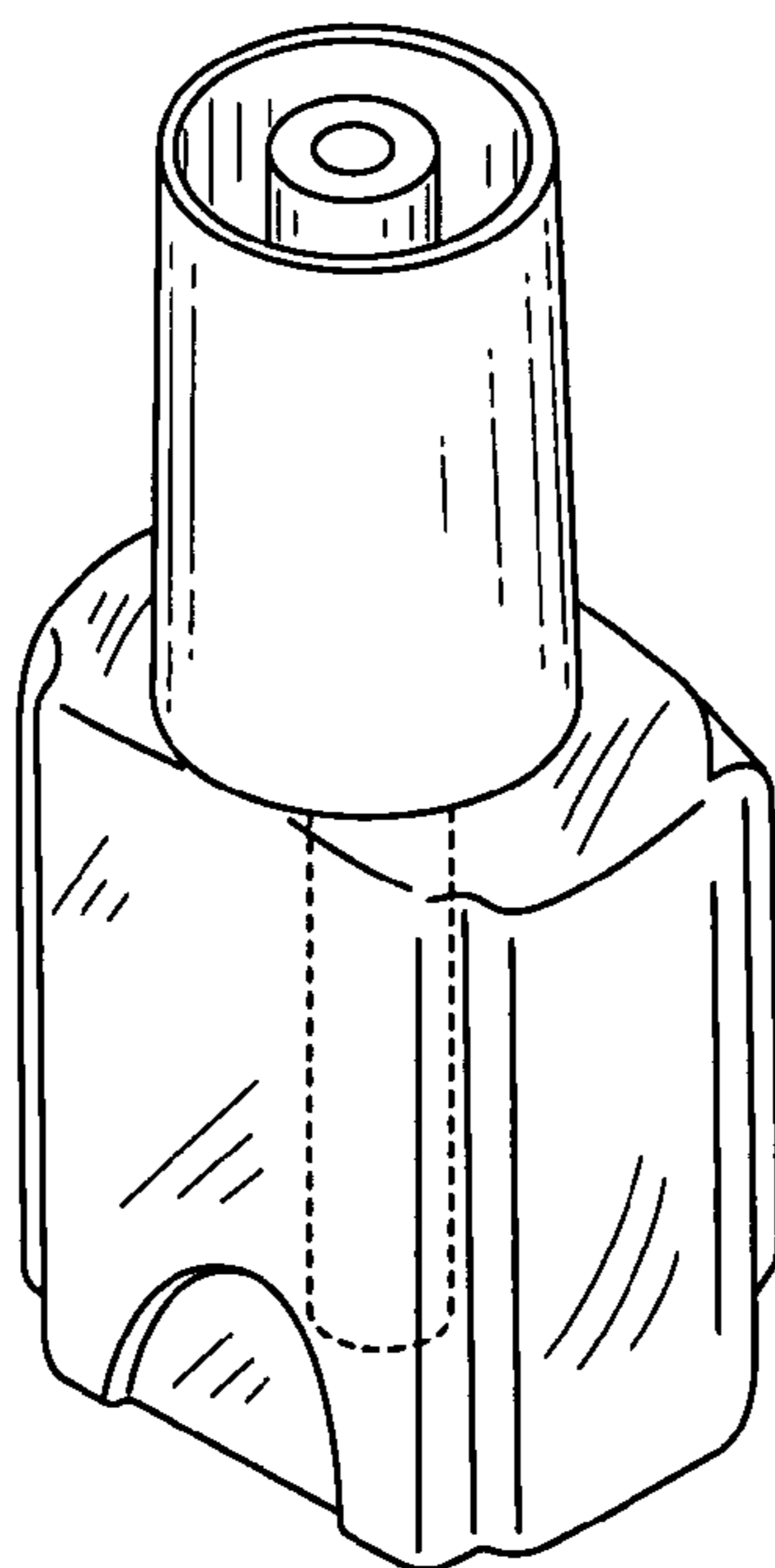
## U.S. PATENT DOCUMENTS

D536,979 S *	2/2007	Caserta et al. ....	D9/522	D537,354 S *	2/2007	Caserta et al. ....	D9/566 X
D536,980 S *	2/2007	Smith et al. ....	D9/522	2002/0172512 A1 *	11/2002	Stathakis et al. ....	392/395
D537,351 S *	2/2007	Caserta et al. ....	D9/522	2003/0194355 A1	10/2003	Pedrotti et al.	

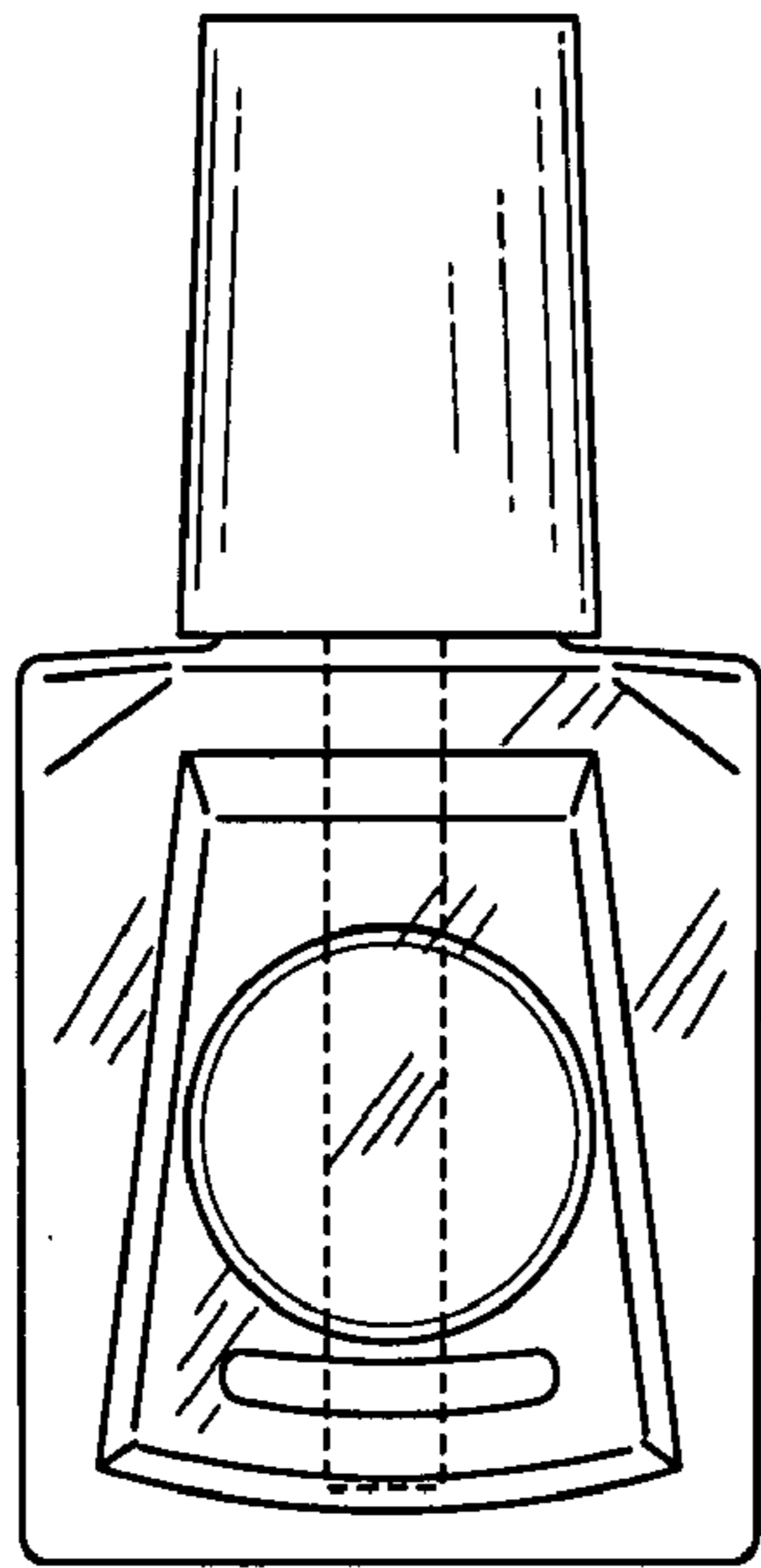
\* cited by examiner



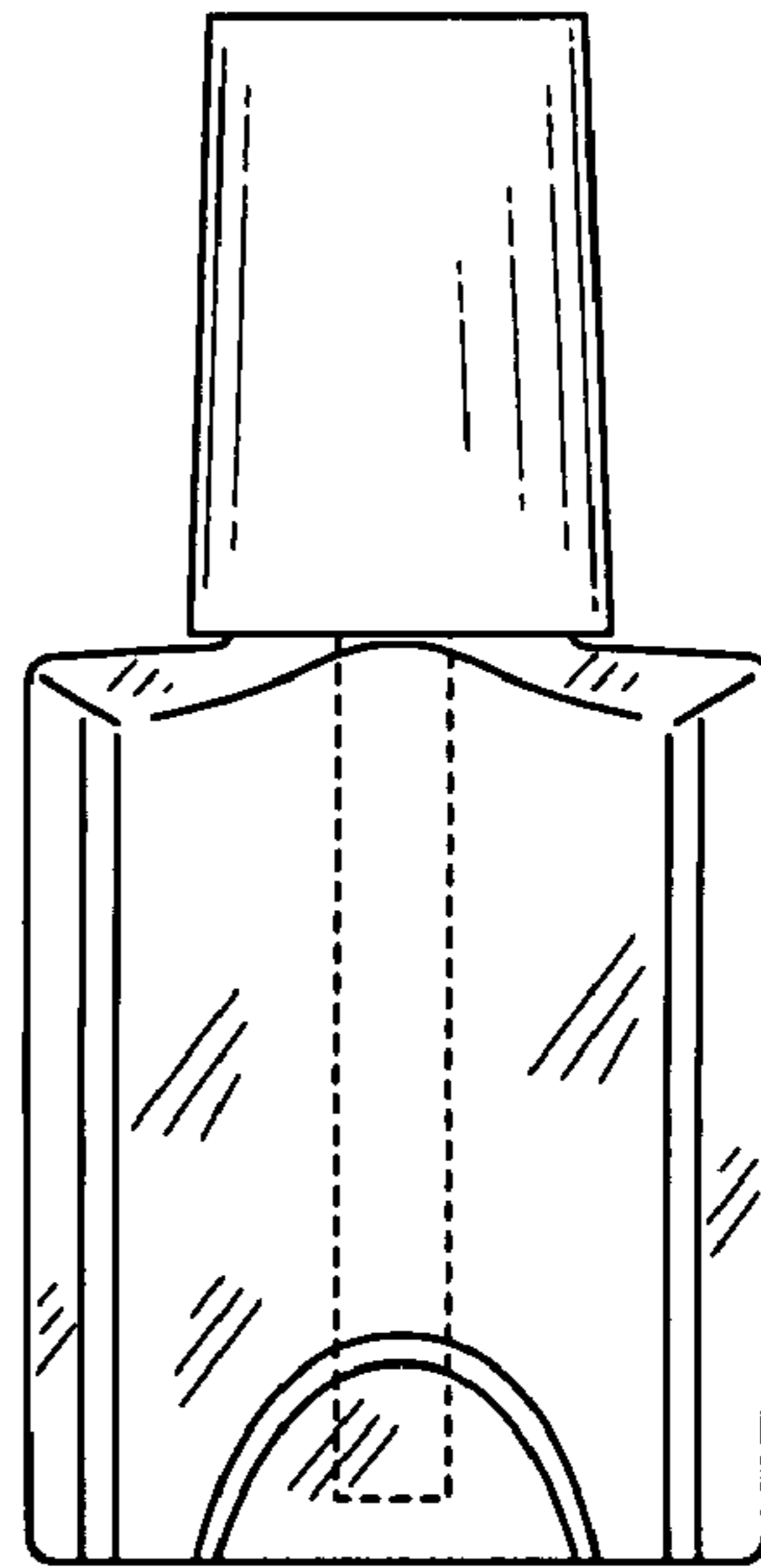
**FIG. 1**



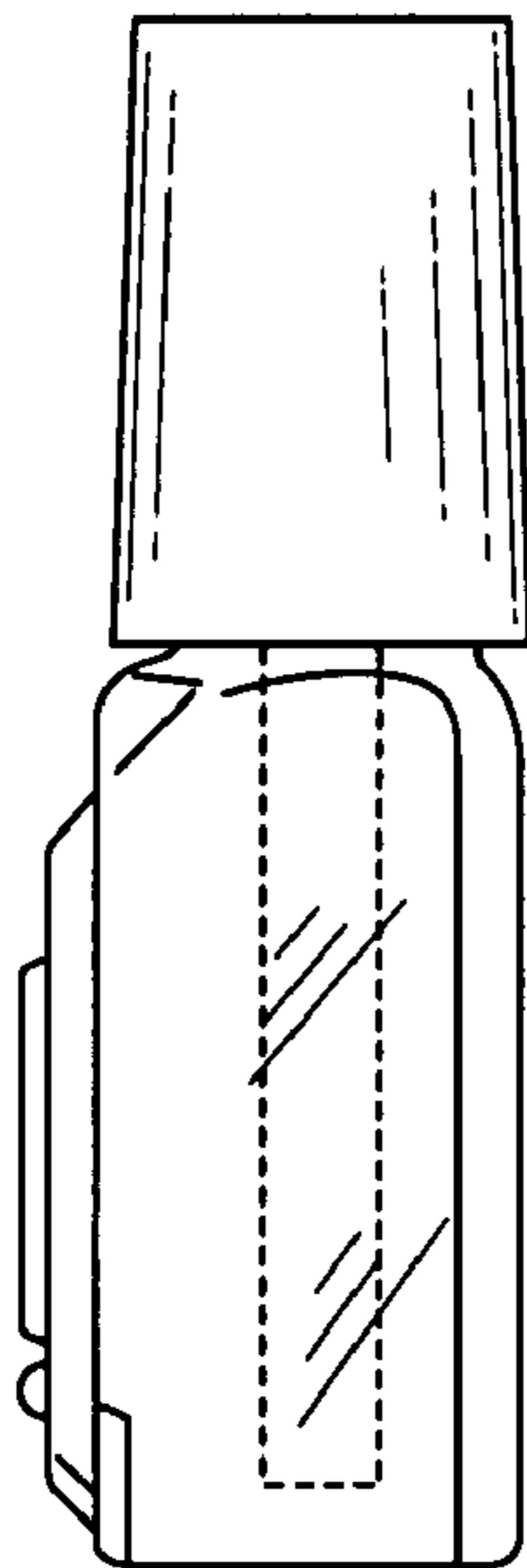
**FIG. 2**



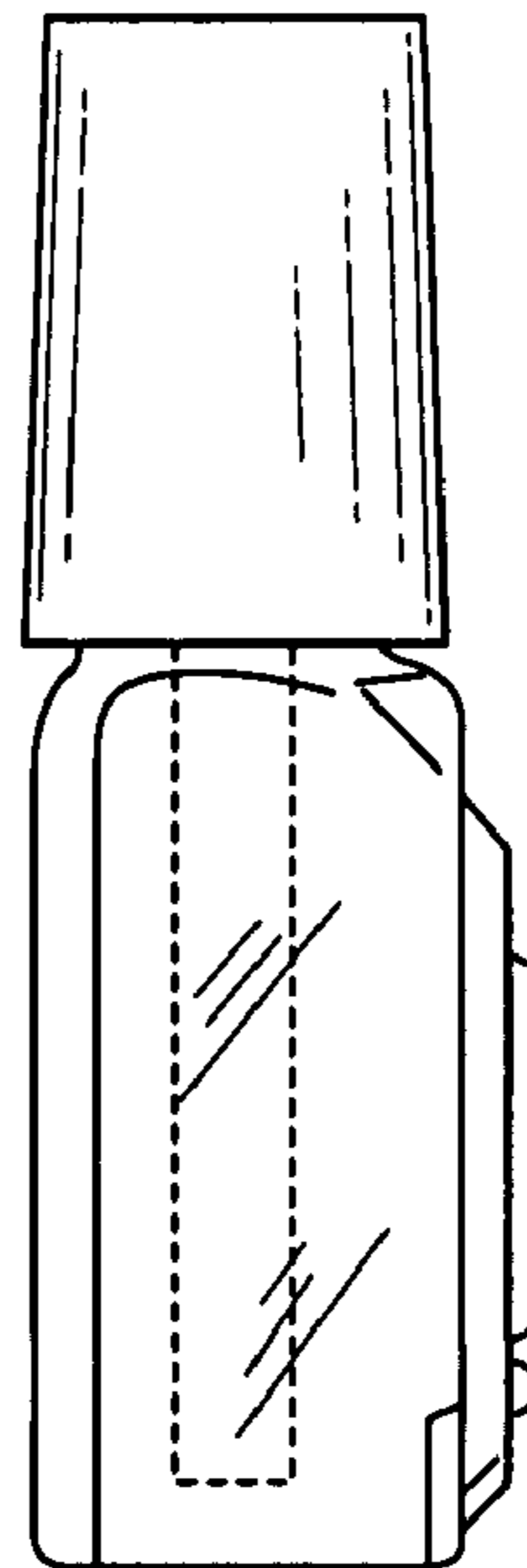
**FIG. 3**



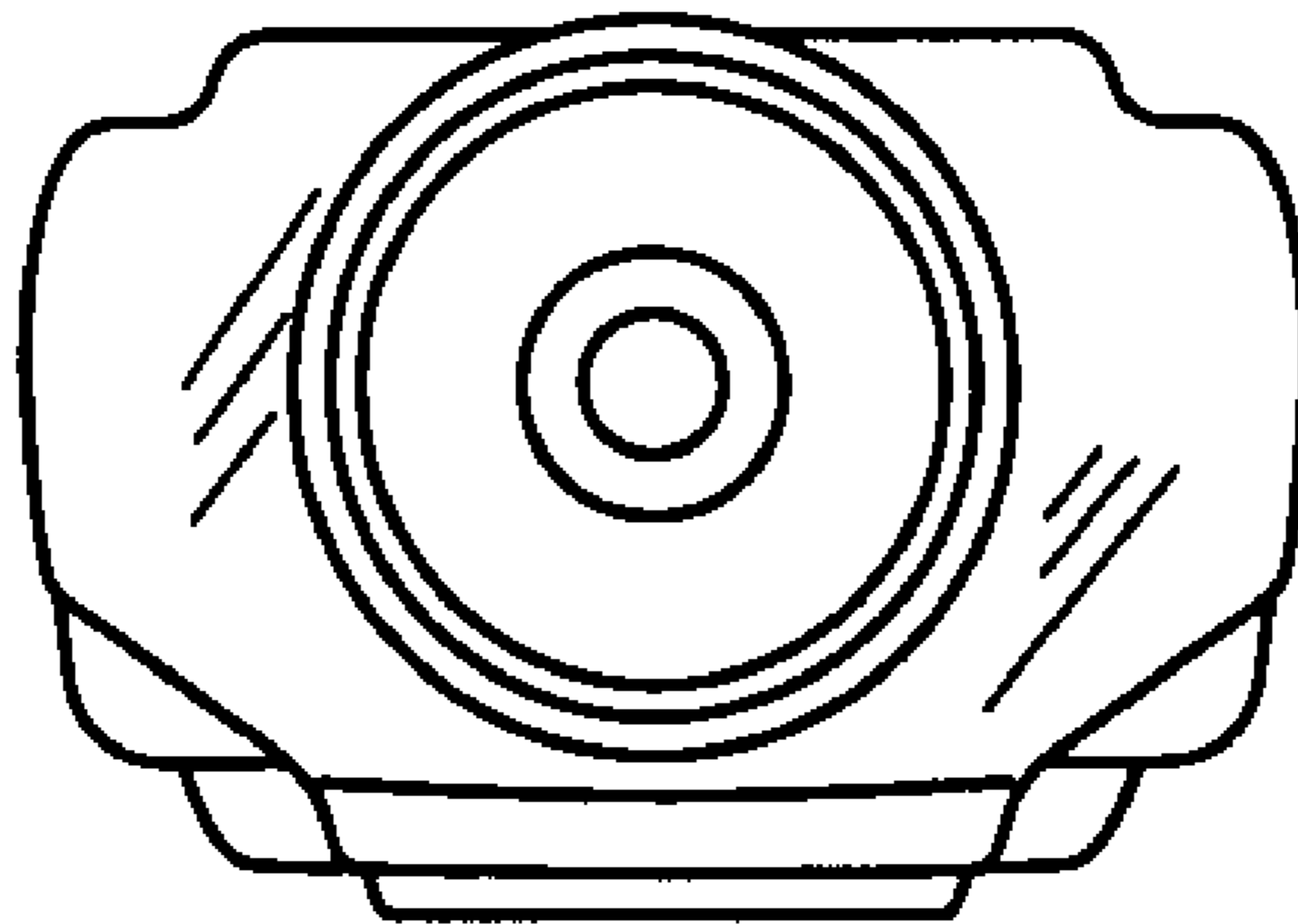
**FIG. 4**



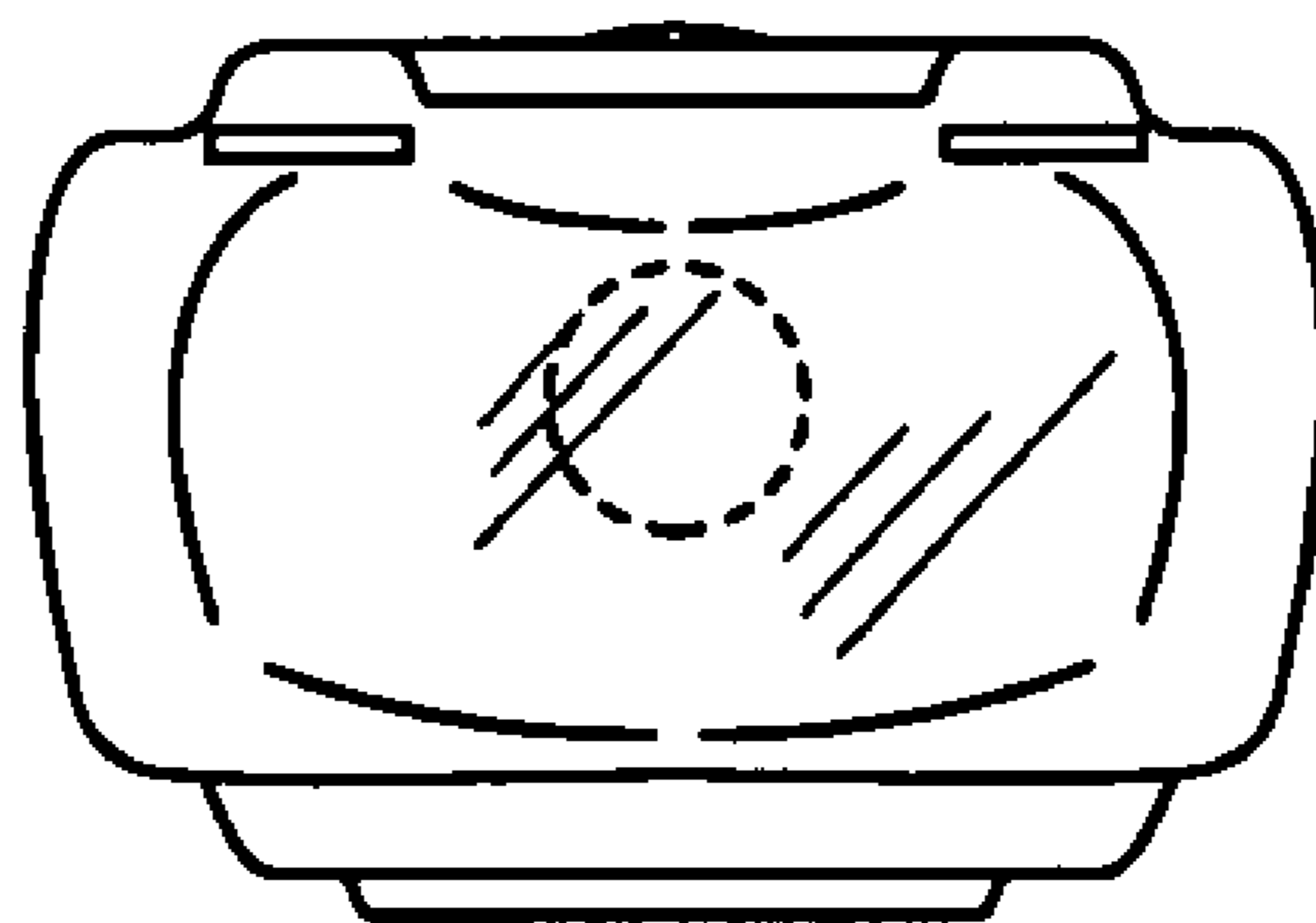
**FIG. 5**



**FIG. 6**



**FIG. 7**



**FIG. 8**