



US00D556578S

(12) **United States Design Patent** (10) **Patent No.:** **US D556,578 S**
Costello et al. (45) **Date of Patent:** **** Dec. 4, 2007**

(54) **BOTTLE**

(75) Inventors: **John C. Costello**, Wellesley, MA (US);
Alexandre Hennen, Cambridge, MA
(US)

(73) Assignee: **McNeil-PPC, Inc.**, Skillman, NJ (US)

(**) Term: **14 Years**

(21) Appl. No.: **29/240,698**

(22) Filed: **Oct. 17, 2005**

Related U.S. Application Data

(63) Continuation of application No. 29/211,222, filed on
Aug. 12, 2004, now Pat. No. Des. 545,196.

(51) **LOC (8) Cl.** **09-01**

(52) **U.S. Cl.** **D9/516; D9/537**

(58) **Field of Classification Search** D9/682-694,
D9/715, 718-719, 723-729, 434, 516, 541-544,
D9/549, 551-552, 558, 567-568, 570, 572-575,
D9/905; 215/12.1-12.2, 13.1, 382-384,
215/396, 398

See application file for complete search history.

(56) **References Cited**

U.S. PATENT DOCUMENTS

D38,385 S * 12/1906 Kohn D9/542
D46,285 S * 8/1914 Mackenzie D9/520
D48,140 S * 11/1915 Wolfson D9/542
D91,080 S * 11/1933 Nitardy D9/542
D95,965 S * 6/1935 Kihn D9/541
D108,727 S * 3/1938 Dunnock D9/542
D127,711 S * 6/1941 Foley D9/505

D414,117 S * 9/1999 Mikla D9/542
D416,199 S * 11/1999 Alguire et al. D9/542
D428,342 S * 7/2000 Stoller D9/542
D441,296 S * 5/2001 Majerowski D9/542
D486,742 S * 2/2004 Houghton D9/542
D505,079 S * 5/2005 Mulder et al. D9/542
D506,140 S * 6/2005 Maus D9/542
D511,970 S * 11/2005 Cleary D9/542
D522,876 S * 6/2006 Braaten et al. D9/691
D525,872 S * 8/2006 Haubert et al. D9/529

* cited by examiner

Primary Examiner—Carol Rademaker

(74) *Attorney, Agent, or Firm*—Karen Horowitz; Evan
Federman

(57) **CLAIM**

The ornamental design for a bottle, as shown and described.

DESCRIPTION

FIG. 1 is a top, front, and right side perspective view of the
bottle;

FIG. 2 is a top plan view thereof;

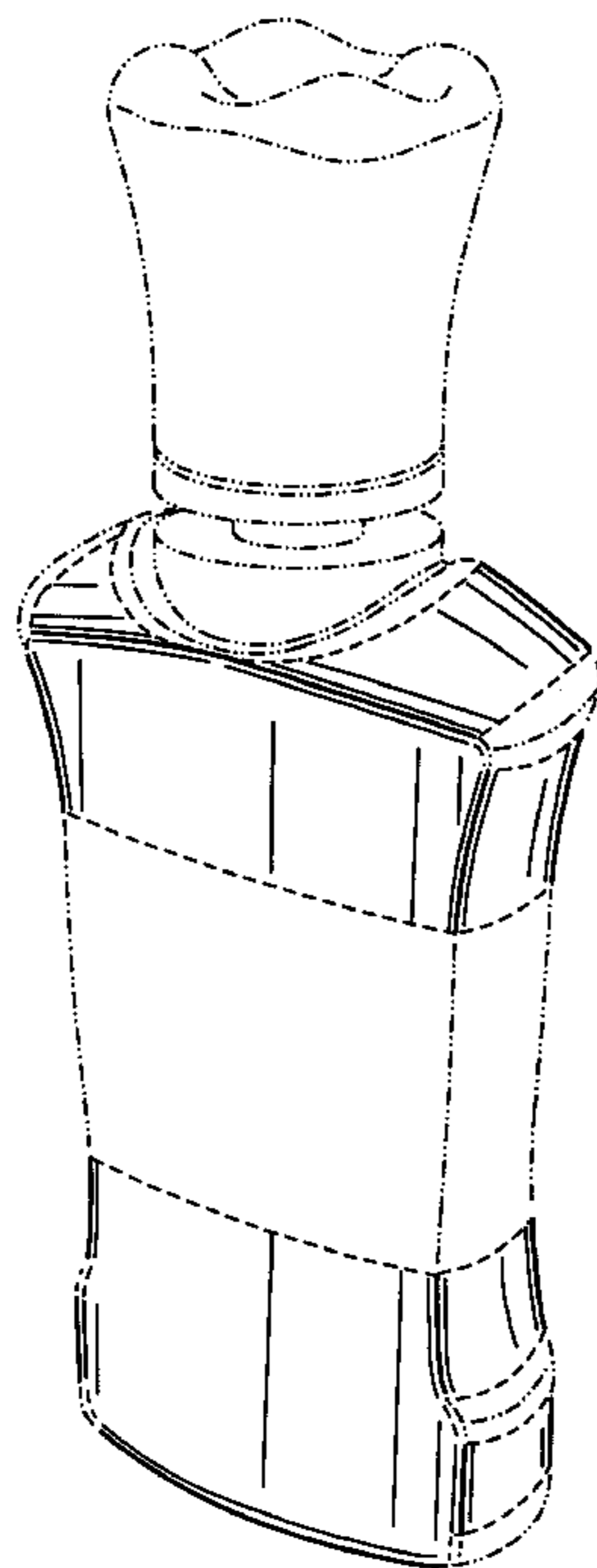
FIG. 3 is a front elevational view thereof, the rear elevational
view being a mirror image;

FIG. 4 is a right side elevational view thereof, the left side
elevational view being a mirror image; and,

FIG. 5 is a bottom plan view thereof.

The ornamental design which is claimed is shown in solid
lines in the drawings. The broken lines in the drawings are
for illustrative purposes only and form no part of the claimed
design.

1 Claim, 5 Drawing Sheets



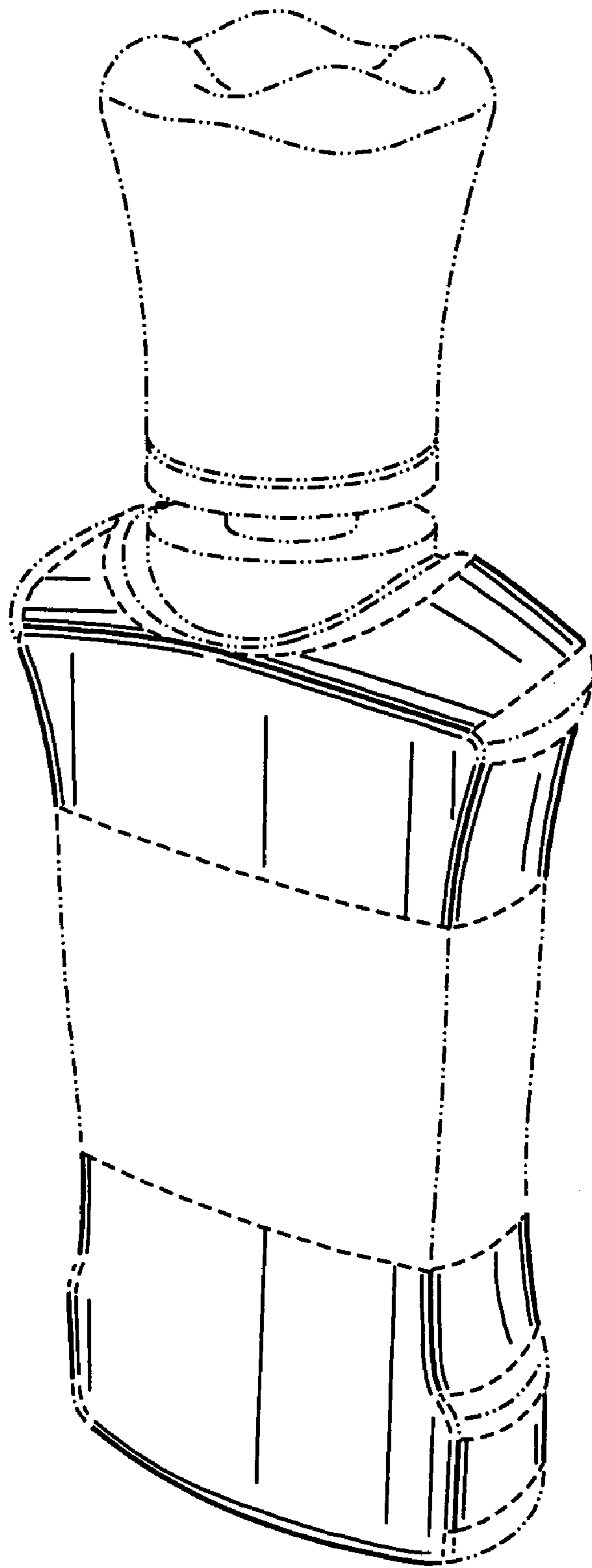


FIG. 1

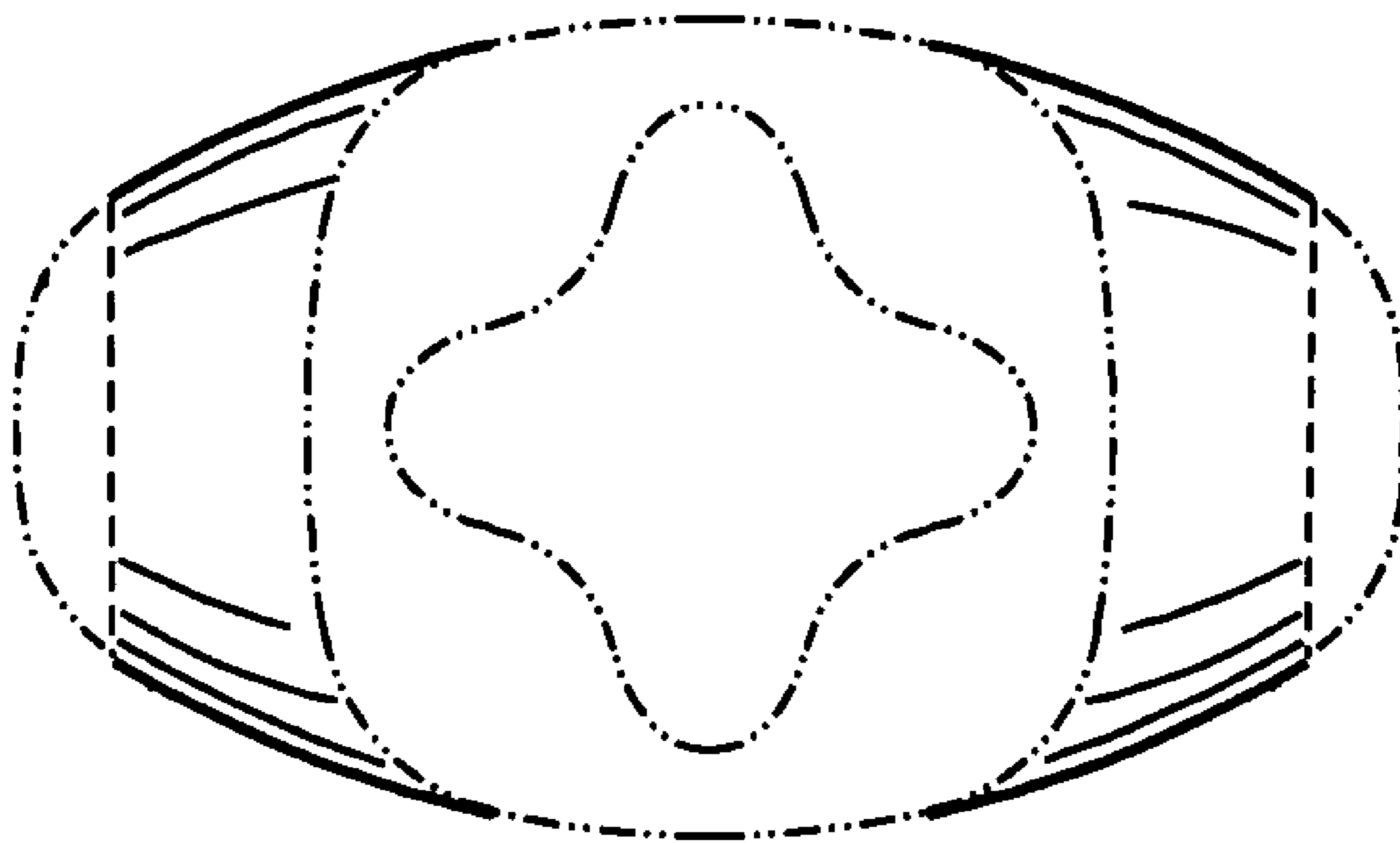


FIG. 2

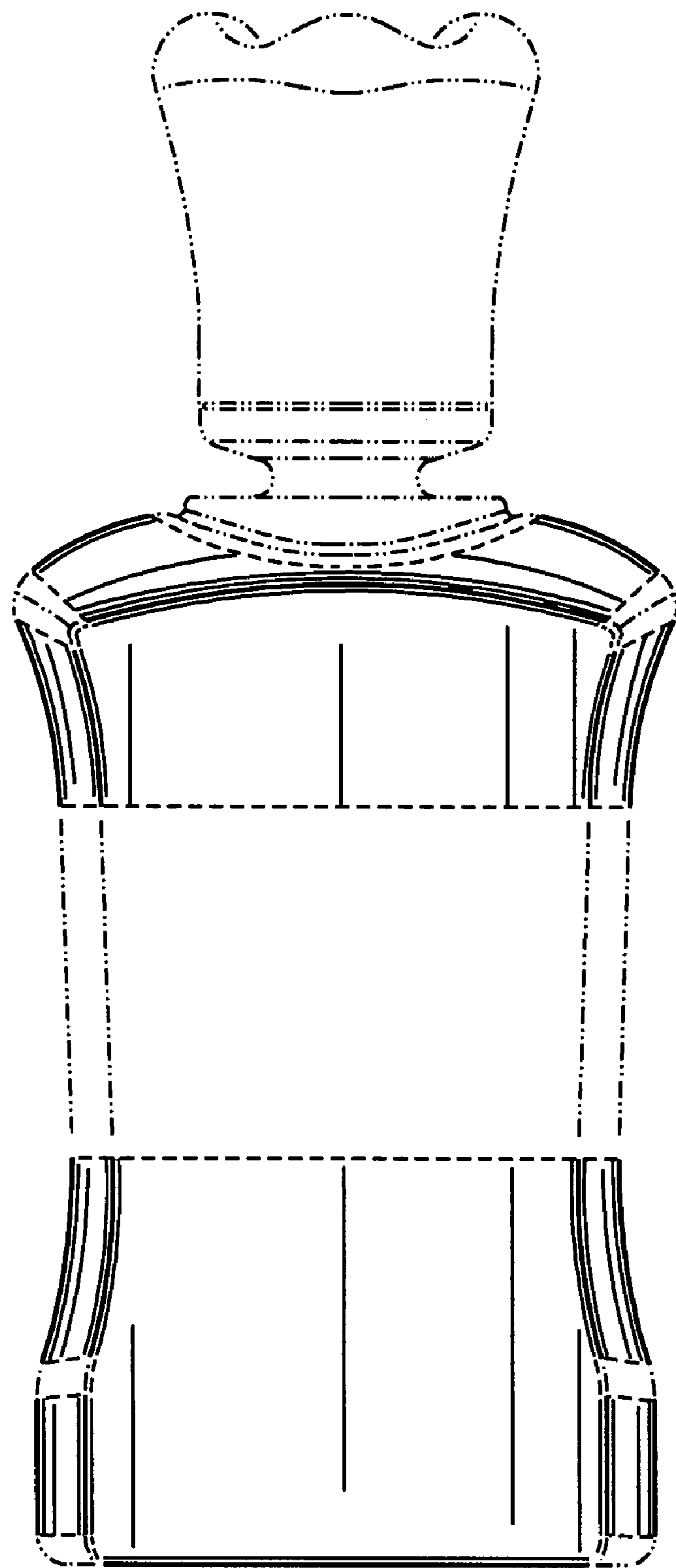


FIG. 3

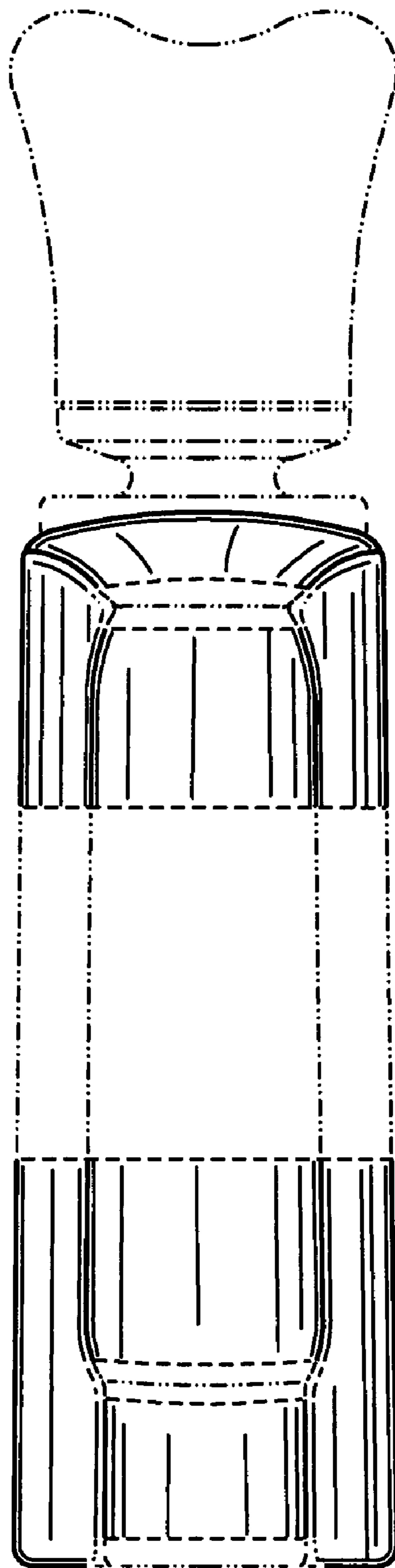


FIG. 4

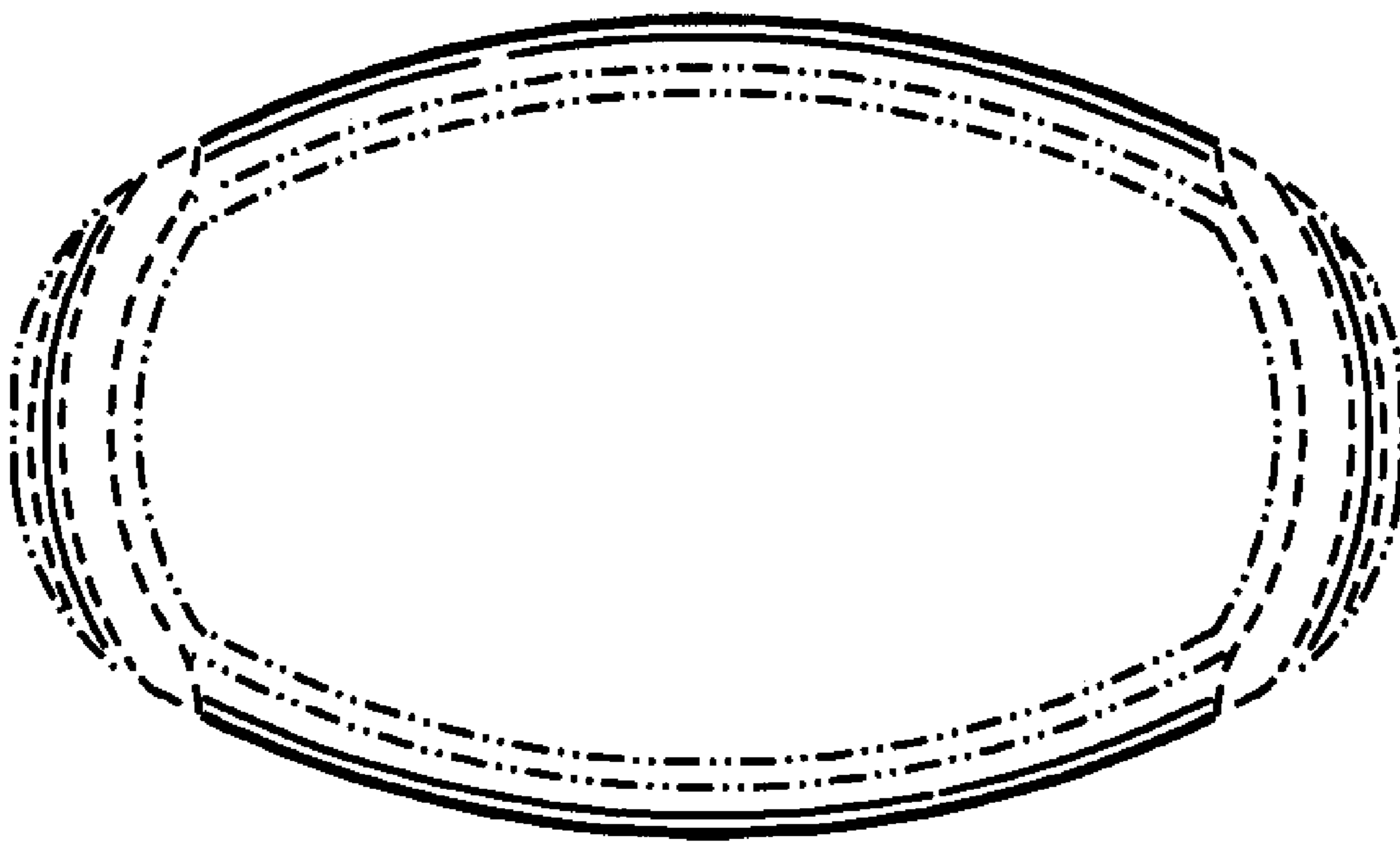


FIG. 5