



US00D556575S

(12) **United States Design Patent** (10) **Patent No.:** **US D556,575 S**  
**Nusbaum et al.** (45) **Date of Patent:** **\*\* Dec. 4, 2007**

(54) **BOTTLE CAP**

(75) Inventors: **Philippe Nusbaum**, Daix (FR);  
**Yannick Celerier**, Aluze (FR); **Jeremy Le Cam**, Dijon (FR)

(73) Assignee: **Bericap**, Longvic (FR)

(\*\*) Term: **14 Years**

(21) Appl. No.: **29/232,315**

(22) Filed: **Jun. 16, 2005**

**Related U.S. Application Data**

(63) Continuation-in-part of application No. 11/032,292, filed on Jan. 10, 2005, which is a continuation of application No. PCT/FR03/02061, filed on Jul. 2, 2003.

**Foreign Application Priority Data**

(30) Jul. 12, 2002 (FR) ..... 02 08849  
Jul. 12, 2002 (FR) ..... 02 08850  
Dec. 17, 2004 (EM) ..... 000274170-0004

(51) **LOC (8) Cl.** ..... **09-01**

(52) **U.S. Cl.** ..... **D9/449; D9/446; D9/453**

(58) **Field of Classification Search** ..... D9/499,  
D9/453, 452, 449, 447, 446, 443, 435, 450,  
D9/417; D7/900, 511, 510, 509, 397, 317,  
D7/392.1, 314, 396.2, 312; 222/570, 568,  
222/567; 221/63; 220/710, 709, 708, 707,  
220/706, 705; 215/235

See application file for complete search history.

(56) **References Cited**

**U.S. PATENT DOCUMENTS**

D226,555 S \* 3/1973 Weber ..... D9/446

D280,802 S \* 10/1985 Cho ..... D9/446  
D302,120 S \* 7/1989 Niwa et al. .... D9/417  
5,007,555 A \* 4/1991 Beck ..... 215/235  
D367,424 S \* 2/1996 Thanisch ..... D9/446  
D398,851 S \* 9/1998 Gaiser et al. .... D9/453  
D419,447 S \* 1/2000 Molloy ..... D9/449  
D480,305 S \* 10/2003 Nusbaum et al. .... D9/449  
D490,315 S \* 5/2004 Kiser ..... D9/449

\* cited by examiner

*Primary Examiner*—Gary D. Watson

*Assistant Examiner*—Susan Bennett Hattan

(74) *Attorney, Agent, or Firm*—Harness, Dickey & Pierce, P.L.C.

(57) **CLAIM**

The invention claimed is the ornamental design for a bottle cap, as shown and described.

**DESCRIPTION**

FIG. 1 is a front elevational view showing a bottle cap of the new design;

FIG. 2 is a side elevational view showing the bottle cap of the new design;

FIG. 3 is a back elevational view showing the bottle cap of the new design;

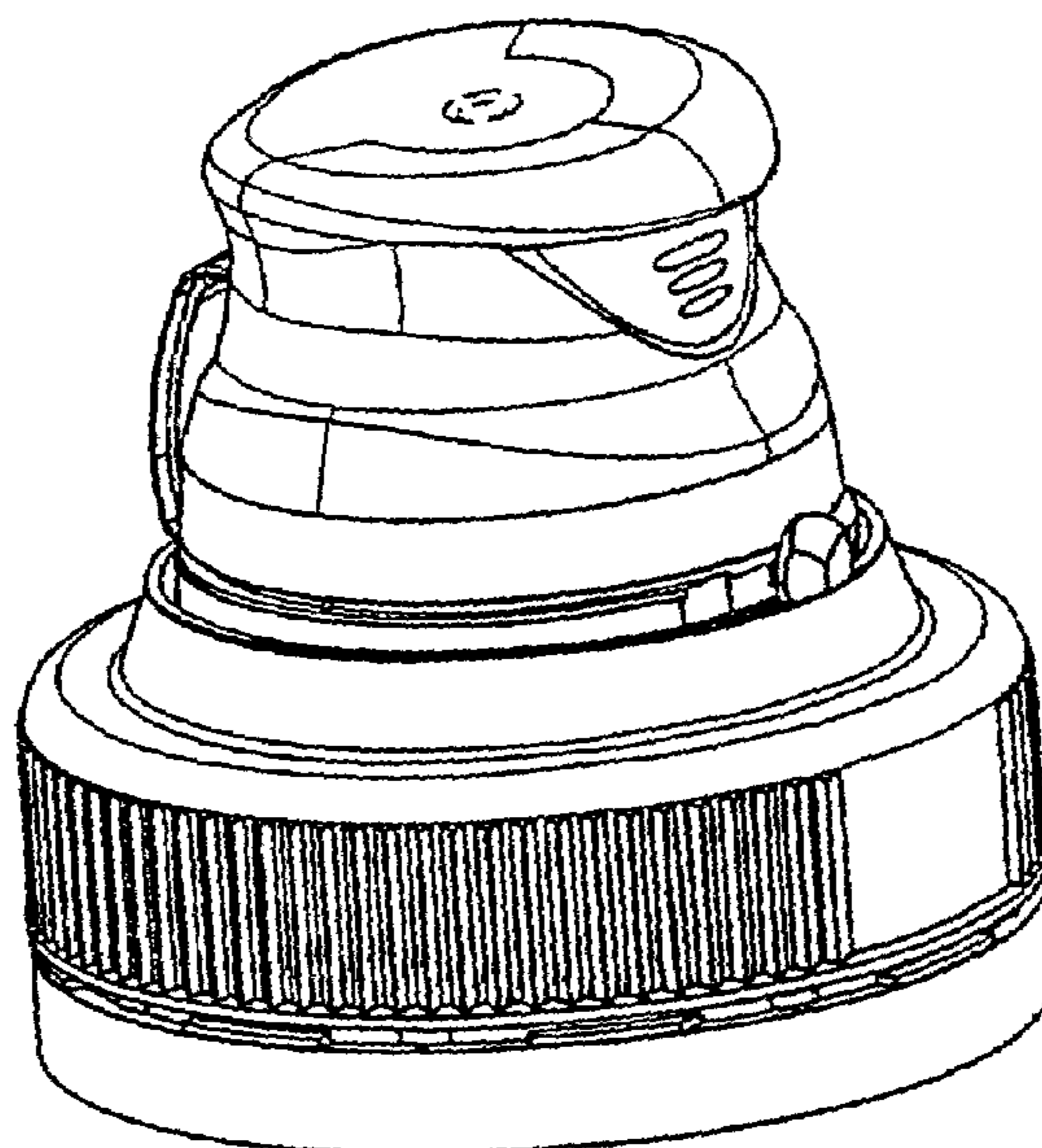
FIG. 4 is a top elevational view showing the bottle cap of the new design;

FIG. 5 is a front perspective view showing the bottle cap of the new design; and,

FIG. 6 is rear perspective view showing the bottle cap of the new design.

The broken lines within the drawings are for illustrative purposes only and form no part of the presently claimed invention.

**1 Claim, 2 Drawing Sheets**



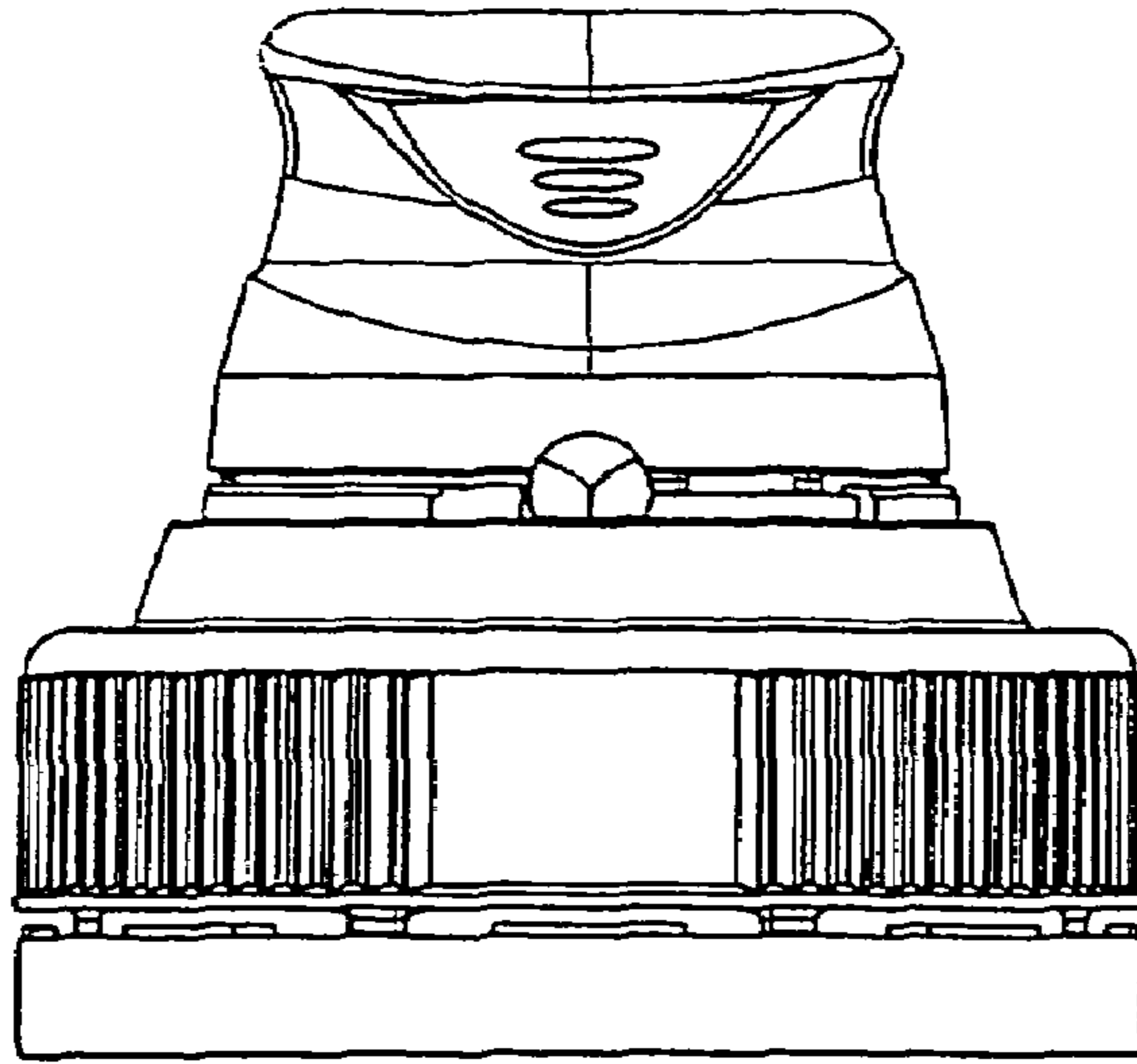


FIG. 1

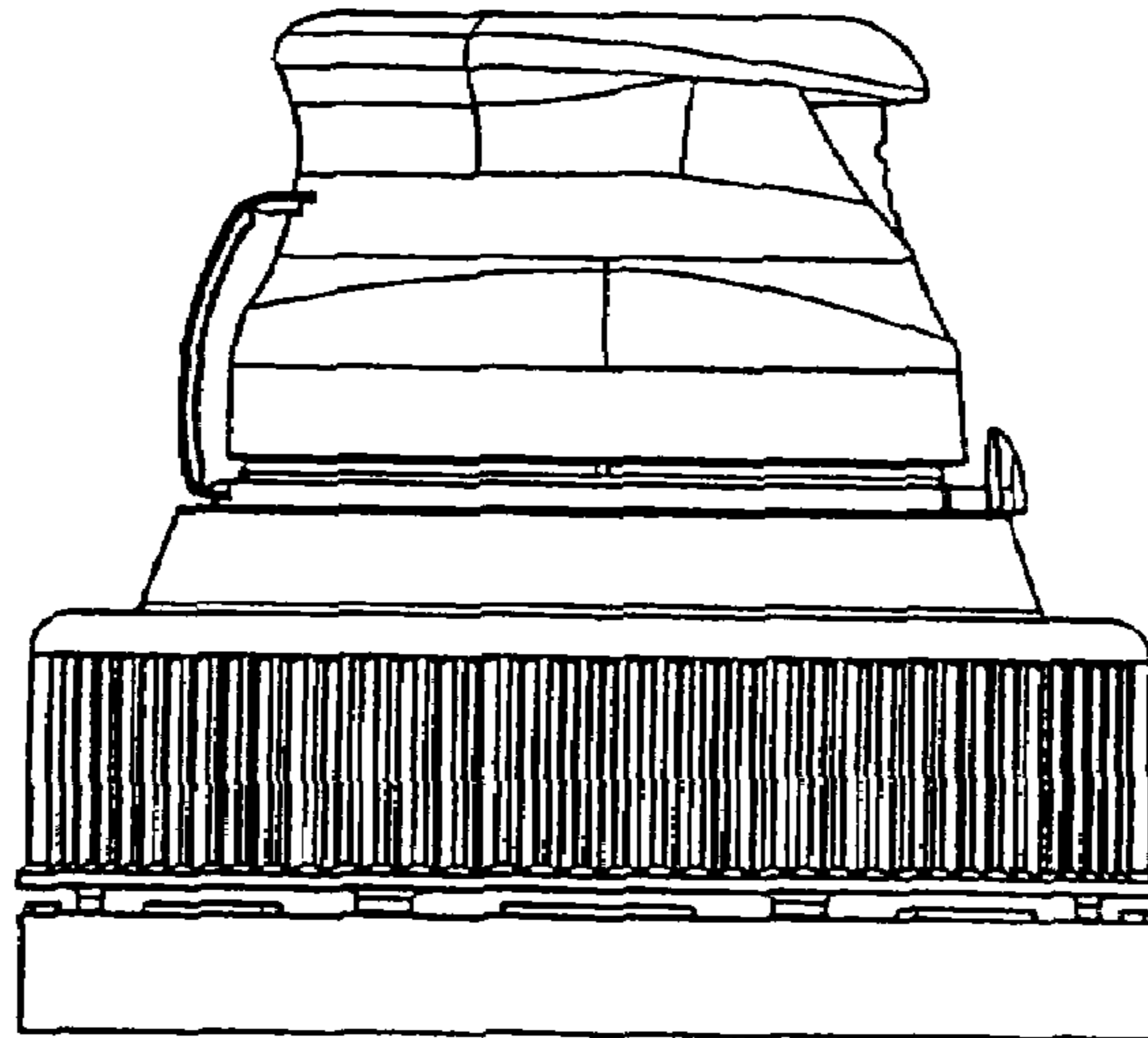


FIG. 2

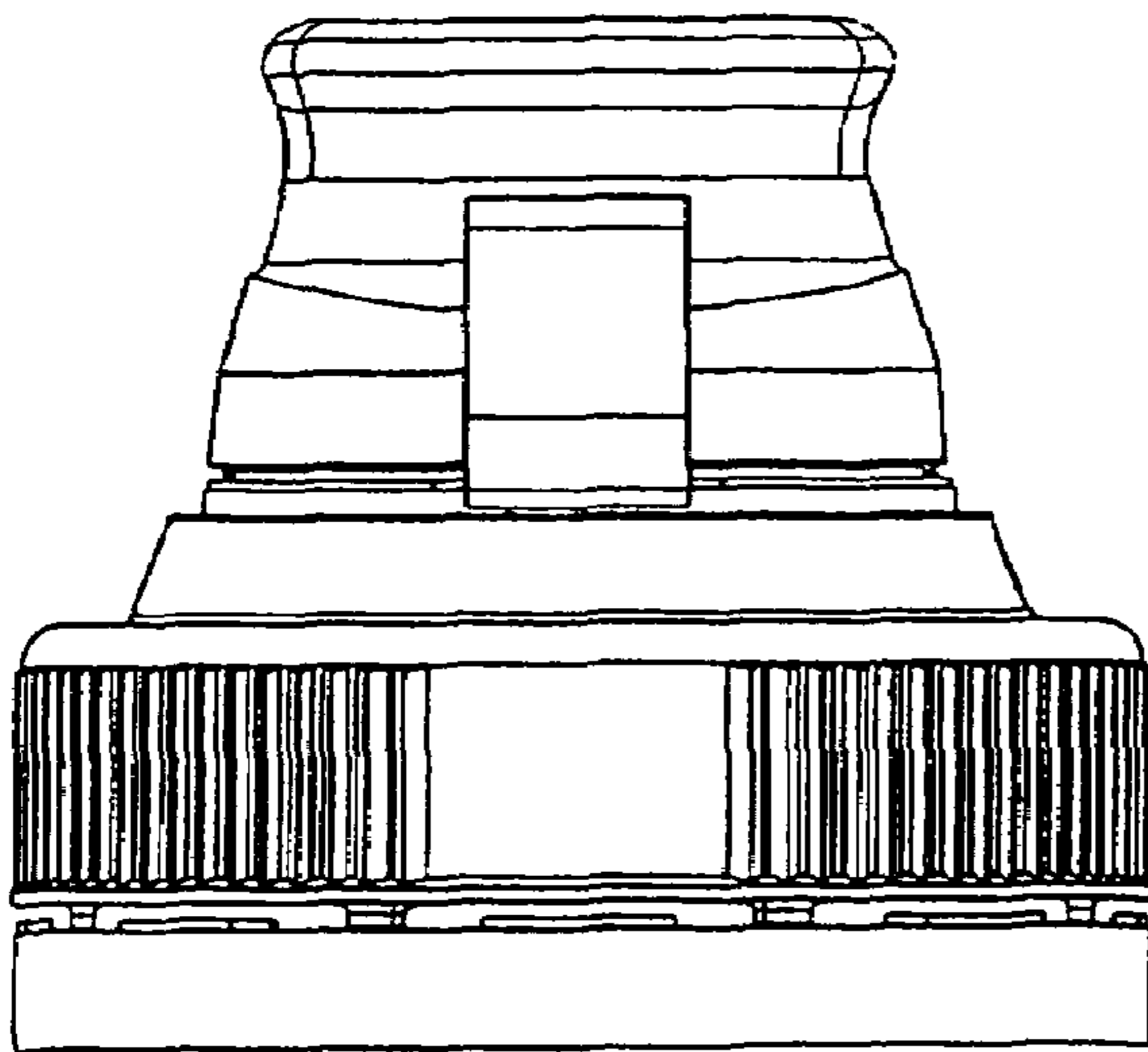


FIG. 3

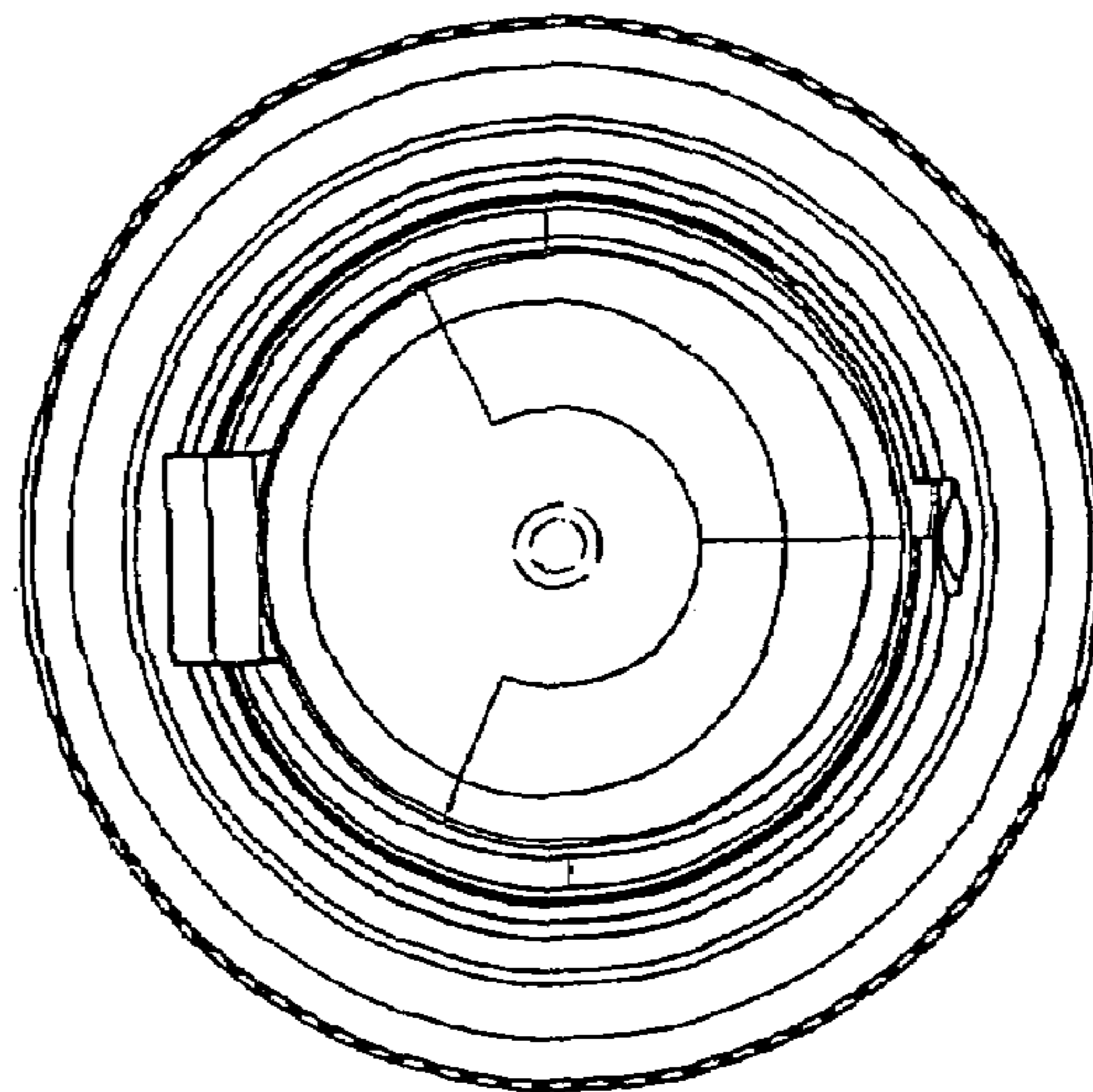


FIG. 4

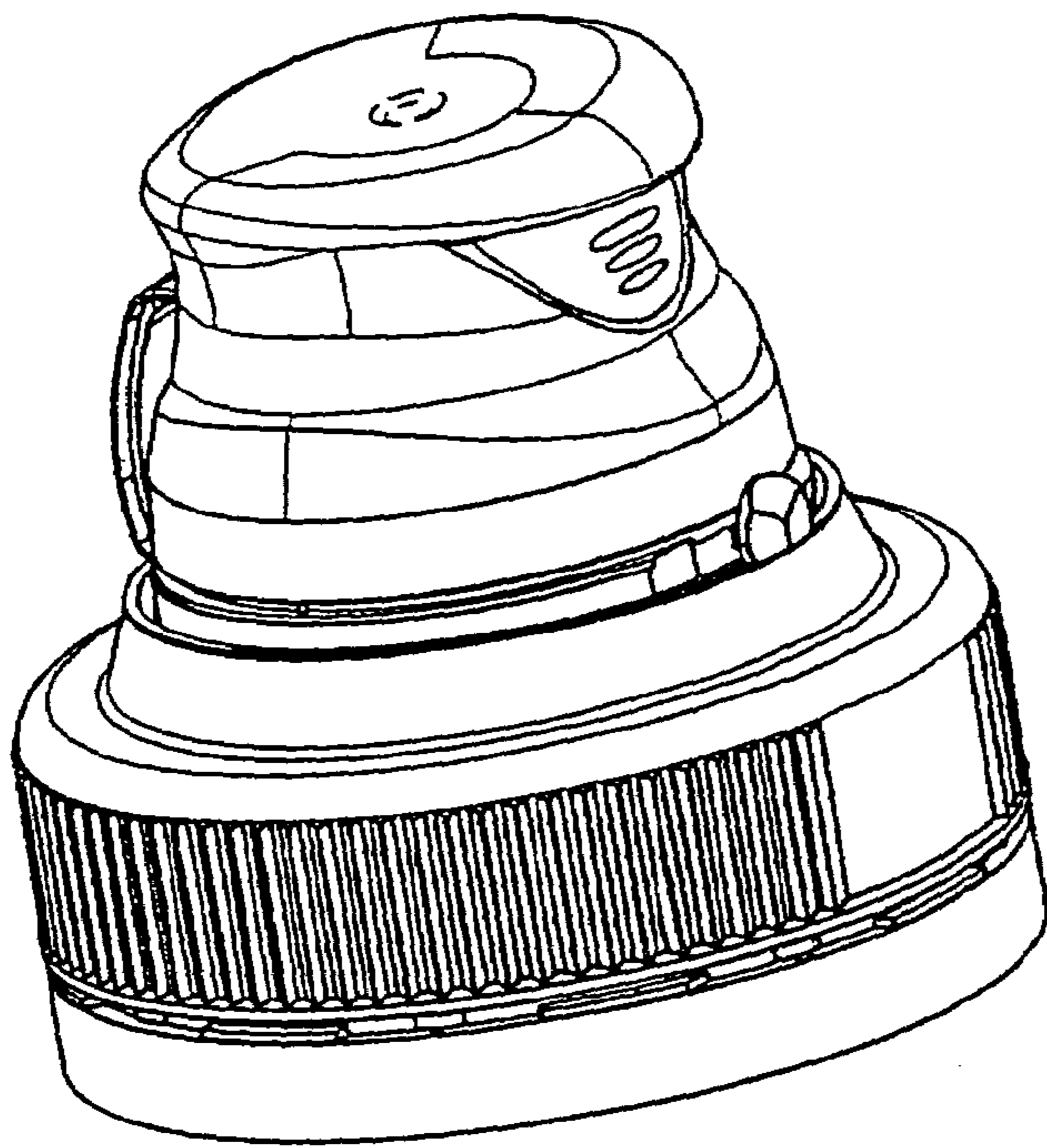


FIG. 5

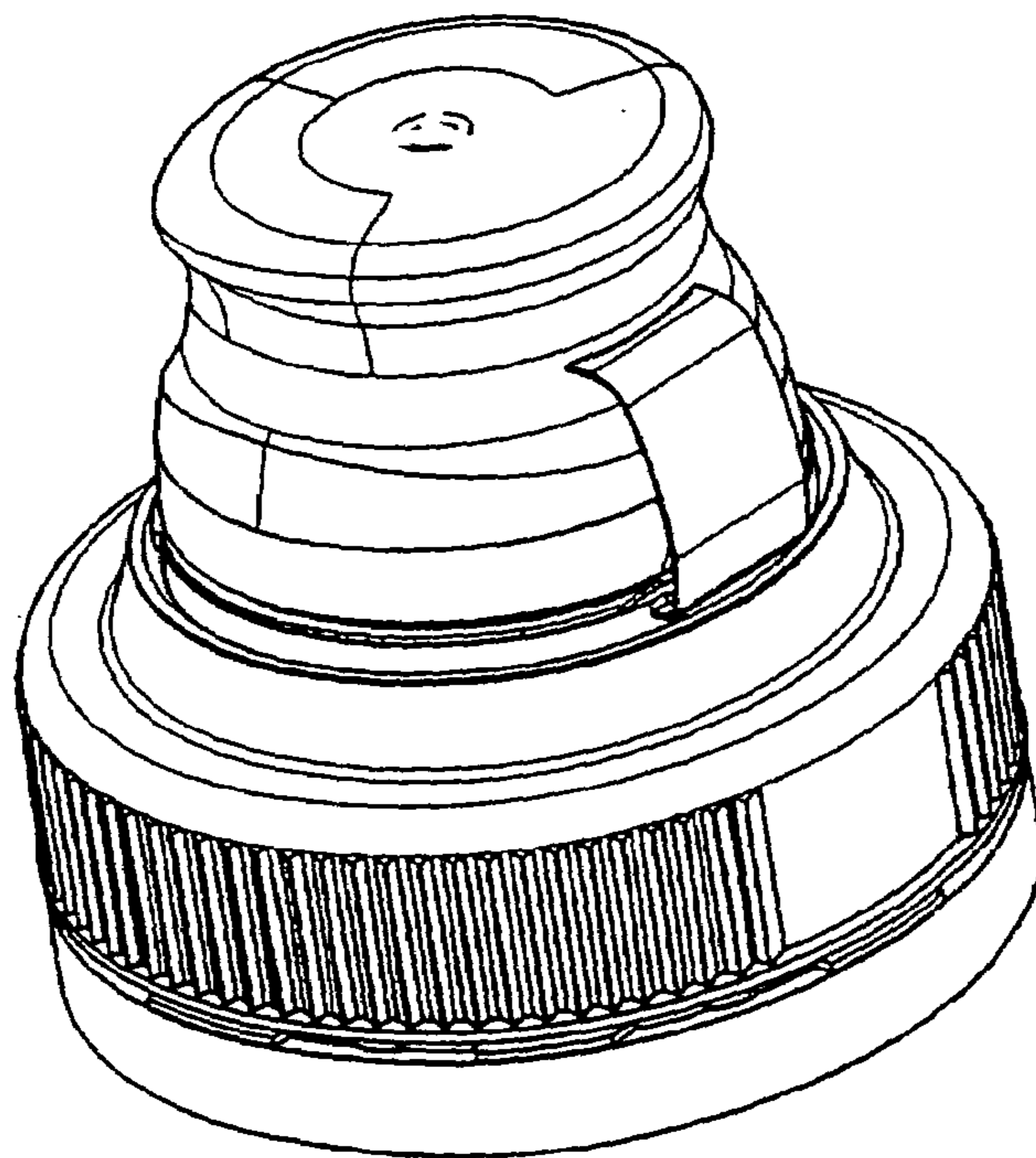


FIG. 6