



US00D556573S

(12) **United States Design Patent** (10) **Patent No.:** **US D556,573 S**
Hollis et al. (45) **Date of Patent:** **** Dec. 4, 2007**

(54) **DISPOSABLE CUP LID**

(75) Inventors: **Robert W. Hollis**, Homer Glen, IL (US); **Weston S. Koennecke**, Oak Park, IL (US); **John Russell Geer, III**, Downers Grove, IL (US)

(73) Assignee: **Prairie Packaging, Inc.**, Lake Forest, IL (US)

(**) Term: **14 Years**

(21) Appl. No.: **29/275,937**

(22) Filed: **Jan. 10, 2007**

Related U.S. Application Data

(60) Continuation-in-part of application No. 29/248,898, filed on Sep. 8, 2006, now Pat. No. Des. 540,166, which is a division of application No. 29/230,074, filed on May 16, 2005, now Pat. No. Des. 533,778.

(51) **LOC (8) Cl.** **08-07**

(52) **U.S. Cl.** **D9/435**

(58) **Field of Classification Search** D9/454, D9/450, 449, 447, 445, 441, 438, 435, 434; D7/629, 511, 510, 396.2, 392.1, 317, 391, D7/392; D3/203.2, 202; 222/555, 451.2; 220/713, 712, 270, 253, 454.1-9

See application file for complete search history.

(56) **References Cited**

U.S. PATENT DOCUMENTS

2,184,215 A	12/1939	Geyer
2,913,140 A	11/1959	Vuilleminot
3,302,858 A	2/1967	Miller
3,596,792 A	8/1971	Wilcox
3,777,968 A	12/1973	Law
3,860,162 A	1/1975	Schutz
3,952,910 A	4/1976	Wheeler
RE28,797 E	5/1976	Brewer
3,977,559 A	8/1976	Lombardi

(Continued)

Primary Examiner—Robert M. Spear
Assistant Examiner—Susan Bennett Hattan
(74) *Attorney, Agent, or Firm*—Bell, Boyd & Lloyd LLP

(57) **CLAIM**

The ornamental design for a disposable cup lid, as shown and described.

DESCRIPTION

FIG. 1 is a rear perspective view of a disposable cup lid of our new design, that portion of the cup lid shown in phantom is not part of the claimed design and is provided for environmental purposes only.

FIG. 2 is a top plan view of the disposable cup lid, that portion of the cup lid shown in phantom is not part of the claimed design and is provided for environmental purposes only.

FIG. 3 is a bottom plan view of the disposable cup lid, that portion of the cup lid shown in phantom is not part of the claimed design and is provided for environmental purposes only.

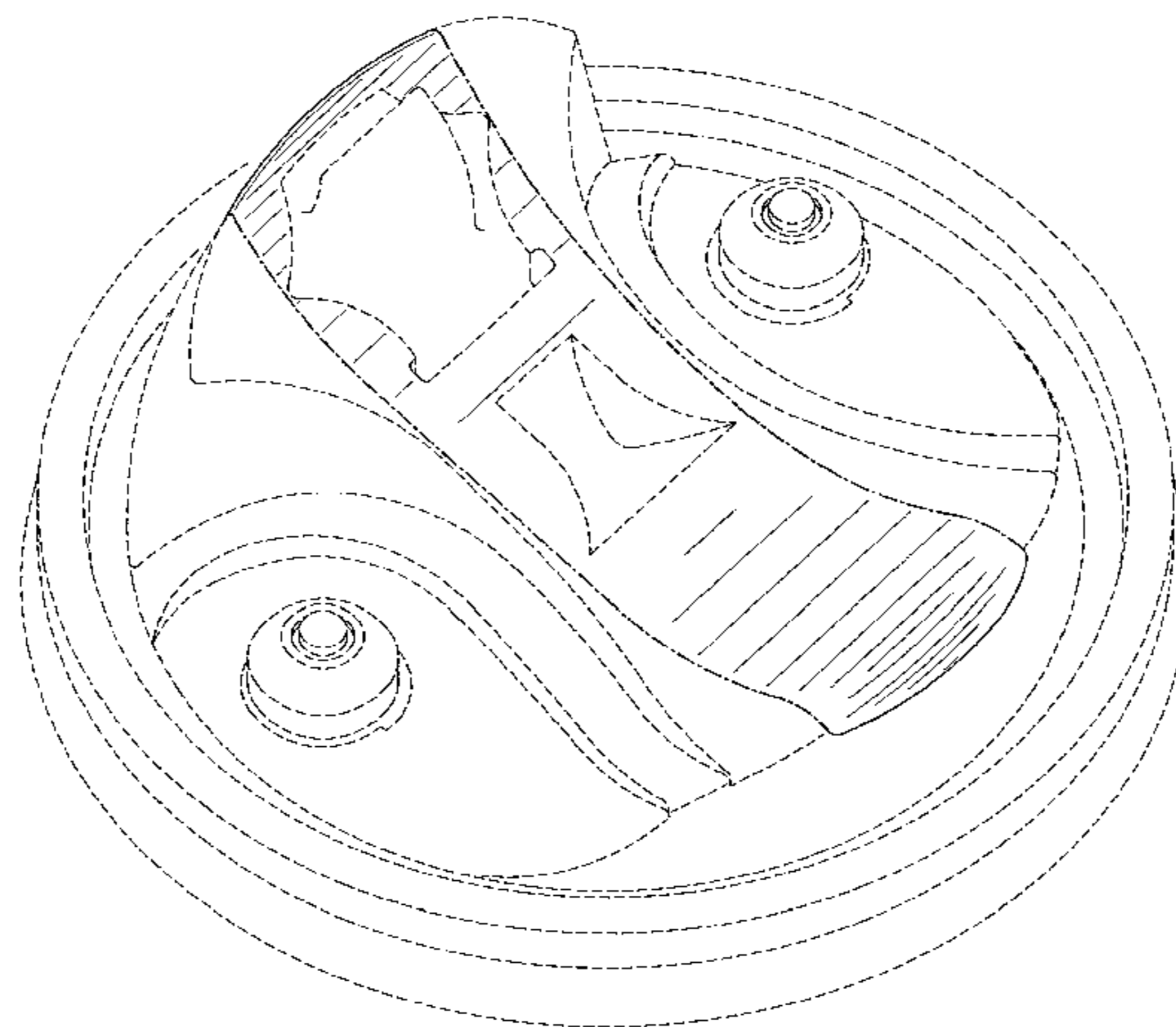
FIG. 4 is a front side view of the disposable cup lid, that portion of the cup lid shown in phantom is not part of the claimed design and is provided for environmental purposes only.

FIG. 5 is a rear side view of the disposable cup lid, that portion of the cup lid shown in phantom is not part of the claimed design and is provided for environmental purposes only; and,

FIG. 6 is a side view of the disposable cup lid, that portion of the cup lid shown in phantom is not part of the claimed design and is provided for environmental purposes only.

The broken lines consisting of a long dash and a dot immediately adjacent to the shaded areas represent the bounds of the claim and form no part of the claimed design.

1 Claim, 3 Drawing Sheets



US D556,573 S

Page 2

U.S. PATENT DOCUMENTS					
3,977,562 A	8/1976	Wedzik	D372,866 S	8/1996	Ahern, Jr.
3,994,411 A	11/1976	Elfelt et al.	D374,590 S	10/1996	Ahern, Jr.
4,056,210 A	11/1977	Boyle	D374,794 S	10/1996	Ahern, Jr.
4,090,660 A	5/1978	Schram et al.	5,613,619 A	3/1997	Van Melle
4,106,660 A	8/1978	Boyle	5,624,053 A	4/1997	Freek et al.
4,113,135 A	9/1978	Yamazki	5,699,927 A	12/1997	Lane et al.
4,138,033 A	2/1979	Payne et al.	5,706,972 A	1/1998	Sousa
4,164,303 A	8/1979	Waterburg	D390,465 S	2/1998	Frye
4,184,604 A	1/1980	Amberg et al.	5,722,558 A	3/1998	Thompson
4,186,842 A	2/1980	Albert	D394,184 S	5/1998	Demore
4,187,954 A	2/1980	Striggow	5,798,079 A	8/1998	Freek et al.
4,190,174 A	2/1980	Haimowitz	5,820,016 A	10/1998	Stropkay
4,202,459 A	5/1980	DeParales et al.	5,839,601 A	11/1998	Van Melle
4,210,272 A	7/1980	Sequin	D402,556 S	12/1998	Frye
4,243,156 A	1/1981	Lobbestael	D405,011 S	2/1999	DeCoster et al.
D259,403 S	6/1981	Frazier, Jr.	5,894,950 A	4/1999	Kick
4,285,442 A	8/1981	Wedzik	5,894,952 A	4/1999	Mendenhall et al.
4,319,691 A	3/1982	Hament	5,911,331 A	6/1999	Boller
4,319,692 A	3/1982	Gundlach	5,947,323 A	9/1999	Freek et al.
4,322,015 A	3/1982	Bailey	D416,170 S	11/1999	Stucke, Jr. et al.
4,345,695 A	8/1982	Galloway et al.	5,979,647 A	11/1999	Han
D267,633 S	1/1983	Christian	5,996,837 A	12/1999	Freek et al.
4,377,244 A	3/1983	Rossetti	D418,363 S	1/2000	Barnes et al.
4,412,629 A	11/1983	Dart et al.	6,076,450 A	6/2000	DiGiorgio, Jr.
D271,857 S	12/1983	Callahan	6,079,588 A	6/2000	Khafizov
4,421,244 A	12/1983	Van Melle	6,089,397 A	7/2000	Van Melle
4,438,865 A	3/1984	Scattaregia	6,176,390 B1	1/2001	Kemp
4,441,624 A	4/1984	Sokolowski	6,209,748 B1	4/2001	Dunbar
D274,502 S	7/1984	Little	6,220,470 B1	4/2001	McHenry et al.
4,460,103 A	7/1984	Rama et al.	6,260,727 B1	7/2001	Durdon
RE31,650 E	8/1984	Serritella	D447,412 S	9/2001	Durdon
D274,983 S	8/1984	Dart et al.	6,398,083 B2	6/2002	Nybakke
4,473,167 A	9/1984	Bailey	D461,361 S	8/2002	Orr et al.
4,489,848 A	12/1984	Braude	6,505,753 B1	1/2003	Freek et al.
4,502,608 A	3/1985	Mills	D470,009 S	2/2003	Turchi et al.
4,518,096 A	5/1985	Winstead	6,533,139 B2	3/2003	Lukacevic
4,566,605 A	1/1986	Rogers	6,571,973 B1	6/2003	Tripsianes
4,582,214 A	4/1986	Dart et al.	D476,566 S	7/2003	Smith et al.
4,589,569 A	5/1986	Clements	D476,567 S	7/2003	Weiss et al.
D285,416 S	9/1986	Dart et al.	D476,891 S	7/2003	Clarke et al.
4,615,459 A	10/1986	Clements	D477,223 S	7/2003	Smith et al.
4,627,537 A	12/1986	Rogers	D478,006 S	8/2003	Smith et al.
4,629,088 A	12/1986	Durgin	D479,802 S	9/2003	Arduini
D287,919 S	1/1987	Clements	6,612,456 B1	9/2003	Hundley et al.
4,738,373 A	4/1988	DeParales	D480,968 S	10/2003	Atkins et al.
4,741,450 A	5/1988	Braude	D481,633 S	11/2003	Schmidtner et al.
4,753,365 A	6/1988	Seppala	6,644,490 B2	11/2003	Clarke
4,756,440 A	7/1988	Gartner	D485,758 S	1/2004	Clarke et al.
4,760,934 A	8/1988	Netsch	D485,759 S	1/2004	Janky et al.
4,934,558 A	6/1990	Vargas	6,679,397 B2	1/2004	Smith et al.
4,938,379 A	7/1990	Kellner	D487,399 S	3/2004	Schmidtner et al.
4,949,865 A	8/1990	Turner	6,702,145 B2	3/2004	Malcolm
4,953,743 A	9/1990	Dart et al.	D489,260 S	5/2004	Smith et al.
5,050,759 A	9/1991	Marble	6,732,875 B2	5/2004	Smith et al.
D323,116 S	1/1992	Dart et al.	D493,718 S	8/2004	Durdon
5,090,584 A	2/1992	Roberts et al.	6,811,049 B2	11/2004	Lukacevic
5,111,961 A	5/1992	Van Melle	6,824,003 B1	11/2004	Wong
5,165,579 A	11/1992	Lund	6,874,649 B2	4/2005	Clarke et al.
5,183,172 A	2/1993	Boller	6,886,707 B2	5/2005	Giraud
5,197,624 A	3/1993	Dodaro	6,889,859 B1	5/2005	Leon
5,253,781 A	10/1993	Van Melle et al.	6,889,860 B2	5/2005	Mazzarolo
5,335,812 A	8/1994	Boller	D516,424 S	3/2006	Schweigert et al.
5,348,181 A	9/1994	Smith et al.	D516,910 S	3/2006	Bresler
D353,769 S	12/1994	Miller	D516,912 S	3/2006	LaMasney
D354,438 S	1/1995	Miller	D516,913 S	3/2006	LaMasney
5,392,949 A	2/1995	McKenna	D522,860 S	6/2006	LaFortune
5,398,843 A	3/1995	Warden et al.	7,063,224 B2	6/2006	Clarke et al.
D360,133 S	7/1995	Boller	7,080,916 B1	7/2006	Ferrin et al.
5,490,609 A	2/1996	Lane et al.	7,100,787 B2	9/2006	Farnsworth et al.
5,503,289 A	4/1996	Fox	7,100,790 B2	9/2006	Dark
5,509,568 A	4/1996	Warden et al.	7,111,749 B1	9/2006	Akers
			D530,602 S	10/2006	Boller et al.
			D531,033 S	10/2006	Schmidtner et al.

US D556,573 S

D533,777 S *	12/2006	Hundley et al.	D9/447	2003/0102312 A1	6/2003	Horner	
D533,778 S	12/2006	Hollis et al.		2003/0116568 A1	6/2003	Clarke et al.	
D533,779 S	12/2006	Schmidtner et al.		2003/0178426 A1	9/2003	Freek et al.	
7,147,126 B2	12/2006	Samson et al.		2003/0192890 A1	10/2003	Mazzarolo	
D535,561 S	1/2007	Smith et al.		2003/0197012 A1	10/2003	Smith et al.	
D535,877 S	1/2007	Tanninen et al.		2003/0218017 A1	11/2003	Schmidtner et al.	
7,156,251 B2	1/2007	Smith et al.		2004/0035868 A1	2/2004	Smith et al.	
7,159,732 B2	1/2007	Smith et al.		2004/0089662 A1	5/2004	Smith et al.	
D536,249 S	2/2007	Smith et al.		2004/0118847 A1	6/2004	Giraud	
7,175,042 B2	2/2007	Durdon		2004/0195239 A1	10/2004	Rush et al.	
7,175,043 B2	2/2007	O'Neal		2005/0092748 A1	5/2005	Durdon	
D537,717 S *	3/2007	Notarianni	D9/449	2005/0092749 A1	5/2005	Durdon	
7,185,781 B2	3/2007	Pitts		2006/0163251 A1	7/2006	Kelstrom et al.	
7,191,911 B2	3/2007	O'Neill		2006/0201945 A1	9/2006	Tedford, Jr.	
7,195,130 B2	3/2007	Pendergrass et al.		2006/0213908 A1	9/2006	Clarke et al.	
D539,649 S	4/2007	Smith et al.		2006/0226147 A1	10/2006	Phillips	
D539,650 S	4/2007	Smith et al.		2006/0226148 A1	10/2006	Hundley et al.	
D540,167 S	4/2007	Smith et al.		2006/0261068 A1	11/2006	Schmidtner et al.	
2002/0027139 A1	3/2002	O'Neill		2006/0273093 A1	12/2006	Portman et al.	
2002/0038803 A1	4/2002	Malcolm		2007/0034629 A1	2/2007	Mazzarolo	
2003/0024929 A1	2/2003	Smith et al.		2007/0045316 A1 *	3/2007	Arnljots	220/254.5
2003/0024930 A1	2/2003	Smith et al.		2007/0075080 A1	4/2007	Farnsworth et al.	
2003/0052127 A1	3/2003	Mazzarolo					
2003/0089714 A1	5/2003	Dart et al.					
2003/0089726 A1	5/2003	Mazzarolo					

* cited by examiner

FIG.1

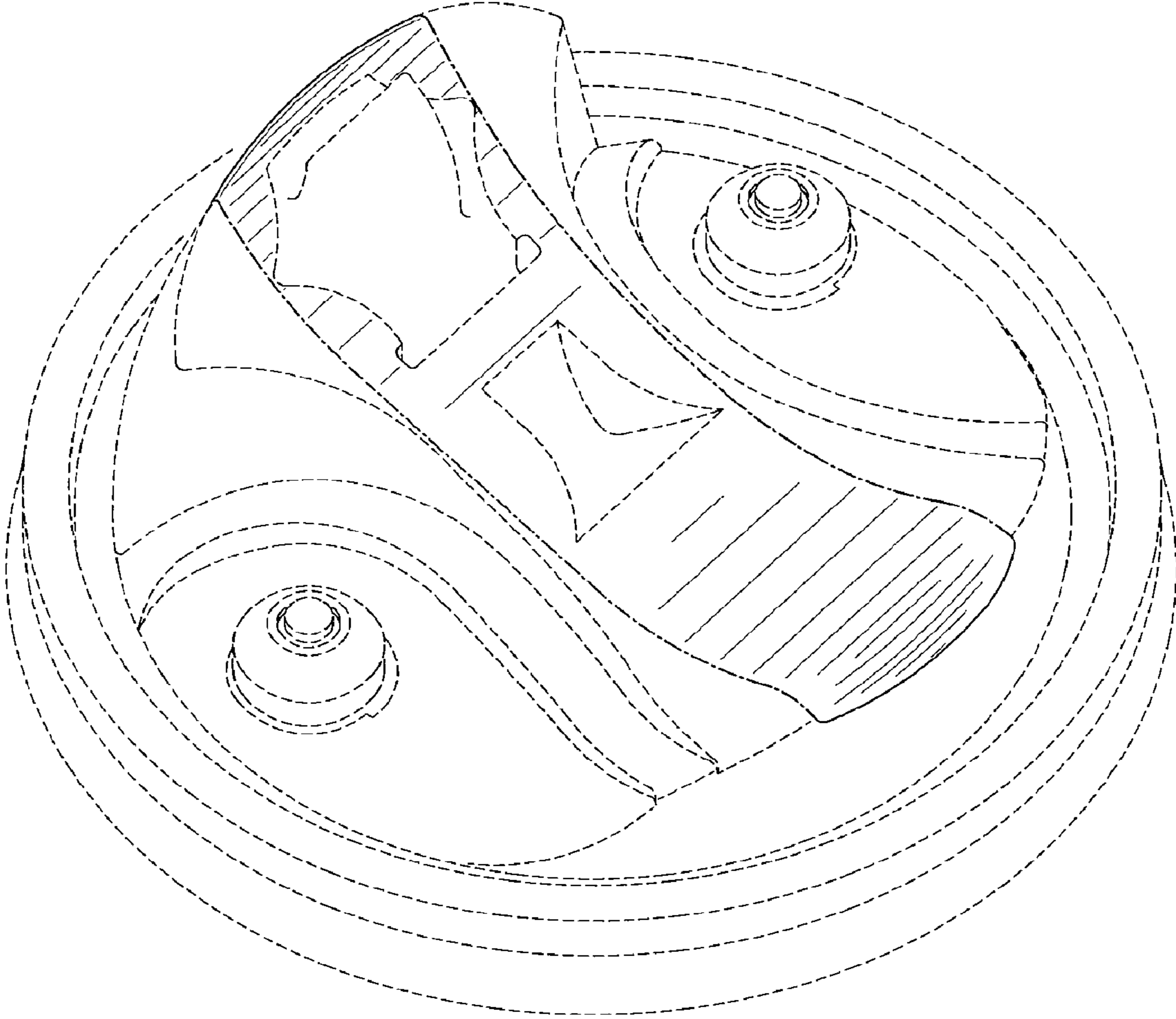


FIG. 2

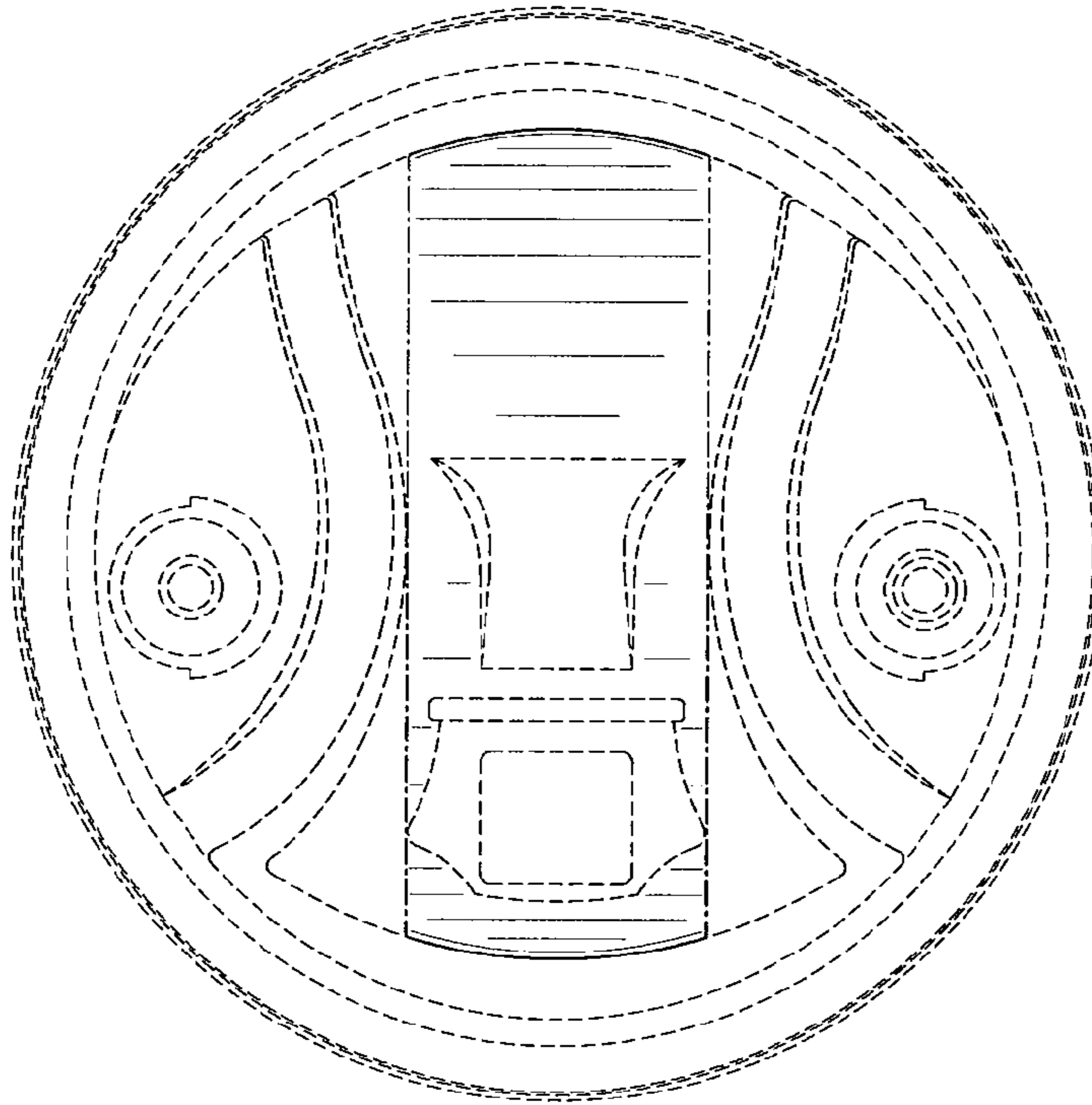


FIG. 3

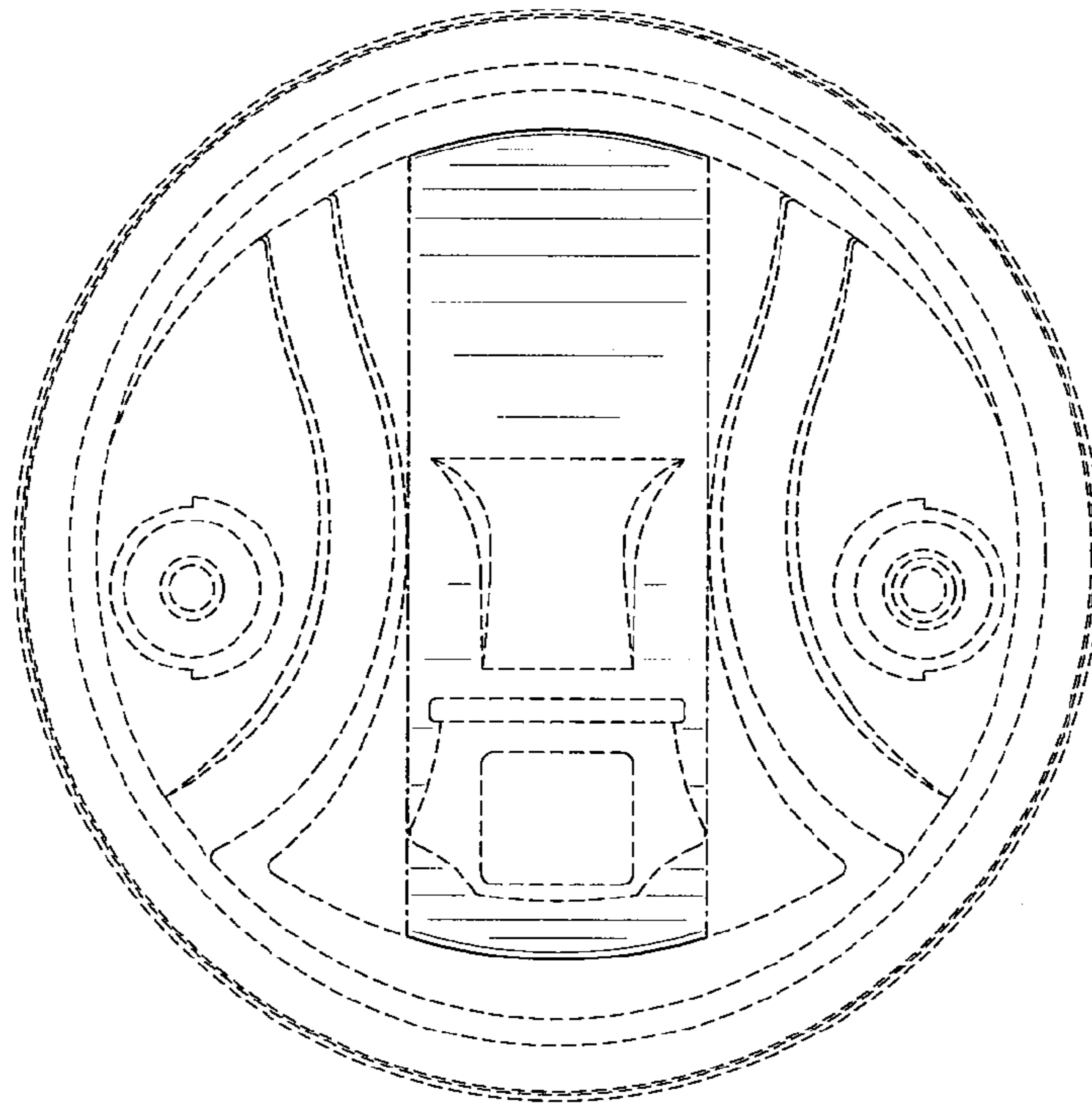


FIG. 4

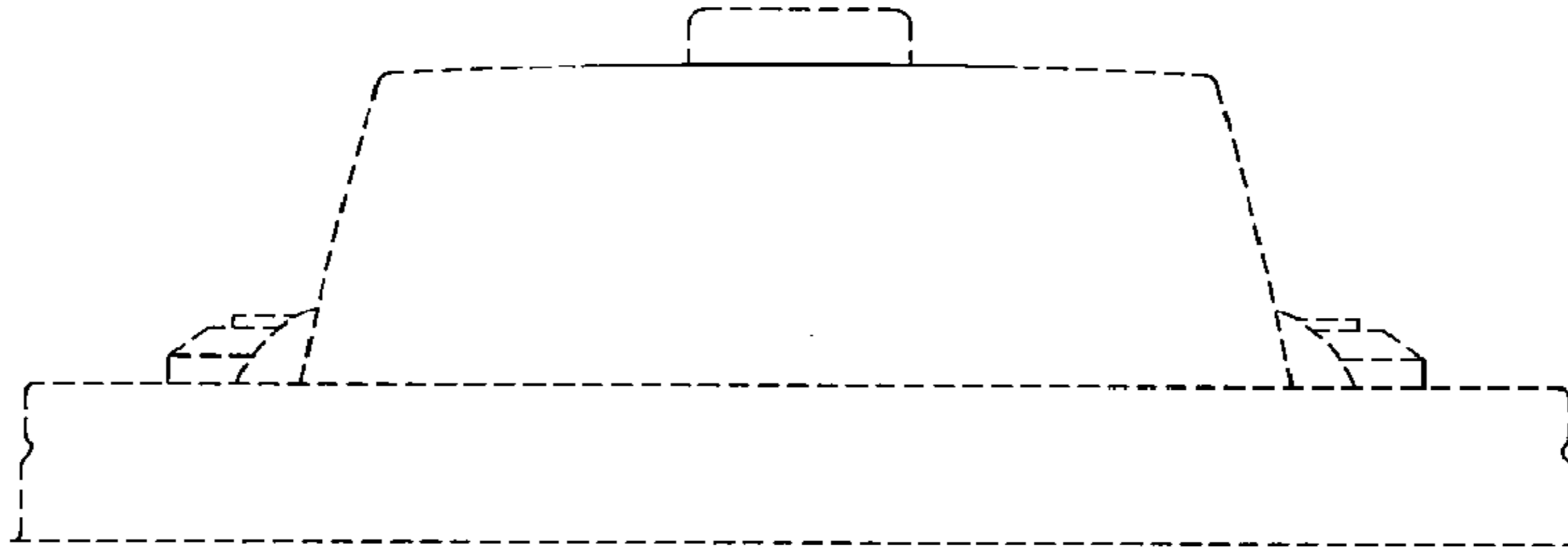


FIG. 5

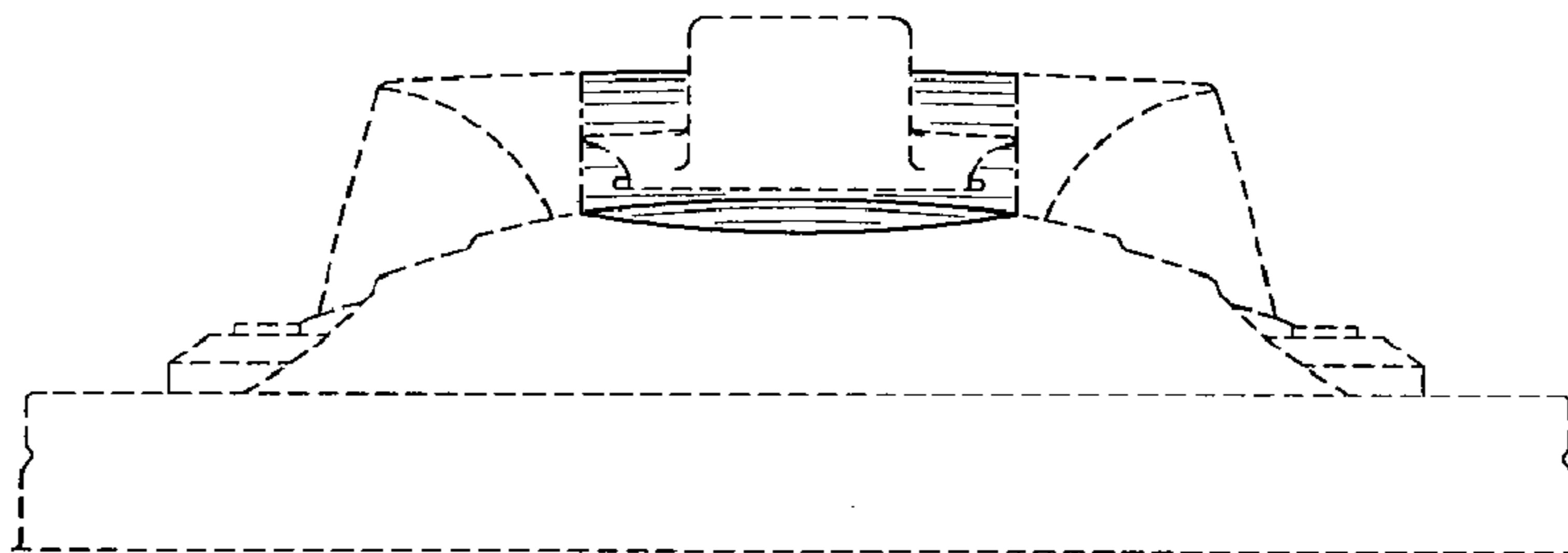


FIG. 6

