



US00D556569S

(12) **United States Design Patent**
Stein et al.

(10) **Patent No.: US D556,569 S**

(45) **Date of Patent: ** Dec. 4, 2007**

(54) **CONTAINER**

(75) Inventors: **Bruce Stein**, Easton, CT (US); **Robert Sellari**, Shelton, CT (US)

(73) Assignee: **Inline Plastics Corp.**, Shelton, CT (US)

(**) Term: **14 Years**

(21) Appl. No.: **29/268,551**

(22) Filed: **Nov. 8, 2006**

(51) **LOC (8) Cl.** **09-03**

(52) **U.S. Cl.** **D9/428; D9/424; D9/429**

(58) **Field of Classification Search** D9/414-432,
D9/748-762, 449, 456; D7/538-545, 601-602,
D7/629; 206/484-484.2, 518, 557, 459.1,
206/524.3; 220/287, 556, 266, 241-2, 780-1,
220/350; 312/31.04; 426/109, 112-119,
426/506, 524

See application file for complete search history.

(56) **References Cited**

U.S. PATENT DOCUMENTS

D22,701 S * 8/1893 McGill D9/425

(Continued)

Primary Examiner—Stella M. Reid

Assistant Examiner—Susan E Krakower

(74) *Attorney, Agent, or Firm*—Edwards Angell Palmer & Dodge LLP

(57) **CLAIM**

The ornamental design for a container, as shown and described.

DESCRIPTION

FIG. 1 is a perspective view of a container according to a first embodiment of the present invention;

FIG. 2 is a perspective view thereof, in an opened condition;

FIG. 3 is a side elevational view thereof, in an opened condition;

FIG. 4 is a top plan view thereof, in an opened condition;

FIG. 5 is a bottom plan view thereof, in an opened condition;

FIG. 6 is a perspective view of a container according to a second embodiment of the present invention;

FIG. 7 is a perspective view thereof, in an opened condition;

FIG. 8 is a side elevational view thereof, in an opened condition;

FIG. 9 is a top plan view thereof, in an opened condition;

FIG. 10 is a bottom plan view thereof, in an opened condition;

FIG. 11 is a perspective view of a container according to a third embodiment of the present invention;

FIG. 12 is a perspective view thereof, in an opened condition;

FIG. 13 is a side elevational view thereof, in an opened condition;

FIG. 14 is a top plan view thereof, in an opened condition;

FIG. 15 is a bottom plan view thereof, in an opened condition;

FIG. 16 is a perspective view of a container according to a fourth embodiment of the present invention;

FIG. 17 is a perspective view thereof, in an opened condition;

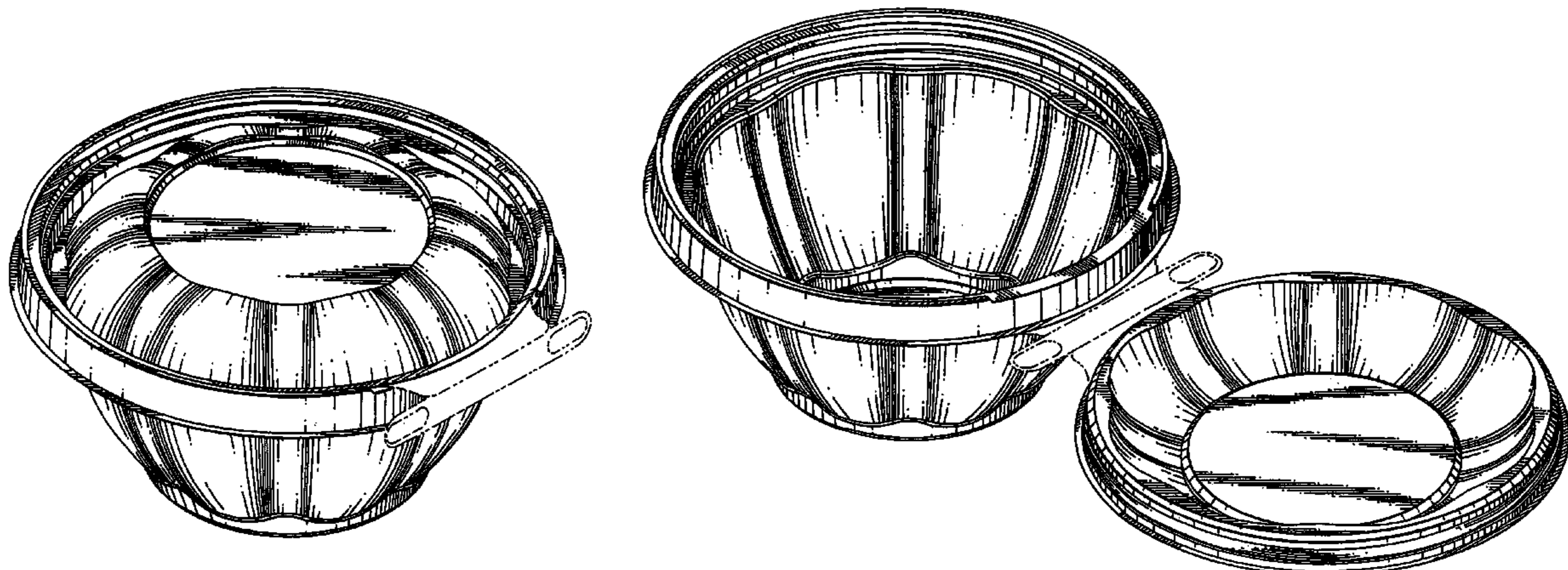
FIG. 18 is a side elevational view thereof, in an opened condition;

FIG. 19 is a top plan view thereof, in an opened condition; and,

FIG. 20 is a bottom plan view thereof, in an opened condition.

The broken line showing of the hinge area is included for the purpose of illustrating environmental structure and forms no part of the claimed design.

1 Claim, 20 Drawing Sheets



US D556,569 S

Page 2

U.S. PATENT DOCUMENTS

D192,485 S *	3/1962	Eicholtz	D9/429	D434,948 S	12/2000	Terracciano	
3,902,540 A	9/1975	Commisso		D438,794 S *	3/2001	Miles et al.	D9/429
3,955,710 A	5/1976	Commisso		D449,965 S	11/2001	Liu	
4,705,172 A	11/1987	Gage		D450,537 S *	11/2001	Hayes	D7/538
4,795,056 A	1/1989	Meyers		D450,580 S	11/2001	Littlejohn et al.	
D303,633 S	9/1989	Terauds		D452,821 S *	1/2002	Westphal	D9/429
D362,594 S *	9/1995	McEntee	D7/538	D468,202 S	1/2003	Chou	
D364,090 S	11/1995	Krupa		D479,672 S *	9/2003	Wichmann et al.	D7/565
D373,954 S	9/1996	Wolff		D485,470 S *	1/2004	Willis	D7/542
D392,159 S	3/1998	Longstreth		D494,062 S *	8/2004	Willis	D9/428
D398,845 S *	9/1998	Wyslotsky	D9/425	D497,548 S	10/2004	Nordland	
D398,846 S *	9/1998	Wyslotsky	D9/425	D504,281 S *	4/2005	Duggan	D7/540
D415,025 S *	10/1999	McCann	D9/429				

* cited by examiner

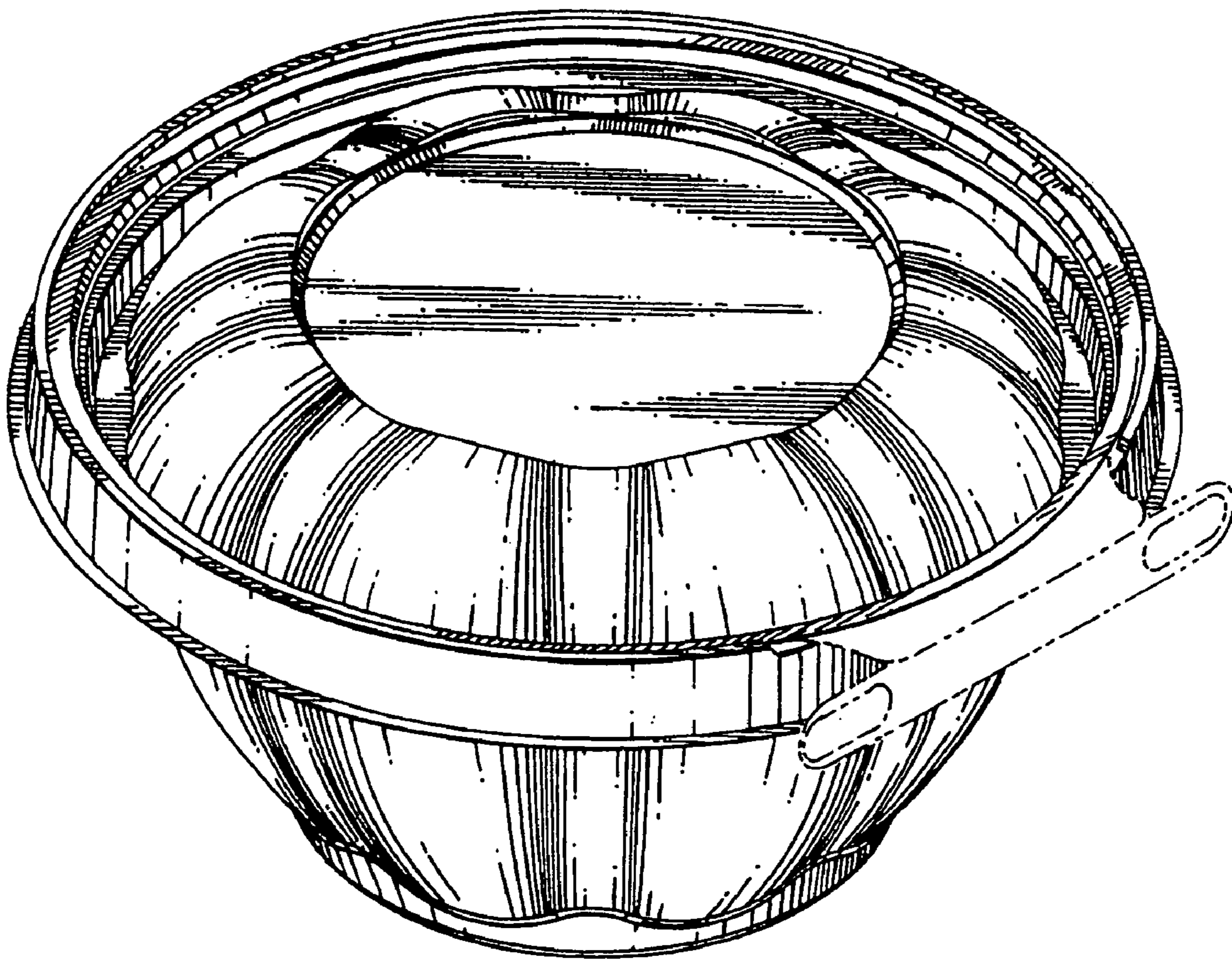
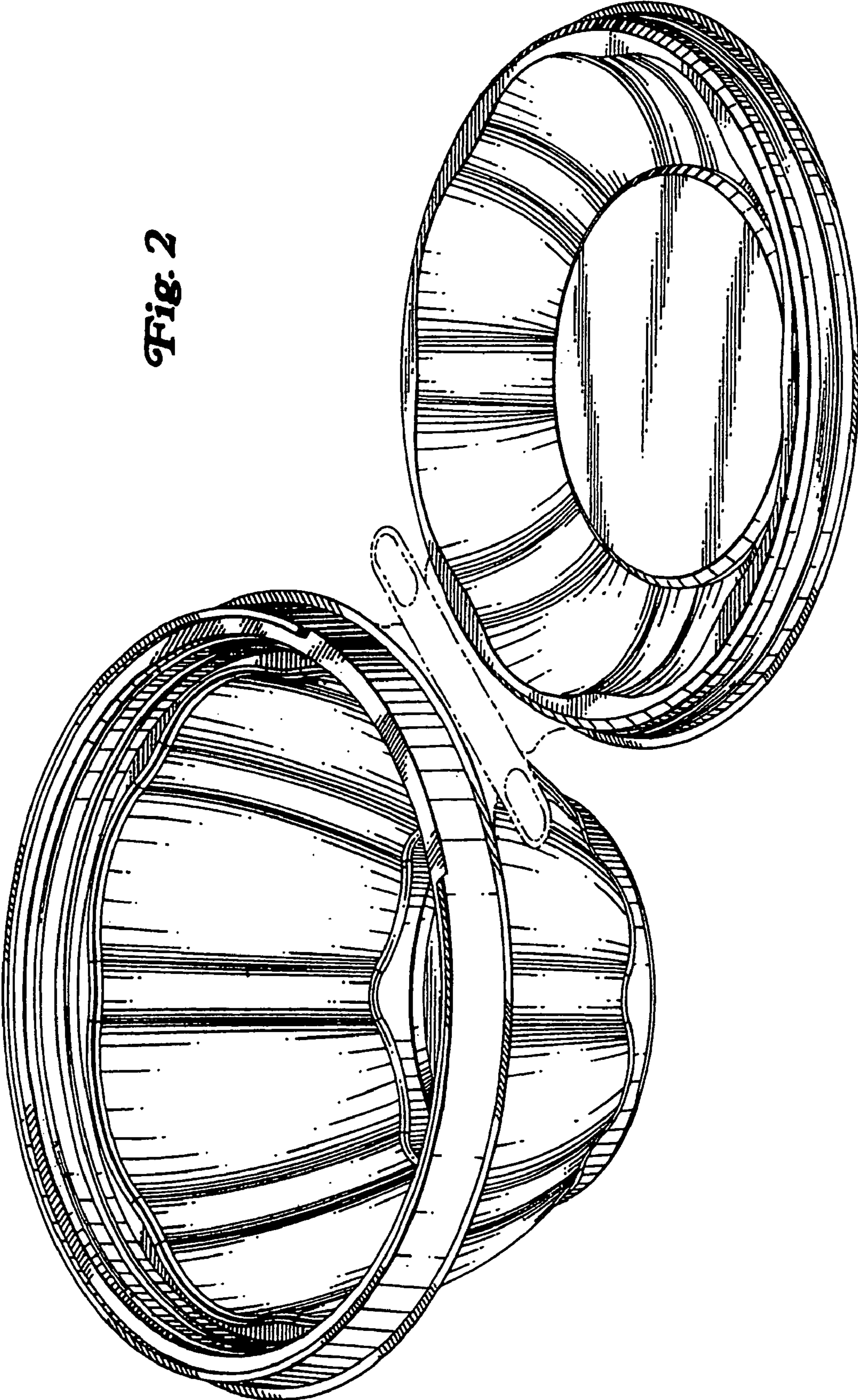


Fig. 1

Fig. 2



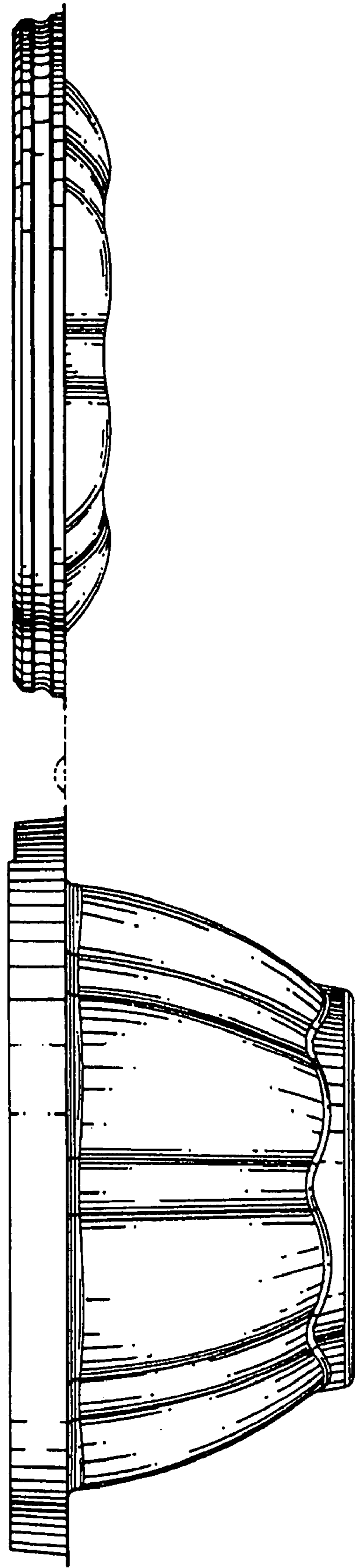


Fig. 3

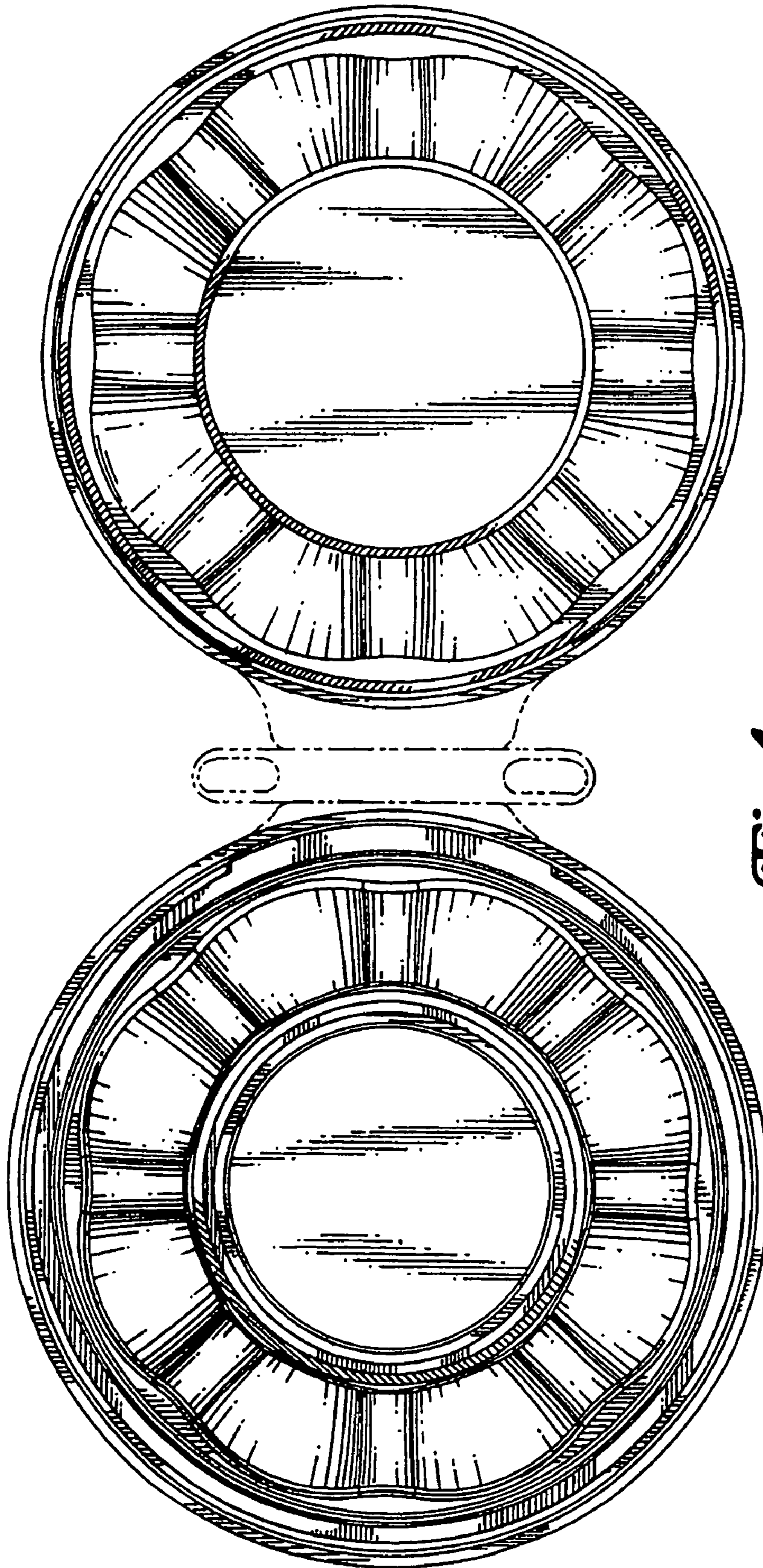


Fig. 4

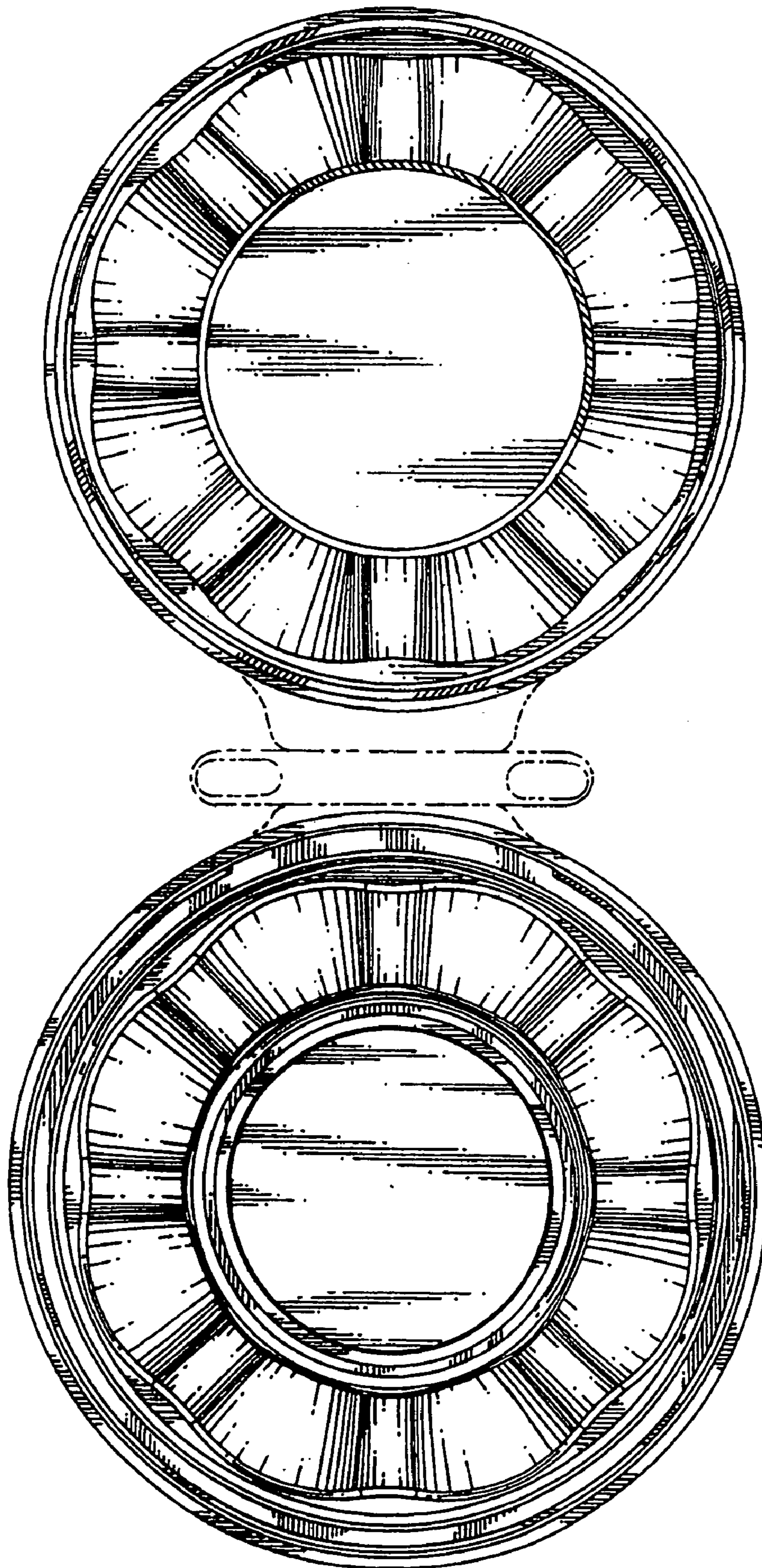


Fig. 5

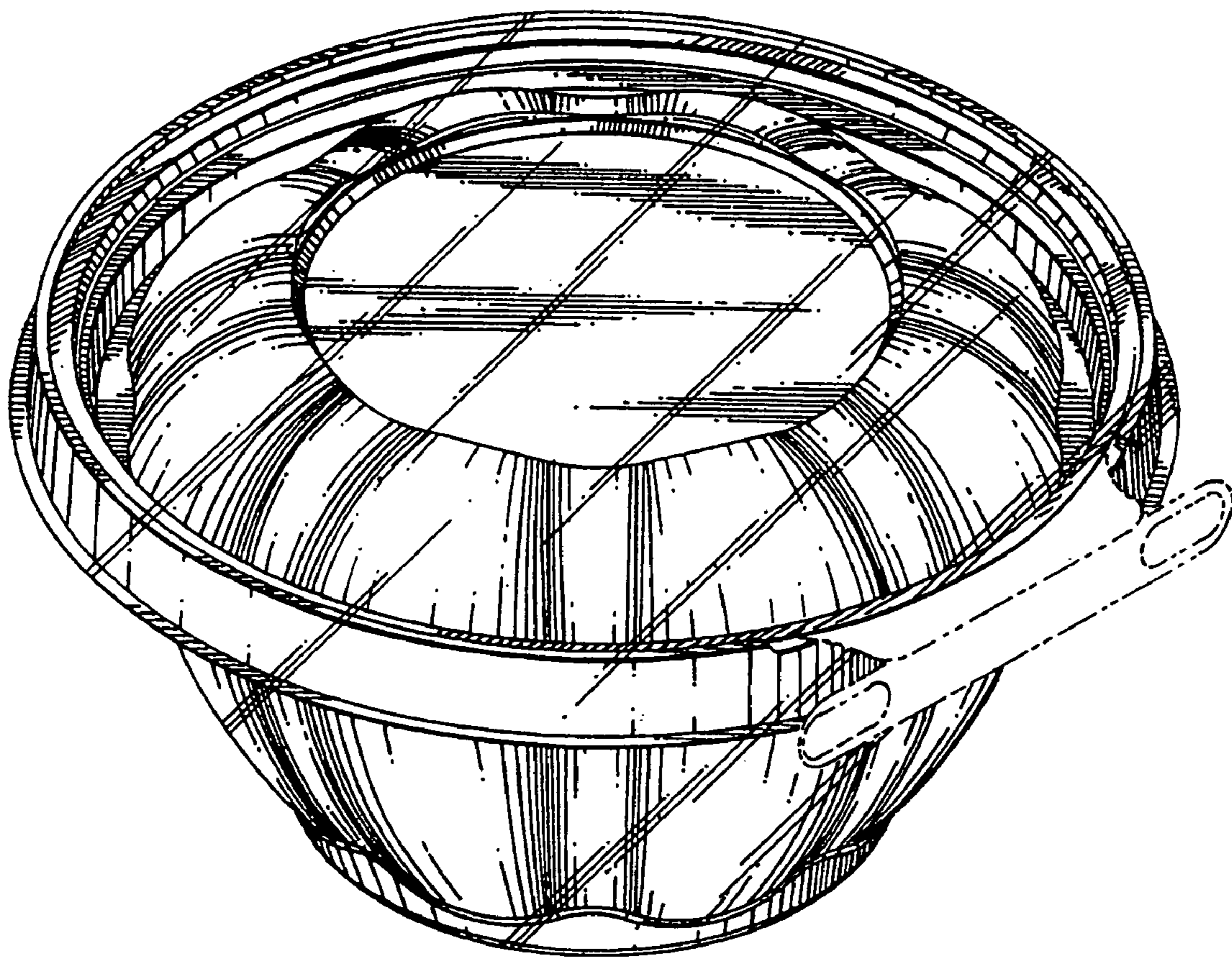
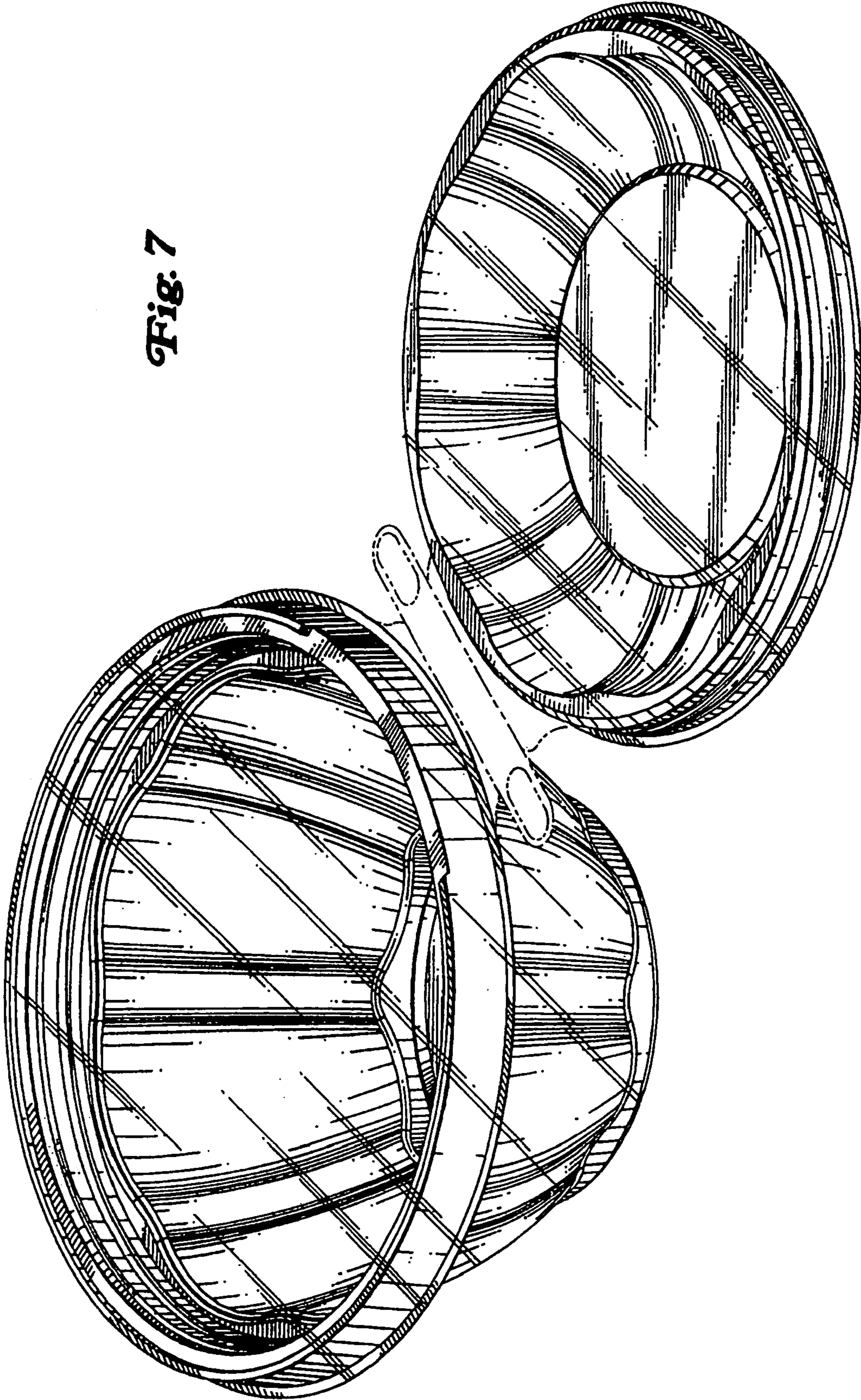


Fig. 6

Fig. 7



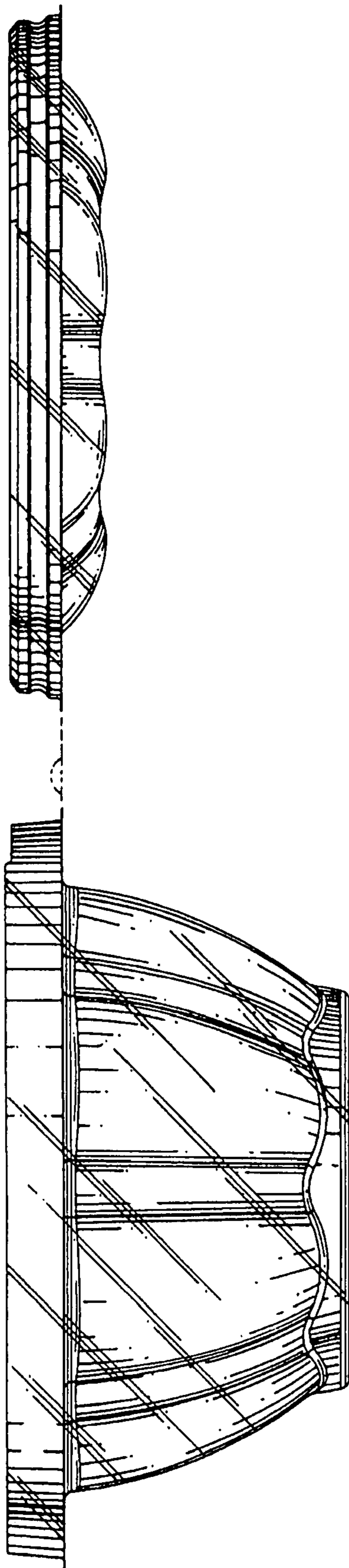


Fig. 8

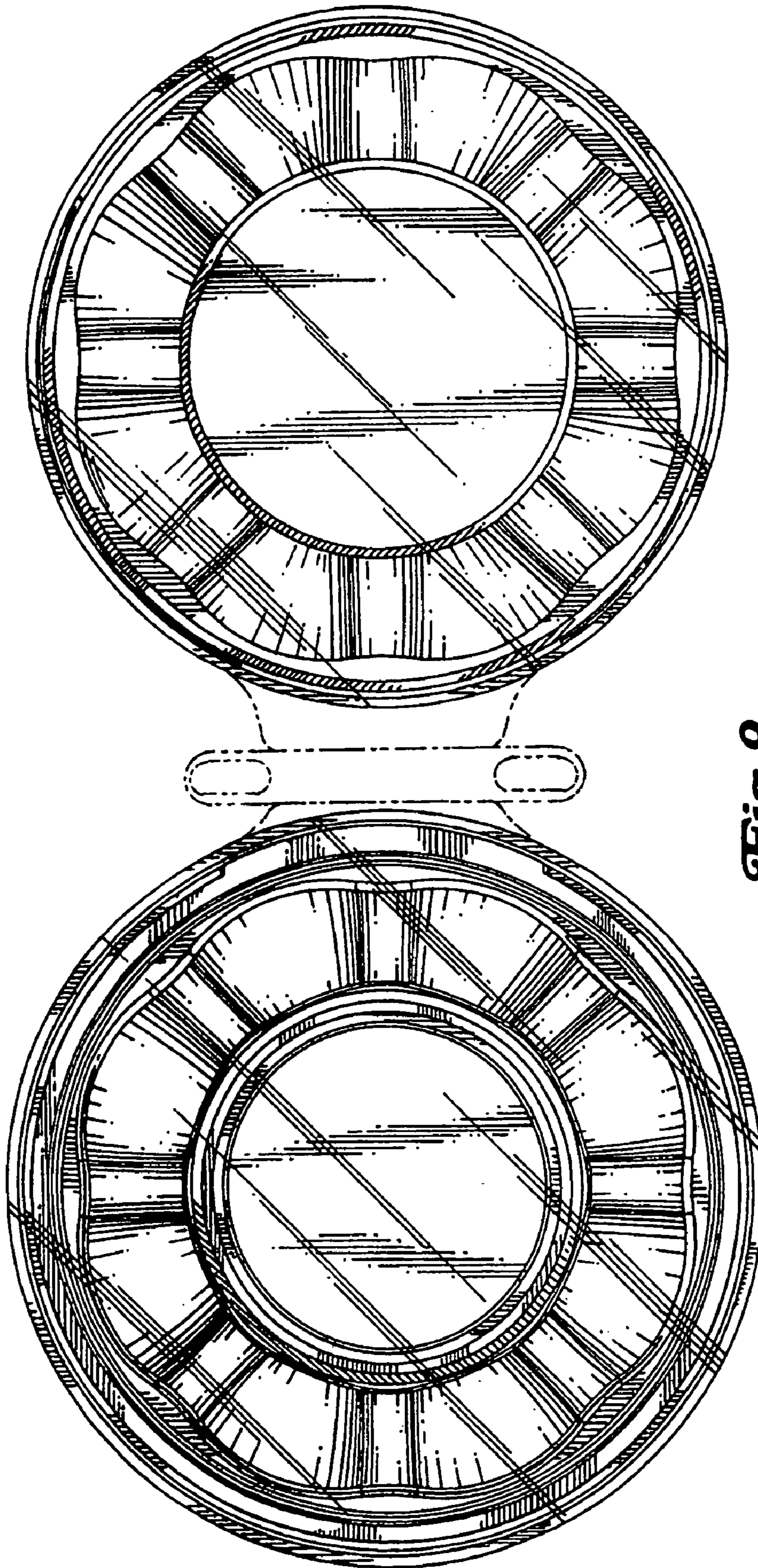


Fig. 9

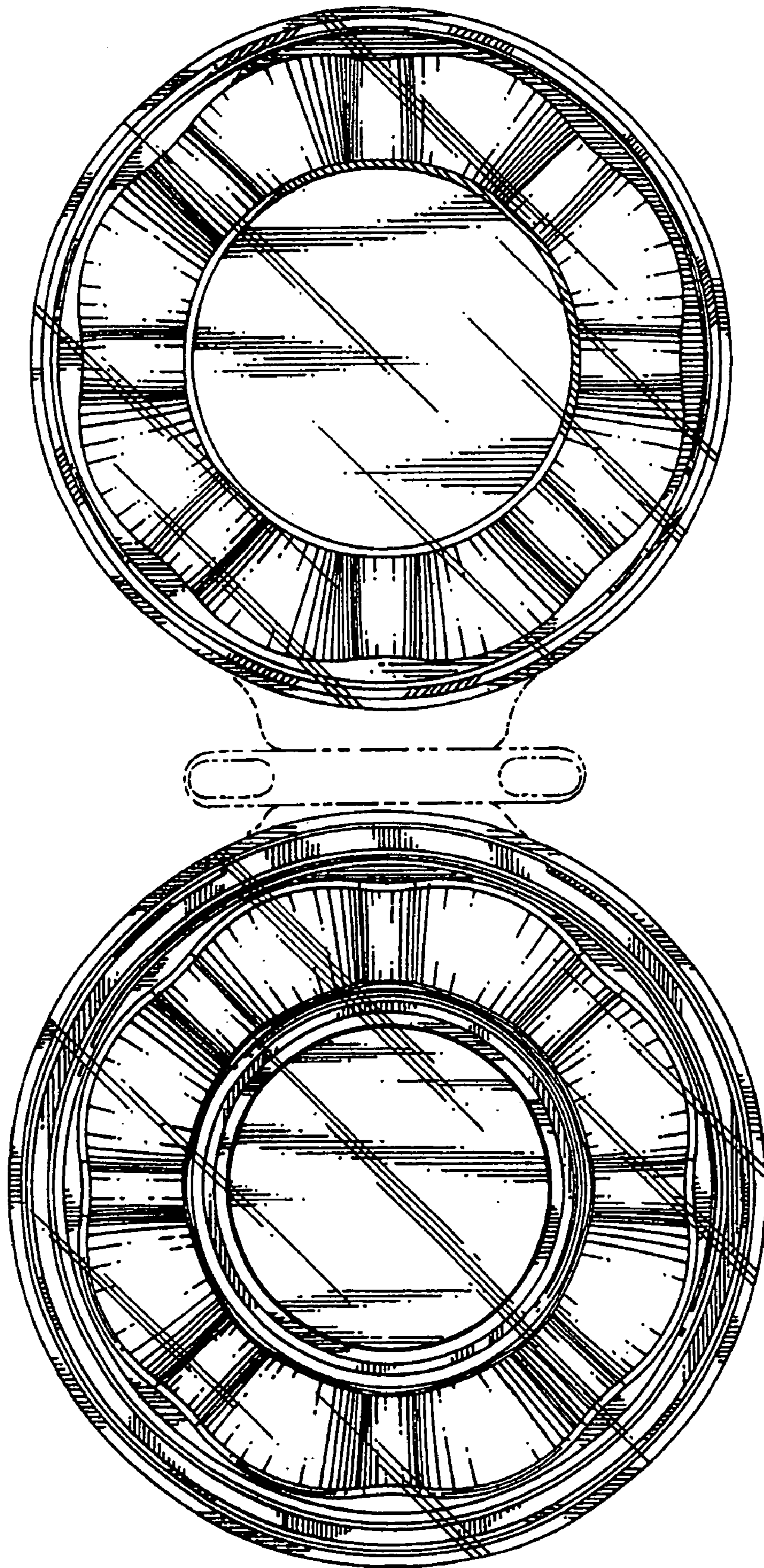


Fig. 10

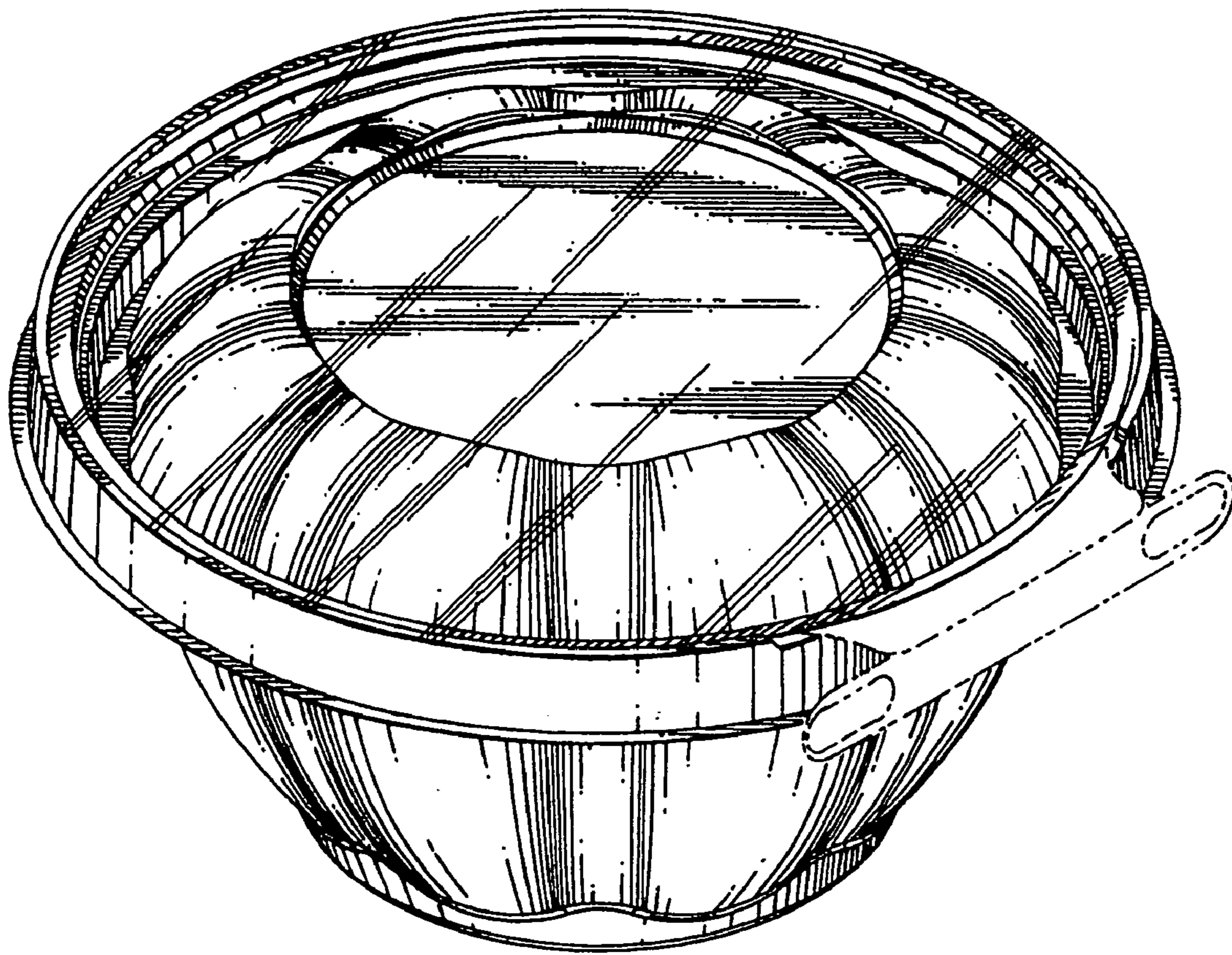
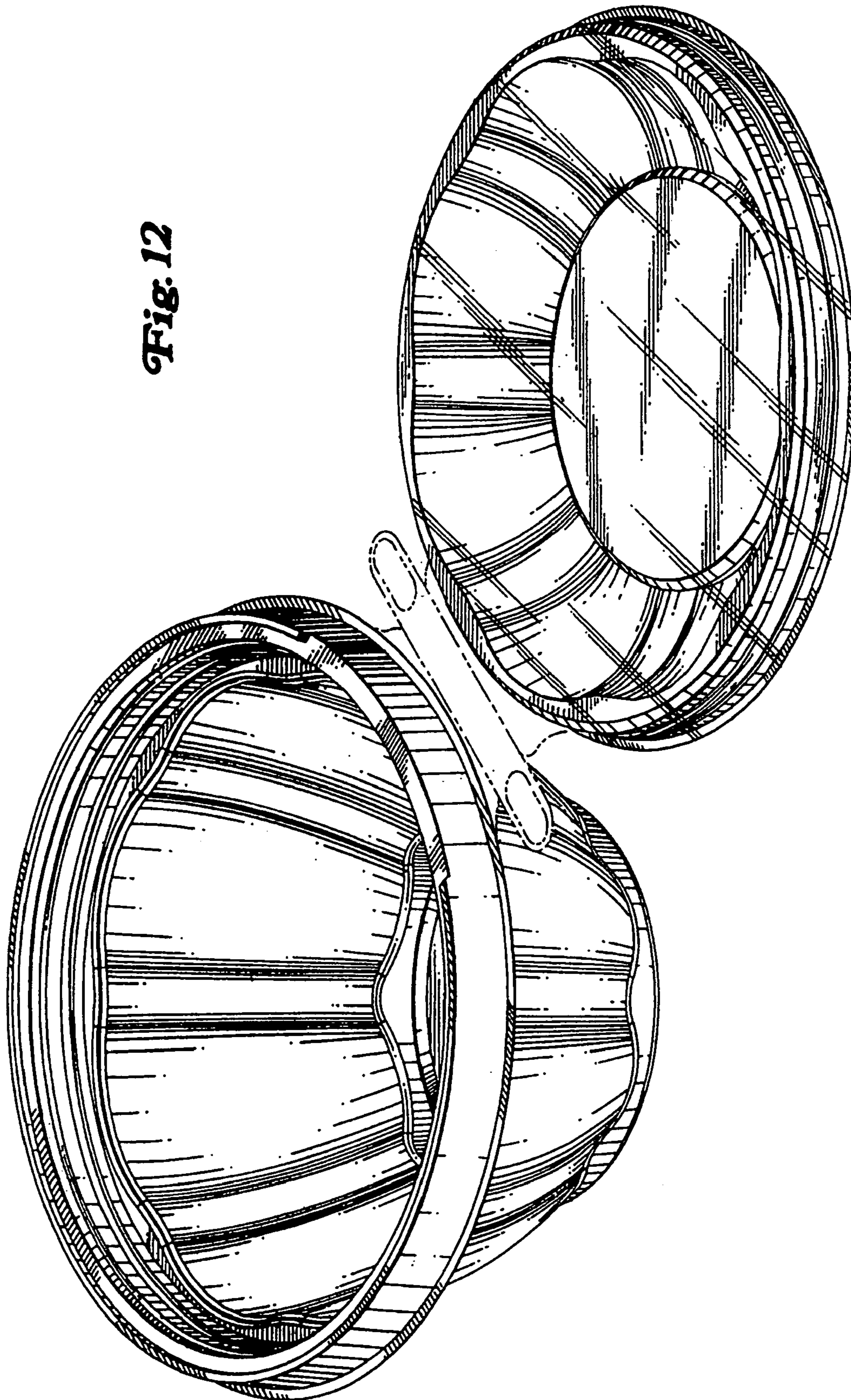


Fig. 11

Fig. 12



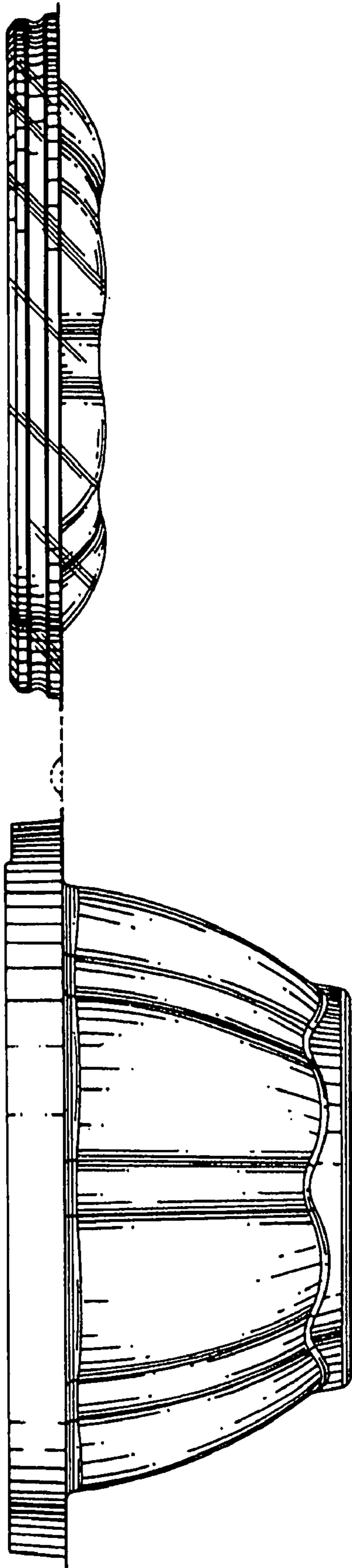


Fig. 13

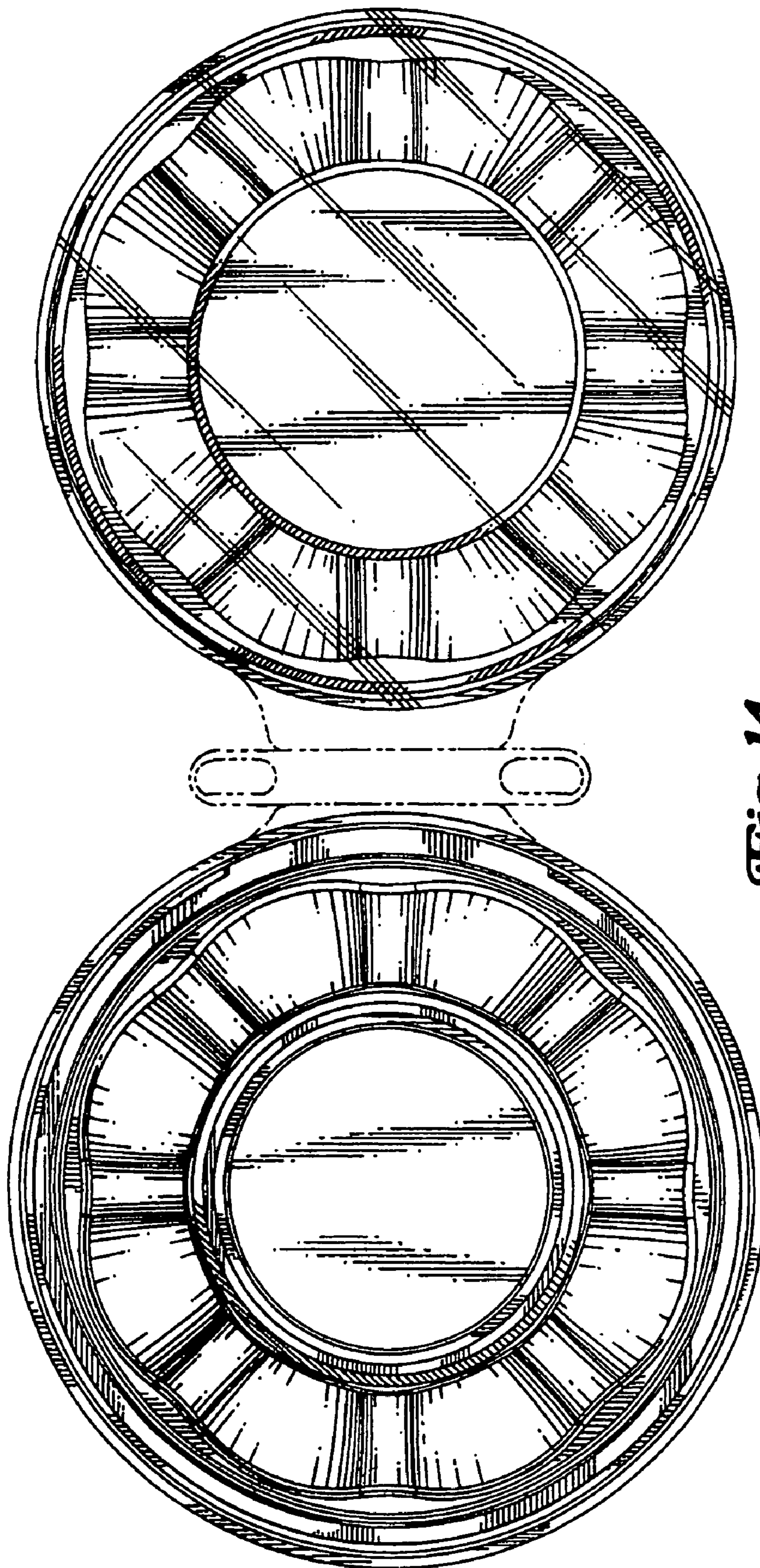


Fig. 14

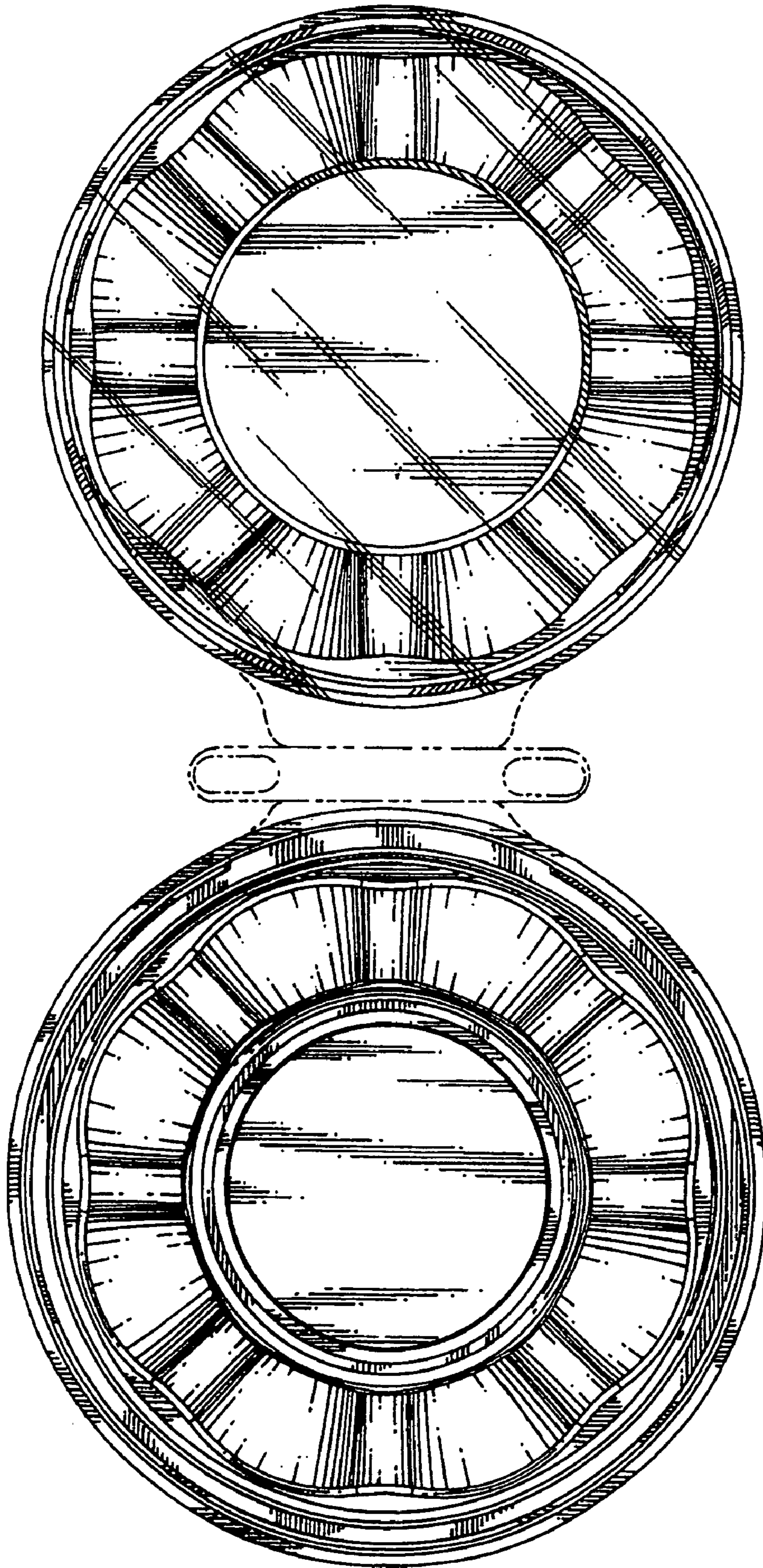


Fig. 15

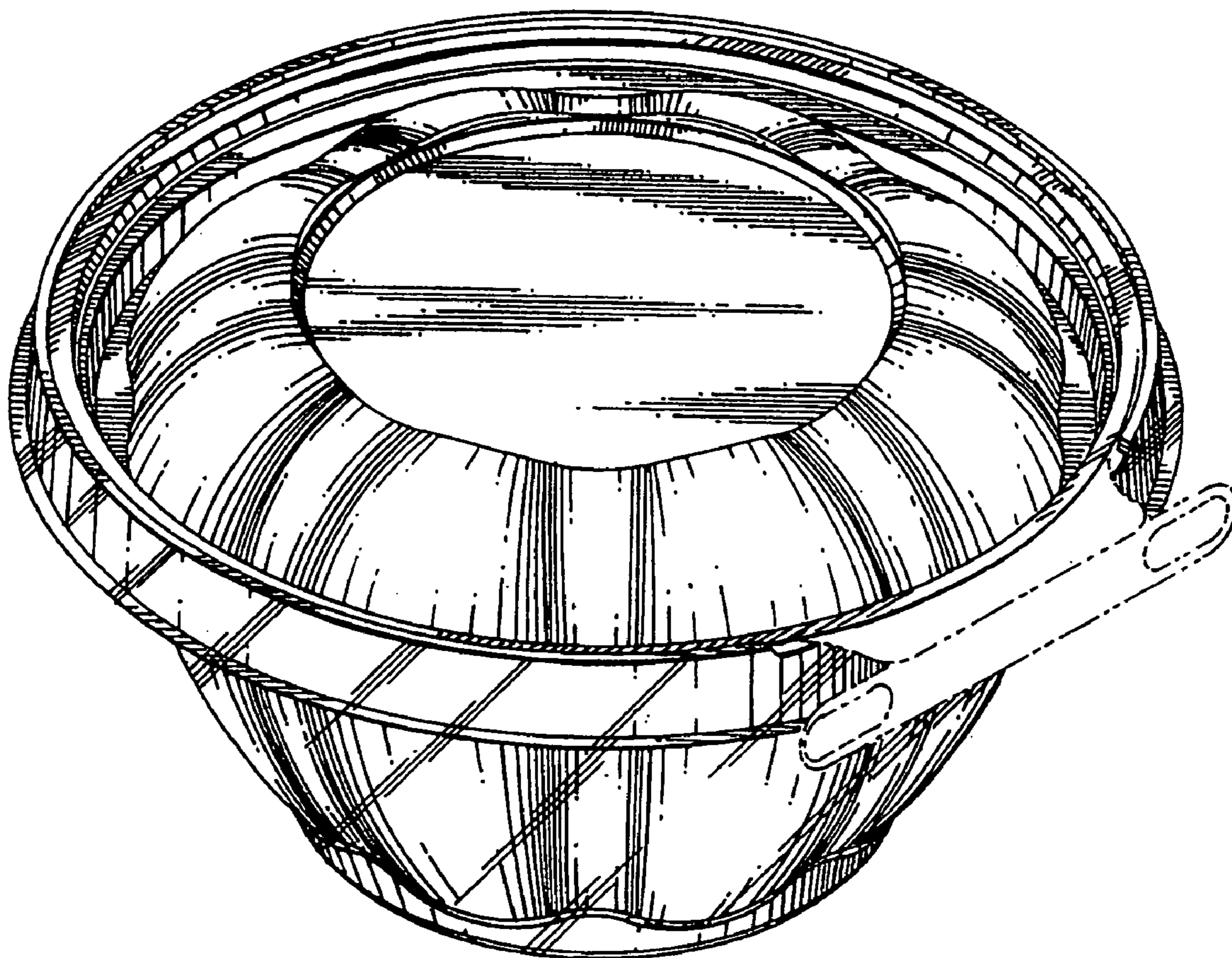
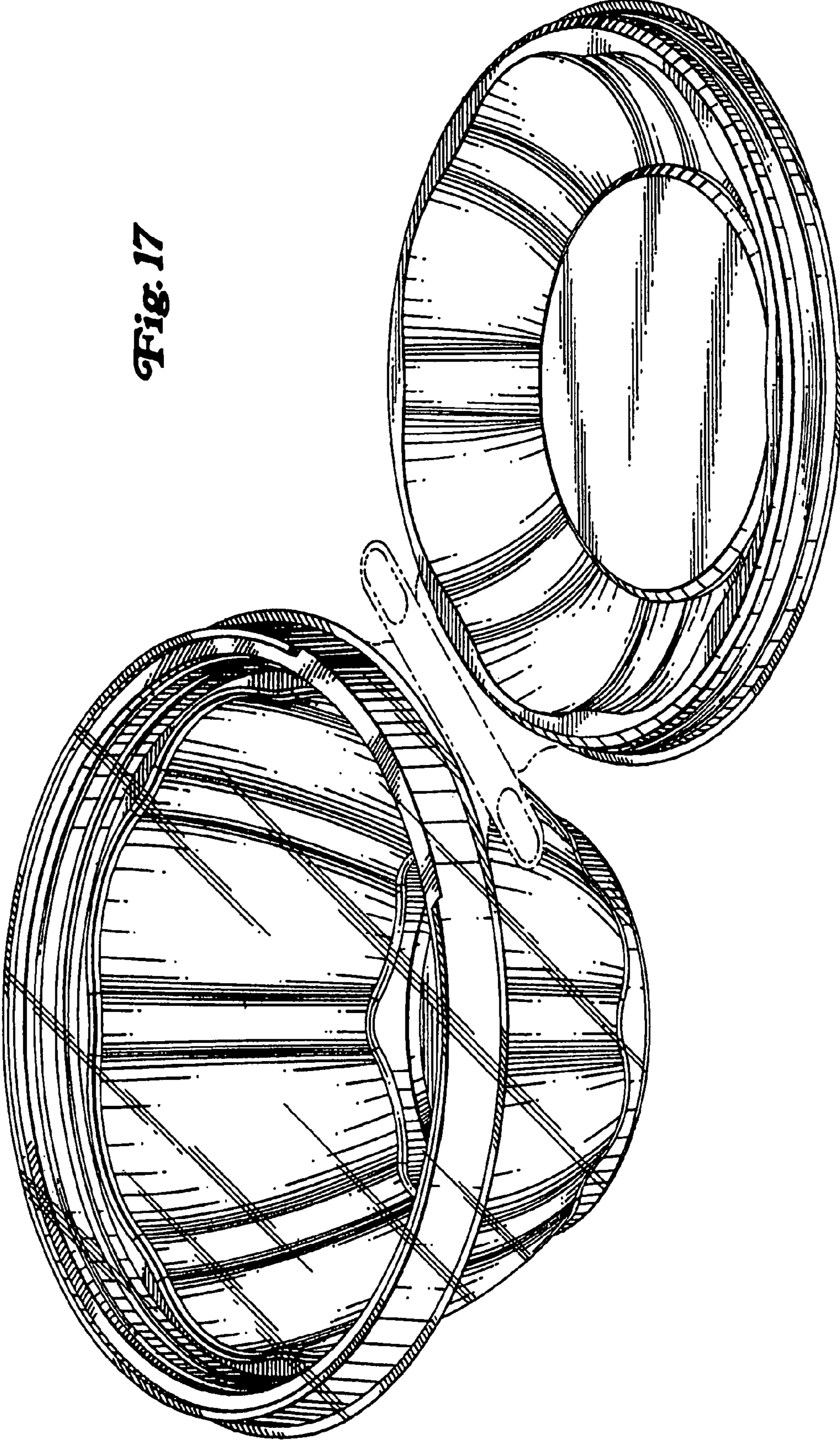


Fig. 16

Fig. 17



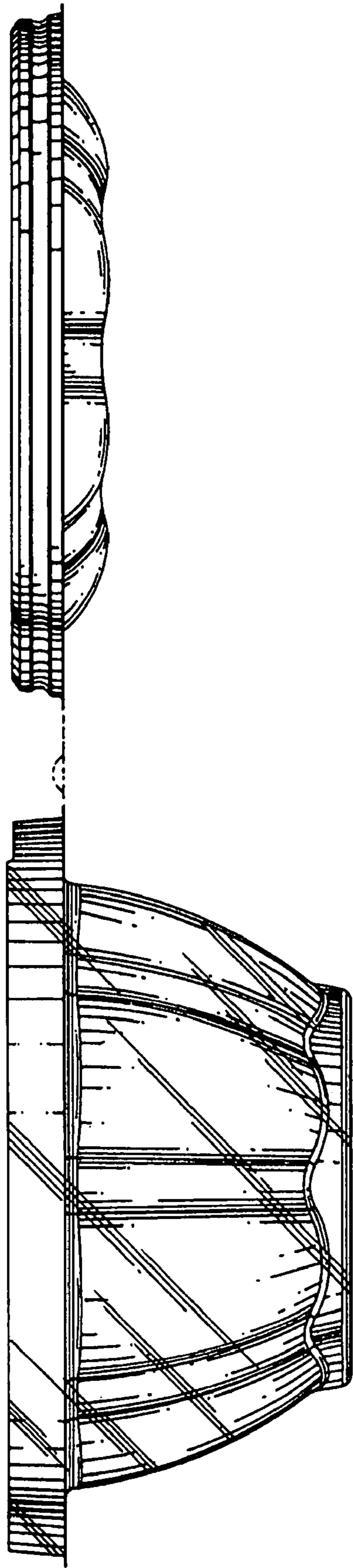


Fig. 18

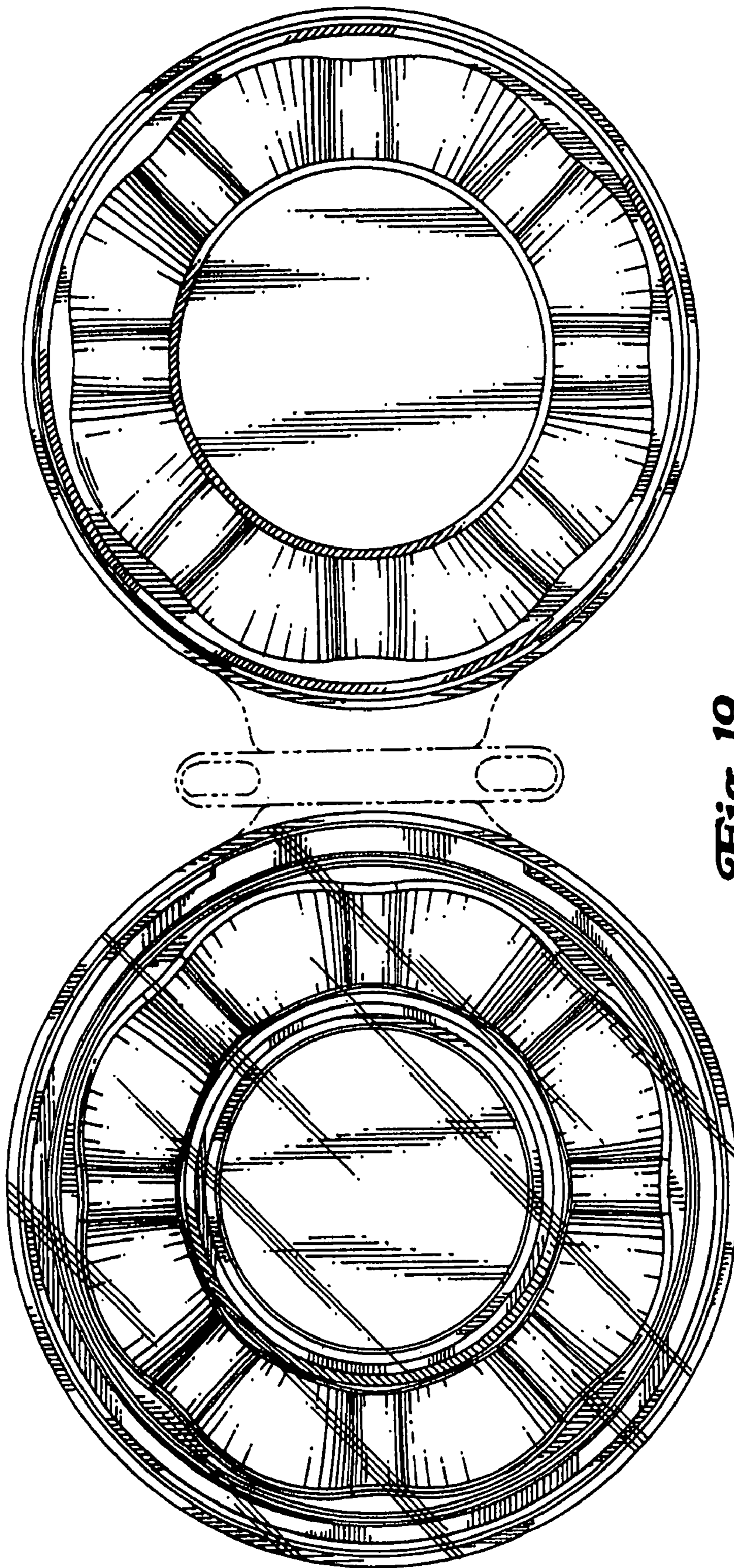


Fig. 19

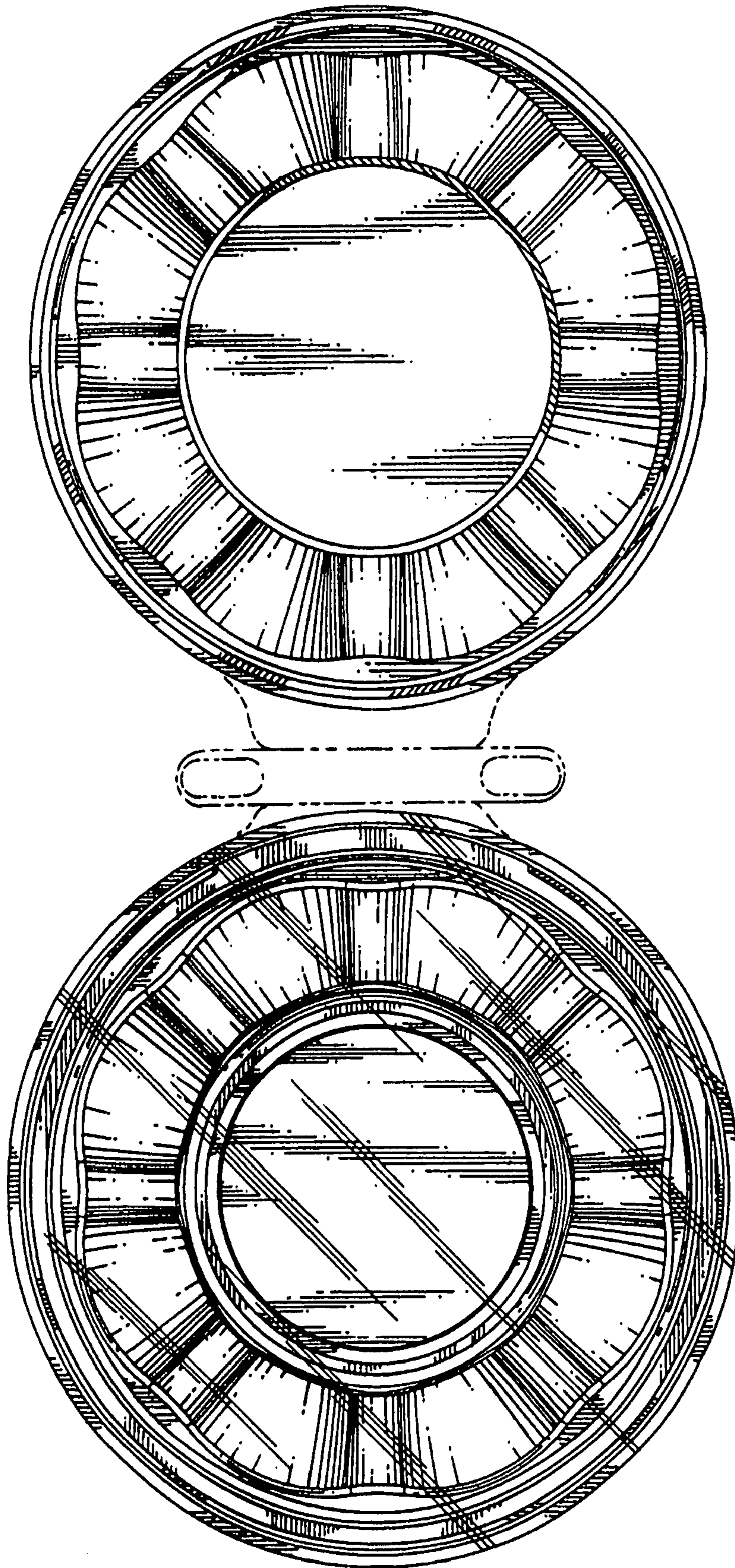


Fig. 20