



US00D556568S

(12) **United States Design Patent**  
**DuVal**

(10) **Patent No.:** **US D556,568 S**

(45) **Date of Patent:** **\*\* Dec. 4, 2007**

(54) **PET CONTAINER**

(75) Inventor: **Dean Larry DuVal**, Lebanon, OH (US)

(73) Assignee: **Procter & Gamble Company**,  
Cincinnati, OH (US)

(\*\*) Term: **14 Years**

(21) Appl. No.: **29/245,221**

(22) Filed: **Dec. 19, 2005**

(51) **LOC (8) Cl.** ..... **19-03**

(52) **U.S. Cl.** ..... **D9/428; D9/503; D30/129;**  
**D7/540; D7/584**

(58) **Field of Classification Search** ..... D9/414-433,  
D9/457, 701, 341-348, 560, 730-762, 304,  
D9/227, 500, 503; 206/199, 428, 461-471,  
206/495, 806, 508, 776, 779; 229/122, 125,  
229/11, 131.1, 117.16, 242; 220/630, 602,  
220/212, 245.7, 780; D7/538, 540, 542,  
D7/584-587, 545, 523, 602, 629; D30/129-132  
See application file for complete search history.

(56) **References Cited**

**U.S. PATENT DOCUMENTS**

D63,117 S	10/1923	Aymar	
3,051,303 A *	8/1962	Daanen et al.	206/776
3,307,602 A	3/1967	Boster	
D234,180 S *	1/1975	Dart et al.	D7/584
D245,643 S *	8/1977	Orfei	D11/154
D248,006 S *	5/1978	Christian	D7/584
D281,754 S *	12/1985	Trombly	D7/540

D362,594 S *	9/1995	McEntee	D7/538
D383,944 S *	9/1997	Lillelund et al.	D7/558
D394,189 S	5/1998	Reynaert et al.	
D447,007 S *	8/2001	Schultz	D7/545
D466,256 S *	11/2002	Kaplan	D30/129
D478,475 S	8/2003	Backes et al.	
D491,019 S *	6/2004	Marsden et al.	D7/523
6,796,430 B2 *	9/2004	Mercier et al.	206/505
D511,458 S	11/2005	Dunwoody et al.	
D516,255 S *	2/2006	Maguire	D30/129
2003/0155363 A1 *	8/2003	Mercier	220/630

\* cited by examiner

*Primary Examiner*—Lou Zarfaz

*Assistant Examiner*—Susan E Krakower

(74) *Attorney, Agent, or Firm*—Cynthia L. Clay; Sarah Ann Dressel; Kim W. Zerby

(57) **CLAIM**

The ornamental design for a pet container, as shown and described.

**DESCRIPTION**

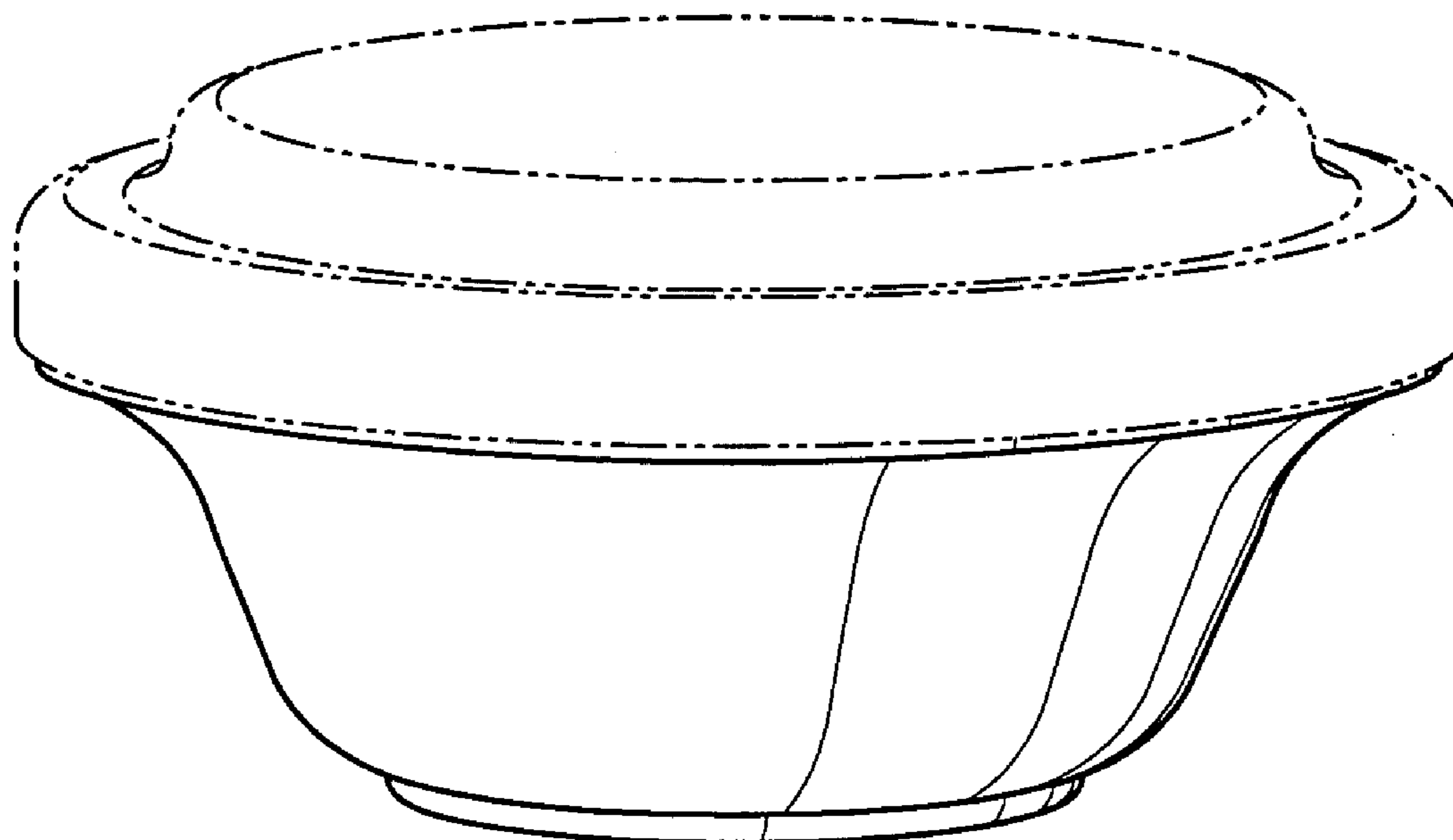
FIG. 1 is a perspective view of a pet container showing our new design;

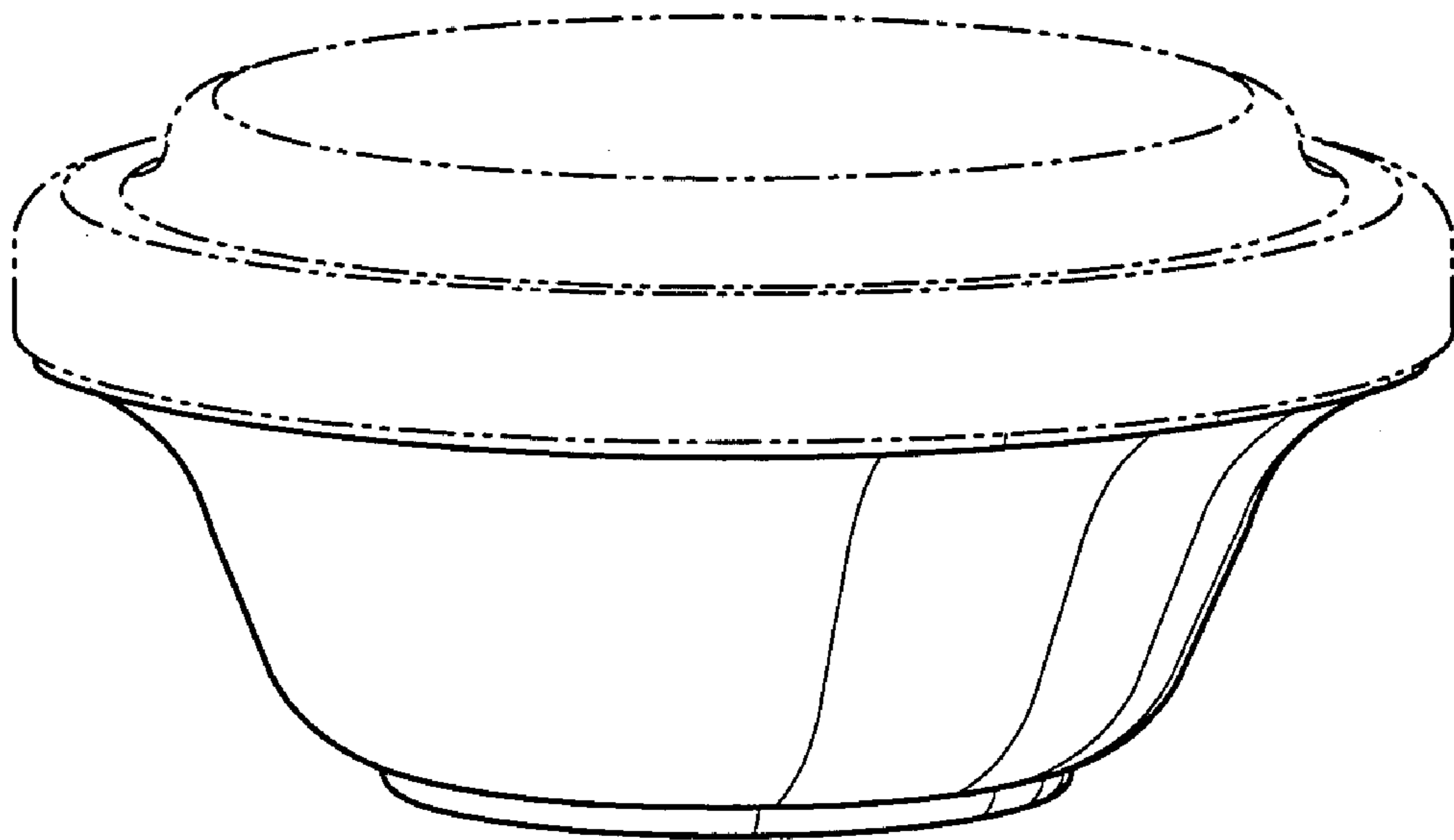
FIG. 2 is a front elevational view, the sides and rear views being mirror images thereof; and,

FIG. 3 is a bottom plan view thereof.

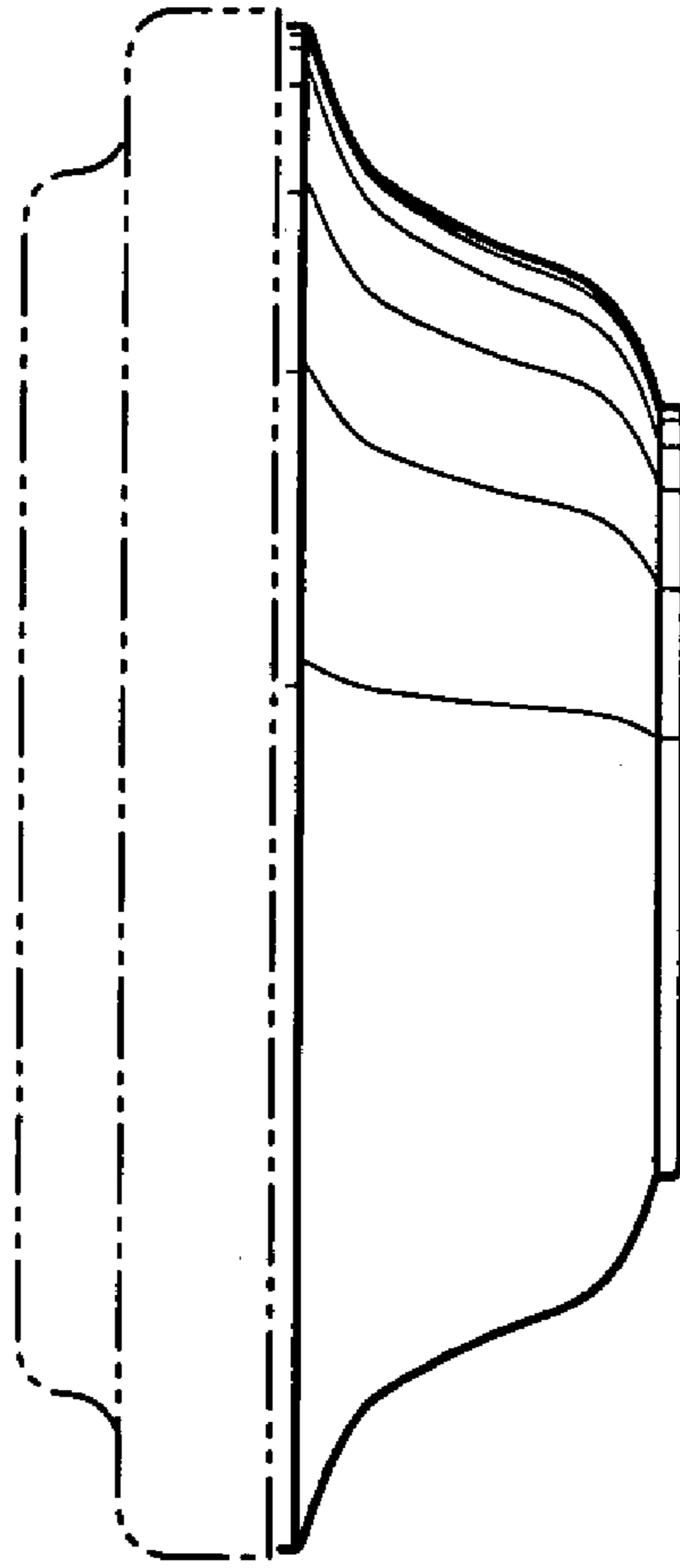
The broken line showing of container lid is included for the purpose of illustrating environmental structure and forms no part of the claimed design.

**1 Claim, 3 Drawing Sheets**

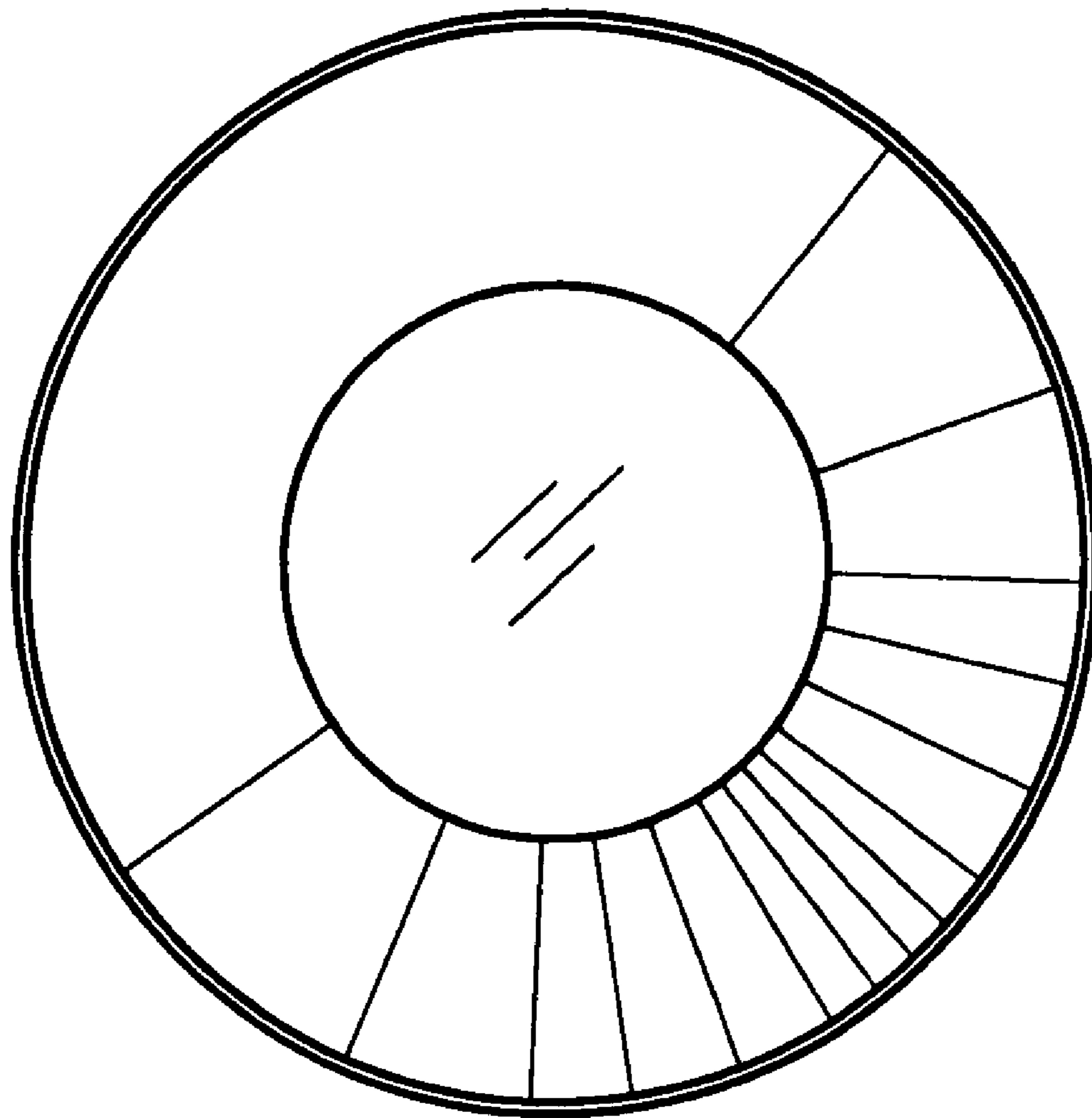




*Fig. 1*



*Fig. 2*



*Fig. 3*