



US00D556567S

(12) **United States Design Patent**
Templeton

(10) **Patent No.:** **US D556,567 S**

(45) **Date of Patent:** **** Dec. 4, 2007**

(54) **CONTAINER**

(75) Inventor: **Garry Templeton**, Suwanee, GA (US)

(73) Assignee: **First Choice Packaging, Inc.**, Fremont, OH (US)

(**) Term: **14 Years**

(21) Appl. No.: **29/257,095**

(22) Filed: **Mar. 29, 2006**

(51) **LOC (8) Cl.** **09-03**

(52) **U.S. Cl.** **D9/425; D9/420; D9/423**

(58) **Field of Classification Search** D9/414-432,
D9/748-762, 449, 456; D7/601-602, 629;
206/484-484.2, 518, 557, 459.1, 524.3, 303,
206/461, 467, 471; 220/287, 556, 241-2,
220/780-1, 350

See application file for complete search history.

(56) **References Cited**

U.S. PATENT DOCUMENTS

3,521,805	A *	7/1970	Ward	206/539
3,596,822	A *	8/1971	Holley	220/4.24
D276,215	S *	11/1984	Wang	D9/415
D277,999	S *	3/1985	Weiner	D6/407
4,848,579	A *	7/1989	Barnes et al.	206/508
4,872,551	A	10/1989	Theros		
D305,408	S	1/1990	LaJoie		
D306,561	S	3/1990	Lee		
D327,844	S	7/1992	Wimbish et al.		
5,129,516	A	7/1992	Theros		
D329,600	S	9/1992	LaJoie		
D338,619	S	8/1993	Mylander et al.		
D342,446	S	12/1993	Parker et al.		
D344,660	S *	3/1994	Krupa	D7/629
5,388,758	A	2/1995	Scovell		
D359,447	S	6/1995	Mylander et al.		
5,429,833	A	7/1995	Wyslotsky		
D361,714	S	8/1995	Krupa		
5,485,919	A	1/1996	Samberg et al.		
5,493,848	A	2/1996	McKibben et al.		
D394,985	S *	6/1998	Curtis et al.	D7/538

D403,582	S *	1/1999	Nask et al.	D9/435
D411,709	S *	6/1999	Curtis et al.	D7/396.1
D423,929	S *	5/2000	Simmers et al.	D9/737
D434,315	S	11/2000	Clarke		
6,170,663	B1	1/2001	Glassman		

(Continued)

Primary Examiner—Louis S. Zarfaz

Assistant Examiner—Susan E Krakower

(74) *Attorney, Agent, or Firm*—Calfee, Halter & Griswold LLP

(57) **CLAIM**

I claim an ornamental design for a container, as shown and described.

DESCRIPTION

FIG. 1 is a perspective view of a container showing a first embodiment with separate lid and base, of the present invention;

FIG. 2 is a side elevational view of the container, the other sides being mirror images;

FIG. 3 is a top plan view of the lid thereof;

FIG. 4 is a bottom plan view of the base thereof;

FIG. 5 is a bottom plan view of the lid thereof;

FIG. 6 is a top plan view of the base thereof;

FIG. 7 is a perspective view showing a second embodiment of the container with an open lid hinged to the base;

FIG. 8 is a top plan view thereof;

FIG. 9 is a bottom plan view thereof;

FIG. 10 is a front elevational view thereof;

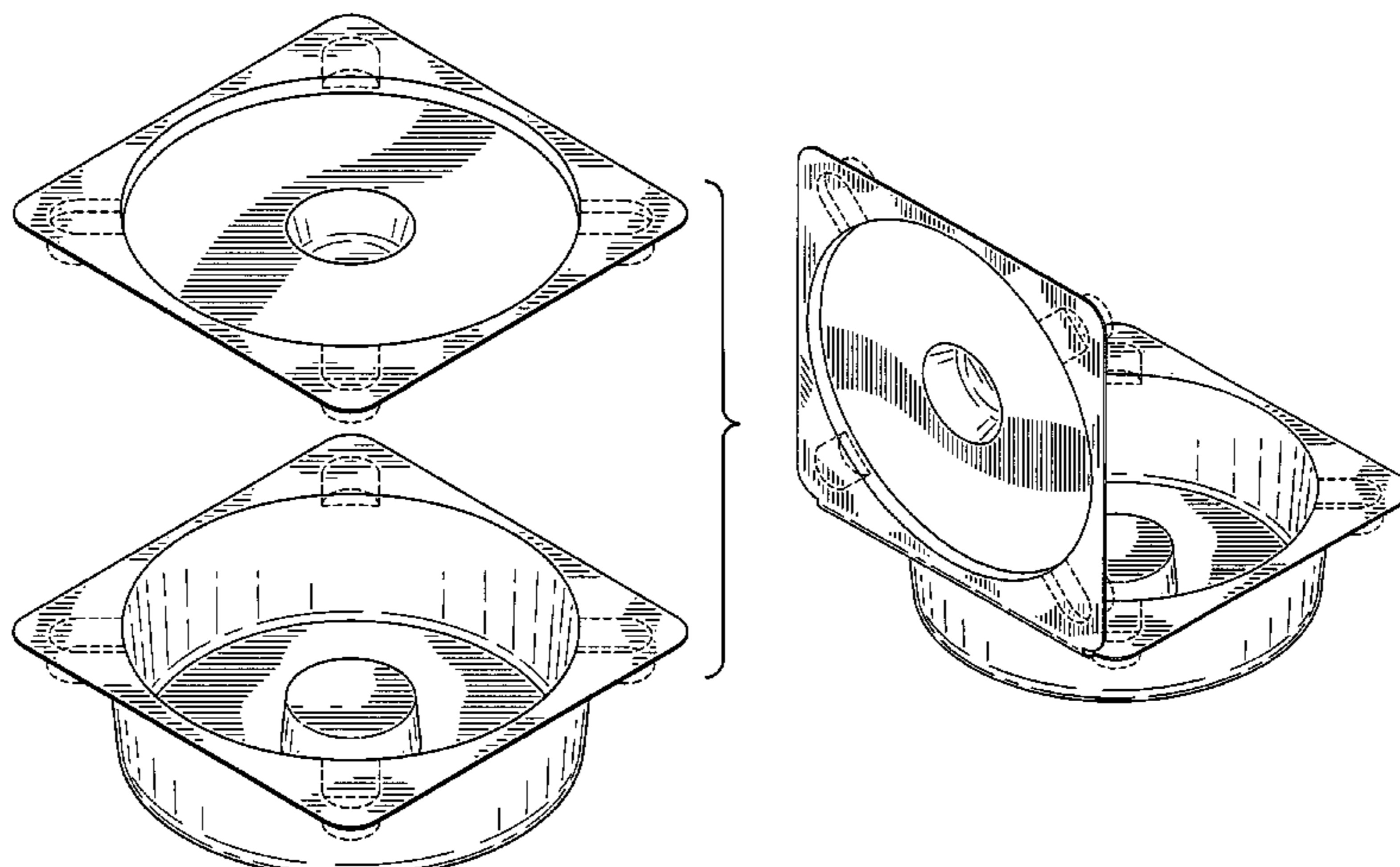
FIG. 11 is a left side elevational view thereof;

FIG. 12 is a rear elevational view thereof; and,

FIG. 13 is a right side elevational view thereof.

The broken line showing of small indentations are included for the purpose of illustrating environment and forms no part of the claimed design.

1 Claim, 8 Drawing Sheets



US D556,567 S

Page 2

U.S. PATENT DOCUMENTS			
D441,286 S	5/2001	Clarke	
6,227,369 B1	5/2001	Glassman	
D445,330 S	7/2001	Clarke, III	
6,330,945 B1	12/2001	Reimer	
6,364,114 B1	4/2002	Glassman	
D463,277 S *	9/2002	Yang	D9/428
			* cited by examiner
D470,767 S	2/2003	Meyer et al.	
D484,043 S	12/2003	Hwang et al.	
D505,619 S	5/2005	Metaxatos	
D506,130 S	6/2005	Metaxatos	
D516,438 S *	3/2006	Zerfas	D9/737
7,198,151 B1 *	4/2007	Fomby	206/403

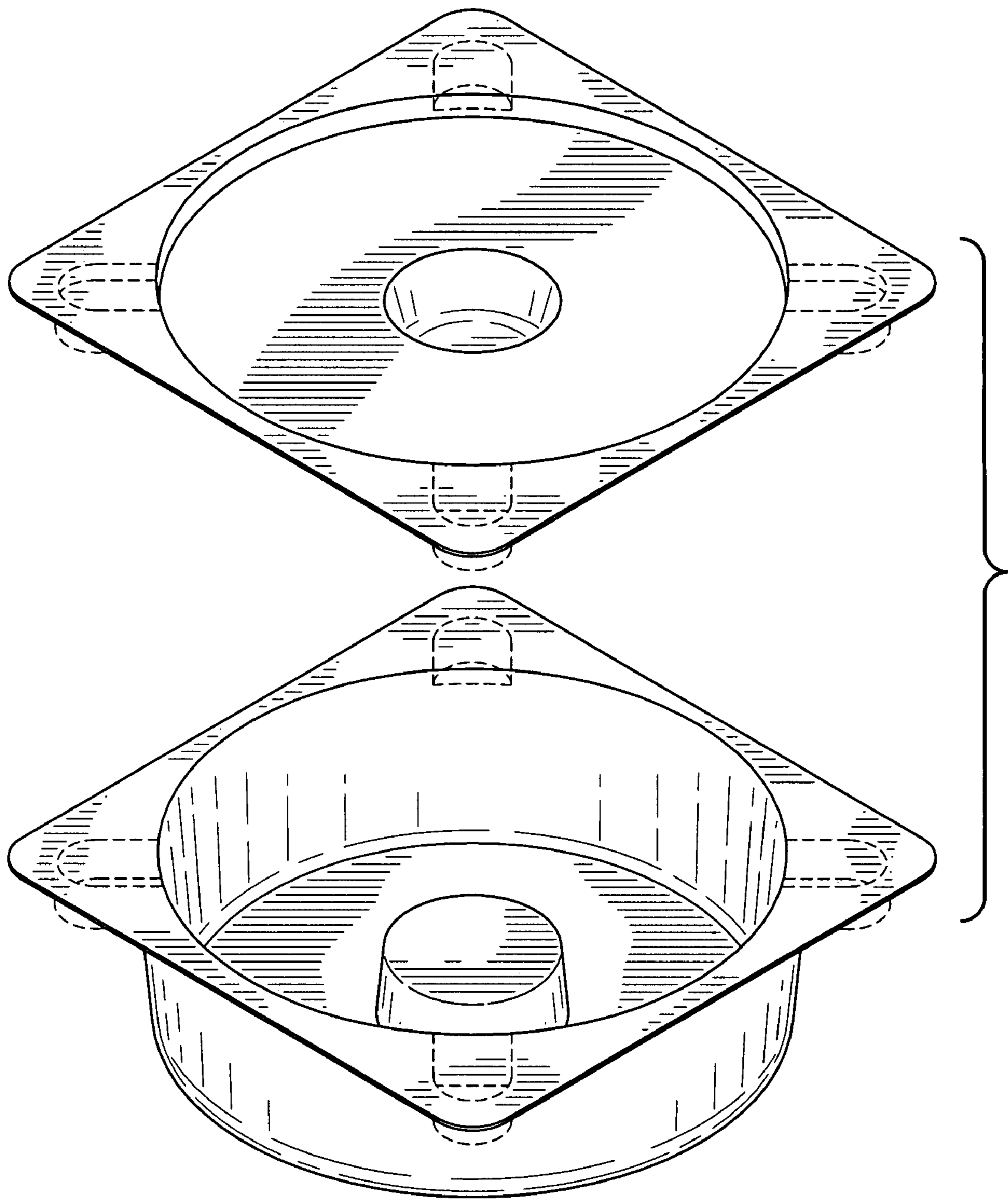


FIG-1

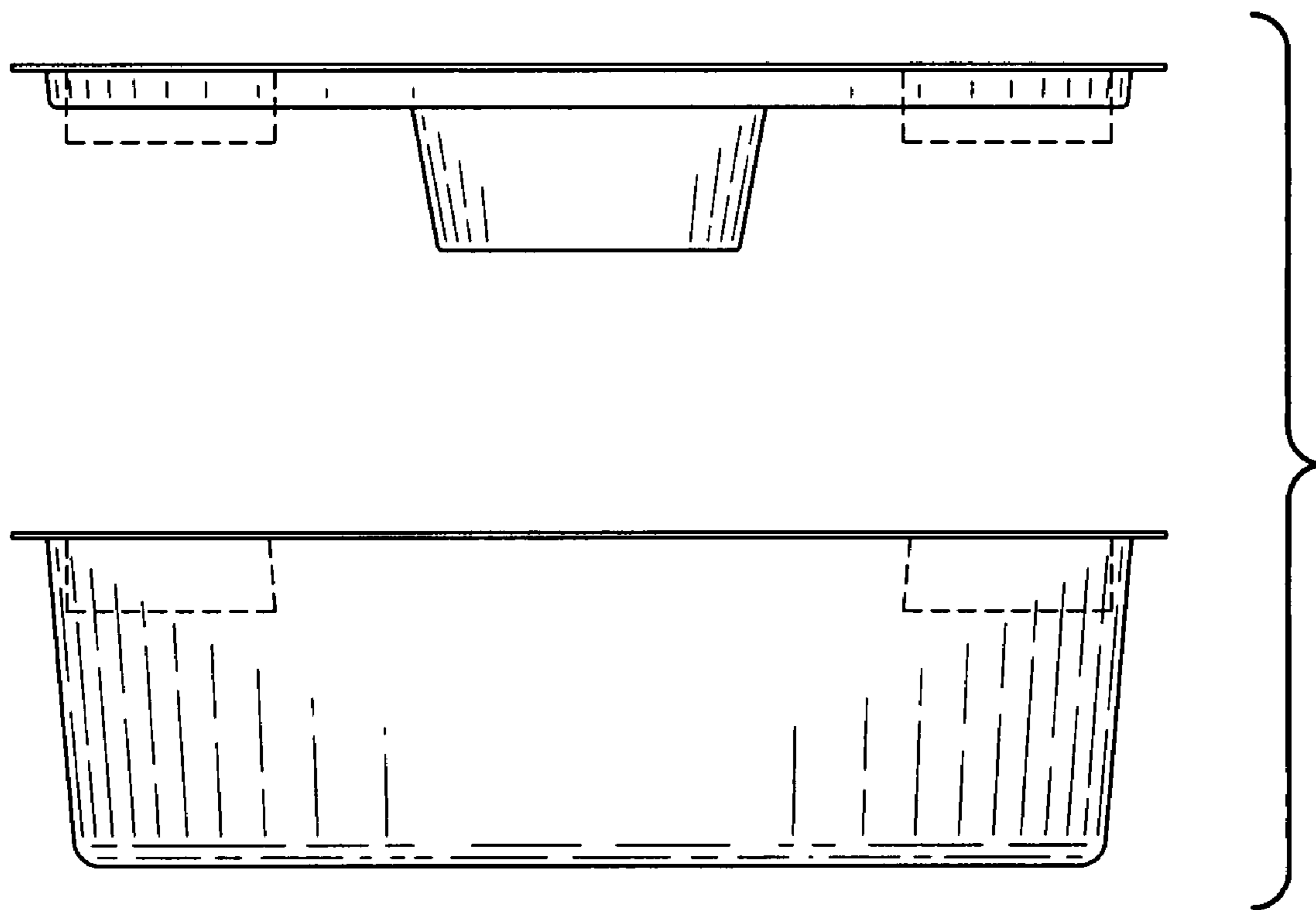


FIG-2

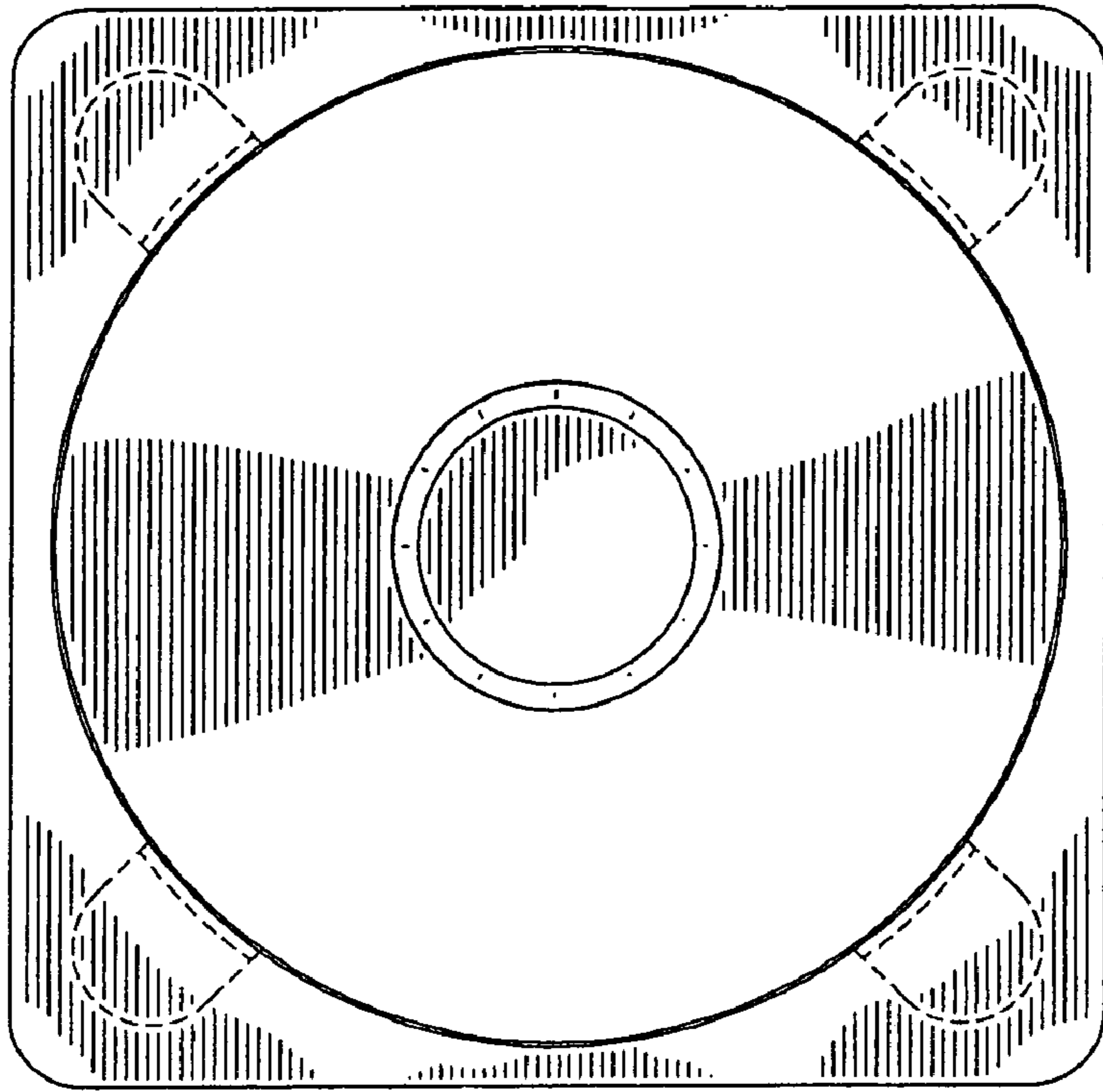


FIG-3

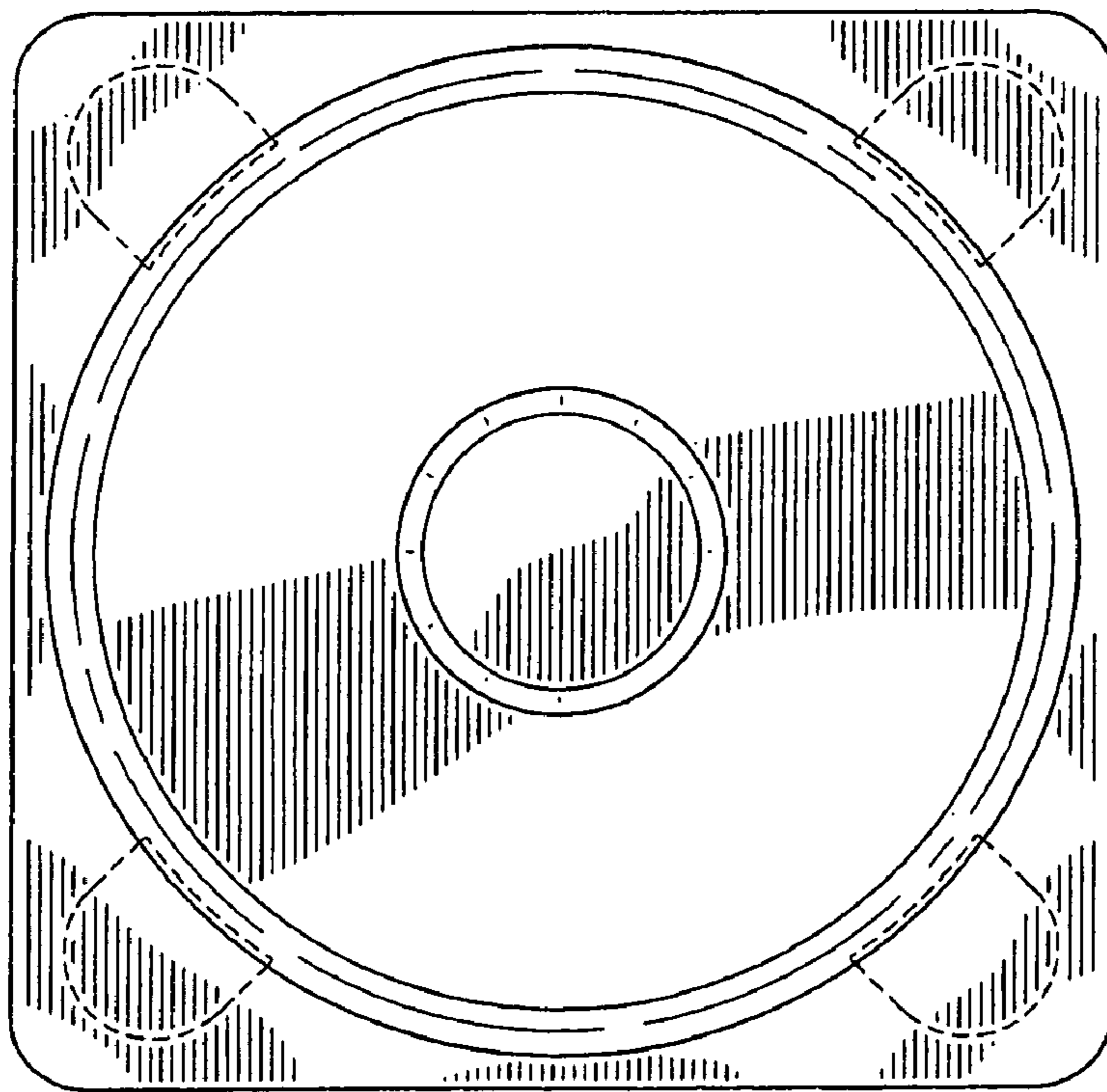


FIG-4

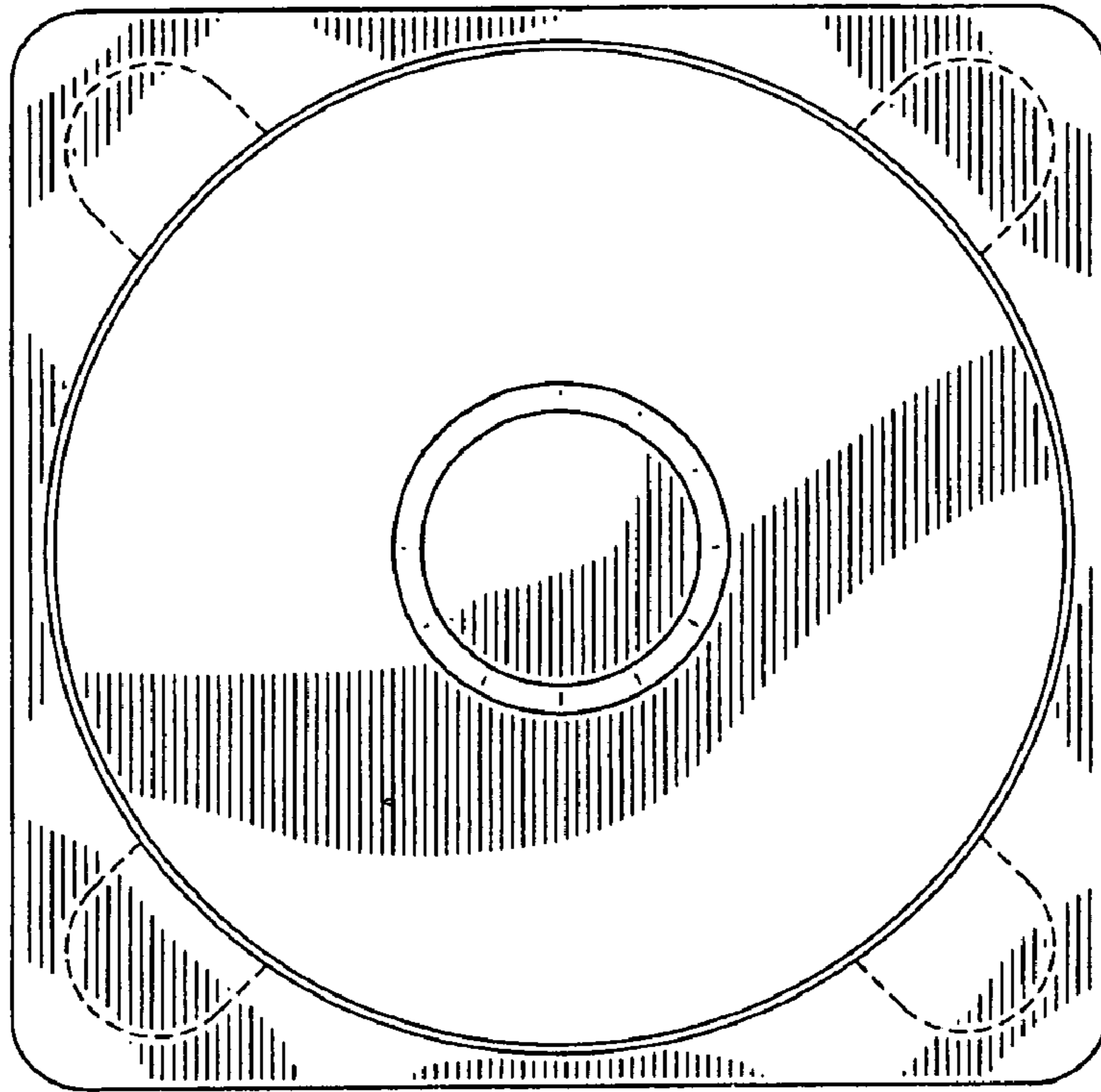


FIG-5

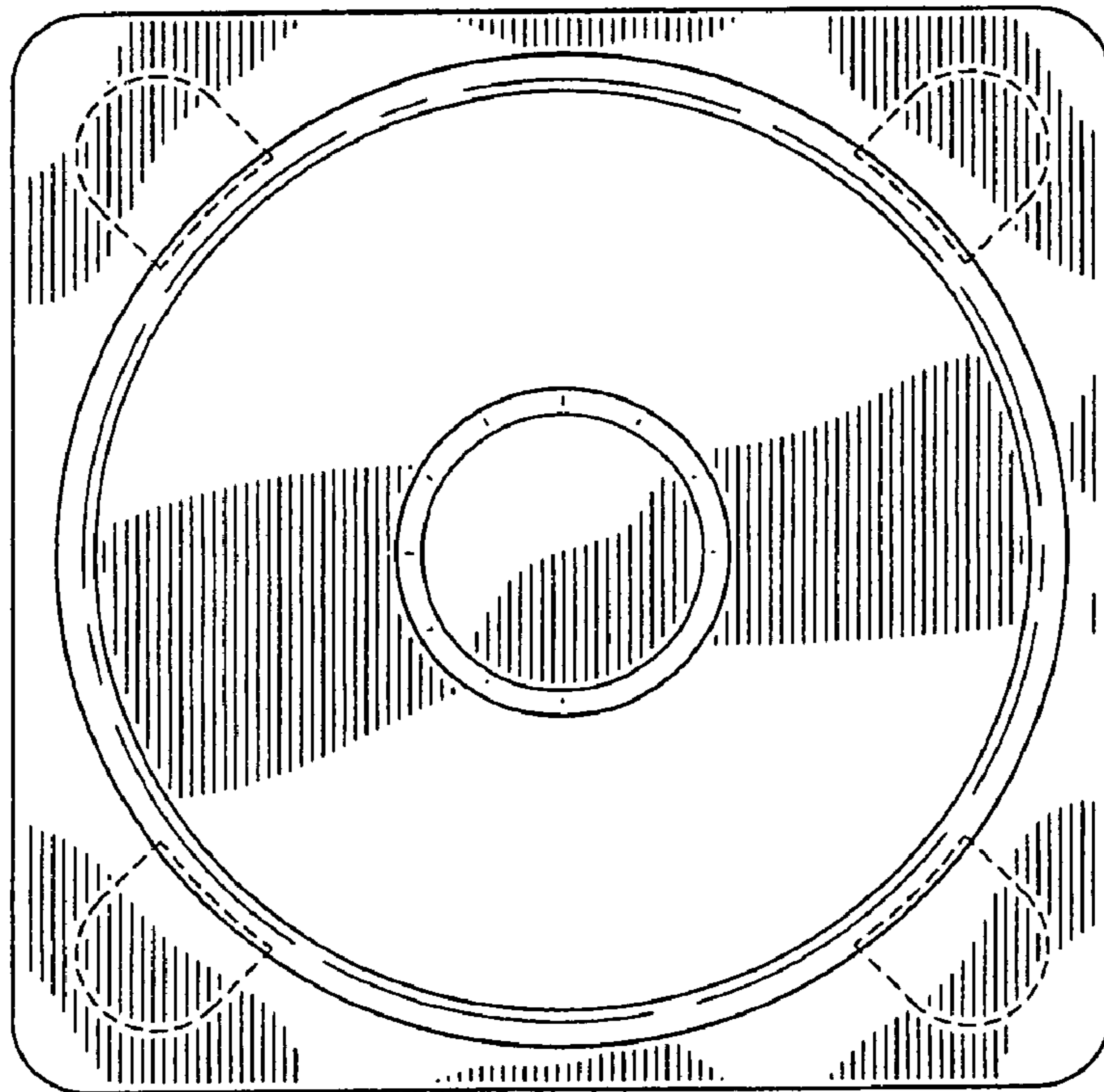


FIG-6

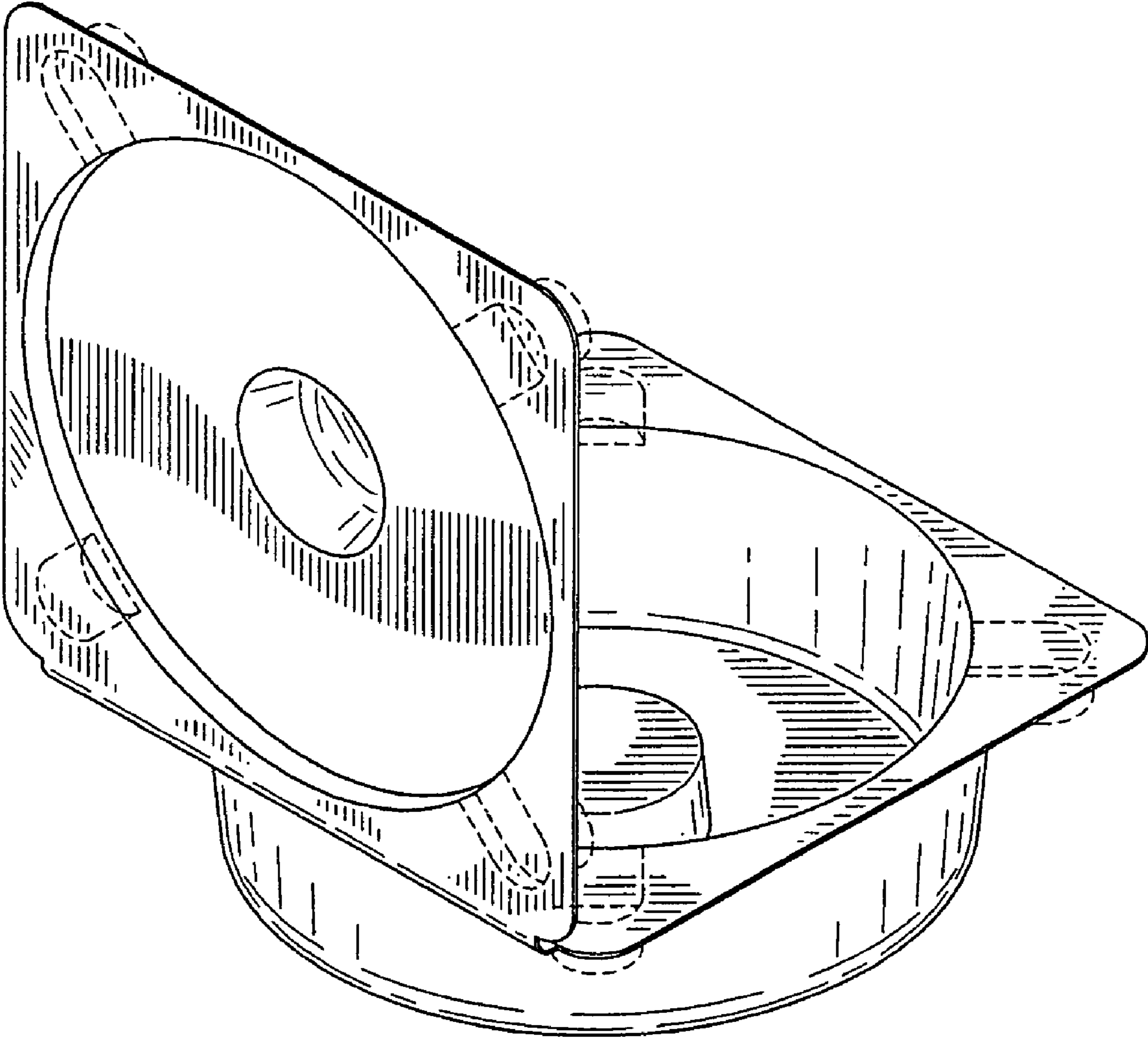


FIG-7

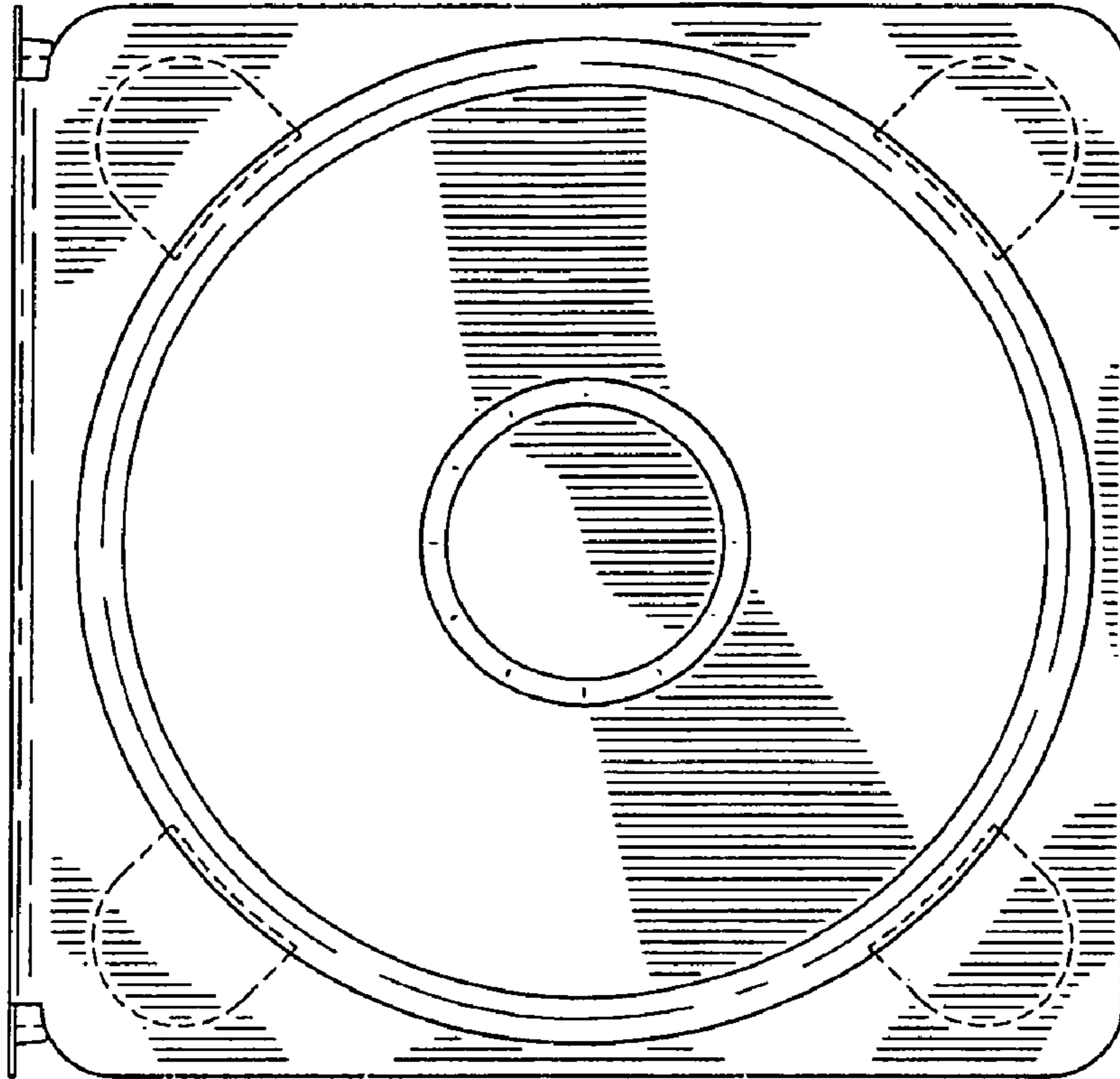


FIG-9

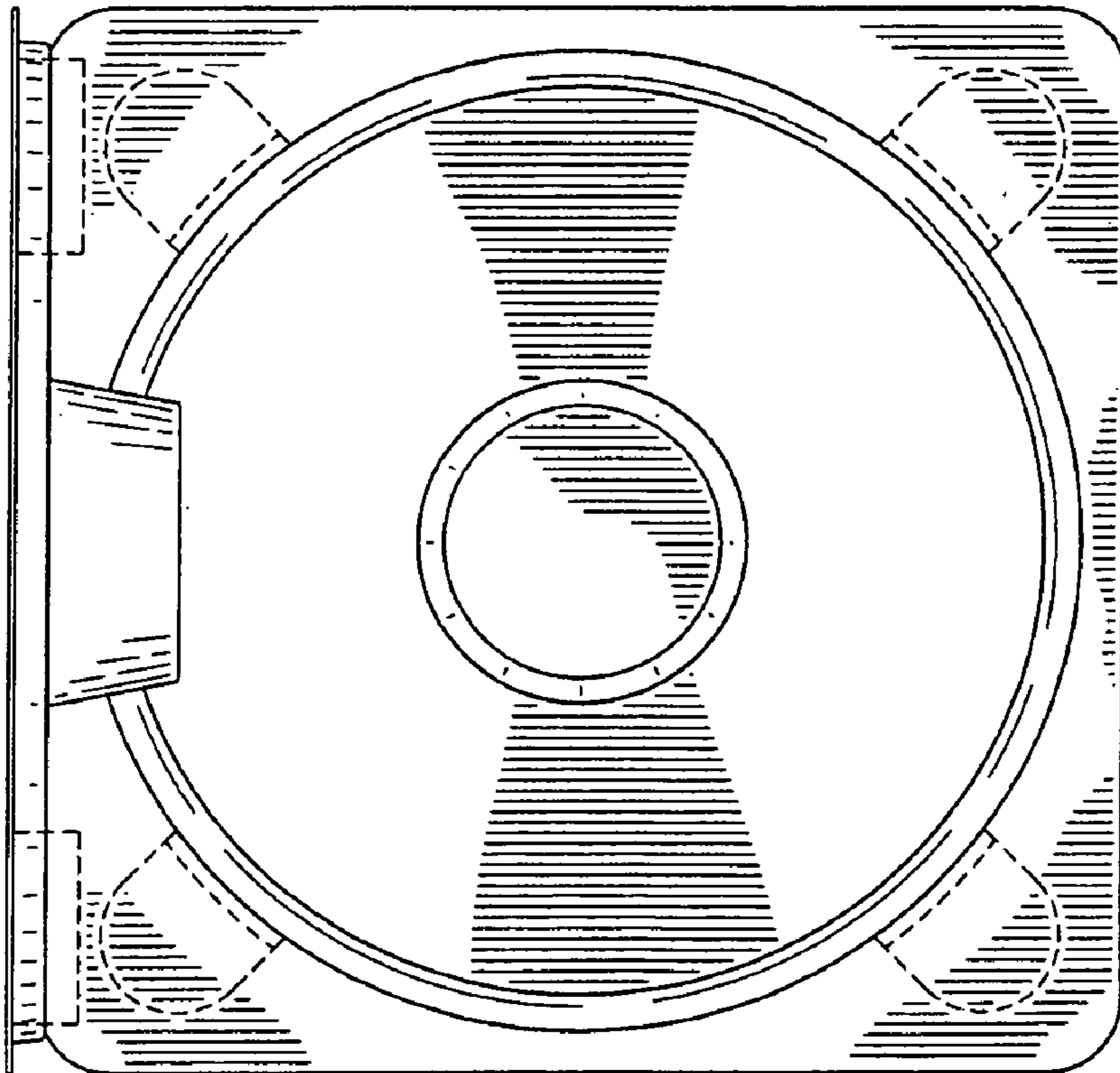


FIG-8

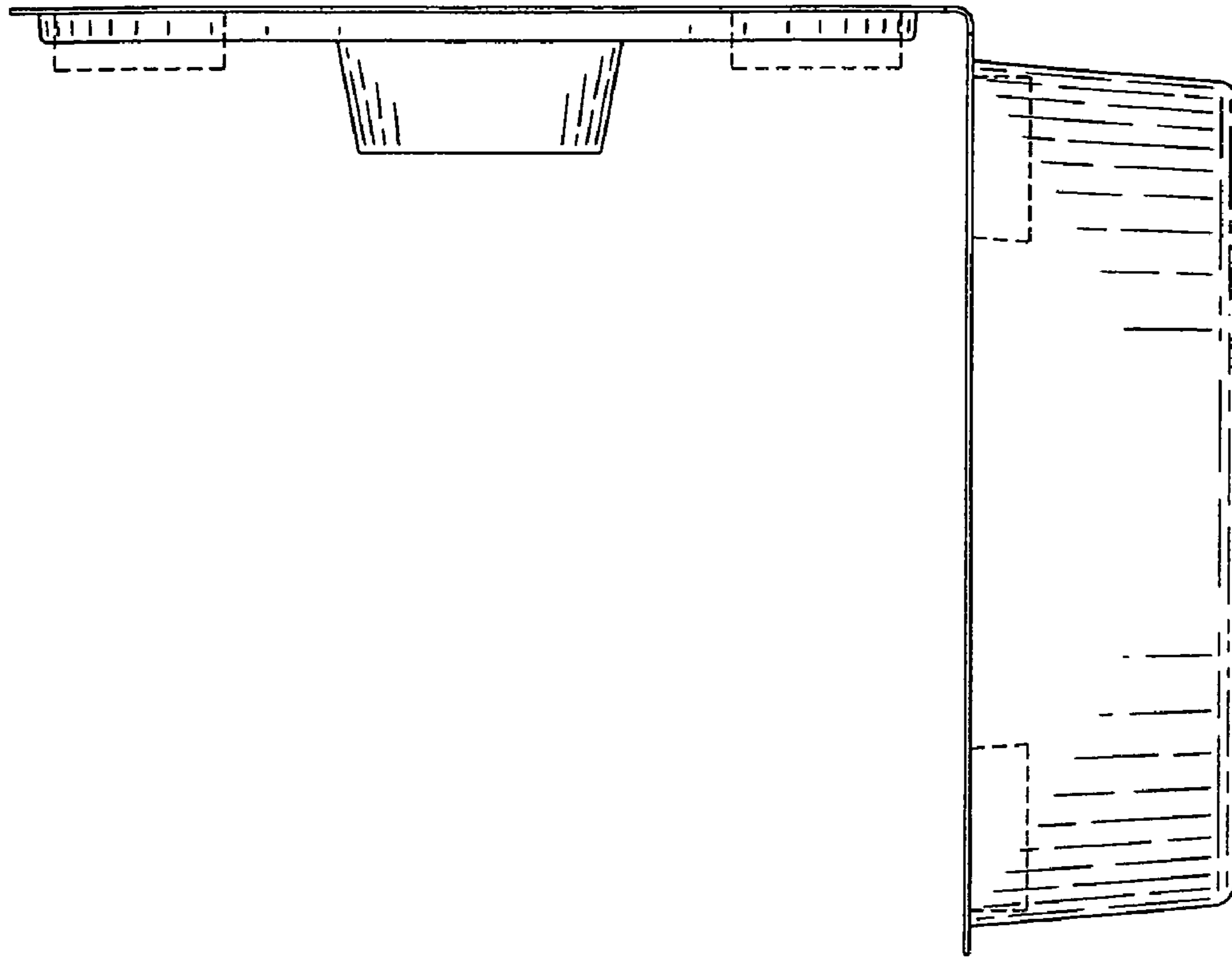


FIG-11

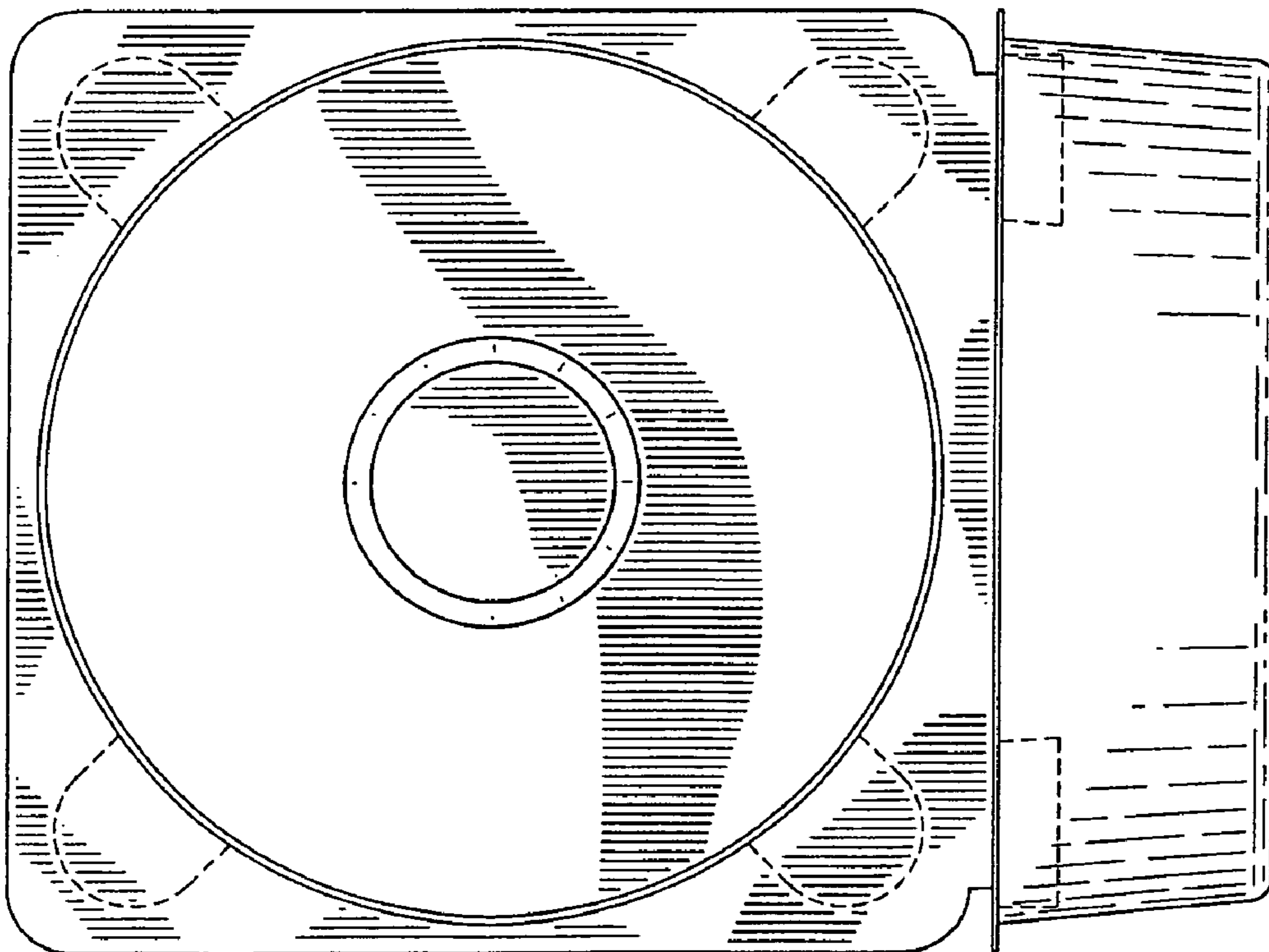


FIG-10

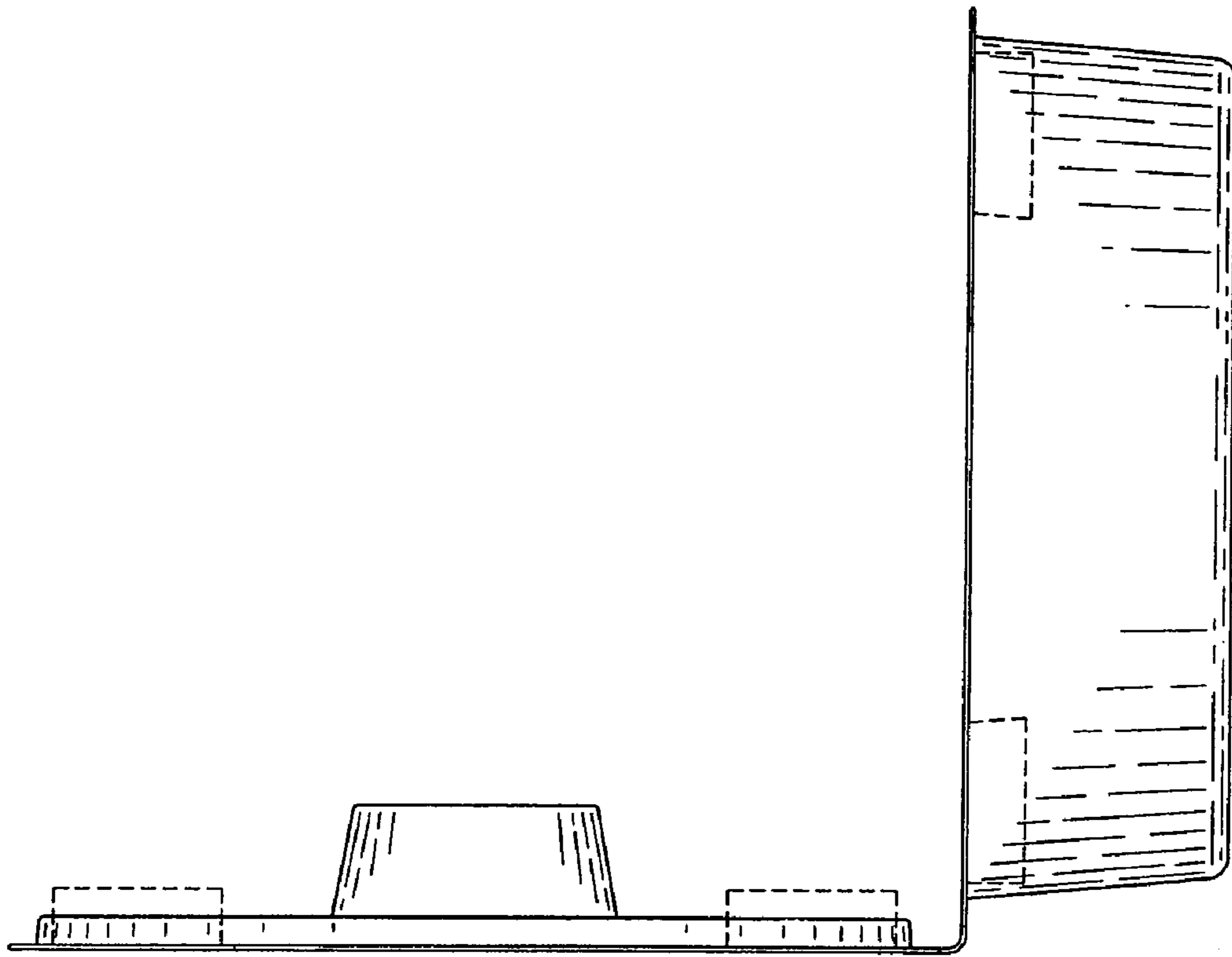


FIG-13

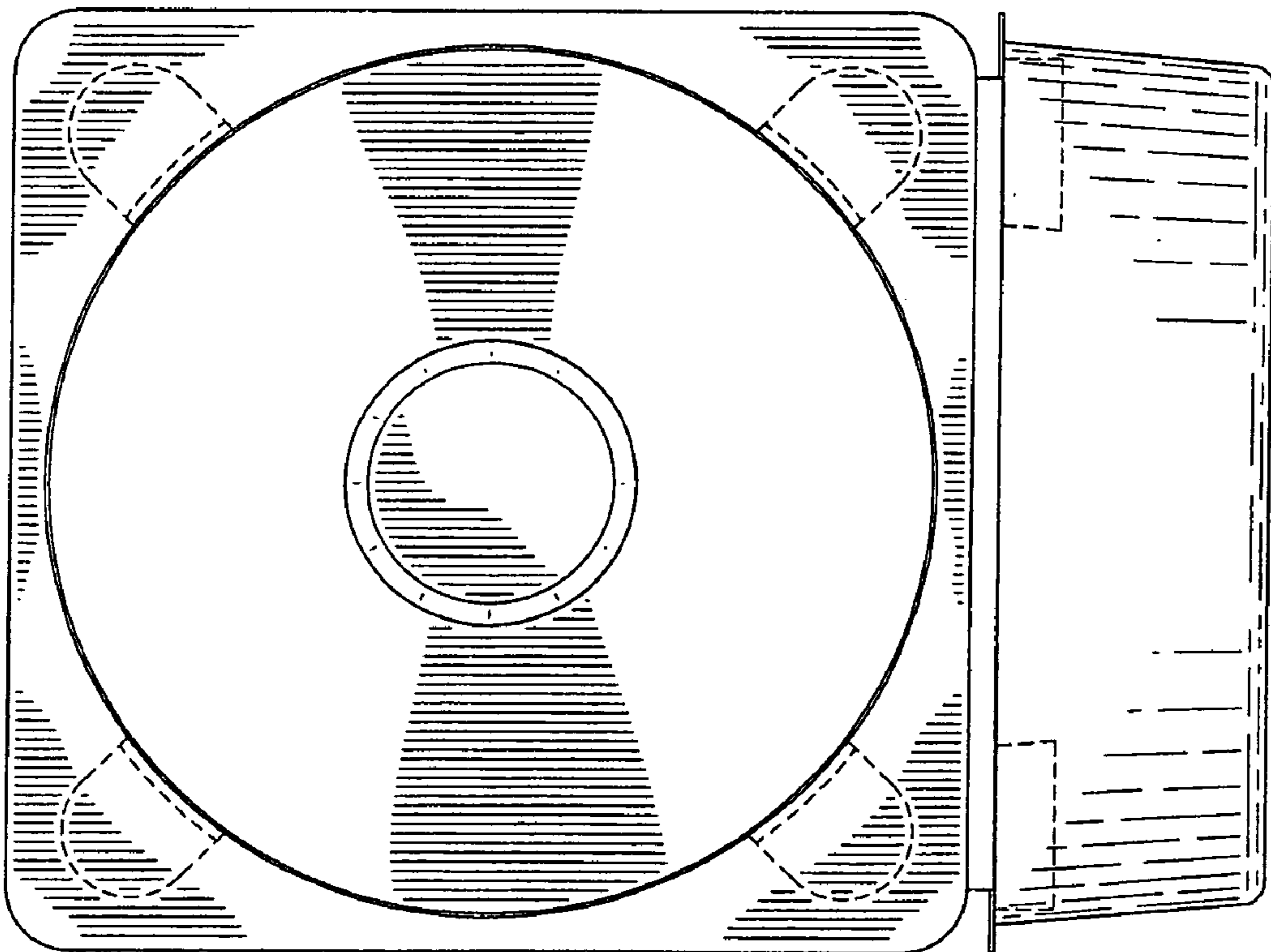


FIG-12