



US00D556566S

(12) **United States Design Patent**
Steele, IV et al.

(10) **Patent No.:** **US D556,566 S**
(45) **Date of Patent:** **** Dec. 4, 2007**

(54) **PACKAGING SYSTEM**

(75) Inventors: **William E. Steele, IV**, Fort Worth, TX (US); **George E. Steele**, Fort Worth, TX (US); **Phillip Douglas Livingston**, Dallas, TX (US)

(73) Assignee: **Remington Health Products, L.L.C.**, Fort Worth, TX (US)

(**) Term: **14 Years**

(21) Appl. No.: **29/265,171**

(22) Filed: **Aug. 25, 2006**

(51) **LOC (8) Cl.** **09-03**

(52) **U.S. Cl.** **D9/418**

(58) **Field of Classification Search** D9/414-433,
D9/457, 701, 341-348, 560, 730-762, 304,
D9/227; 206/461-471, 495, 806; 229/122,
229/125, 11, 131.1

See application file for complete search history.

(56) **References Cited**

U.S. PATENT DOCUMENTS

956,046	A *	4/1910	Davis	229/87.08
D157,468	S *	2/1950	Burger	D9/424
2,767,831	A *	10/1956	Brecht	206/423
3,406,816	A *	10/1968	Green et al.	446/73
D222,438	S *	10/1971	Litton	D9/418
3,616,986	A *	11/1971	Wolfe et al.	206/320
D229,394	S *	11/1973	de Givenchy	D9/739
D242,022	S *	10/1976	Bish	D9/432
4,071,064	A *	1/1978	Saul	220/324
4,109,786	A *	8/1978	Roccaforte et al.	206/783
D259,922	S *	7/1981	Seki	D9/418
4,317,515	A *	3/1982	Feeley et al.	206/315.1
D266,489	S *	10/1982	Toback	D9/455

D274,752	S *	7/1984	Byrne	D24/223
D287,821	S *	1/1987	Holewinski et al.	D9/414
5,100,052	A *	3/1992	Vajtay	229/162.4
5,161,692	A *	11/1992	Knierim	206/586
D367,226	S *	2/1996	Ransbottom	D9/418
D372,423	S *	8/1996	Cook	D9/418
5,816,411	A *	10/1998	Smith	206/782
5,860,526	A *	1/1999	Burke, Jr.	206/446
5,934,551	A *	8/1999	Kaufman	229/162.6
D430,396	S *	9/2000	Biesecker	D3/273
D431,776	S *	10/2000	Oetken et al.	D9/418
D464,883	S *	10/2002	Weinstein et al.	D9/430
D472,808	S *	4/2003	Gelardi et al.	D9/428
D503,884	S *	4/2005	Camilleri-Oller et al.	D9/432
D518,291	S *	4/2006	Zou et al.	D3/255
D519,829	S *	5/2006	Campo	D9/418

* cited by examiner

Primary Examiner—Louis S. Zarfes

Assistant Examiner—Susan E Krakower

(74) *Attorney, Agent, or Firm*—Fulbright & Jaworski LLP

(57) **CLAIM**

The ornamental design for packaging system, as shown and described.

DESCRIPTION

FIG. 1 is a left front perspective view of the packaging system showing our new design;

FIG. 2 is a top plan view thereof;

FIG. 3 is a front elevational view thereof;

FIG. 4 is a back elevational view thereof;

FIG. 5 is a right side elevational view thereof; and,

FIG. 6 is a left side elevational view thereof.

1 Claim, 5 Drawing Sheets

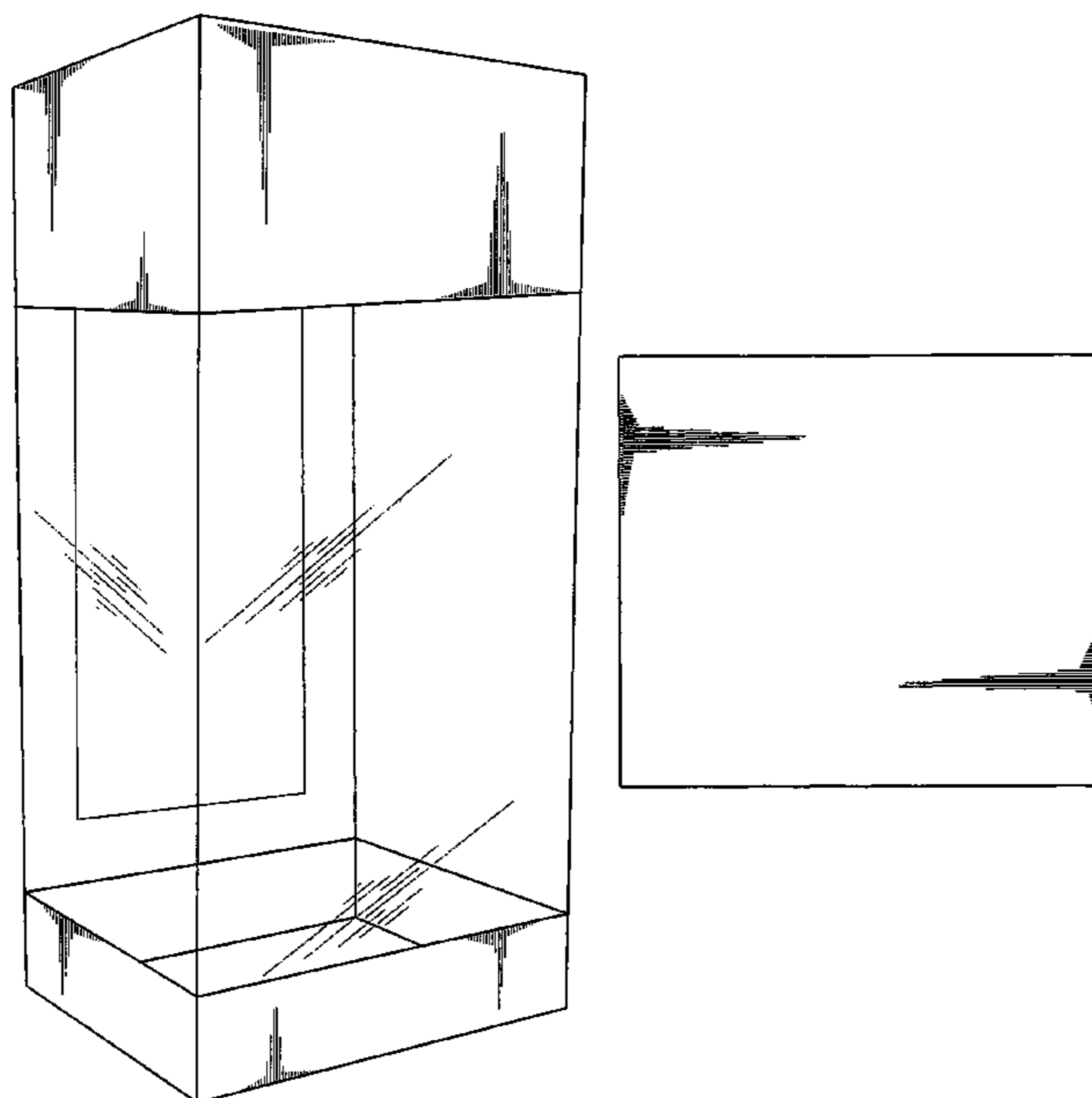


FIG. 1

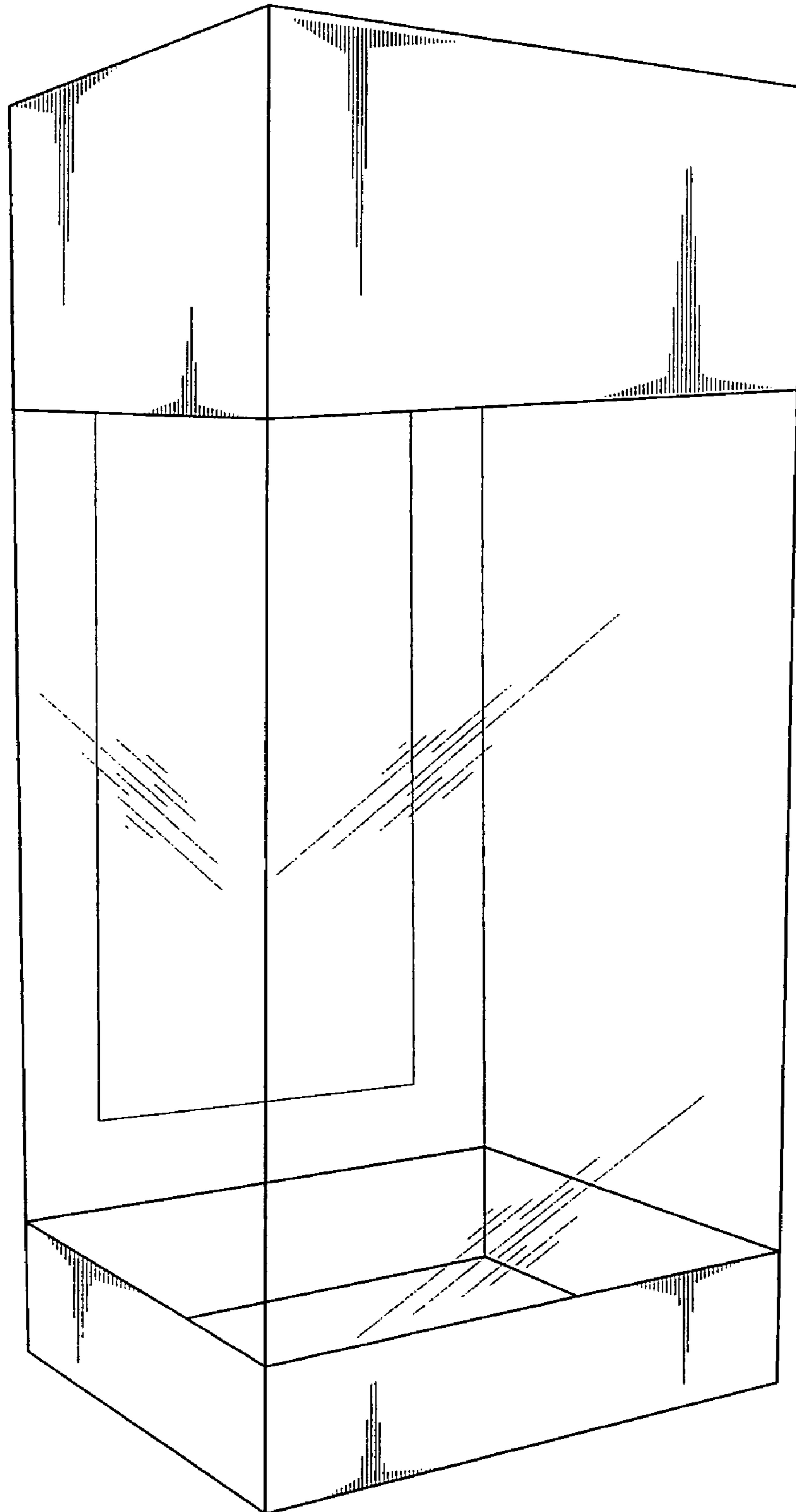


FIG. 2

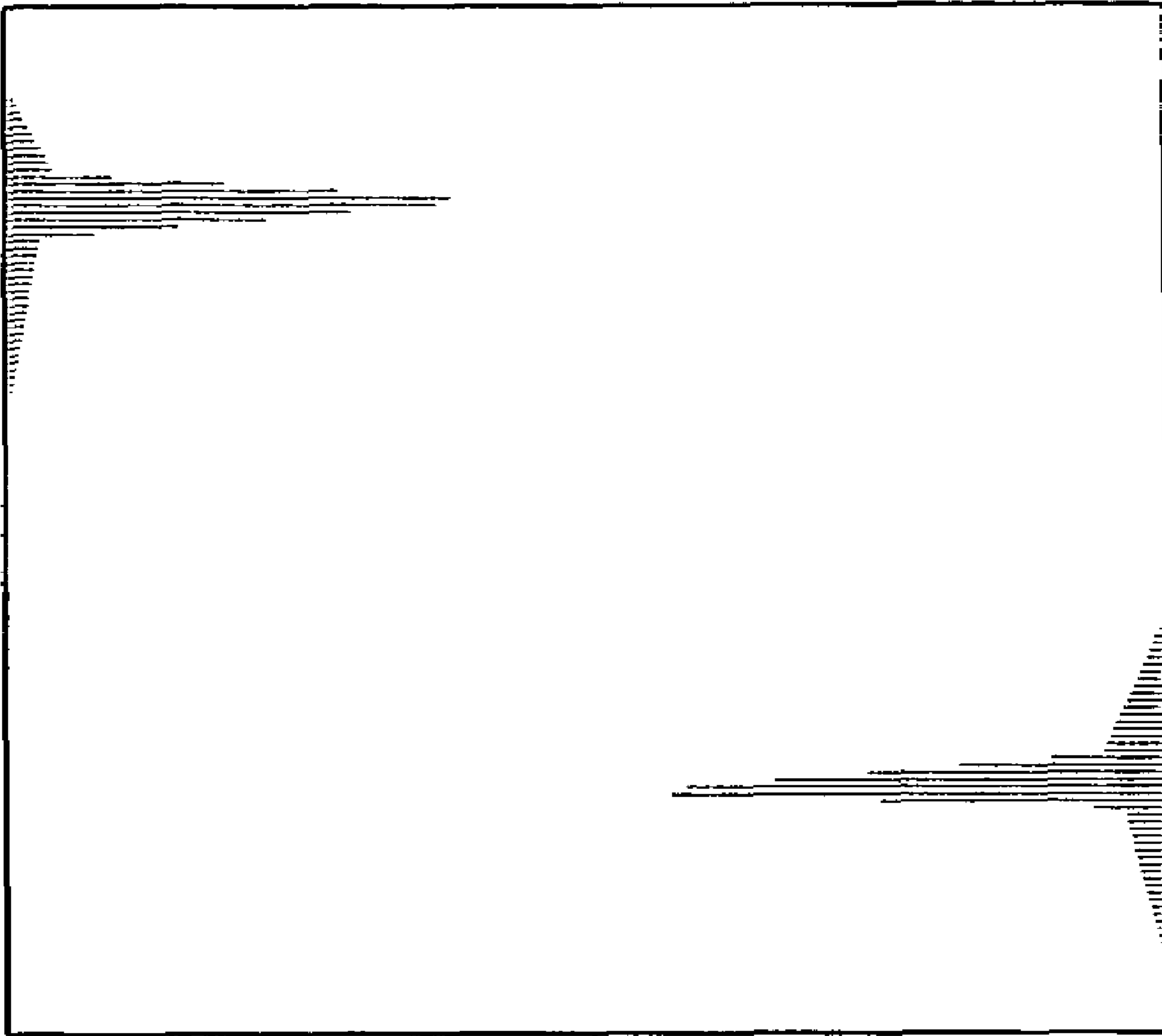


FIG. 3

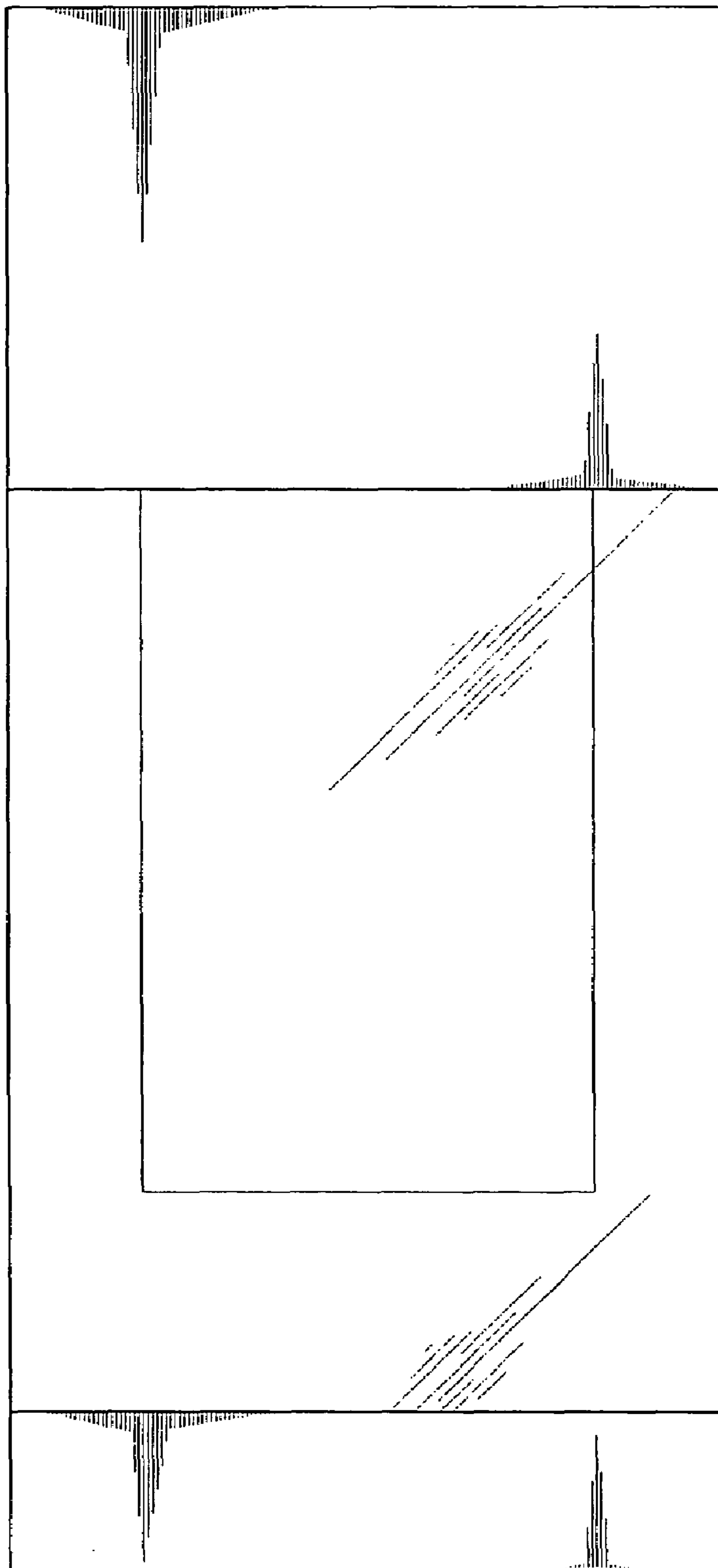


FIG. 4

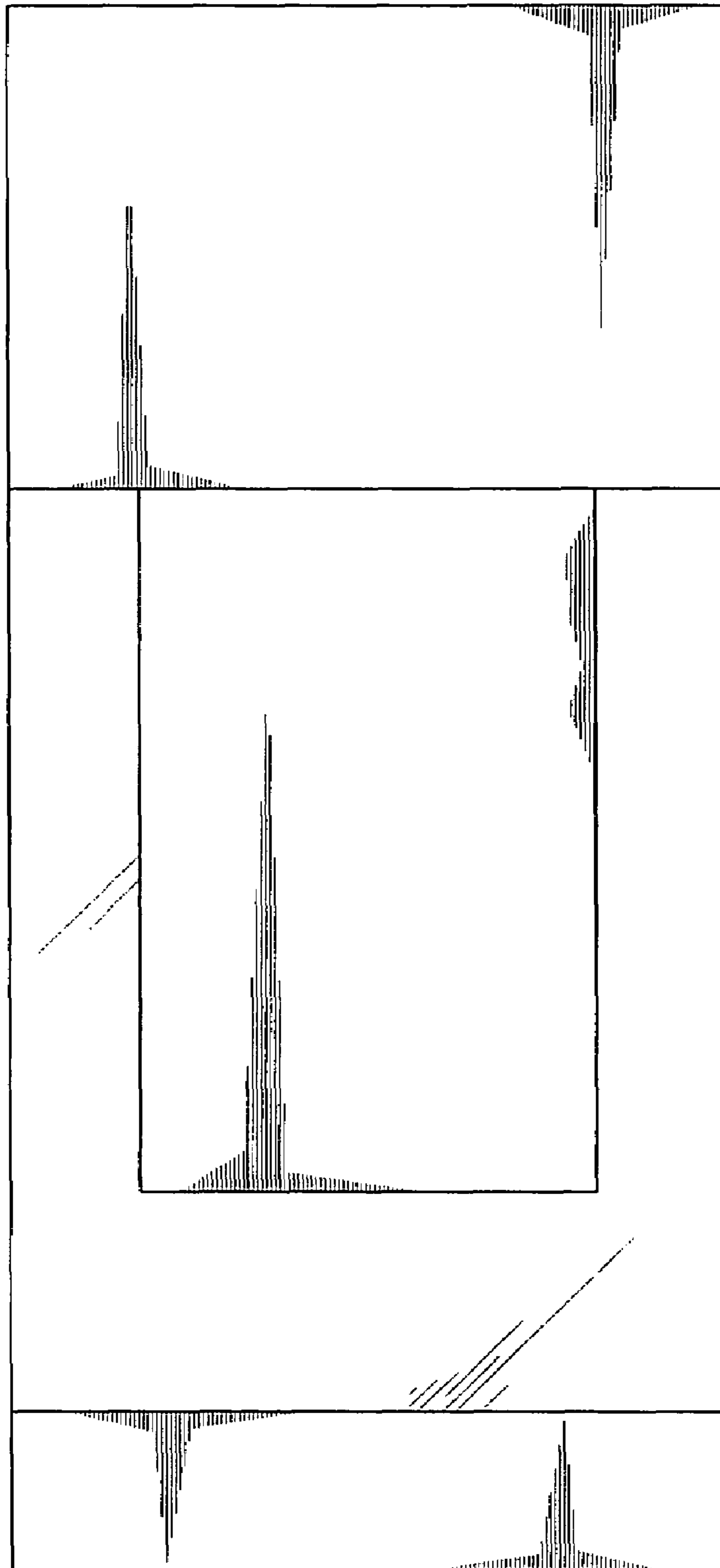


FIG. 5

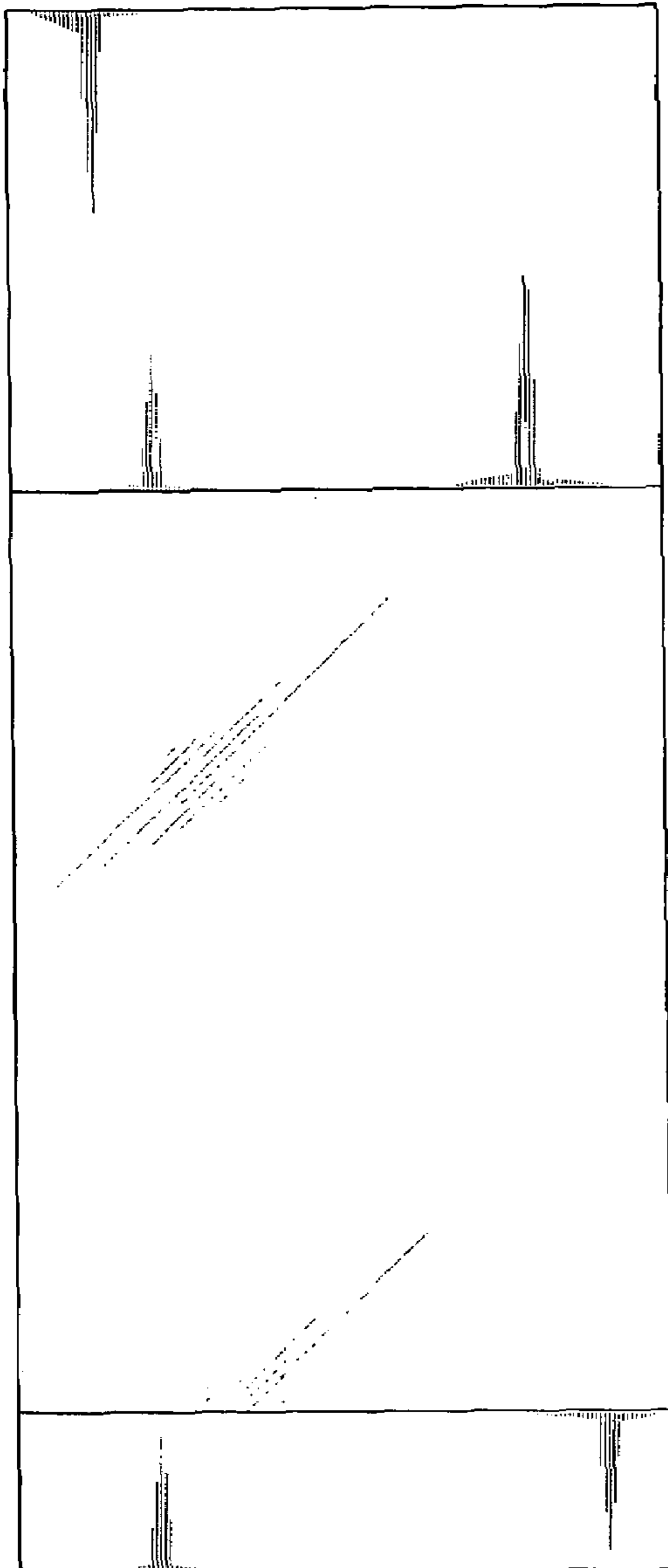


FIG. 6

