



US00D556560S

(12) **United States Design Patent**
Tsuda

(10) **Patent No.:** **US D556,560 S**

(45) **Date of Patent:** **** Dec. 4, 2007**

(54) **FIXTURE FOR INSTALLING A SIDING PANEL**

(75) Inventor: **Norio Tsuda**, Higashiosaka (JP)

(73) Assignee: **Kubota Matsushitadenko Exterior Works, Ltd.**, Osaka (JP)

(**) Term: **14 Years**

(21) Appl. No.: **29/253,279**

(22) Filed: **Feb. 3, 2006**

(30) **Foreign Application Priority Data**

Aug. 4, 2005 (JP) 2005-022740

(51) **LOC (8) Cl.** **08-08**

(52) **U.S. Cl.** **D8/382**

(58) **Field of Classification Search** D8/382;
248/201, 300; D6/300; D25/120-122
See application file for complete search history.

(56) **References Cited**

U.S. PATENT DOCUMENTS

- 4,467,486 A * 8/1984 Schatz 5/658
- D285,047 S * 8/1986 Dean et al. D8/382
- D359,442 S * 6/1995 Johansson D8/382
- D359,443 S * 6/1995 Johansson D8/382
- D359,444 S * 6/1995 Johansson D8/382

OTHER PUBLICATIONS

U.S. Appl. No. 29/243,709 to TSUDA, filed Nov. 30, 2005.

* cited by examiner

Primary Examiner—Holly H. Baynham

Assistant Examiner—Sheryl Friedman

(74) *Attorney, Agent, or Firm*—Greenblum & Bernstein, P.L.C.

(57) **CLAIM**

The ornamental design for fixture for installing a siding panel, as shown and described.

DESCRIPTION

FIG. 1 is a perspective view of the fixture;

FIG. 2 is a front view of the fixture;

FIG. 3 is a top view of the fixture;

FIG. 4 is a bottom plan view of the fixture;

FIG. 5 is a rear view of the fixture;

FIG. 6 is a right-hand side view of the fixture;

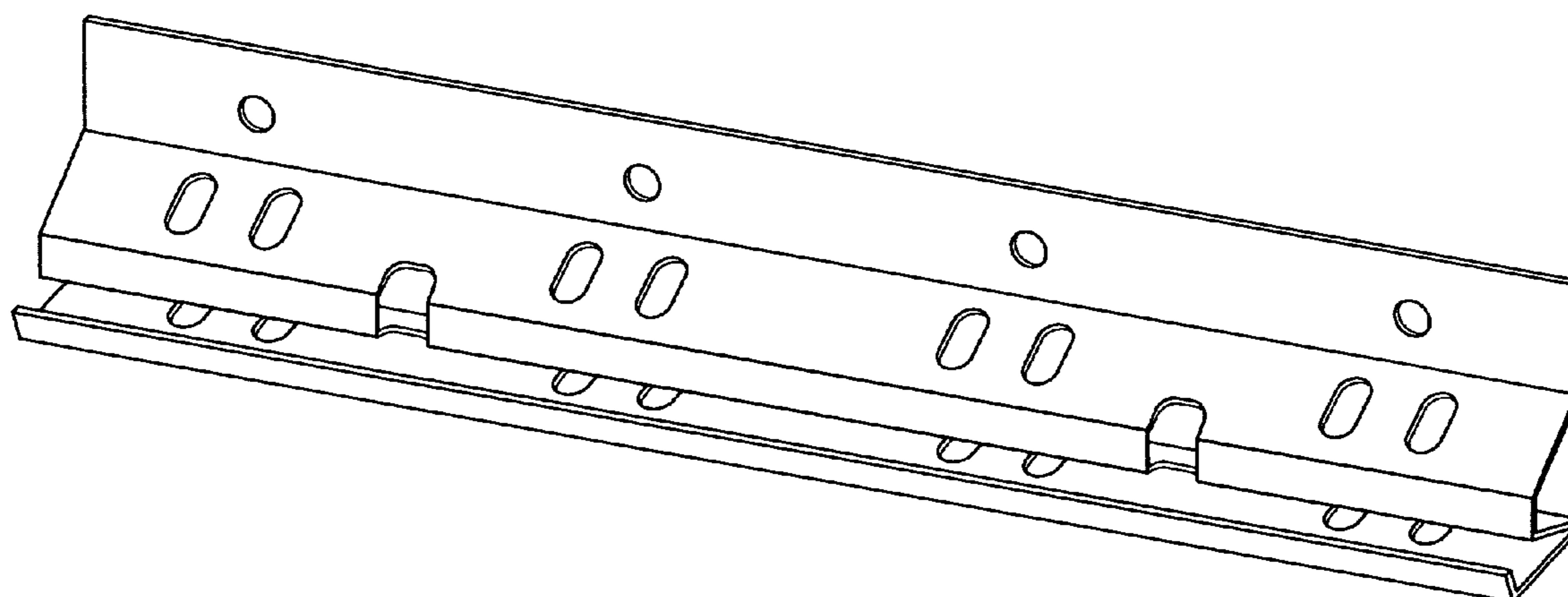
FIG. 7 is an enlarged cross-section taken along line 7—7 of FIG. 2;

FIG. 8 is an enlarged cross-section taken along line 8—8 of FIG. 2; and,

FIG. 9 is an explanatory view illustrating the use of the fixture.

The left-hand side view is symmetrical with the right-hand side view and is therefore omitted.

1 Claim, 4 Drawing Sheets



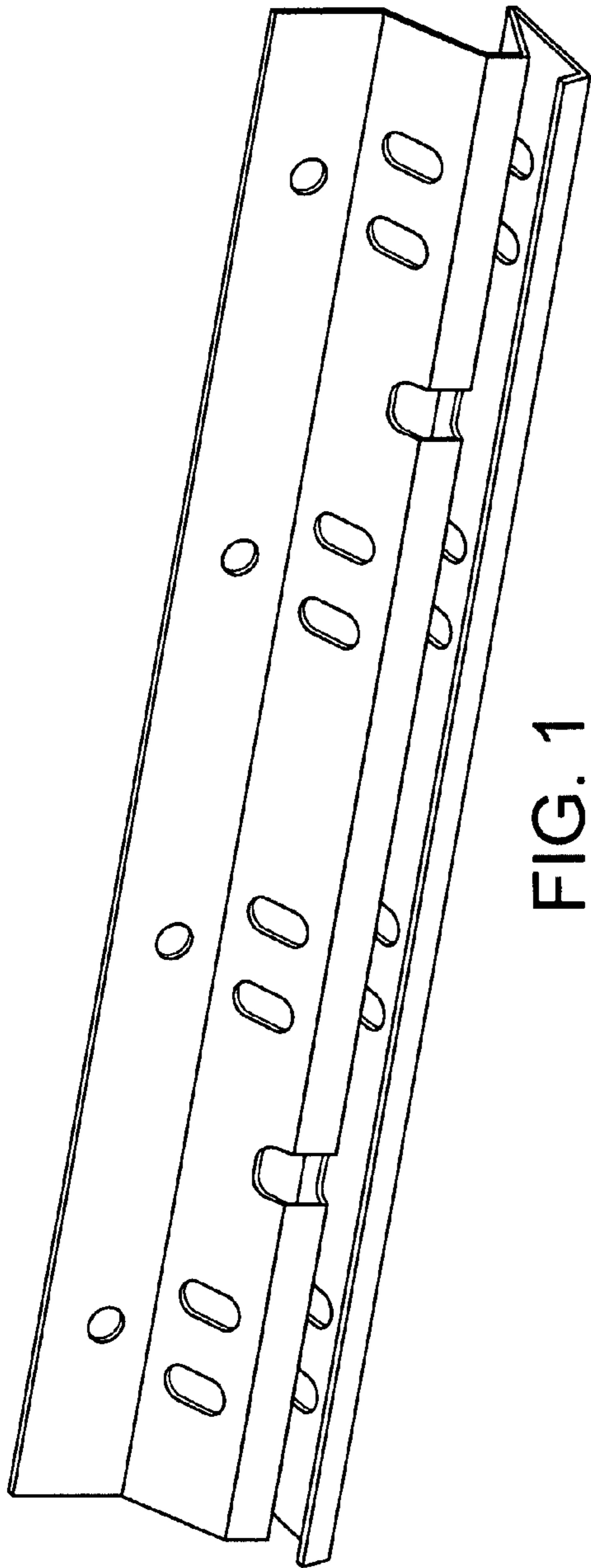


FIG. 1

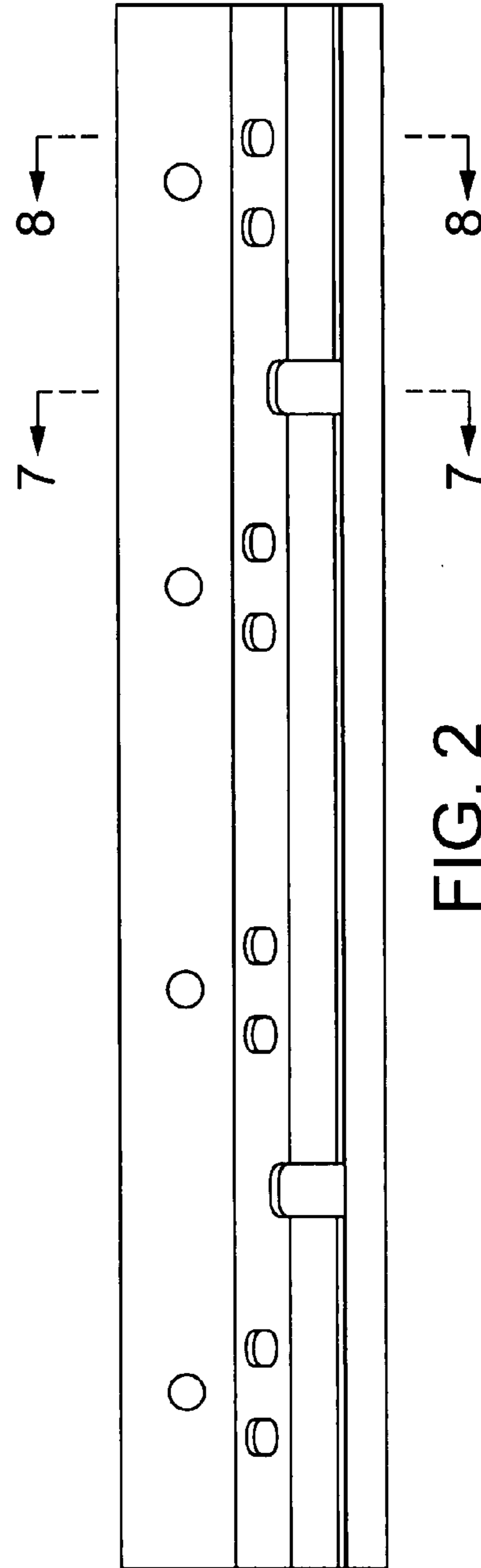


FIG. 2

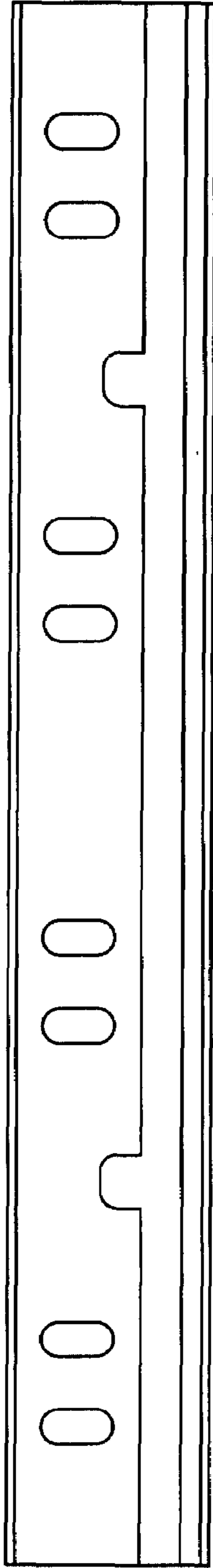


FIG. 3

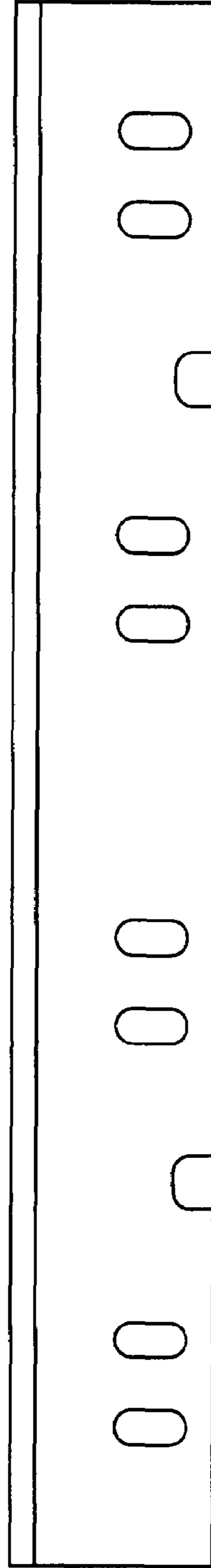


FIG. 4

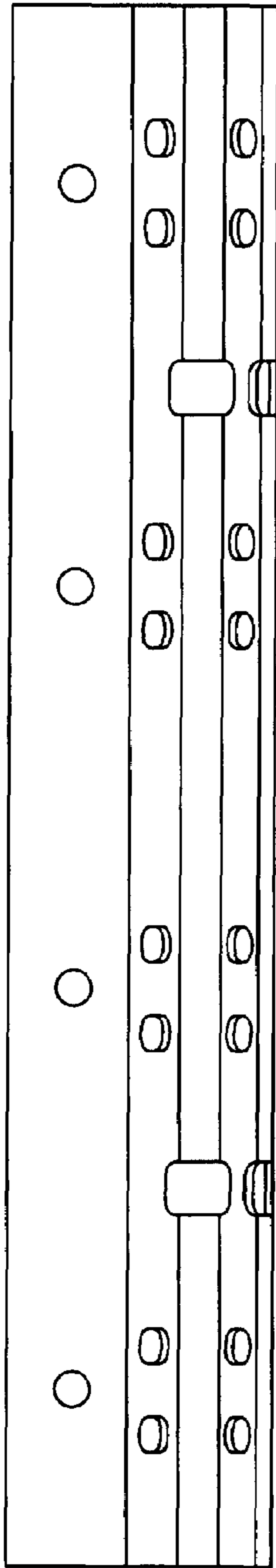


FIG. 5

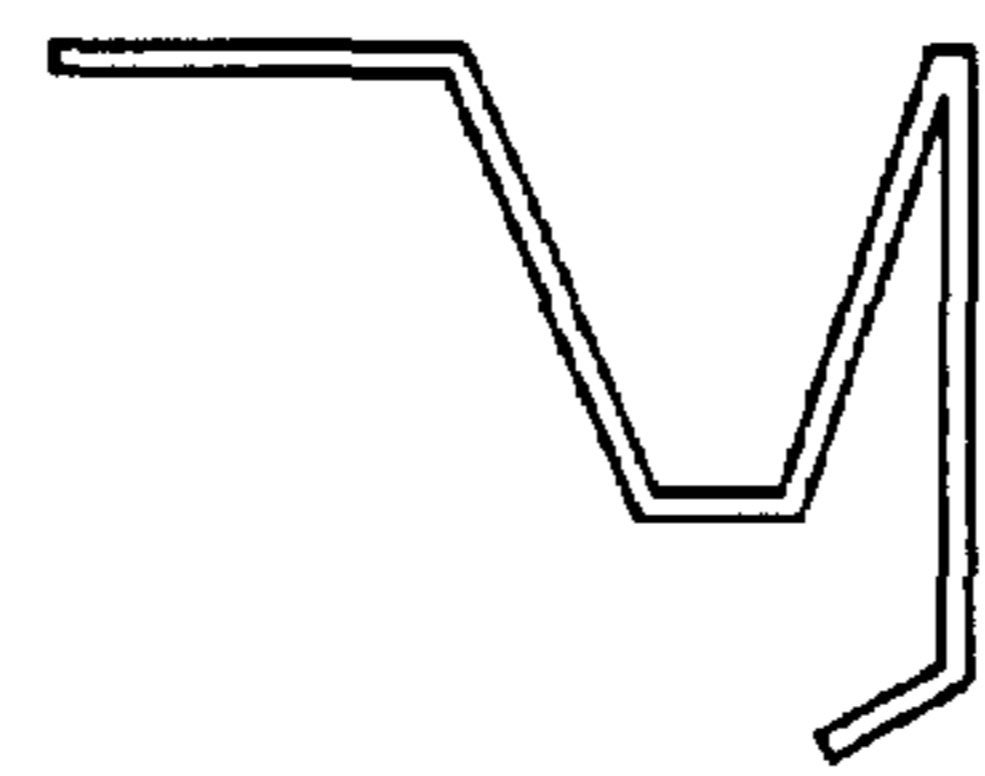


FIG. 6

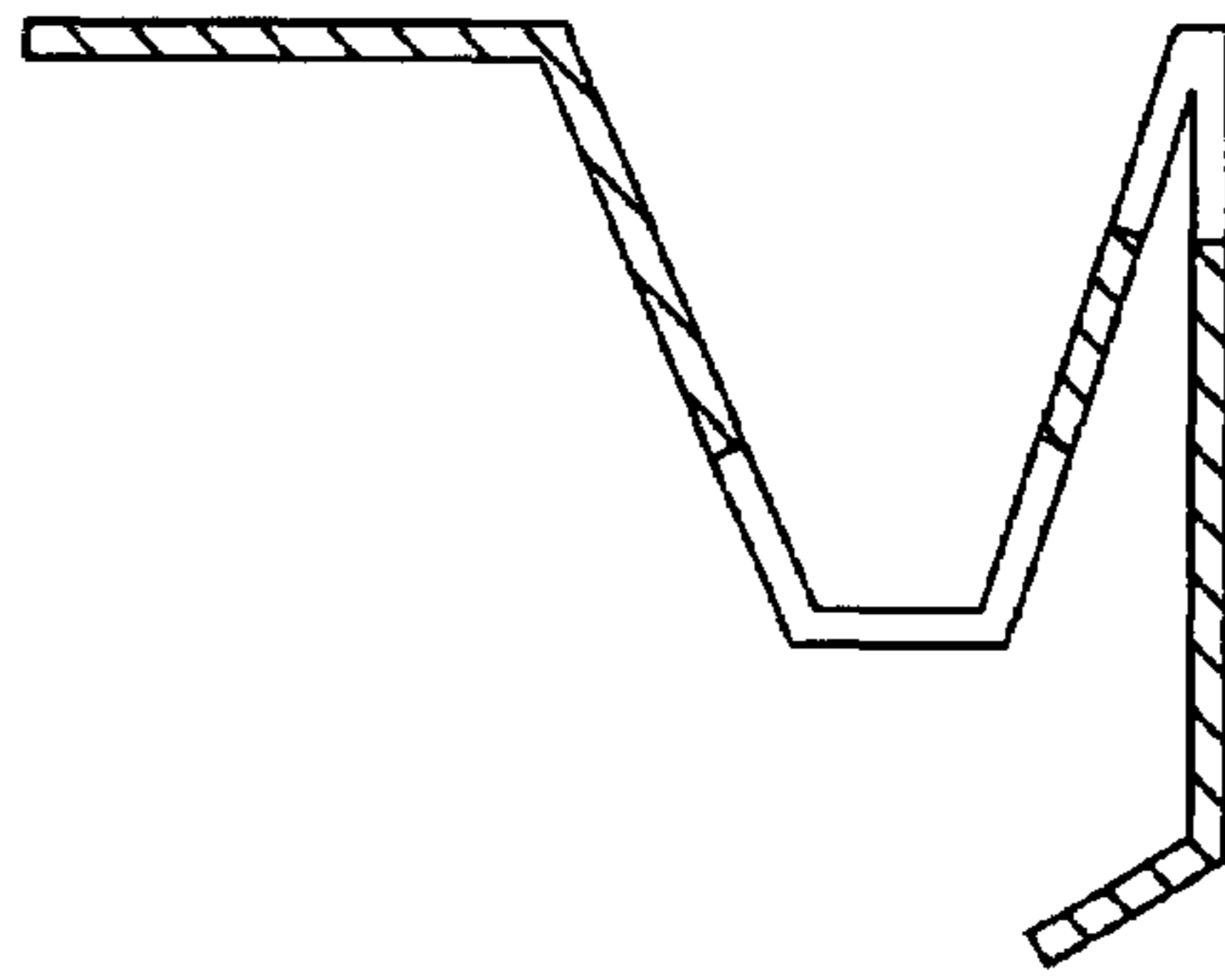


FIG. 7

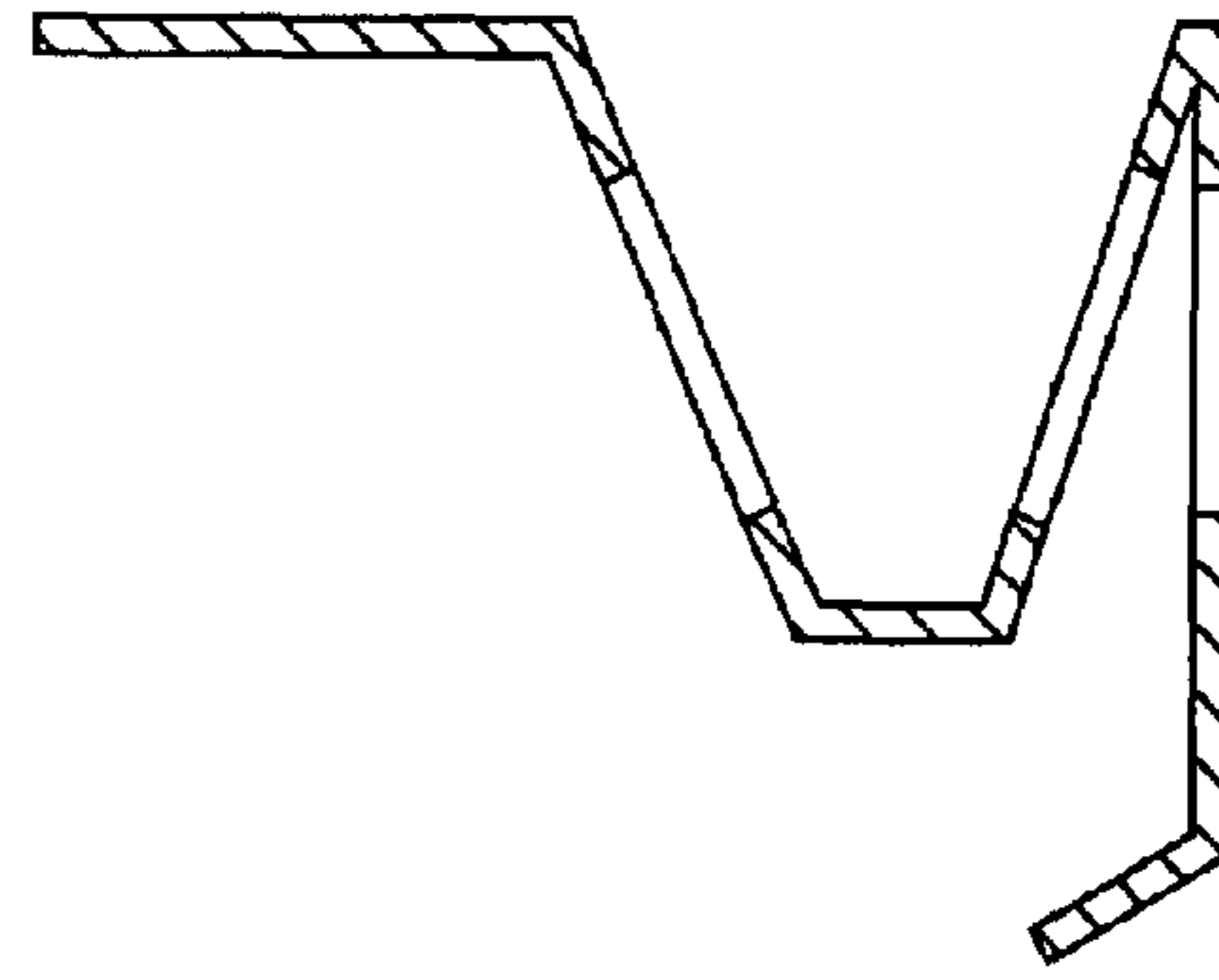


FIG. 8

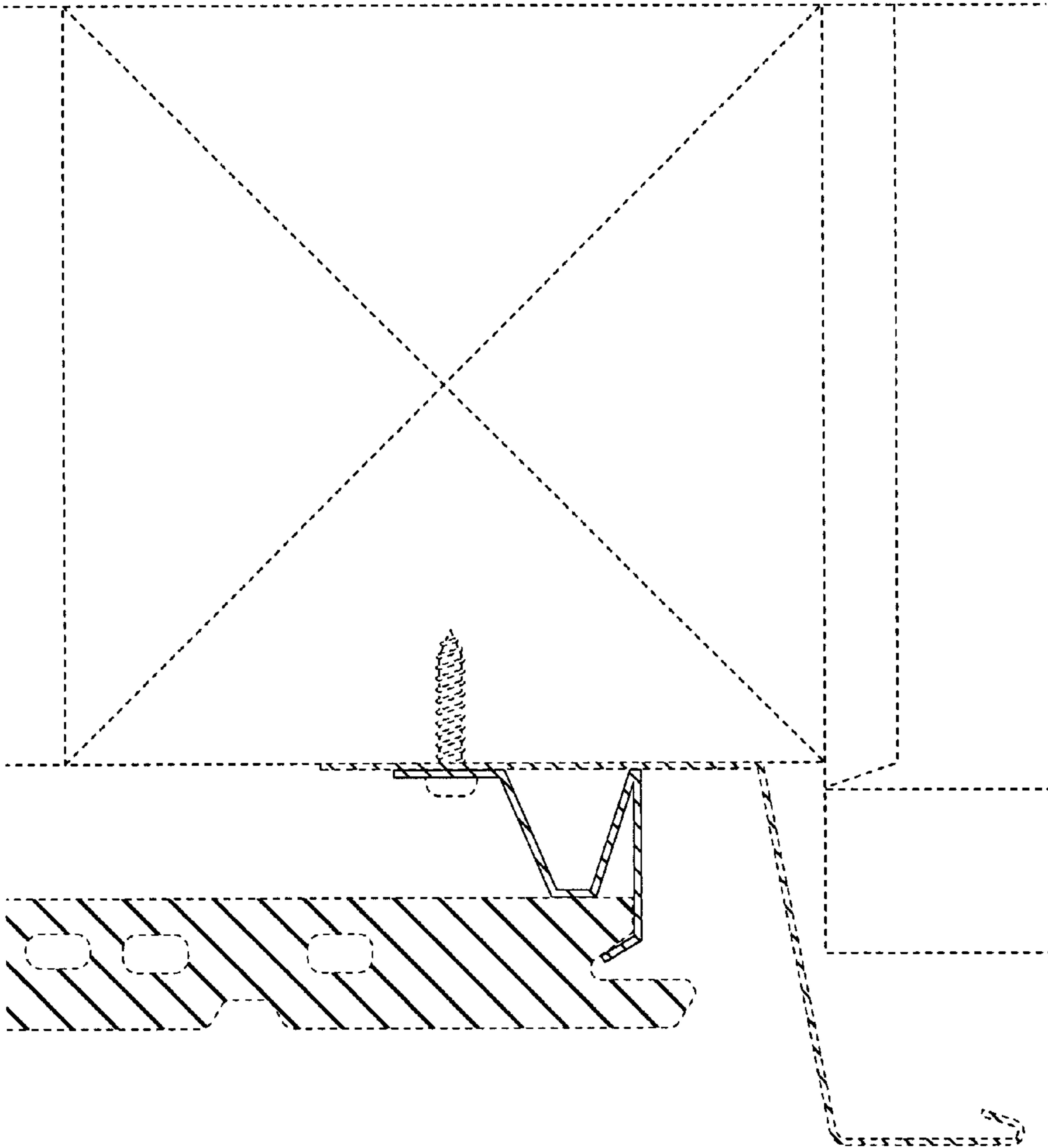


FIG. 9