



US00D556559S

(12) **United States Design Patent**
Jones et al.

(10) **Patent No.:** **US D556,559 S**

(45) **Date of Patent:** **** Dec. 4, 2007**

(54) **BALUSTER RAIL CONNECTOR**

(75) Inventors: **Anthony Trevor Jones**, Shropshire (GB); **Paul Hughes**, Powys (GB)

(73) Assignee: **Richard Burbidge Limited** (GB)

(**) Term: **14 Years**

(21) Appl. No.: **29/245,714**

(22) Filed: **Dec. 28, 2005**

(30) **Foreign Application Priority Data**

Jun. 29, 2005 (EM) 000364146

(51) **LOC (8) Cl.** **08-08**

(52) **U.S. Cl.** **D8/382**

(58) **Field of Classification Search** D8/382;
D23/263, 266; D21/503; 256/65.01; 52/119;
29/890.148; D25/68; 285/125.1

See application file for complete search history.

(56) **References Cited**

U.S. PATENT DOCUMENTS

- 1,860,650 A * 5/1932 Brace 403/169
- 2,219,599 A * 10/1940 Penote 228/170
- 2,292,328 A * 8/1942 Sisk 285/125.1
- 2,736,949 A * 3/1956 Kraemer 29/890.148
- 3,291,670 A * 12/1966 Usab 156/245
- 4,234,217 A * 11/1980 Sakamoto et al. 285/125.1
- D275,075 S * 8/1984 Magner D8/382
- D331,798 S * 12/1992 Klingbyle D23/263
- D355,843 S * 2/1995 Kuwata D8/382
- D374,606 S * 10/1996 Yeh D8/382

- 5,624,140 A * 4/1997 Allen et al. 285/123.1
- D384,987 S * 10/1997 Schmidt D21/503
- D397,742 S * 9/1998 Jensen D21/484
- D412,102 S * 7/1999 Murakami D8/382
- 6,149,825 A * 11/2000 Gargas 210/788
- D453,553 S * 2/2002 Maerz D23/263
- 6,565,279 B1 * 5/2003 Skovronski et al. 403/192
- D480,298 S * 10/2003 Skovronski et al. D8/396
- 6,688,046 B2 * 2/2004 Perkins 52/19
- D524,436 S * 7/2006 Stout, Jr. D23/393
- 2003/0094604 A1 * 5/2003 Higgs et al. 256/65.01

FOREIGN PATENT DOCUMENTS

EP 1 335 081 A2 8/2003

* cited by examiner

Primary Examiner—Holly H. Baynham

Assistant Examiner—Sheryl Friedman

(74) *Attorney, Agent, or Firm*—Caesar, Rivise, Bernstein, Cohen & Pokotilow, Ltd.

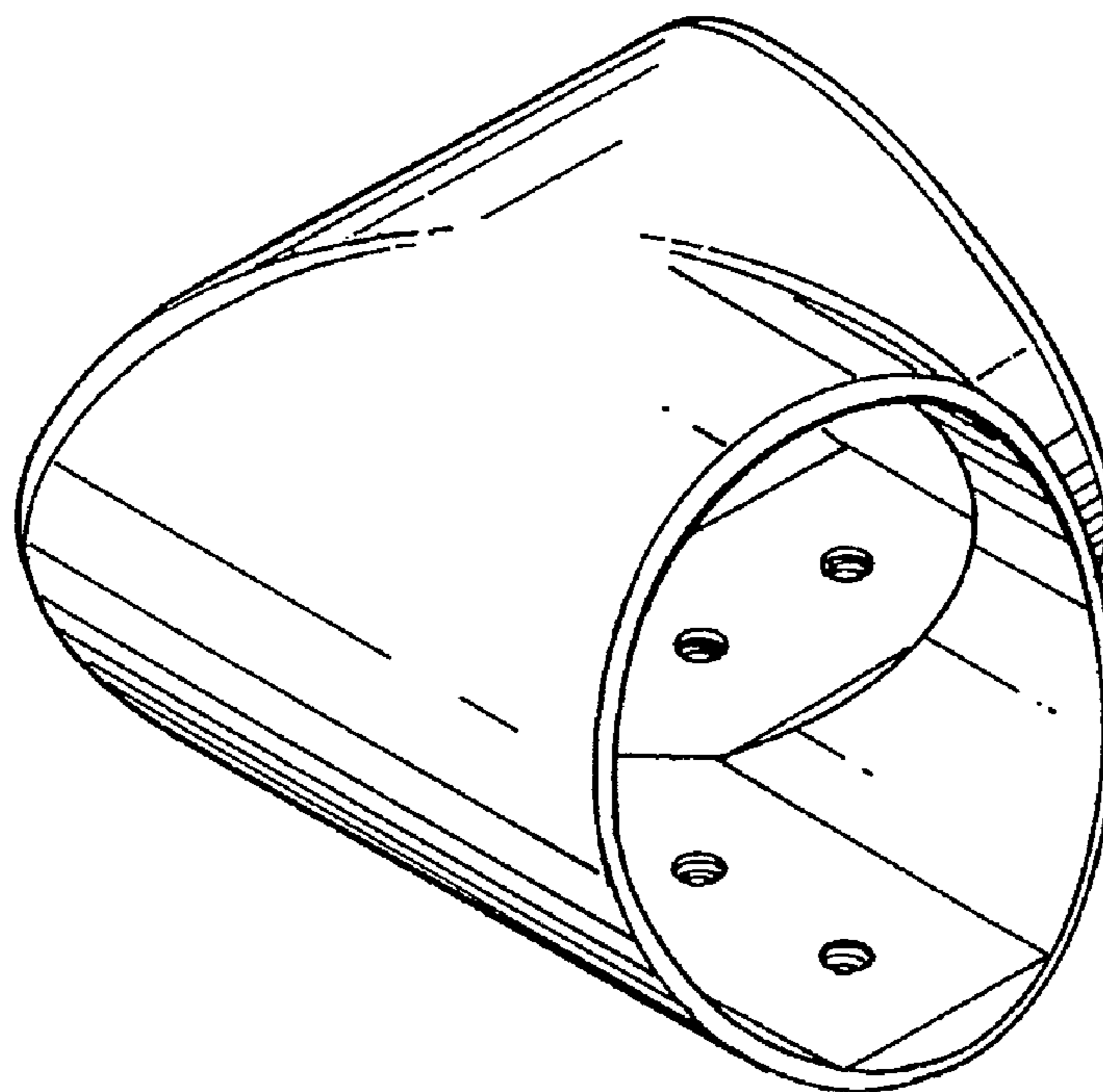
(57) **CLAIM**

The ornamental design for baluster rail connector, as shown and described.

DESCRIPTION

FIG. 1 is a perspective view of baluster rail connector;
FIG. 2 is a top plan view thereof;
FIG. 3 is a bottom plan view thereof;
FIG. 4 is a side elevational view thereof; and,
FIG. 5 is an end elevational view.

1 Claim, 2 Drawing Sheets



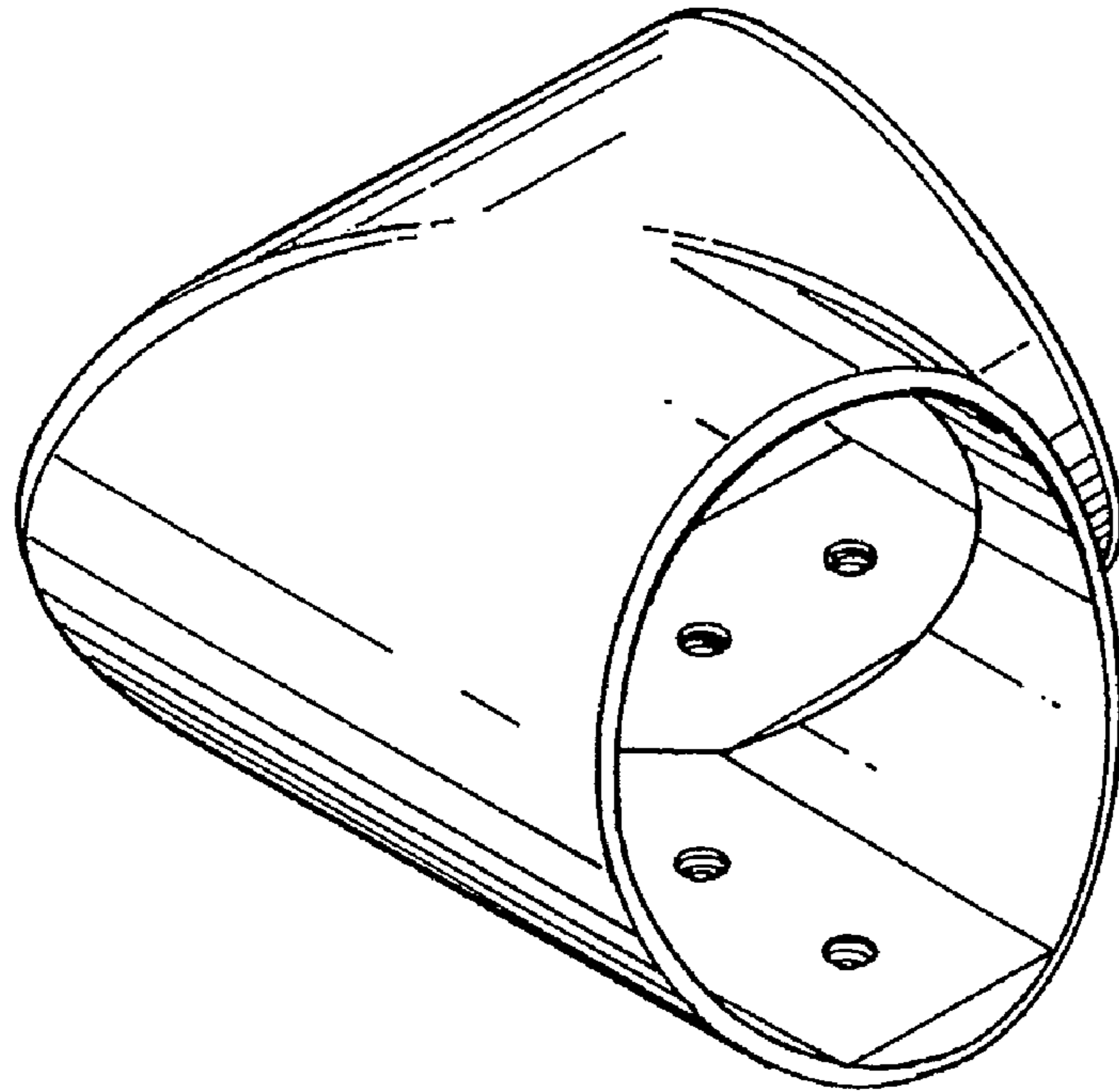


FIG. 1

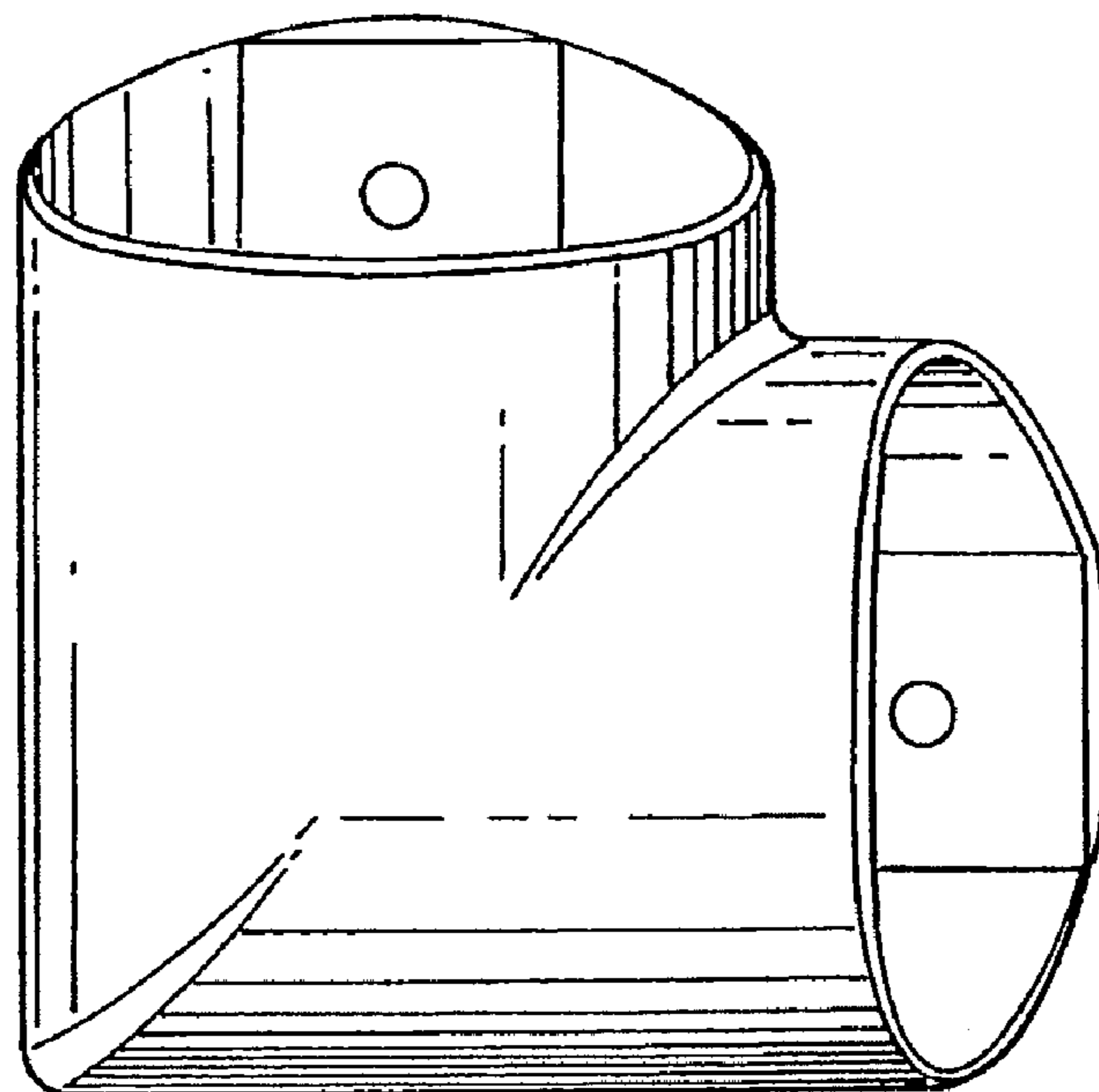


FIG. 2

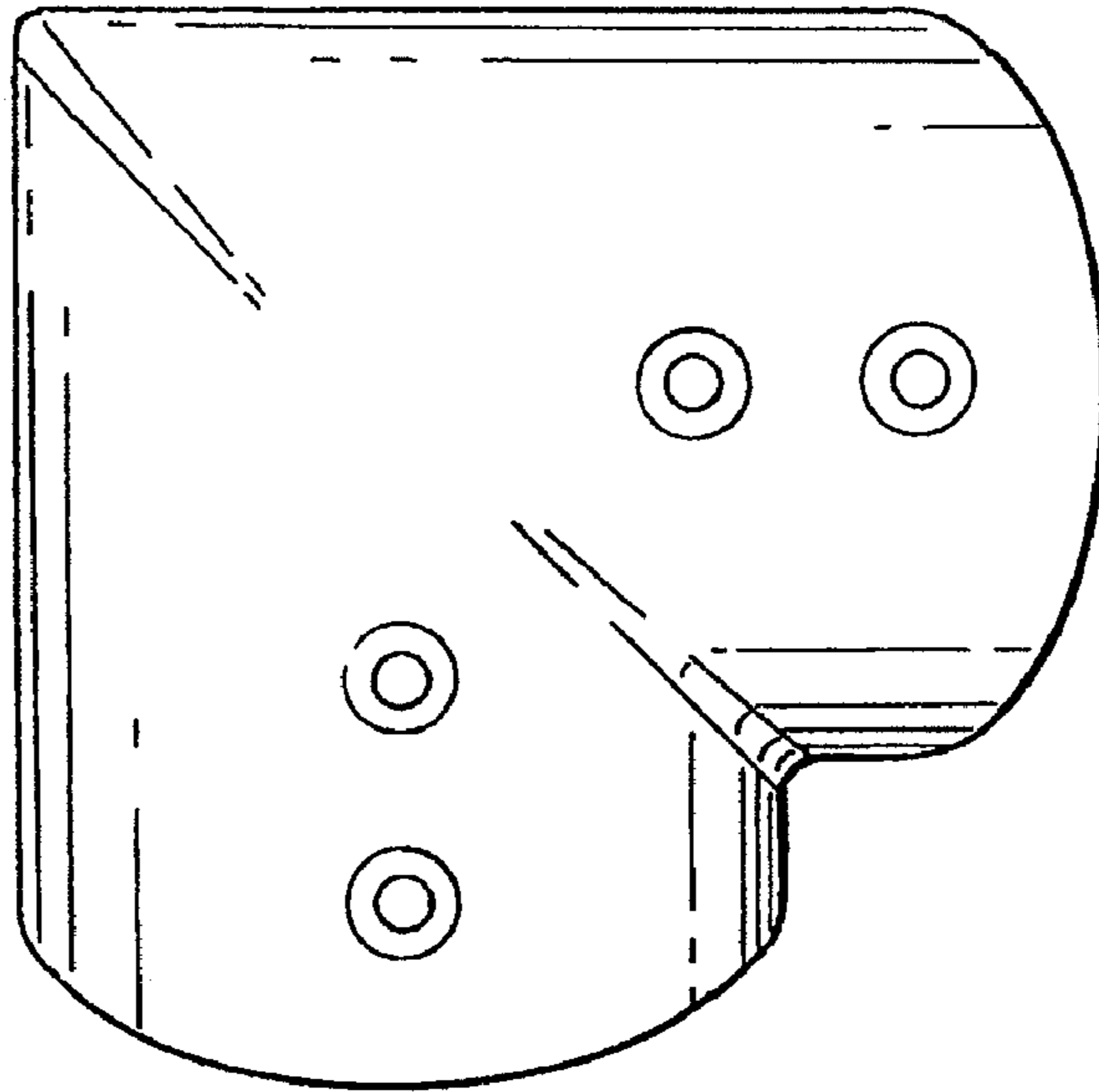


FIG. 3

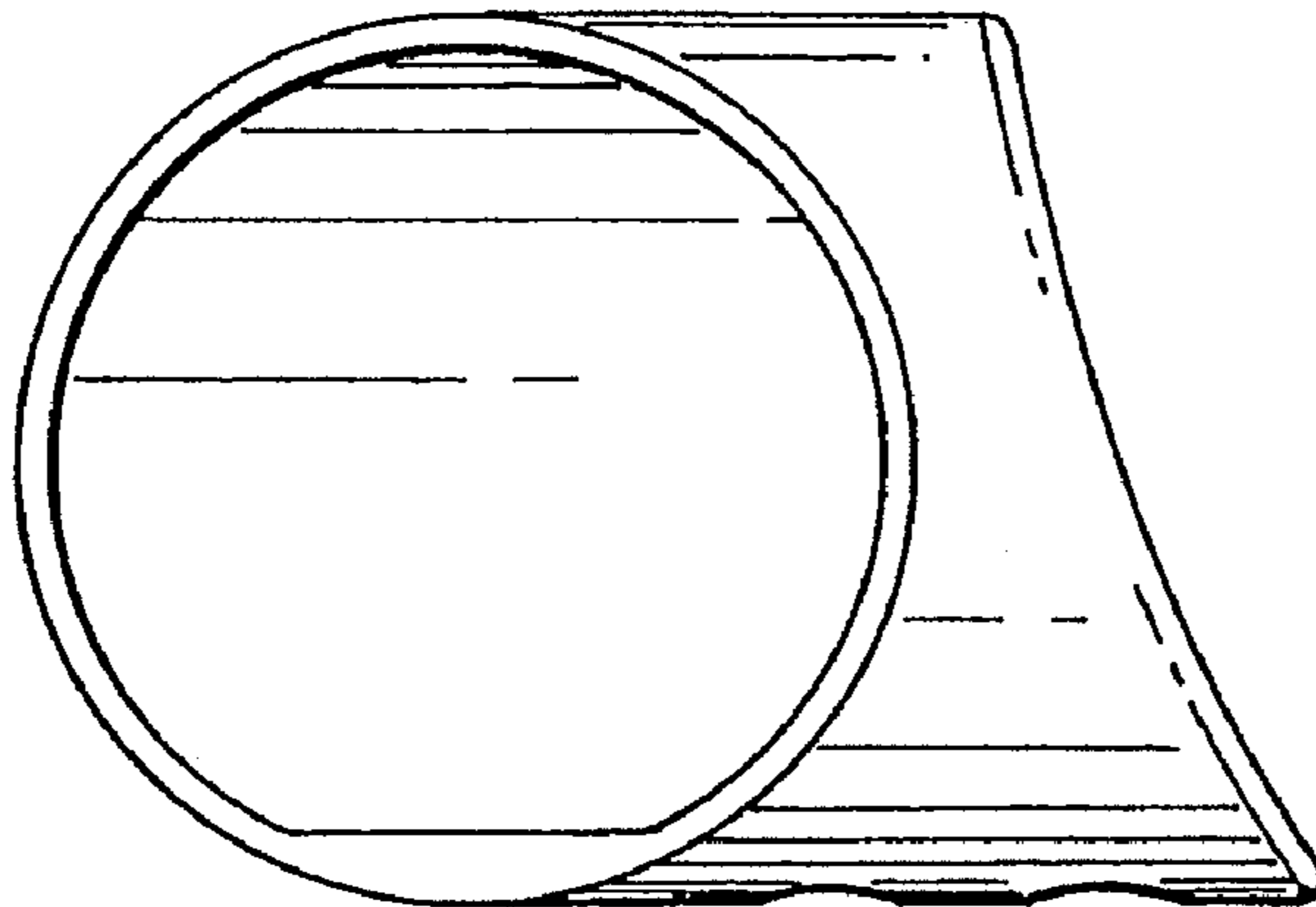


FIG. 4

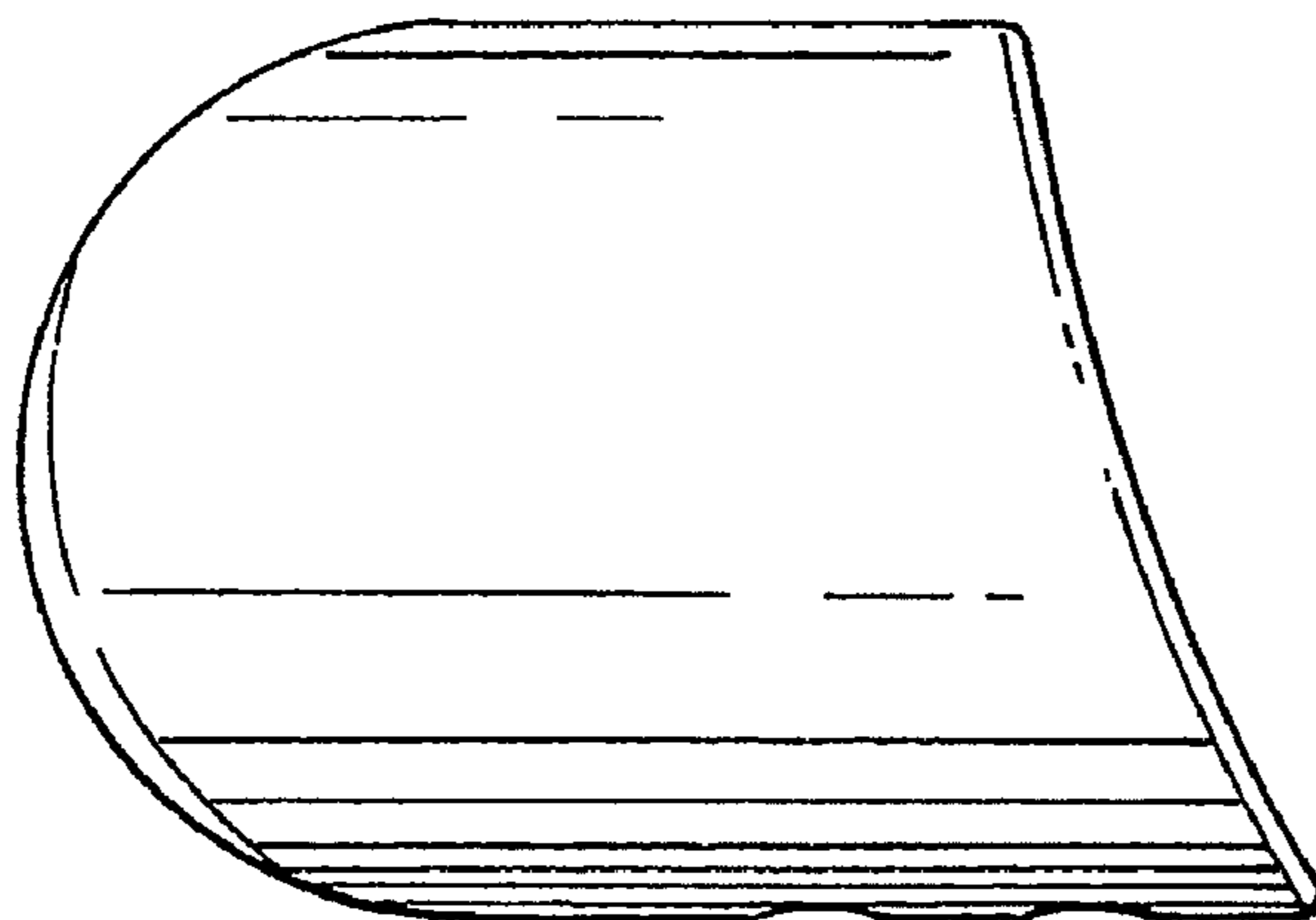


FIG. 5