



US00D556558S

(12) **United States Design Patent**
Biancardi et al.

(10) **Patent No.:** **US D556,558 S**

(45) **Date of Patent:** **** Dec. 4, 2007**

(54) **FENCE PANEL BRACKET ASSEMBLY**

D256,663 S * 9/1980 Gilb D8/380
4,899,991 A * 2/1990 Brunkan 256/69
D478,804 S * 8/2003 Titus D8/363

(76) Inventors: **Fred Biancardi**, 5615 SE. Graham Dr.,
Stuart, FL (US) 34997; **Damian Daniel**,
451 SW. Paar Dr., Port Saint Lucie, FL
(US) 34952; **Armando Kianes**, 451
SW. Paar Dr., Port Saint Lucie, FL (US)
34952

* cited by examiner

Primary Examiner—Robert M. Spear
Assistant Examiner—Susan Bennett Hattan
(74) *Attorney, Agent, or Firm*—McHale & Slavin, P.A.

(**) Term: **14 Years**

(21) Appl. No.: **29/248,927**

(22) Filed: **Sep. 11, 2006**

(51) **LOC (8) Cl.** **08-05**

(52) **U.S. Cl.** **D8/380**

(58) **Field of Classification Search** D8/380,
D8/373; D25/136, 122, 119; D14/451; 52/718.04,
52/716.1; 256/69, 67, 24; 248/220.1, 200,
248/205.3, 201, 207, 917

See application file for complete search history.

(56) **References Cited**

U.S. PATENT DOCUMENTS

1,848,085 A * 3/1932 Eisenschmidt D8/380
4,114,861 A * 9/1978 Long 256/67

(57) **CLAIM**

The ornamental design for a fence panel bracket assembly,
as shown and described.

DESCRIPTION

FIG. 1 is a top perspective view of the fence panel bracket
assembly of the instant invention;

FIG. 2 is a front view of the instant invention;

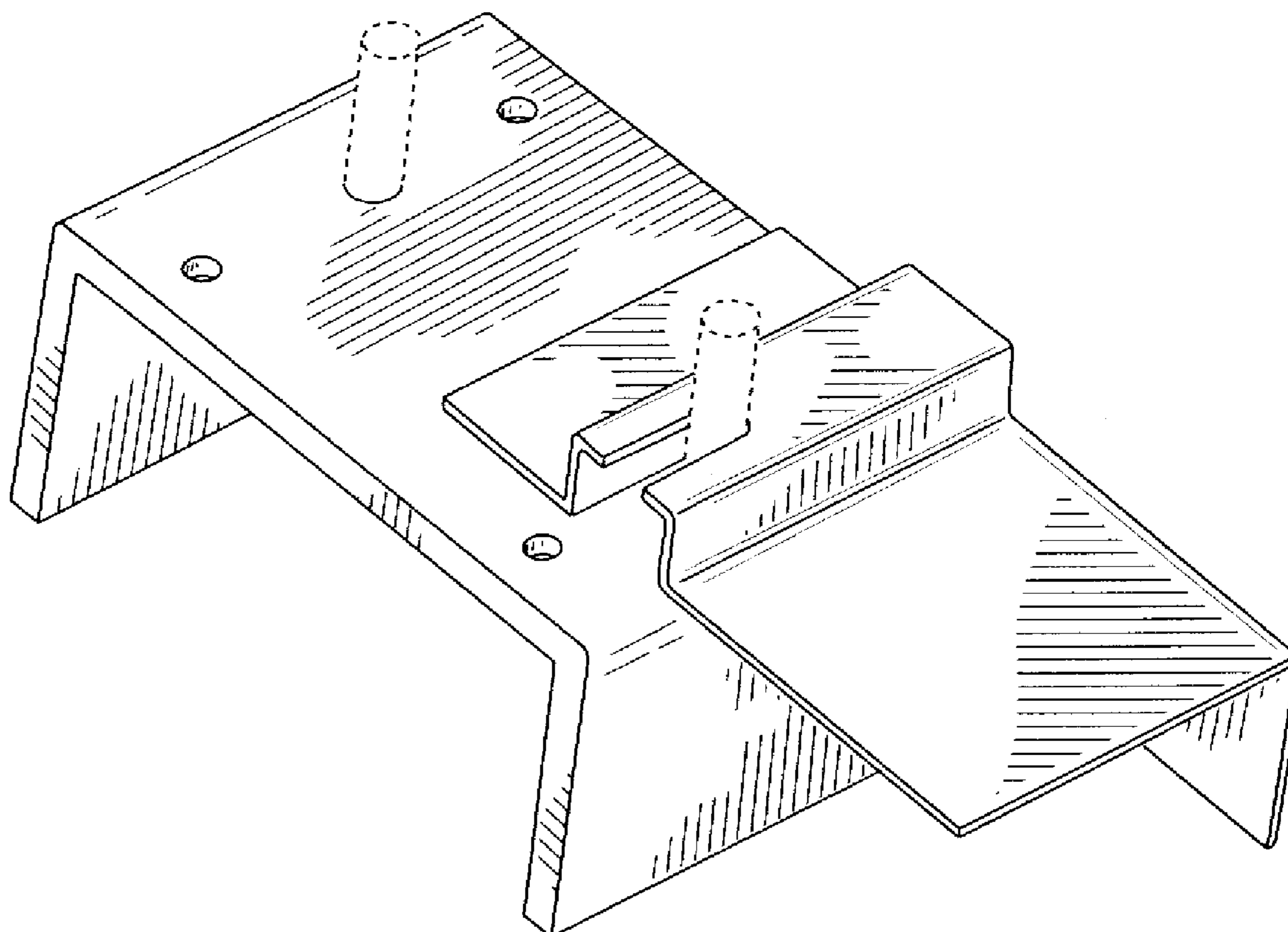
FIG. 3 is a right side view of the instant invention;

FIG. 4 is a top view of the instant invention; and,

FIG. 5 is a back view of the instant invention.

The broken lines in the drawings are for illustrative purposes
only and form no part of the claimed design.

1 Claim, 3 Drawing Sheets



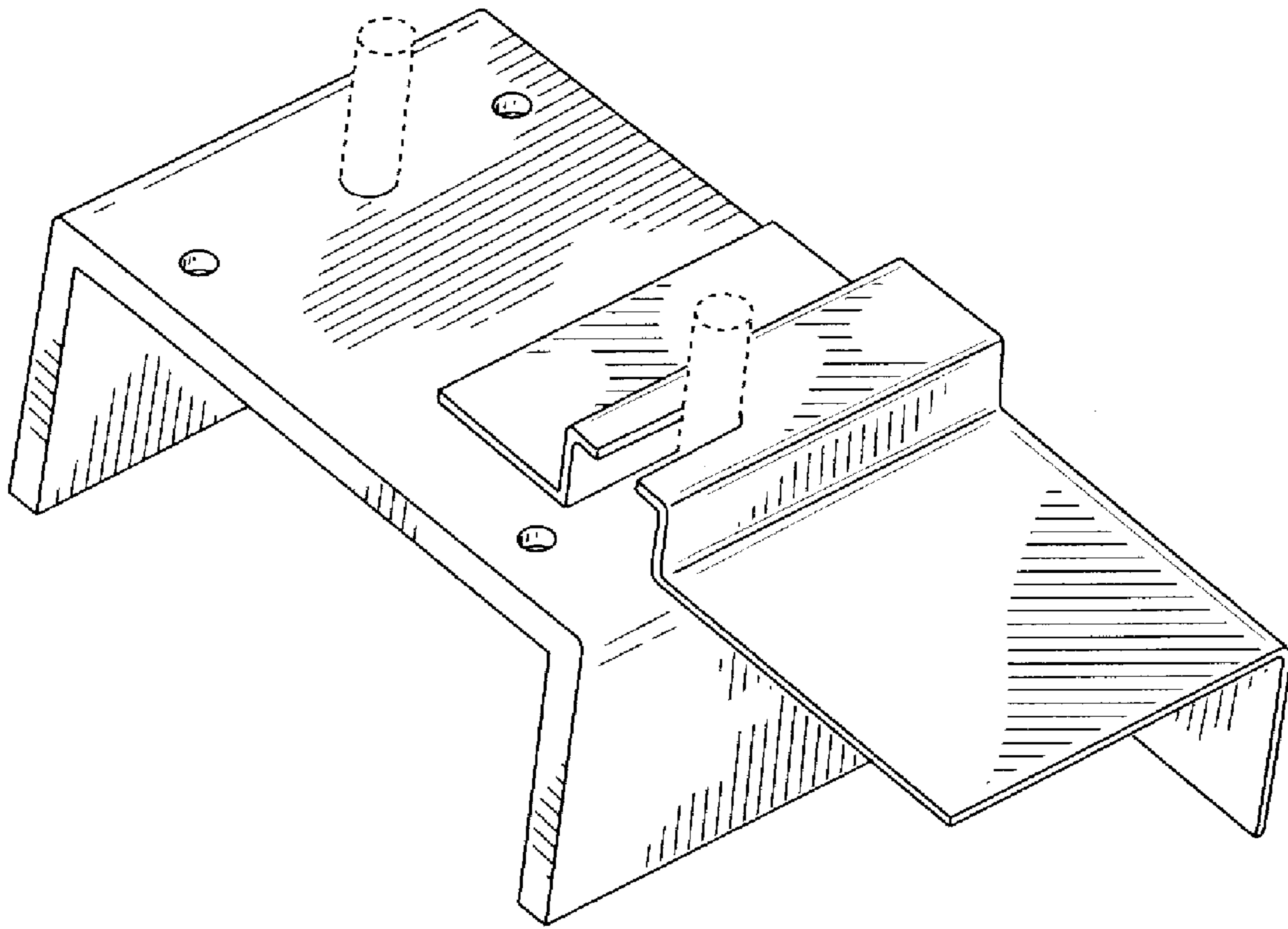


FIG. 1

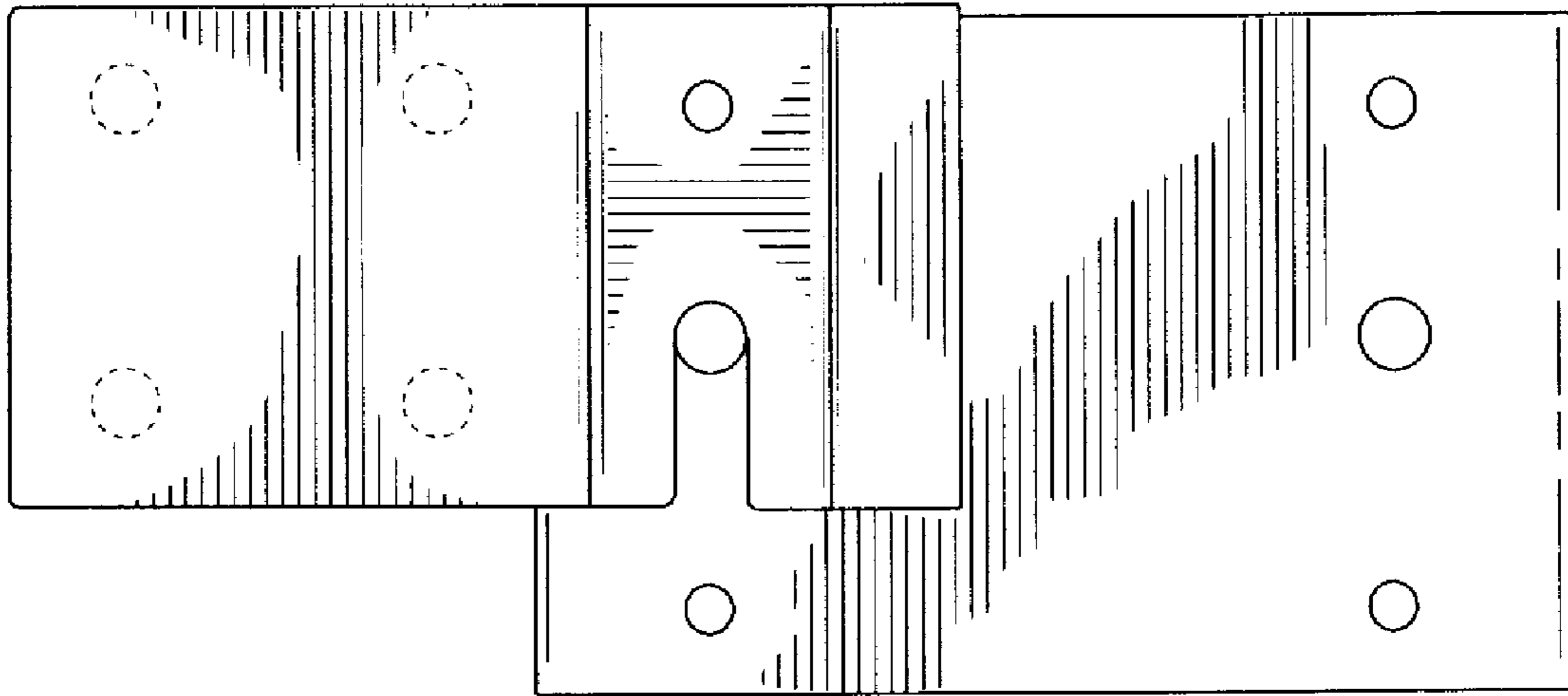


FIG. 2

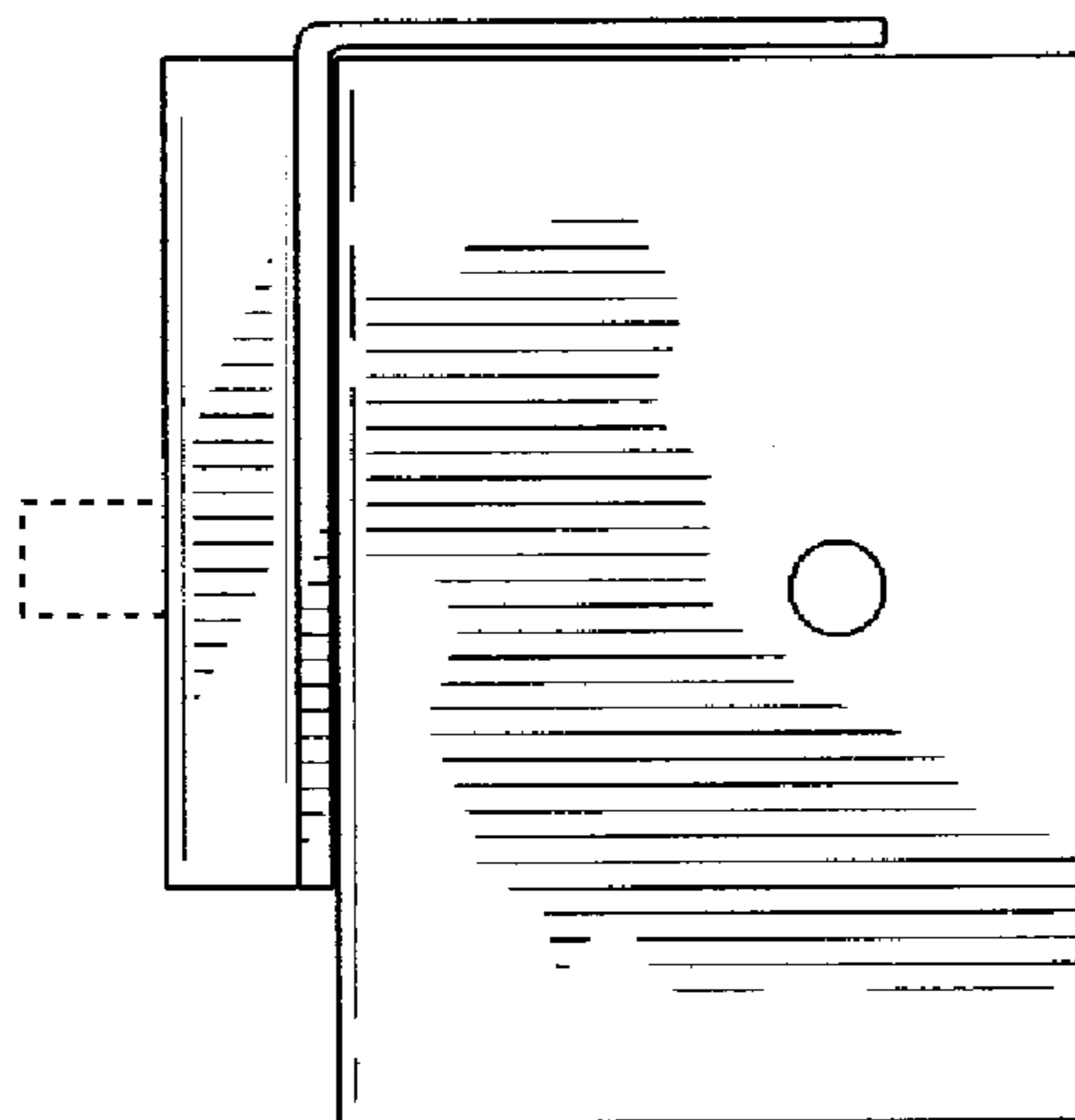


FIG. 3

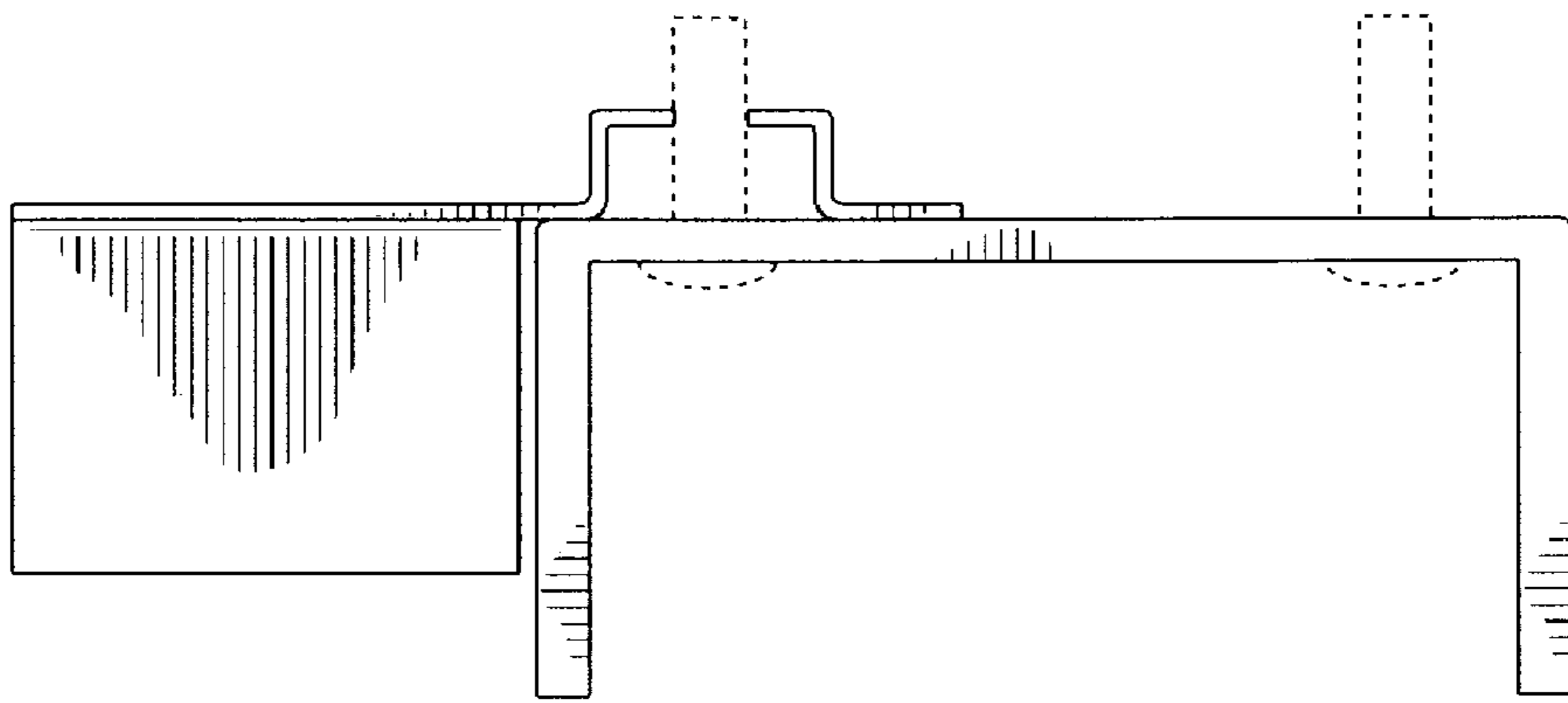


FIG. 4

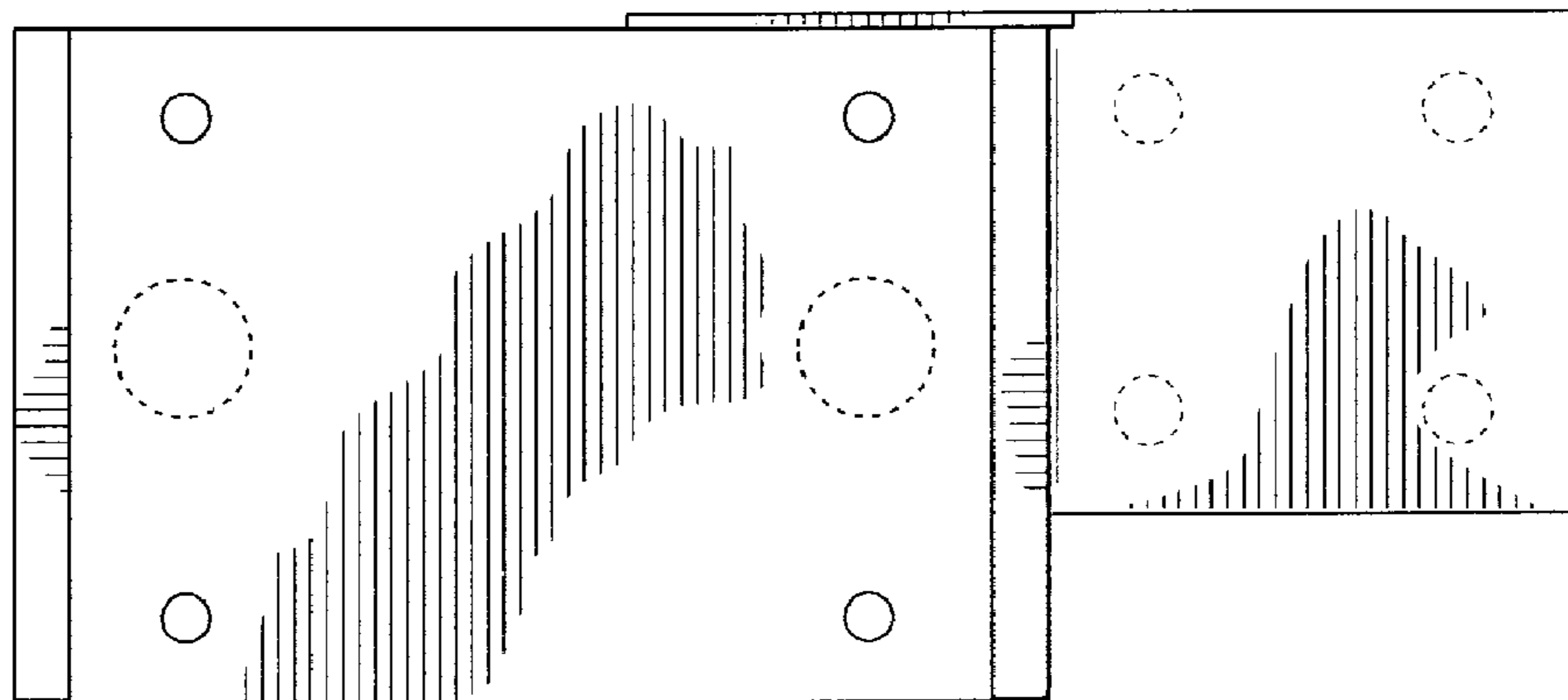


FIG. 5