



US00D556555S

(12) **United States Design Patent**
Tamara

(10) **Patent No.:** **US D556,555 S**

(45) **Date of Patent:** **** Dec. 4, 2007**

(54) **CASTOR WITH HUB**

D460,346 S * 7/2002 Screen et al. D8/375
D499,061 S * 11/2004 Echazabal D12/209
D516,985 S * 3/2006 Looho D12/209

(75) Inventor: **George Tamara**, Glendale, CA (US)

(73) Assignee: **True Seating Concepts, LLC** (MU)

* cited by examiner

(**) Term: **14 Years**

Primary Examiner—Gary D. Watson

Assistant Examiner—Susan Bennett Hattan

(21) Appl. No.: **29/259,627**

(74) *Attorney, Agent, or Firm*—Morland C. Fischer

(22) Filed: **May 11, 2006**

(57) **CLAIM**

(51) **LOC (8) Cl.** **08-05**

The ornamental design for a castor with hub, as shown and described.

(52) **U.S. Cl.** **D8/375**

(58) **Field of Classification Search** D8/375;

D3/318; 190/18 A; 16/45–47, 40, 35 R,

16/35 D, 31 R, 31 A, 29, 18 R, 18 CG; D12/501,

D12/207–210, 204, 133

See application file for complete search history.

DESCRIPTION

FIG. 1 is a left side elevational view of a castor with hub which forms my new design;

FIG. 2 is a right side elevational view thereof;

FIG. 3 is a rear elevational view thereof;

FIG. 4 is a front elevational view thereof;

FIG. 5 is a bottom plan view thereof;

FIG. 6 is a top plan view thereof; and,

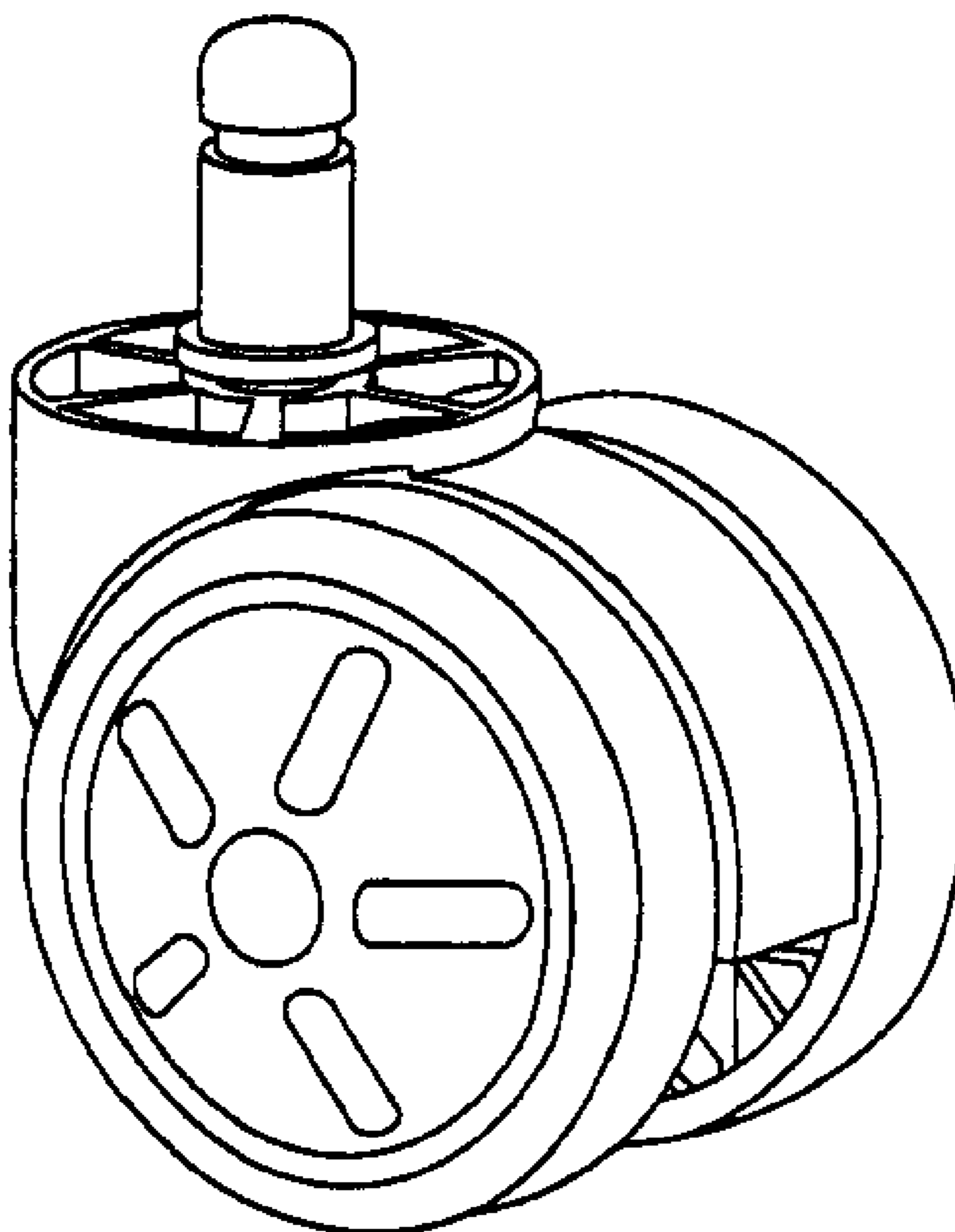
FIG. 7 is an enlarged perspective view showing the front, left side and top thereof.

(56) **References Cited**

U.S. PATENT DOCUMENTS

D240,399 S * 7/1976 Crescenzi D8/375
D296,300 S * 6/1988 Doyle et al. D8/375
D308,161 S * 5/1990 Daniels D8/375
D325,011 S * 3/1992 Markling D12/501
D329,011 S * 9/1992 Block D8/375
D426,185 S * 6/2000 Jackson D12/209
D455,699 S * 4/2002 Chung D12/209

1 Claim, 1 Drawing Sheet



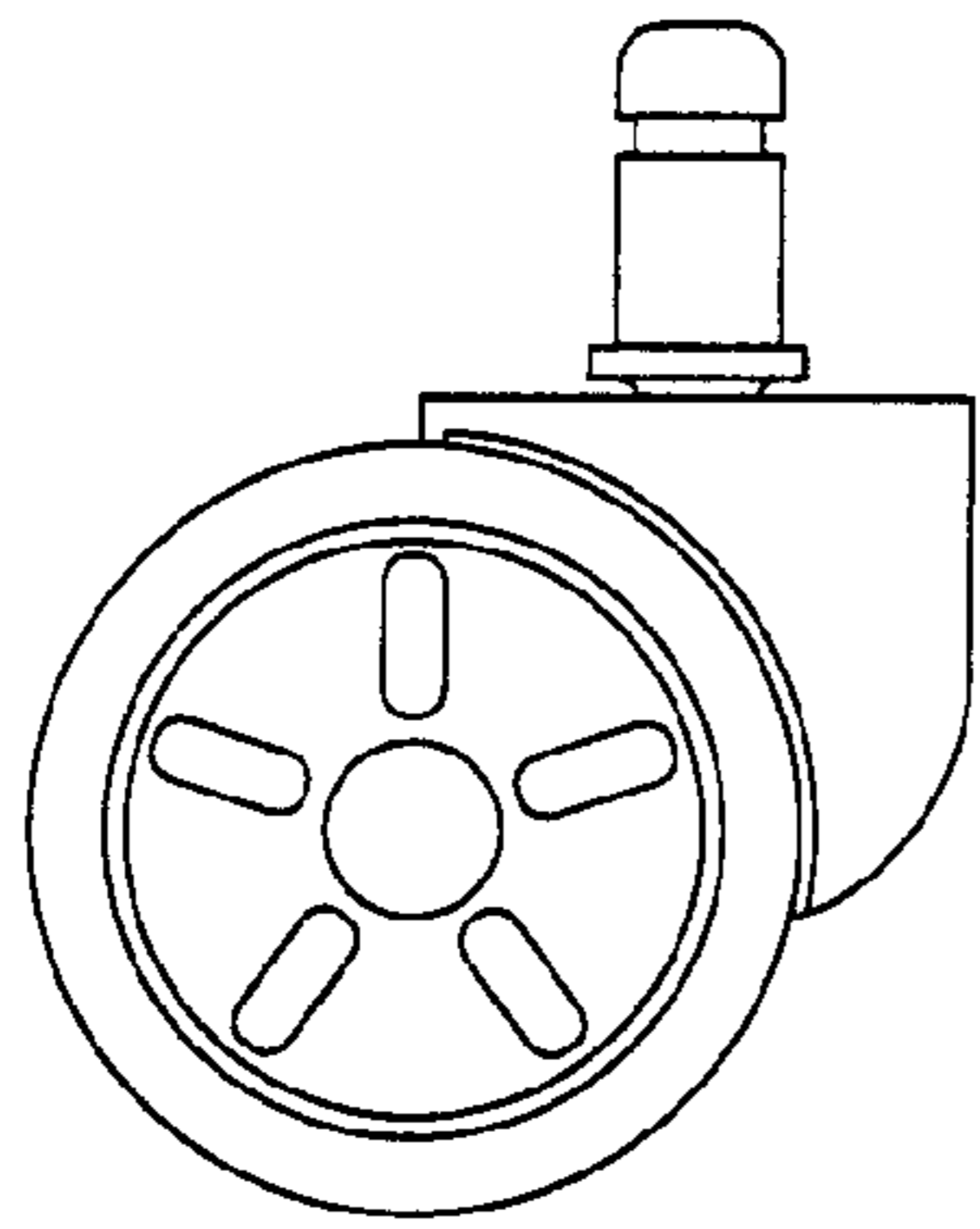


FIG. 1

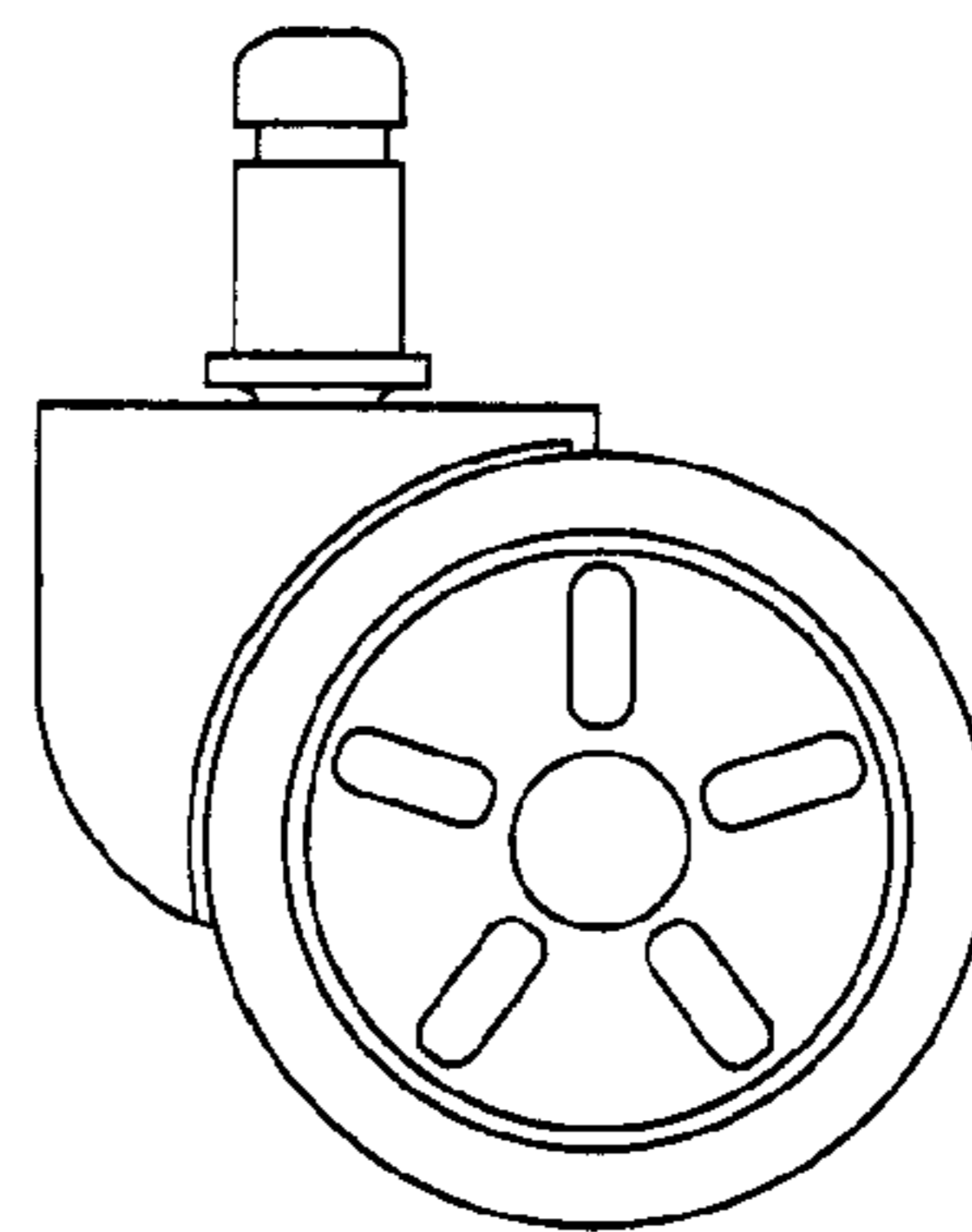


FIG. 2

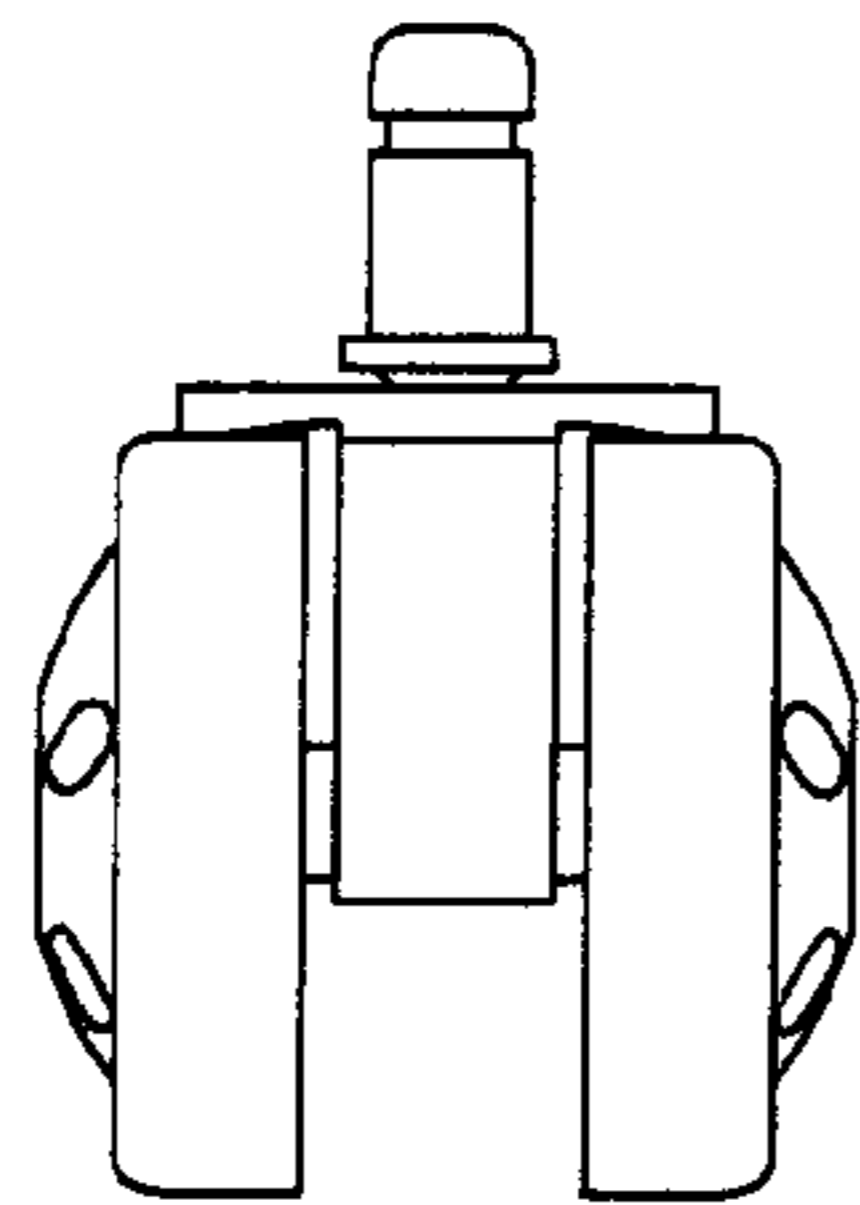


FIG. 3

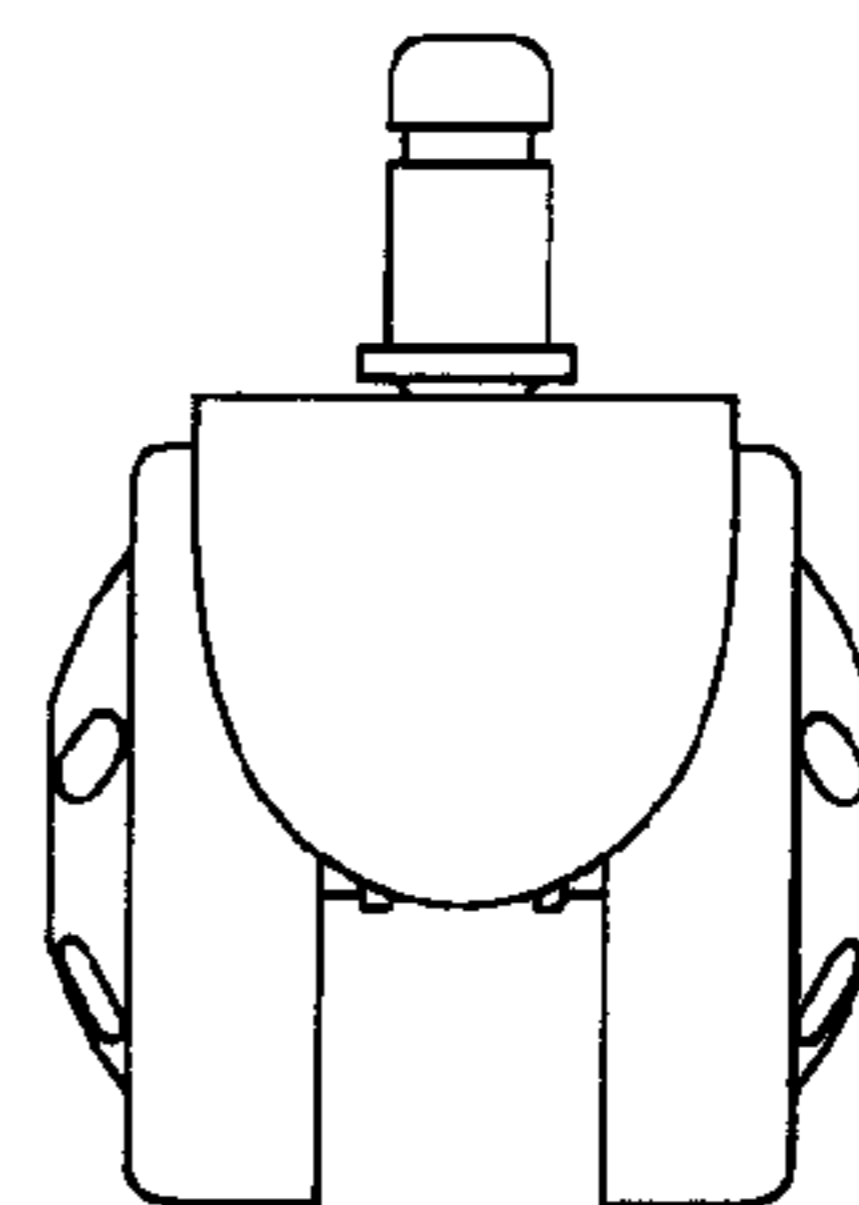


FIG. 4

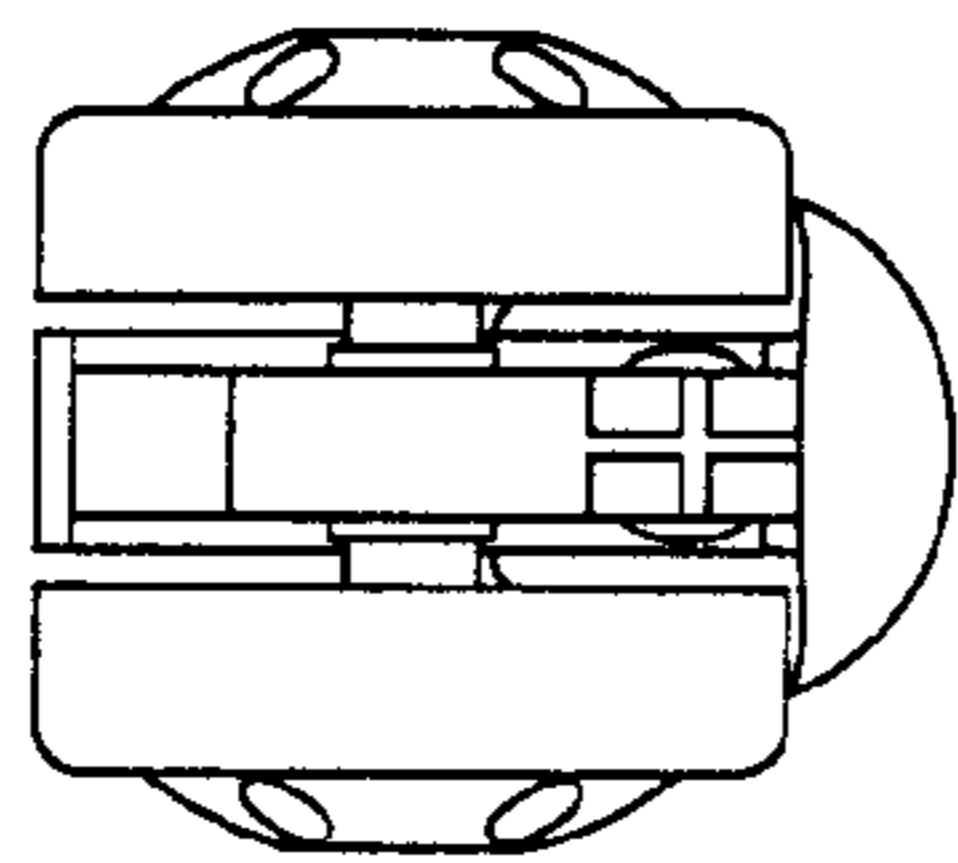


FIG. 5

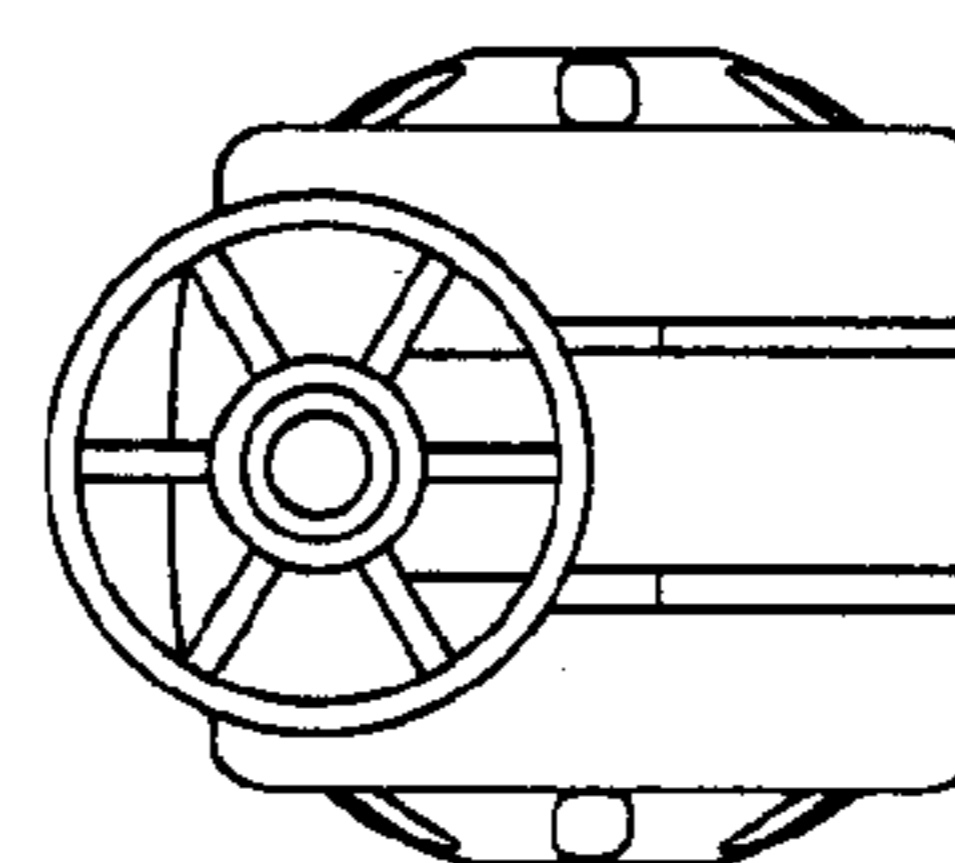


FIG. 6

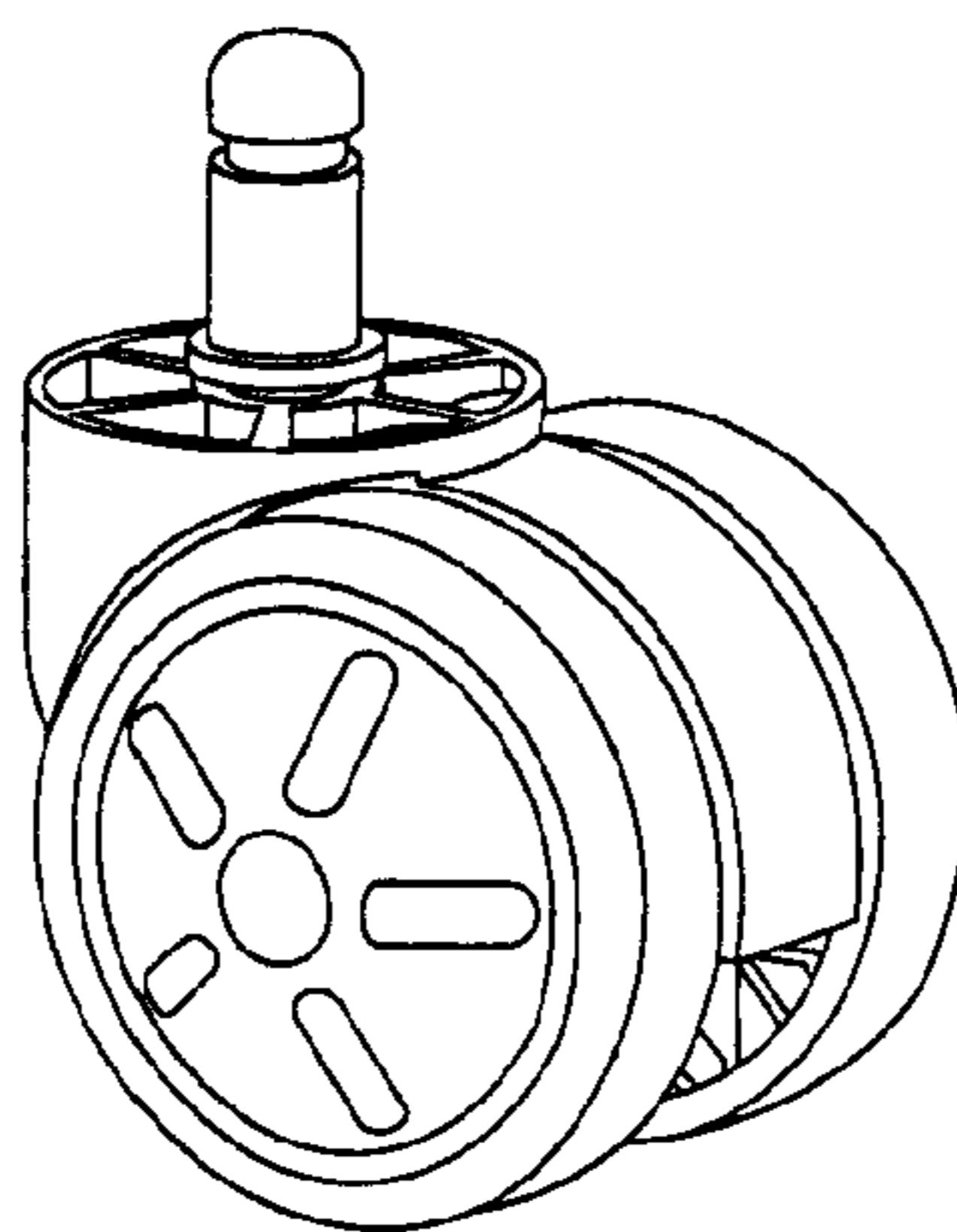


FIG. 7