



US00D556554S

(12) **United States Design Patent**
Tamara

(10) **Patent No.:** **US D556,554 S**

(45) **Date of Patent:** **** Dec. 4, 2007**

(54) **CASTOR WITH HUB**

(75) Inventor: **George Tamara**, Glendale, CA (US)

(73) Assignee: **True Seating Concepts, LLC** (MU)

(**) Term: **14 Years**

(21) Appl. No.: **29/259,626**

(22) Filed: **May 11, 2006**

(51) **LOC (8) Cl.** **08-05**

(52) **U.S. Cl.** **D8/375**

(58) **Field of Classification Search** D8/375;
D3/318; 190/18 A; 16/45-47, 40, 35 R,
16/35 D, 31 R, 31 A, 29, 18 R, 18 CG; D12/501,
D12/207-210, 204, 133
See application file for complete search history.

(56) **References Cited**

U.S. PATENT DOCUMENTS

D235,433 S *	6/1975	May et al.	D12/501
D240,399 S *	7/1976	Crescenzi	D8/375
D259,719 S *	6/1981	Reppert	D12/209
D296,300 S *	6/1988	Doyle et al.	D8/375
4,793,022 A *	12/1988	Raffaelli	16/45
D308,161 S *	5/1990	Daniels	D8/375
D329,011 S *	9/1992	Block	D8/375

D460,346 S *	7/2002	Screen et al.	D8/375
D470,747 S *	2/2003	Chi	D8/375
D496,259 S *	9/2004	Cheng	D8/375
D522,753 S *	6/2006	Moon	D3/318

* cited by examiner

Primary Examiner—Gary D. Watson

Assistant Examiner—Susan Bennett Hattan

(74) *Attorney, Agent, or Firm*—Morland C. Fischer

(57) **CLAIM**

The ornamental design for a castor with hub, as shown and described.

DESCRIPTION

FIG. 1 is a left side elevational view of a castor with hub which forms my new design;

FIG. 2 is a right side elevational view thereof;

FIG. 3 is a rear elevational view thereof;

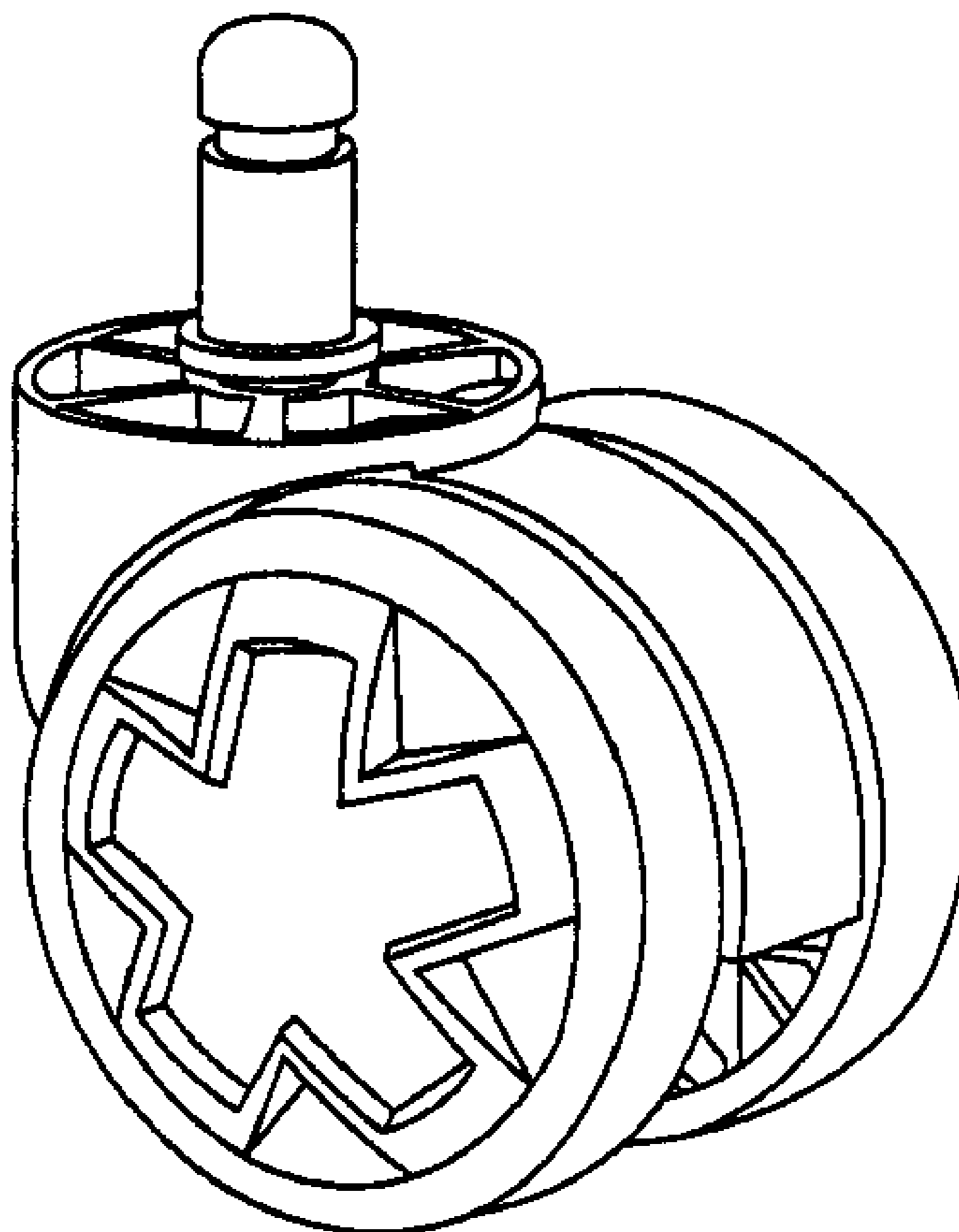
FIG. 4 is a front elevational view thereof;

FIG. 5 is a bottom plan view thereof;

FIG. 6 is a top plan view thereof; and,

FIG. 7 is an enlarged perspective view showing the front, left side and top thereof.

1 Claim, 1 Drawing Sheet



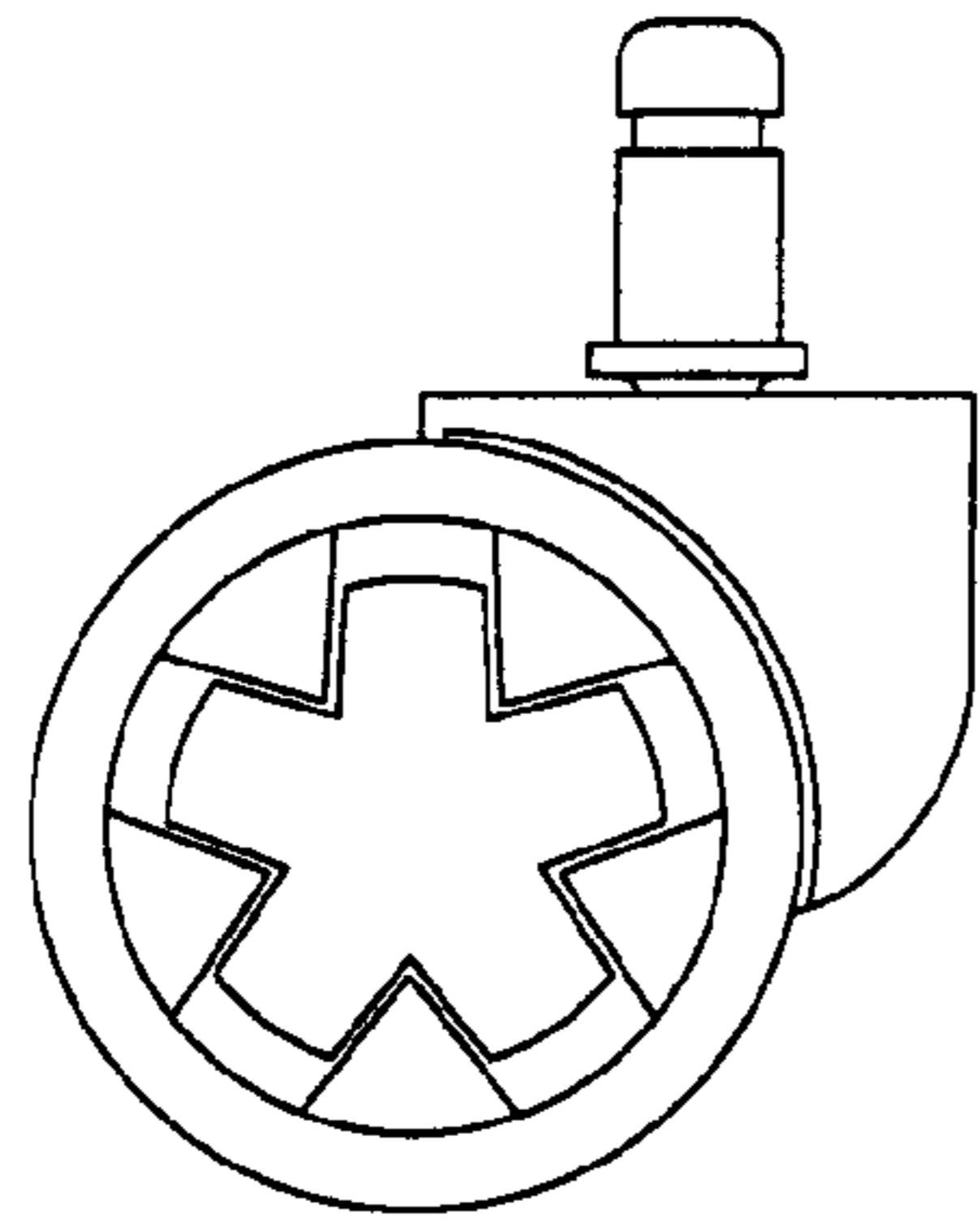


FIG. 1

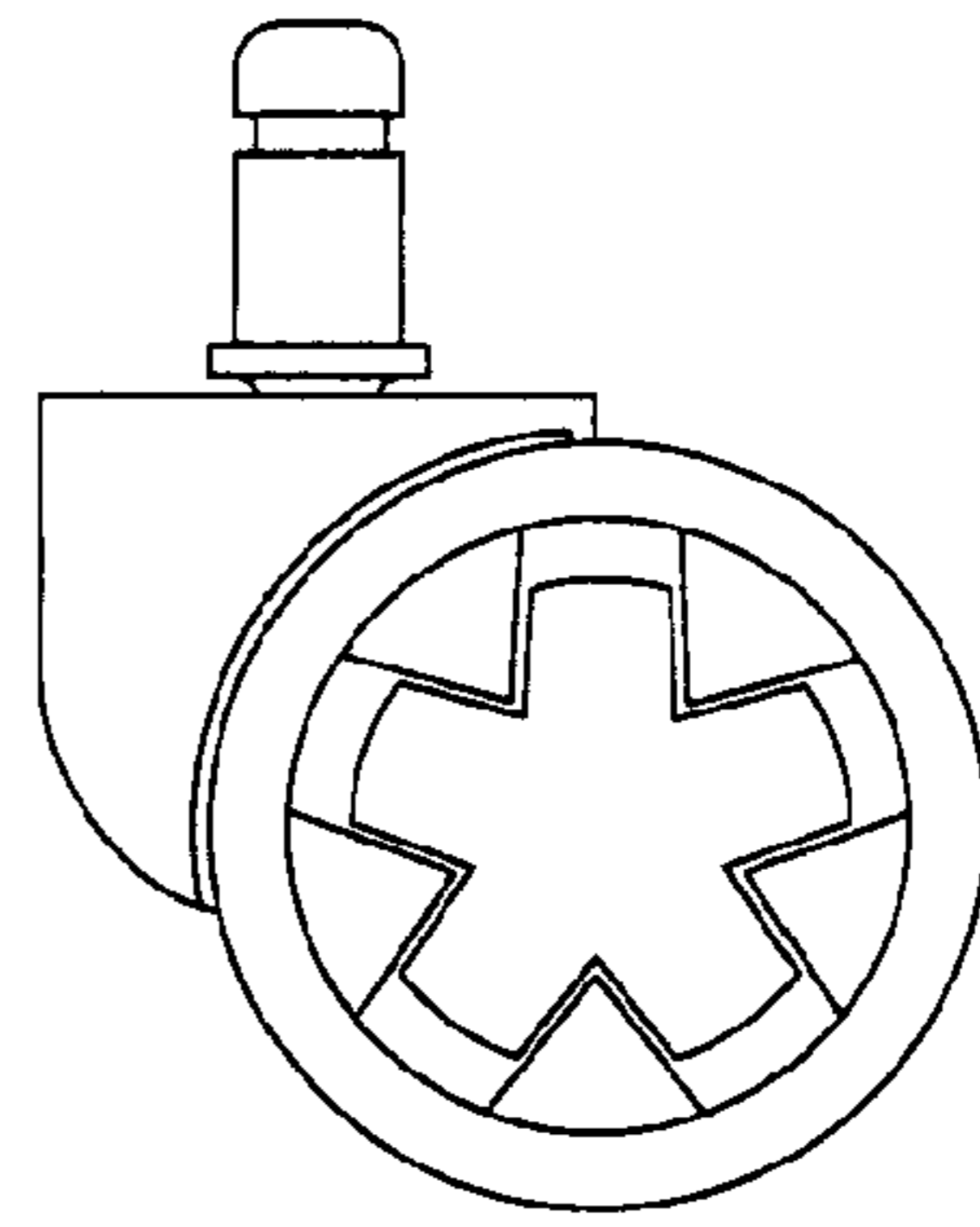


FIG. 2

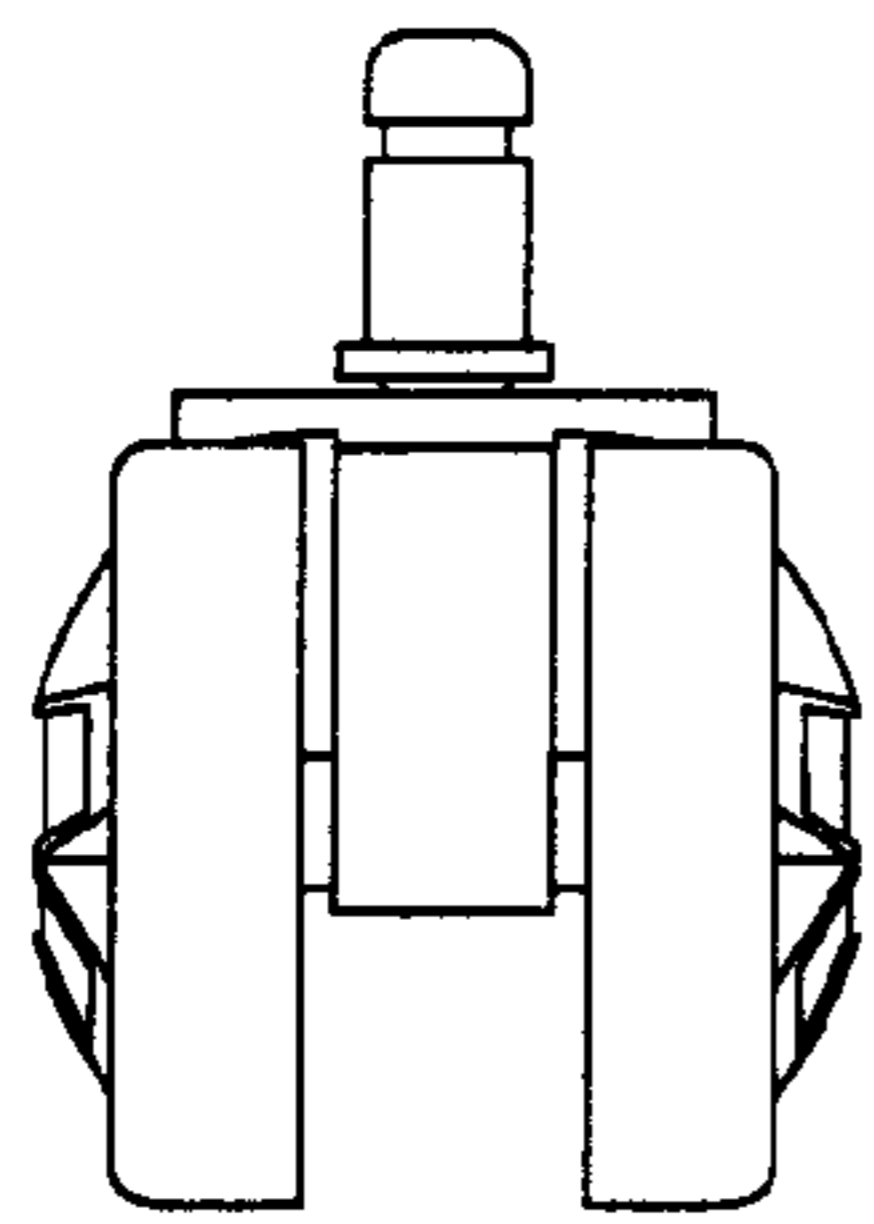


FIG. 3

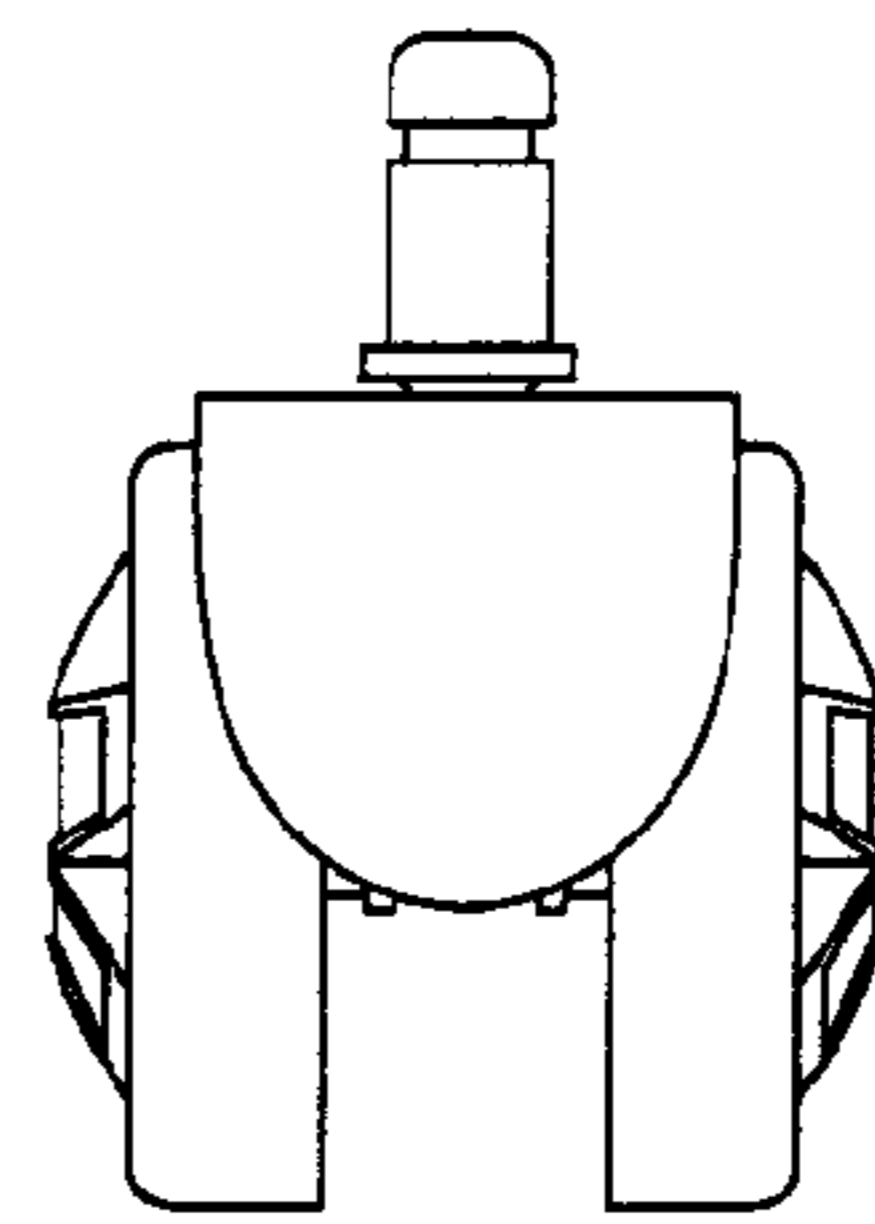


FIG. 4

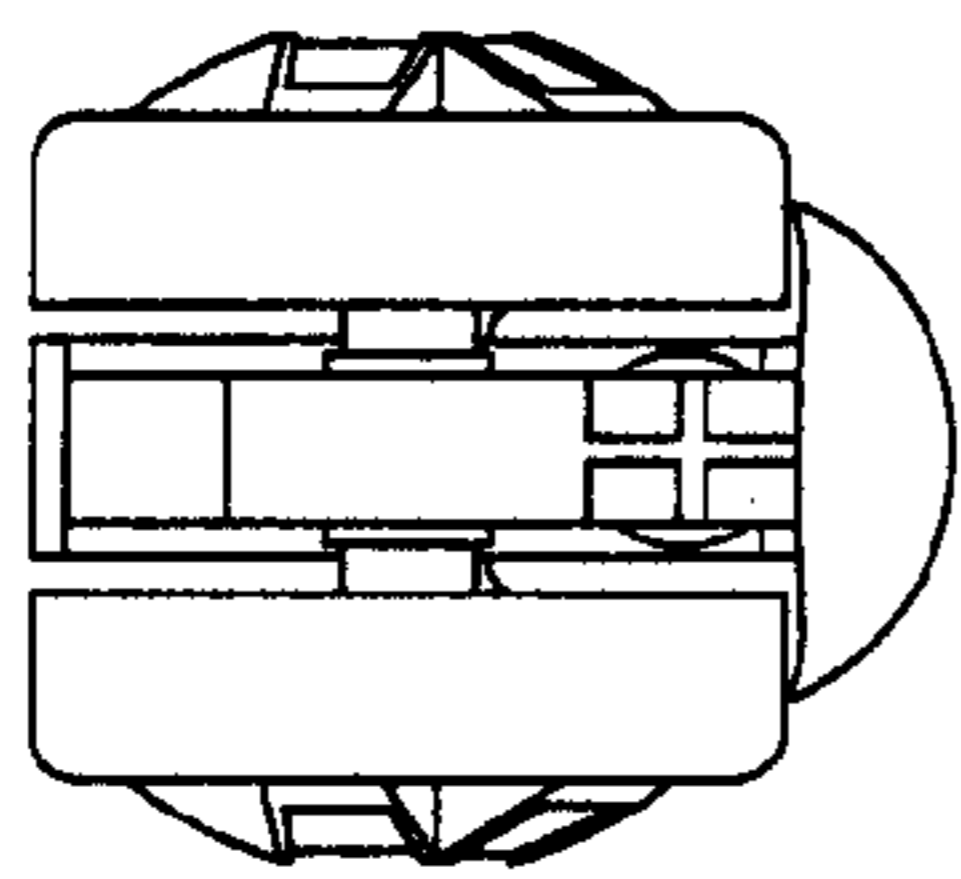


FIG. 5

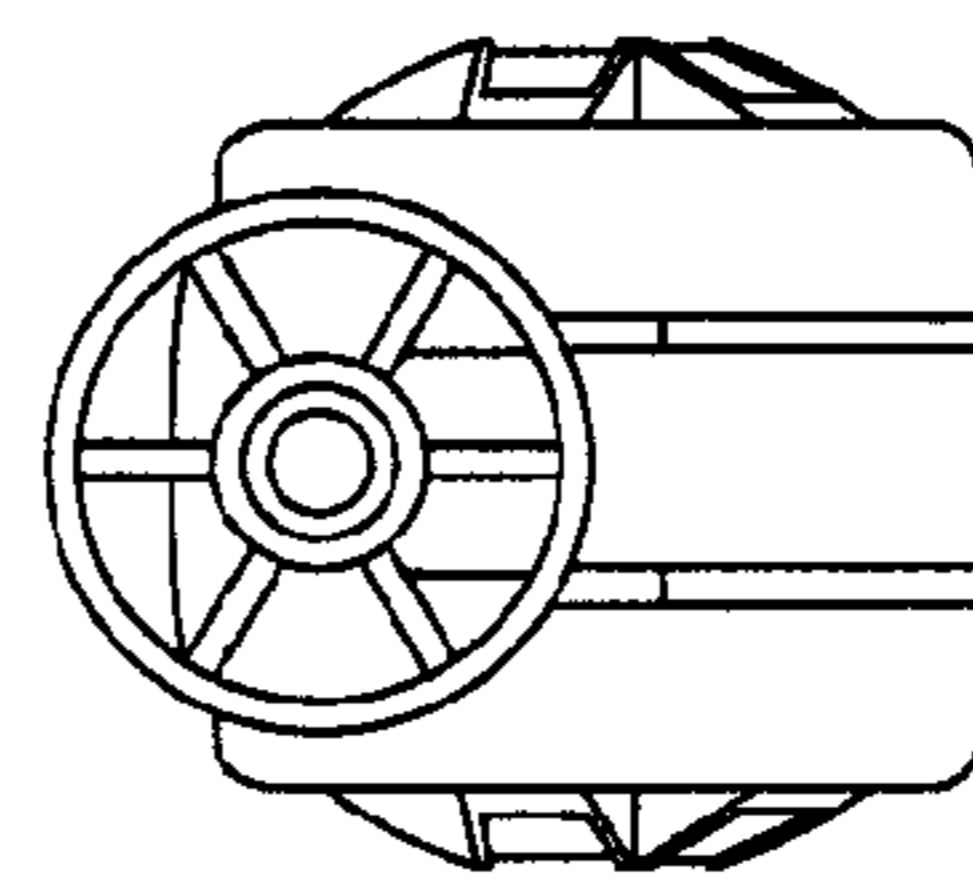


FIG. 6

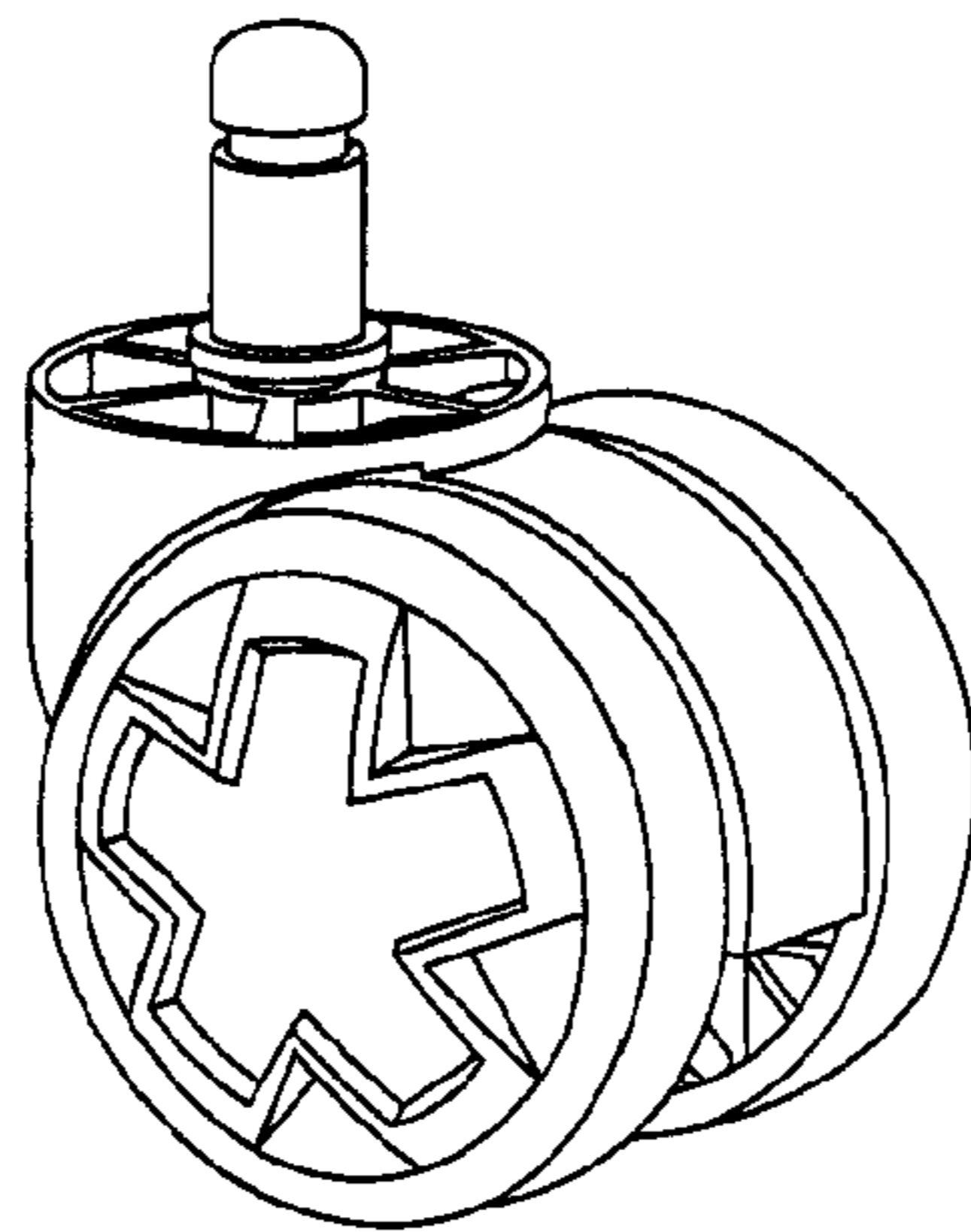


FIG. 7