



US00D556549S

(12) **United States Design Patent**
Walter

(10) **Patent No.:** **US D556,549 S**
(45) **Date of Patent:** **** Dec. 4, 2007**

(54) **DISPLAY RACK COMPONENT**

(75) Inventor: **Herbert Walter**, Müllheim (DE)

(73) Assignee: **Visplay International AG**

(**) Term: **14 Years**

(21) Appl. No.: **29/236,175**

(22) Filed: **Aug. 12, 2005**

(30) **Foreign Application Priority Data**

Feb. 13, 2005 (CH) 131 606

(51) **LOC (8) Cl.** **08-05**

(52) **U.S. Cl.** **D8/363**

(58) **Field of Classification Search** D8/363,
D8/373; 248/220.22, 220.41–220.43

See application file for complete search history.

(56) **References Cited**

U.S. PATENT DOCUMENTS

D488,708 S * 4/2004 Lam et al. D8/363
D529,372 S * 10/2006 Kendall D8/363

FOREIGN PATENT DOCUMENTS

DE 202 02 856 U1 6/2002
DE 202 02 761 U1 7/2002
DE 203 19 266 U1 4/2004
DE 20 2004 004 783 U1 7/2004
DE 20 2004 017 332 U1 3/2005
WO WO 99/20094 4/1999
WO WO 2006/086 897 A1 8/2006

* cited by examiner

Primary Examiner—Holly H. Baynham

(74) *Attorney, Agent, or Firm*—McCarter & English, LLP

(57) **CLAIM**

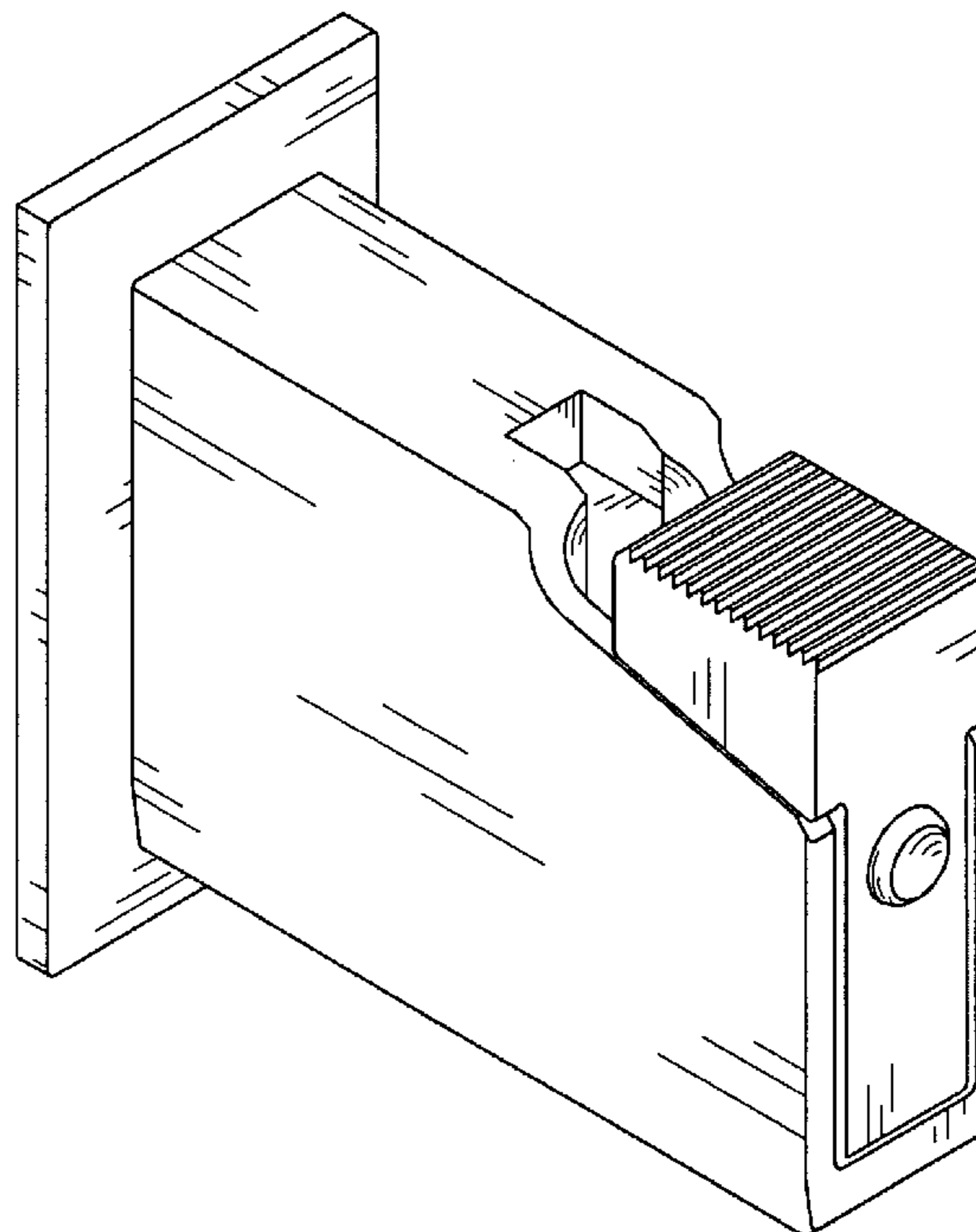
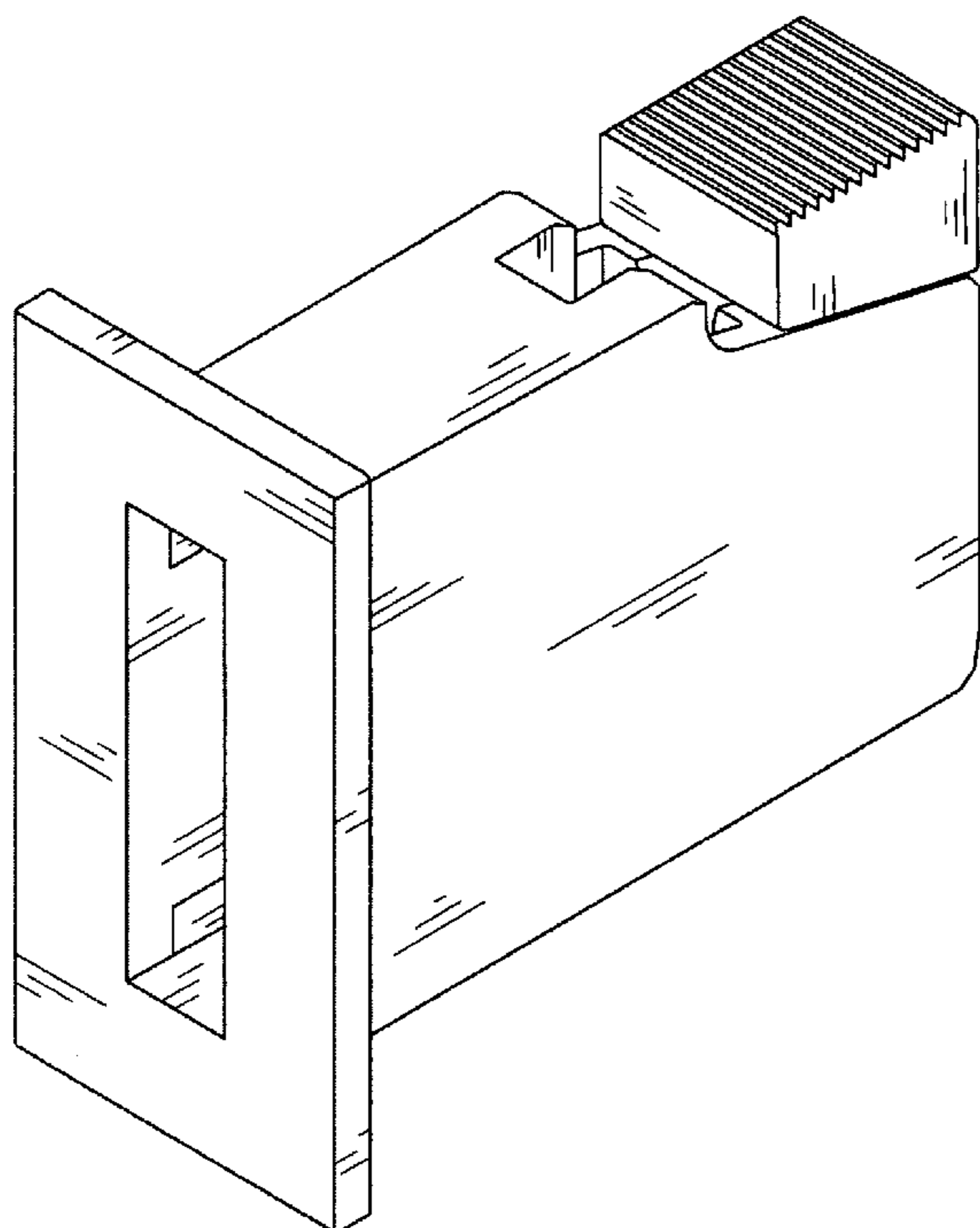
The ornamental design for display rack component, as shown and described.

DESCRIPTION

FIG. 1 is a front perspective view of a display rack component showing my new design; and,

FIG. 2 is a rear perspective view thereof.

1 Claim, 2 Drawing Sheets



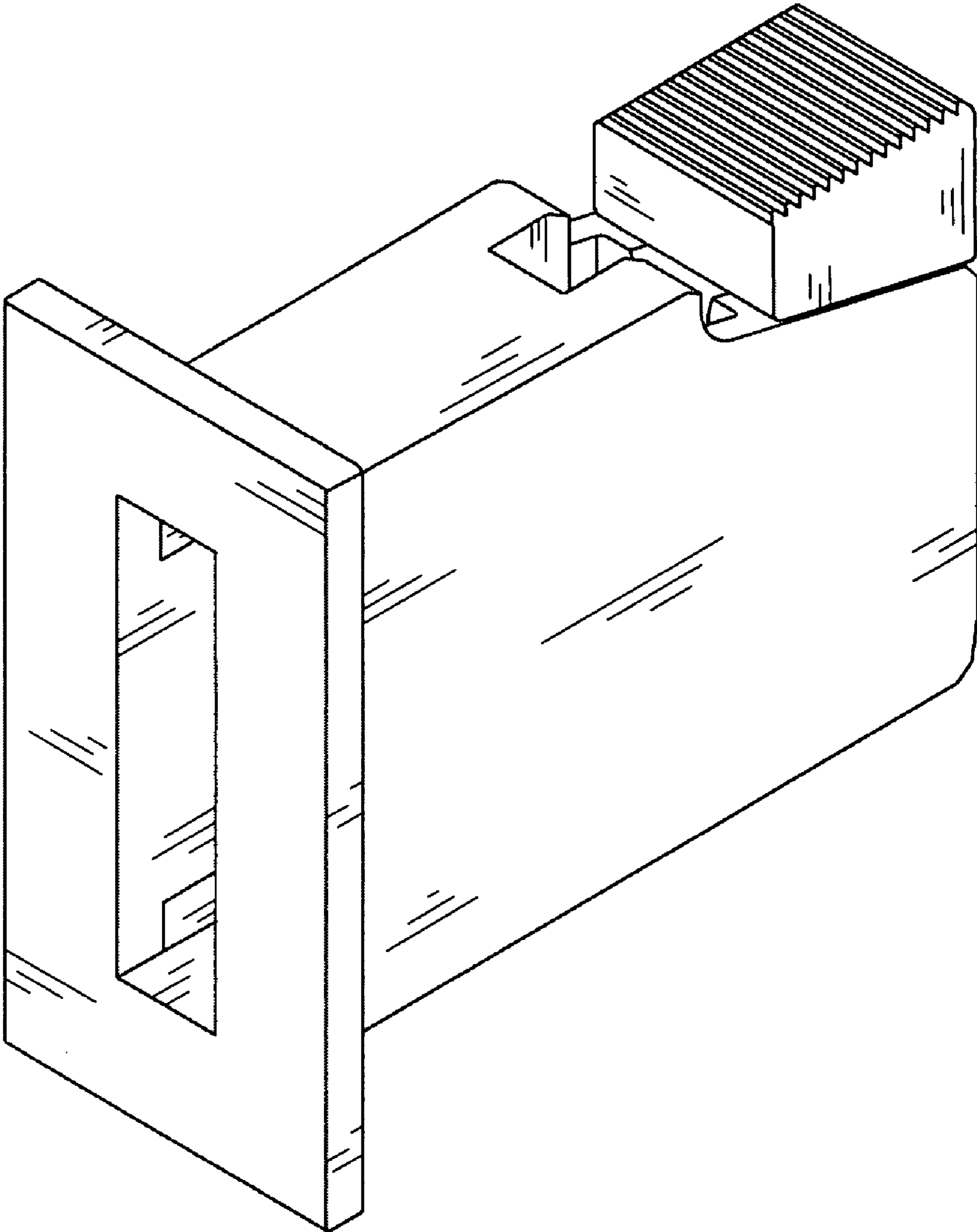


FIG. 1

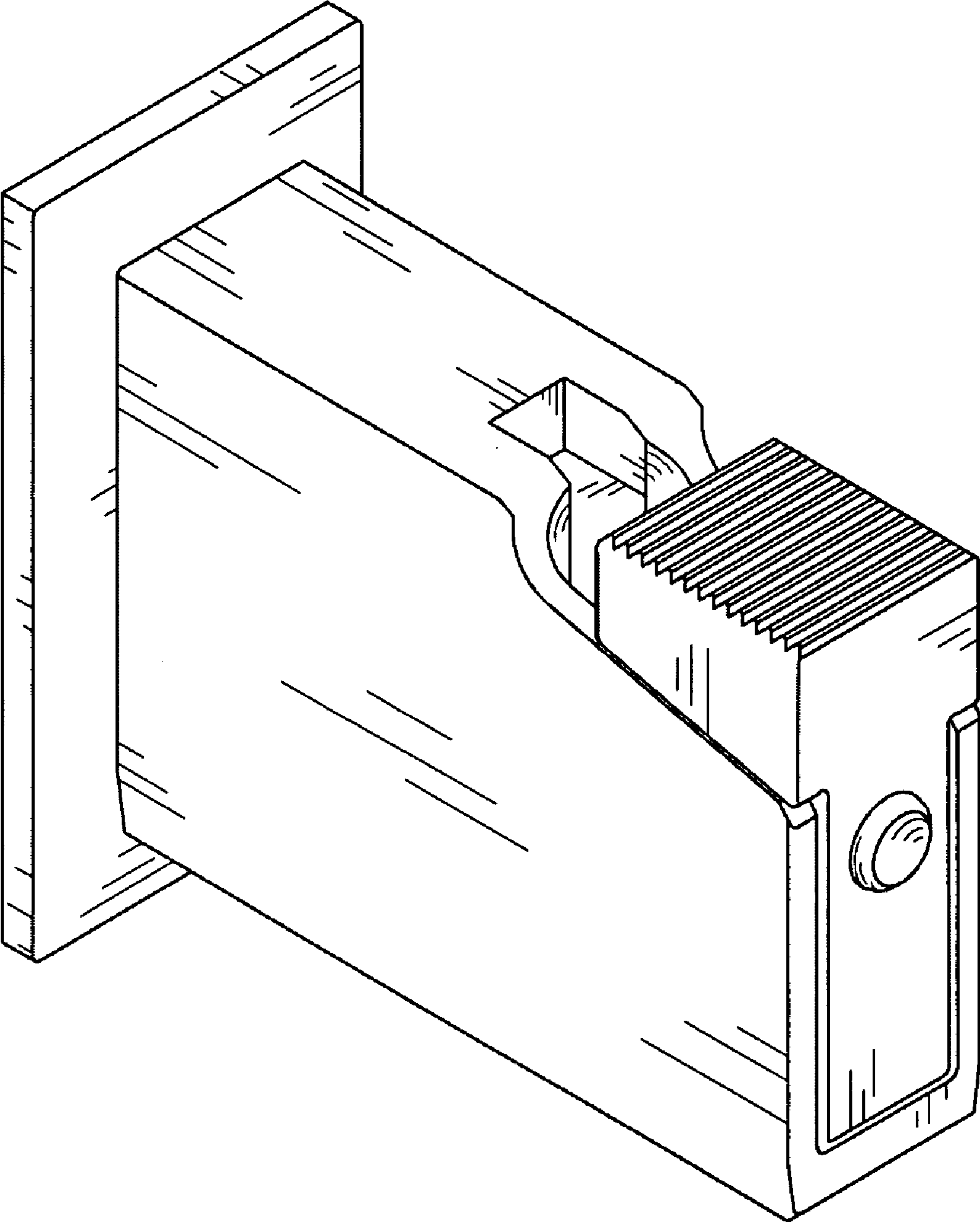


FIG. 2